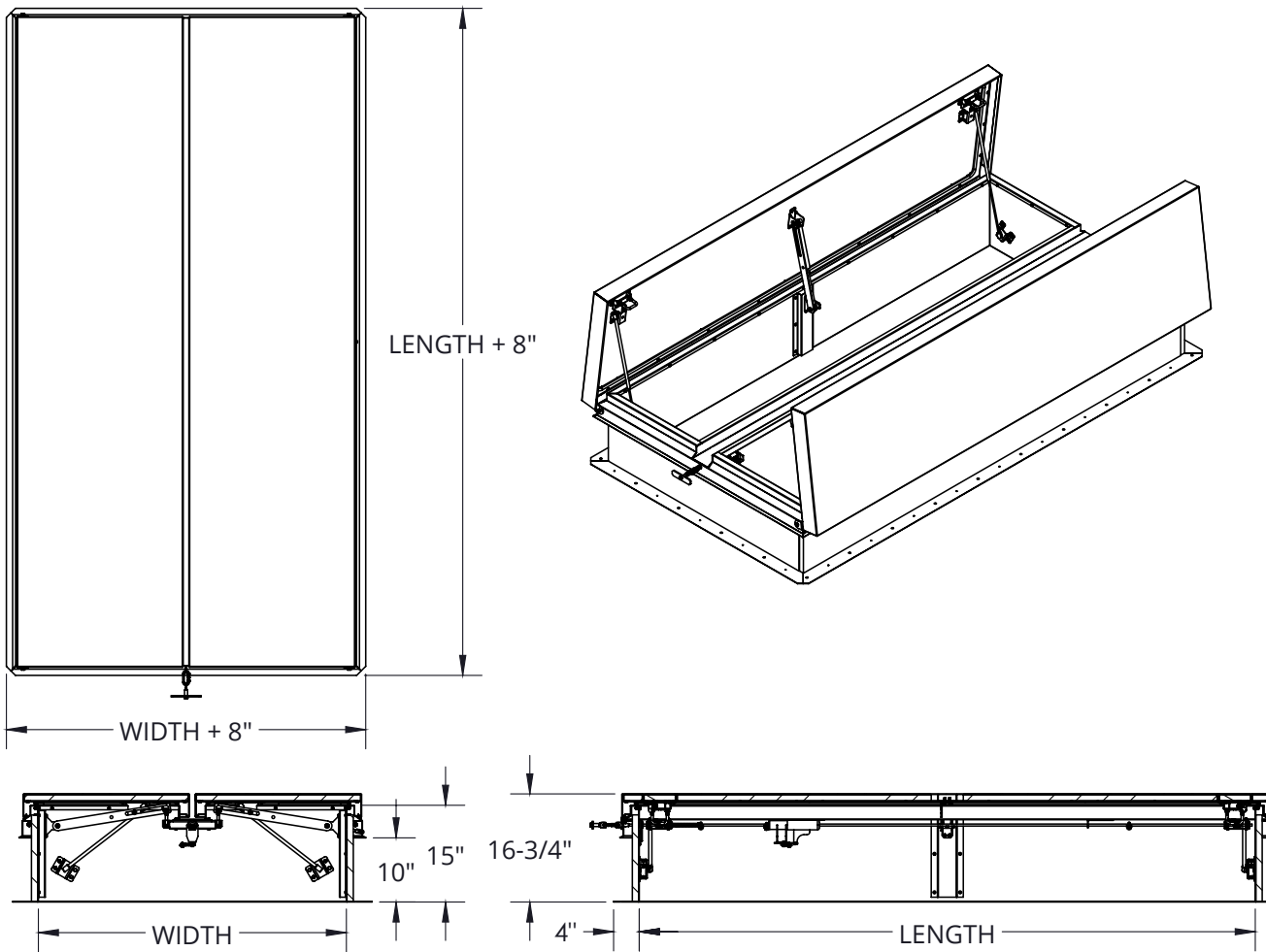


## ROOF ACCESSORIES - FARHRENHEIT™ SERIES SMOKE VENT - RVF

Our UL 793 listed double door smoke vents automatically open during a fire with a heat responsive device, releasing harmful smoke and fumes. Smoke vents are required as referenced in International Building Code section 410 for stages, platforms and technical production areas and section 910 for smoke and heat removal in storage and warehouse occupancies.



### SPECIFICATIONS:

#### Material:

**Curb:** 14 gauge galvalneal steel

**Cover:** 11 gauge aluminum with 18 gauge aluminum cover liner

**Finish:** Silver textured powder coat paint

**Gasket:** Continuous, weatherproof EPDM sponge rubber adhesive-backed seal

**Insulation:** 1" polyisocyanurate (R-6) on curb and in cover

**Hinge:** Heavy-duty aluminum hinge with bolt pin

**Hold-Open Arm:** Clear zinc-plated steel hold-open arm

**Latch:** Rotary latch mechanism designed to hold covers closed against 90psf wind uplift. Opens manually with internal and external manual pull handles and automatically with fusible link

**Fusible Link:** 165° UL 33 listed fusible link

**Spring:** Gas springs with dampers automatically open against 10PSF snow load

#### Sizes:

**Minimum:** 48" x 48"

**Maximum:** 48" x 96"

**ROOF OPENING = ORDER SIZE**

#### CERTIFICATIONS:

UL 793 listed and labeled up to 48" x 96"

#### OPTIONS & ACCESSORIES:

**Options:** Double wall curb, curb mount, 2" polyisocyanurate curb and cover, electrical/thermal McCabe® links, various fuse link temperatures

**Accessories:** Security grille



**DUR-RED PRODUCTS**

9702 Newton Avenue S, Bloomington, MN 55431

800-554-6077

sales@activarcpg.com

www.activarcpg.com

Distributor:

Project:

Contractor:

Approved By:

Date:

Architect:

Scale: N/A

Pages: 1 of 2

Item #:

# ROOF ACCESSORIES - FARHRENHEIT™ SERIES SMOKE VENT - RVF

## COMMON SIZES

QTY	MODEL	CURB OPENING Width x Length	WEIGHT Lbs.
	<b>RVFGA-4848ST</b>	48" x 48"	225
	<b>RVFGA-4860ST</b>	48" x 60"	250
	<b>RVFGA-4872ST</b>	48" x 72"	275
	<b>RVFGA-4890ST</b>	48" x 90"	315
	<b>RVFGA-4896ST</b>	48" x 96"	330

More sizes available upon request

## MADE-TO-ORDER RVF - EXAMPLE: RVFGA-4860ST-ITL2LO

QTY	MODEL	MATERIAL	WIDTH (max 48")	LENGTH (max 96")	FINISH*	OPTIONS	OPTIONAL MCCABE® LINK	OPTIONAL MELT OUT FUSE LINK
	<b>RVF</b>	<b>GA</b> Steel Curb, Aluminum Cover			<b>ST</b> Powder Coat Silver Textured	<b>CD</b> Double wall curb <b>CM</b> Curb mount <b>IT</b> 2" polyisocyanurate on curb <b>ITT</b> 2" polyisocyanurate on curb & cover	<b>L165L</b> 165° F 24VDC <b>L165H</b> 165° F 115VAC <b>L212L</b> 212° F 24VDC <b>L212H</b> 212° F 115VAC <b>L285L</b> 285° F 24VDC <b>L285H</b> 285° F 115VAC	<b>L212</b> 212° F <b>L280</b> 280° F <b>L350</b> 350° F <b>L360</b> 360° F <b>L370</b> 370° F <b>L386</b> 386° F <b>L450</b> 450° F

\*Additional UL 1332 approved finish colors available upon request



## SECURITY GRILLE, ORDERED SEPARATELY MADE-TO-ORDER - EXAMPLE: RSGD-4896ST

QTY	MODEL	Size (W x H)	FINISH
	<b>RSGD</b> Drop-in grille 1/2" diameter spaced 6" x 12"	4848 (48" x 48")	<b>ST</b> Silver Textured
	<b>RRGB</b> Bolt-in grille 1/2" diameter spaced 6" x 12"	4872 (48" x 72")	
		4890 (48" x 90")	
		4896 (48" x 96")	

It is the responsibility of the customer to communicate specifications and product performance requirements that are needed for their application. This document is intended to convey potential product configurations and offerings. It is not to be used to imply or represent a specification or rating, of finished products shipped. Detailed, specific submittals can be created upon request. It is the responsibility of the customer to specify product accordingly to comply with local laws, codes, and ordinances.