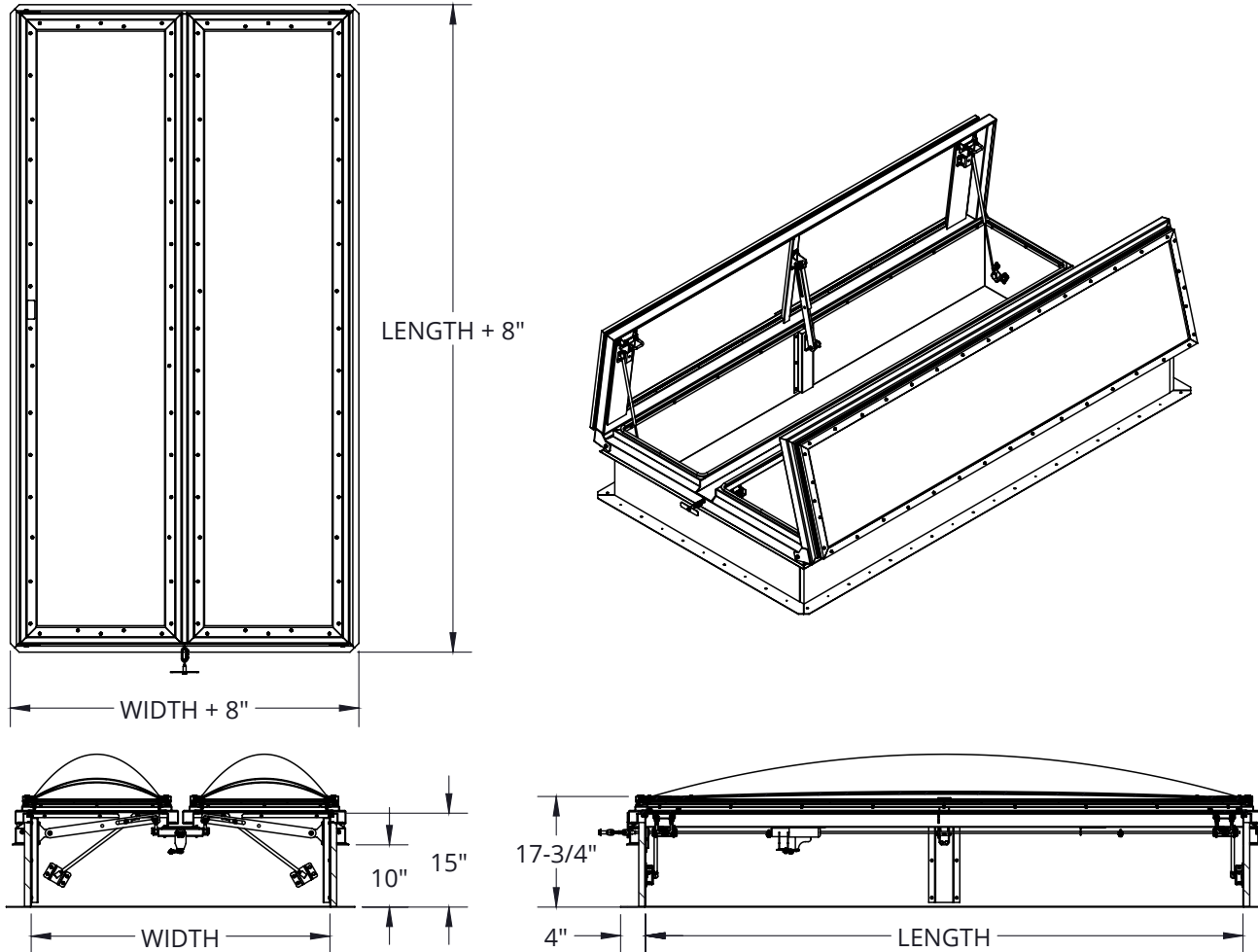


## ROOF ACCESSORIES - FARHRENHEIT™ SERIES DOMED SMOKE VENT - RVFV

Our UL 793 Listed double door domed smoke vents provide natural daylighting where smoke vents are installed. Smoke vents automatically open during a fire with a heat responsive device, releasing harmful smoke and fumes. Smoke vents are required as referenced in International Building Code section 910 for smoke and heat removal in storage and warehouse occupancies.



### SPECIFICATIONS:

#### Material:

**Curb:** 14 gauge galvalneal steel

**Cover:** Polycarbonate domes with aluminum extrusion frame

**Finish:** Silver textured powder coat paint

**Dome:** Clear over white polycarbonate

**Gasket:** Continuous, weatherproof EPDM sponge rubber adhesive-backed seal

**Insulation:** 1" polyisocyanurate (R-6) on curb

**Hinge:** Heavy-duty aluminum hinge with bolt pin

**Hold-Open Arm:** Clear zinc-plated steel hold-open arm

**Latch:** Rotary latch mechanism designed to hold covers closed against 90psf wind uplift. Opens manually with internal and external manual pull handles and automatically with fusible link.

**Manual Release:** Interior and exterior manual release

**Fusible Link:** 165° UL 33 listed fusible link

**Spring:** Gas springs with dampers automatically open doors against 10PSF snow load

#### Sizes:

**Minimum:** 48" x 48"

**Maximum:** 48" x 96"

**ROOF OPENING = ORDER SIZE**

#### CERTIFICATIONS:

UL 793 listed and labeled up to 48" x 96"

#### OPTIONS & ACCESSORIES:

##### Options:

**Hatch:** Double wall curb, curb mount, 2" polyisocyanurate on curb, electrical/thermal McCabe® links, various fuse link temperatures

**Accessories:** Security grille



**DUR-RED PRODUCTS**

9702 Newton Avenue S, Bloomington, MN 55431

800-554-6077

sales@activarcp.com

www.activarcp.com

Distributor:

Project:

Contractor:

Approved By:

Date:

Architect:

Scale: N/A

Pages: 1 of 2

Item #:

# ROOF ACCESSORIES - FARHRENHEIT™ SERIES DOMED SMOKE VENT - RVFV

## COMMON SIZES

QTY	MODEL	CURB OPENING Width x Length	WEIGHT Lbs.
	RVFVGA-4848ST	48" x 48"	240
	RVFVGA-4860ST	48" x 60"	270
	RVFVGA-4872ST	48" x 72"	300
	RVFVGA-4890ST	48" x 90"	345
	RVFVGA-4896ST	48" x 96"	355

More sizes available upon request

## MADE-TO-ORDER RVF - EXAMPLE: RVFVGA-4860ST-VAW

QTY	MODEL	MATERIAL	WIDTH (max 48")	LENGTH (max 96")	FINISH*	OPTIONS	OPTIONAL MCCABE® LINK	OPTIONAL MELT-OUT FUSE LINK																																									
	RVFV	GA Steel Curb, Aluminum Cover			ST Powder Coat Silver Textured	<table border="1"> <tr> <td>CD</td> <td>Double wall curb</td> <td>L165L</td> <td>165° F 24VDC</td> <td>L212</td> <td>212° F</td> </tr> <tr> <td>CM</td> <td>Curb mount</td> <td>L165H</td> <td>165° F 115VAC</td> <td>L280</td> <td>280° F</td> </tr> <tr> <td>IT</td> <td>2" polyisocyanurate on curb</td> <td>L212L</td> <td>212° F 24VDC</td> <td>L350</td> <td>350° F</td> </tr> <tr> <td></td> <td></td> <td>L212H</td> <td>212° F 115VAC</td> <td>L360</td> <td>360° F</td> </tr> <tr> <td></td> <td></td> <td>L285L</td> <td>285° F 24VDC</td> <td>L370</td> <td>370° F</td> </tr> <tr> <td></td> <td></td> <td>L285H</td> <td>285° F 115VAC</td> <td>L386</td> <td>386° F</td> </tr> <tr> <td></td> <td></td> <td></td> <td></td> <td>L450</td> <td>450° F</td> </tr> </table>	CD	Double wall curb	L165L	165° F 24VDC	L212	212° F	CM	Curb mount	L165H	165° F 115VAC	L280	280° F	IT	2" polyisocyanurate on curb	L212L	212° F 24VDC	L350	350° F			L212H	212° F 115VAC	L360	360° F			L285L	285° F 24VDC	L370	370° F			L285H	285° F 115VAC	L386	386° F					L450	450° F	
CD	Double wall curb	L165L	165° F 24VDC	L212	212° F																																												
CM	Curb mount	L165H	165° F 115VAC	L280	280° F																																												
IT	2" polyisocyanurate on curb	L212L	212° F 24VDC	L350	350° F																																												
		L212H	212° F 115VAC	L360	360° F																																												
		L285L	285° F 24VDC	L370	370° F																																												
		L285H	285° F 115VAC	L386	386° F																																												
				L450	450° F																																												

\*Additional UL 1332 approved finish colors available upon request



## SECURITY GRILLE, ORDERED SEPARATELY MADE-TO-ORDER - EXAMPLE: RSGD-4896ST

QTY	MODEL	Size (W x H)	FINISH
	RSGD	Drop-in grille 1/2" diameter spaced 6" x 12"	ST Silver Textured
	R BGB	Bolt-in grille 1/2" diameter spaced 6" x 12"	
		4848 (48" x 48")	
		4872 (48" x 72")	
		4890 (48" x 90")	
		4896 (48" x 96")	

It is the responsibility of the customer to communicate specifications and product performance requirements that are needed for their application. This document is intended to convey potential product configurations and offerings. It is not to be used to imply or represent a specification or rating, of finished products shipped. Detailed, specific submittals can be created upon request. It is the responsibility of the customer to specify product accordingly to comply with local laws, codes, and ordinances.