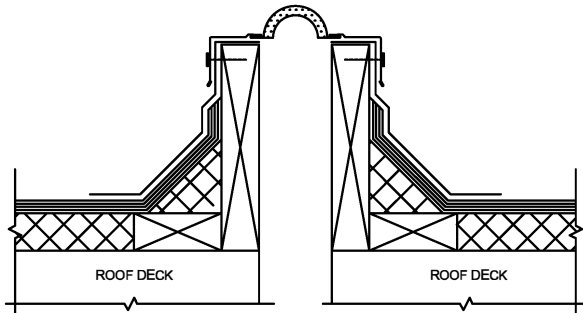
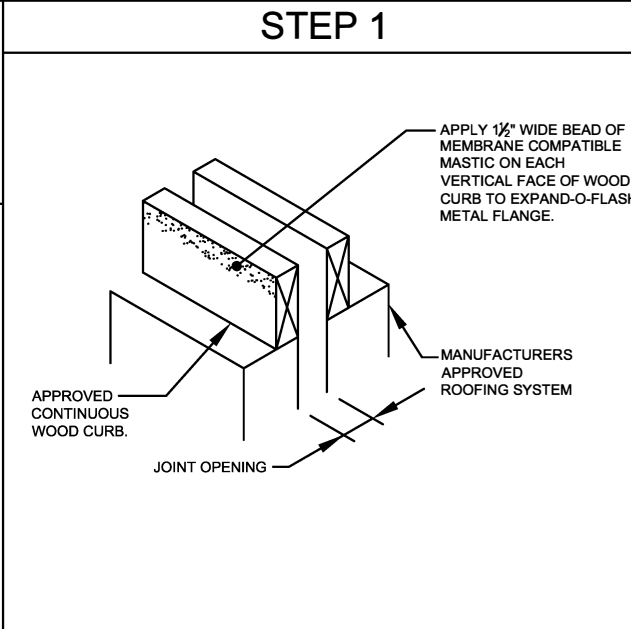


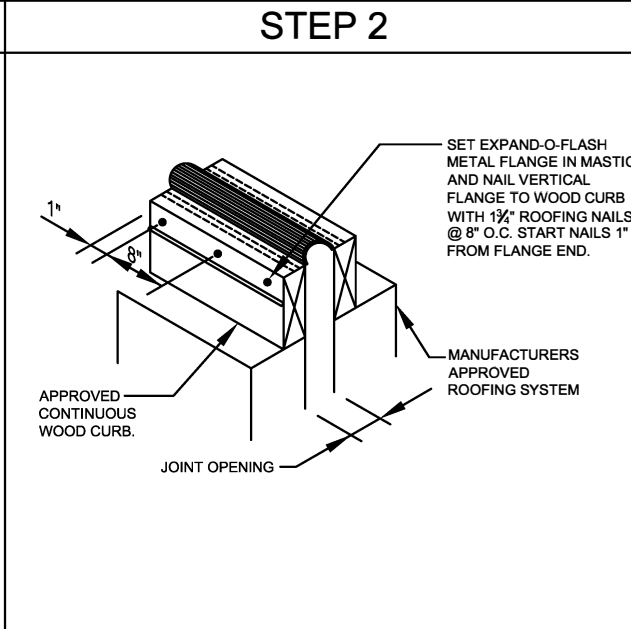
**EXPAND-O-FLASH
CURB TO CURB
FLANGE STYLE CF
INSTALLATION INSTRUCTIONS**



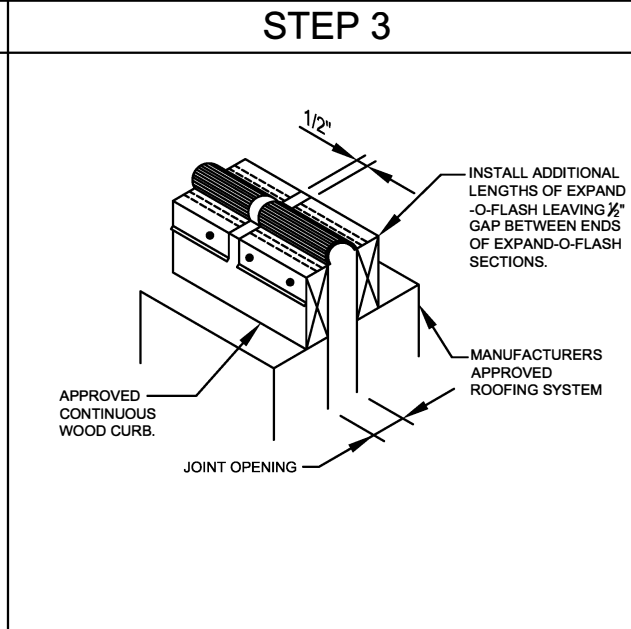
SEE INSTALLATION ADDENDUM 'A' FOR BELLOWS SIZES 18" AND GREATER



APPLY MEMBRANE COMPATIBLE MASTIC ON HORIZONTAL SURFACE OF ROOF CURB TO RECEIVE EXPAND-O-FLASH METAL FLANGE. INSTALL ONE EXPAND-O-FLASH FLANGE AT A TIME.



SET EXPAND-O-FLASH FLANGE IN MEMBRANE COMPATIBLE MASTIC AND NAIL TO VERTICAL SURFACE OF ROOF CURB W/ (1) 1 3/4" ROOF NAIL @ 8" O.C. START NAILS 1" FROM FLANGE END.
*REPEAT STEPS 1 AND 2 AS REQUIRED BEING SURE TO PROVIDE 1/2" GAP BETWEEN ENDS OF EXPAND-O-FLASH SECTIONS. SEE STEP 3.

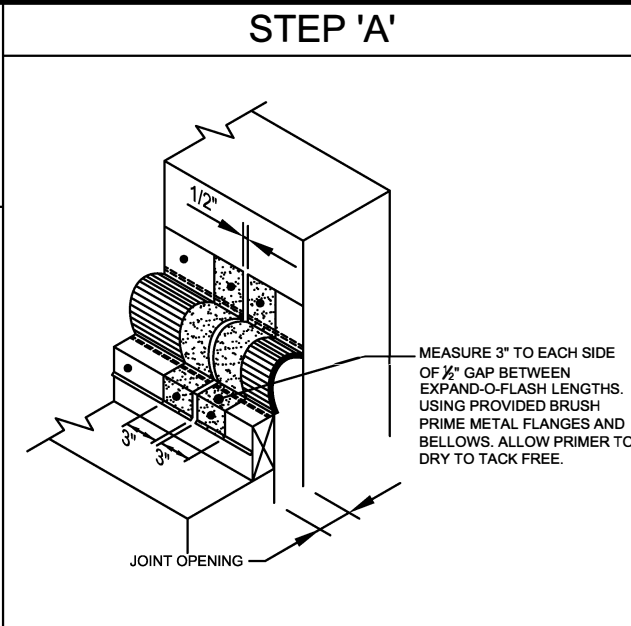


REPEAT STEPS 1 AND 2 FOR REMAINING SECTIONS OF EXPAND-O-FLASH BEING SURE TO PROVIDE 1/2" GAP BETWEEN ENDS OF EXPAND-O-FLASH SECTIONS.

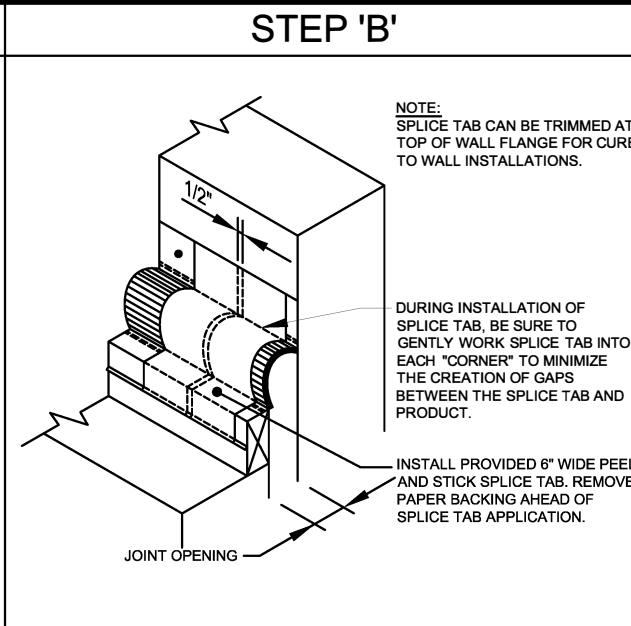
**EXPAND-O-FLASH SPLICING
INSTALLATION INSTRUCTIONS**

GENERAL NOTES:

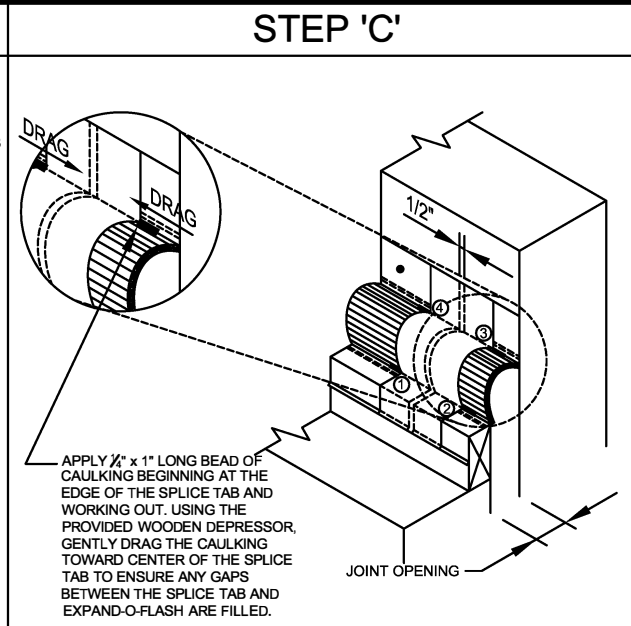
- THESE INSTALLATION INSTRUCTIONS REPRESENT THE CORRECT INSTALLATION PROCEDURE FOR A 6" WIDE SPLICE TAB WHICH IS INCLUDED FOR BELLOWS SIZES 4" THRU 12". THE DIMENSIONS INDICATED IN THESE INSTRUCTIONS MUST BE ADJUSTED ACCORDINGLY FOR BELLOWS SIZES LARGER THAN 12" WHICH WILL INCLUDE A 9" WIDE SPLICE TAB.



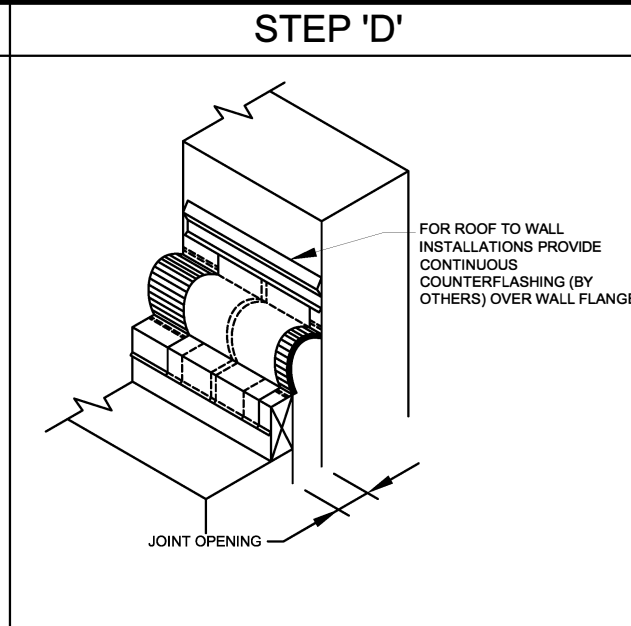
MEASURE 3" TO EACH SIDE OF 1/2" GAP BETWEEN EXPAND-O-FLASH LENGTHS. USING PROVIDED BRUSH PRIME METAL FLANGES AND BELLOWS. ALLOW PRIMER TO DRY TO TACK FREE. TYPICAL @ EACH SPLICE LOCATION.



INSTALL PROVIDED 6" WIDE PEEL AND STICK SPLICE TAB. REMOVE PAPER BACKING AHEAD OF SPLICE TAB APPLICATION.



APPLY 1/4" x 1" LONG BEAD OF CAULKING BEGINNING AT THE EDGE OF THE SPLICE TAB AND WORKING OUT. USING THE PROVIDED WOODEN DEPRESSOR, GENTLY DRAG THE CAULKING TOWARD CENTER OF THE SPLICE TAB TO ENSURE ANY GAPS BETWEEN THE SPLICE TAB AND EXPAND-O-FLASH ARE FILLED. TYPICAL @ FOUR LOCATION PER SPLICE TAB AND TYPICAL @ EACH SPLICED LOCATION.



FOR ROOF TO WALL INSTALLATIONS PROVIDE CONTINUOUS COUNTERFLASHING (BY OTHERS) OVER WALL FLANGE.

INSTALLATION INSTRUCTION NOTES:

- INSTALL ALL FACTORY FABRICATED INTERSECTIONS AND TRANSITIONS FIRST. FOLLOW THE APPROPRIATE STEPS INCLUDED IN THESE INSTALLATION INSTRUCTION FOR THESE ITEMS.
- LEAVE 1/2" GAP BETWEEN THE START OF STRAIGHT EXPAND-O-FLASH SECTION AND ALL INTERSECTIONS AND TRANSITIONS.
- THE BUILDING/ROOF SURFACES TO WHICH THE EXPAND-O-FLASH IS TO BE INSTALLED SHOULD BE SMOOTH, CLEAN AND FREE OF ANY DIRT AND DEBRIS.
- INSTALL EXPAND-O-FLASH WITH THE FOAM BACKER FACING THE INSIDE OF BUILDING. DO NOT EXPOSE FOAM TO WEATHER.
- SEE SPLICING INSTRUCTIONS ABOVE, FOR TYPICAL
- SEE INSTALLATION ADDENDUM 'A' ON PAGE 2 FOR BELLOWS SIZES 18" AND GREATER

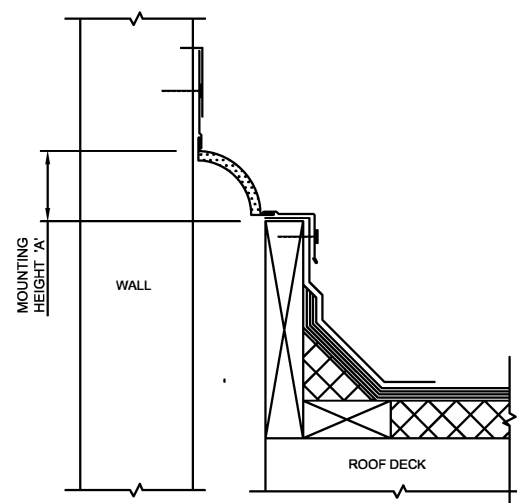
DRAWING NO. INST-EOF-CF-CC	SCALE NTS	ISSUE DATE 5/14/12	REV. NO. #4 on 09/9/20
PAGE 1		CAD FILE: EOF INSTALL INSTRUCTIONS.DWG	

EXPAND-O-FLASH (STYLE CF; CURB TO CURB) INSTALLATION INSTRUCTIONS

Johns Manville is a Manufacturer of commercial roofing products and offers this general conceptual information to you as a courtesy. This complimentary assistance is not to be used or relied upon by anyone as a substitute for professional engineering design and documentation required by building code, contract, or applicable law. By accepting these comments you agree they do not constitute any representations, endorsements of, or an assumption by Johns Manville of any liability for either the adequacy of the design of this building or any other material not supplied by Johns Manville.



**EXPAND-O-FLASH
CURB TO WALL
FLANGE STYLE CF/EJ
INSTALLATION INSTRUCTIONS**



SEE INSTALLATION ADDENDUM 'A' FOR BELLOWS SIZES 18" AND GREATER

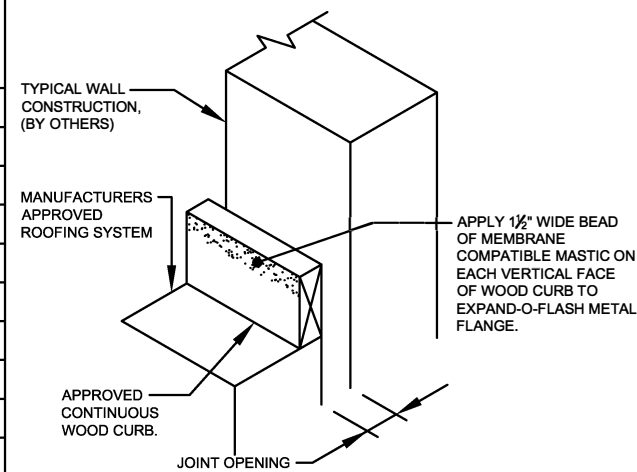
MOUNTING HEIGHT 'A'

BELLOWS MOUNTING HEIGHT 'A' FOR ROOF TO WALL ATTACHMENT

BELLOWS WIDTH	MOUNTING HEIGHT 'A'
4"	2 1/2"
6"	3 3/4"
8"	5 1/8"
10"	6 3/8"
12"	7 1/2"
14"	8 3/4"
16"	10 1/4"
18"	11 1/2"
20"	12 3/4"
22"	14"
24"	15 1/4"

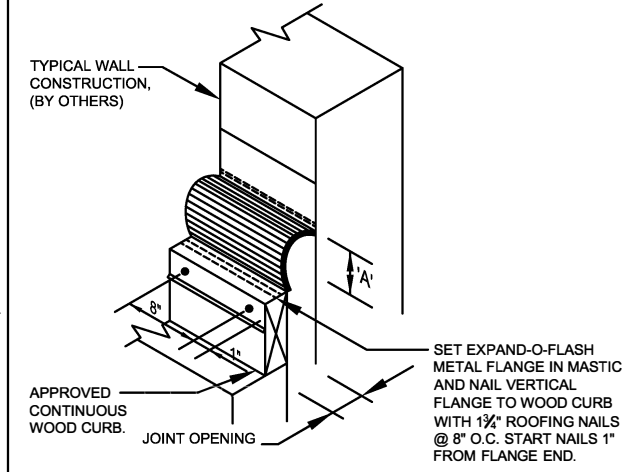
THE MOUNTING HEIGHT PROVIDED ABOVE ARE APPLICABLE FOR ANY CONDITION IN WHICH THE EXPAND-O-FLASH IS BEING MOUNTED IN A ROOF TO WALL CONDITION.

STEP 1



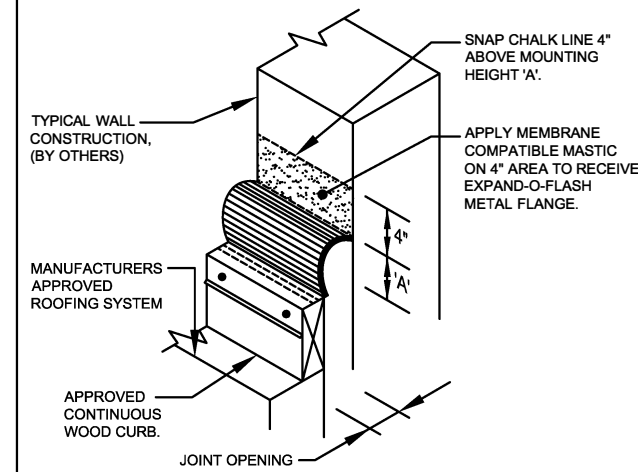
APPLY MEMBRANE COMPATIBLE MASTIC ON HORIZONTAL SURFACE OF ROOF CURB TO RECEIVE EXPAND-O-FLASH METAL FLANGE. INSTALL ONE EXPAND-O-FLASH FLANGE AT A TIME.

STEP 2



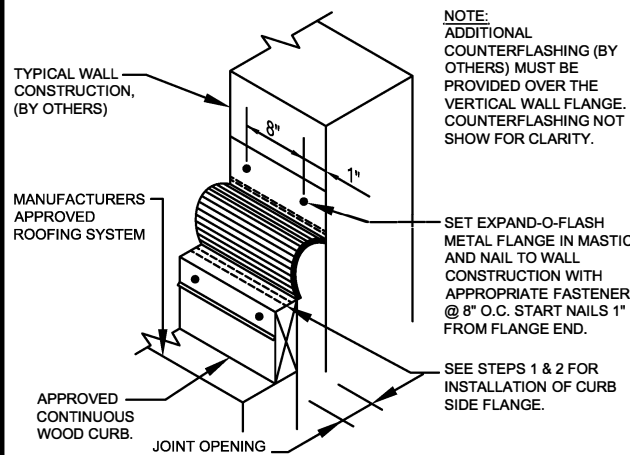
SET EXPAND-O-FLASH FLANGE IN MEMBRANE COMPATIBLE MASTIC AND NAIL TO VERTICAL SURFACE OF ROOF CURB W/ (1) 1 3/4" ROOF NAIL @ 8" O.C. START NAILS 1" FROM FLANGE END.

STEP 3



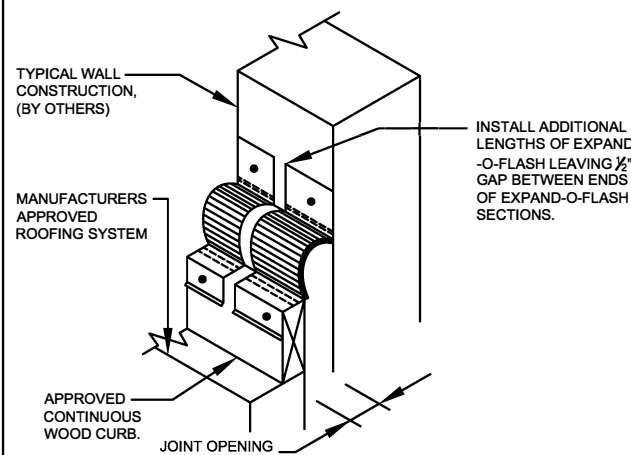
FOLD OVER WALL FLANGE TO GAIN ACCESS TO ATTACHMENT LOCATION. SNAP CHALK LINE 4" ABOVE MOUNTING HEIGHT 'A'. SEE MOUNTING HEIGHT 'A' CHART FOR CORRECT DIMENSION. APPLY MEMBRANE COMPATIBLE MASTIC ON 4" WIDE AREA TO RECEIVE EXPAND-O-FLASH METAL WALL FLANGE.

STEP 4



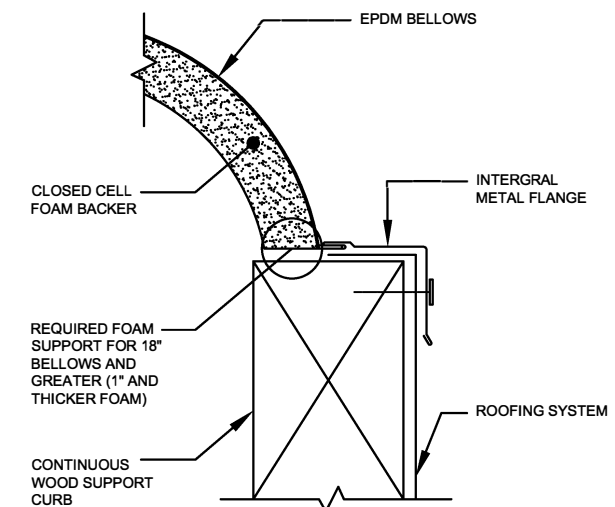
SET EXPAND-O-FLASH WALL FLANGE IN MEMBRANE COMPATIBLE MASTIC AND NAIL TO WALL CONSTRUCTION W/ (1) APPROPRIATE FASTENER @ 8" O.C. START FASTENERS 1" FROM FLANGE END.

STEP 5



REPEAT STEPS 1 THRU 4 FOR REMAINING SECTIONS OF EXPAND-O-FLASH BEING SURE TO PROVIDE 1/2" GAP BETWEEN ENDS OF EXPAND-O-FLASH SECTIONS.

INSTALLATION ADDENDUM 'A'



INSTALLATION INSTRUCTION NOTES:

- INSTALL ALL FACTORY FABRICATED INTERSECTIONS AND TRANSITIONS FIRST. FOLLOW THE APPROPRIATE STEPS INCLUDED IN THESE INSTALLATION INSTRUCTION FOR THESE ITEMS.
- LEAVE 1/2" GAP BETWEEN THE START OF STRAIGHT EXPAND-O-FLASH SECTION AND ALL INTERSECTIONS AND TRANSITIONS.
- THE BUILDING/ROOF SURFACES TO WHICH THE EXPAND-O-FLASH IS TO BE INSTALLED SHOULD BE SMOOTH, CLEAN AND FREE OF ANY DIRT AND DEBRIS.
- INSTALL EXPAND-O-FLASH WITH THE FOAM BACKER FACING THE INSIDE OF BUILDING. DO NOT EXPOSE FOAM TO WEATHER.
- SEE SPlicing INSTRUCTIONS ON REVERSE, FOR TYPICAL
- SEE INSTALLATION ADDENDUM 'A' ON PAGE 2 FOR BELLOWS SIZES 18" AND GREATER

DRAWING NO. INST-EOF-CF-CW	SCALE NTS	ISSUE DATE 5/14/12	REV. NO. #4 on 09/9/20
PAGE 2		CAD FILE: EOF INSTALL INSTRUCTIONS.DWG	

EXPAND-O-FLASH (STYLE CF/EJ; CURB TO WALL) INSTALLATION INSTRUCTIONS

Johns Manville is a Manufacturer of commercial roofing products and offers this general conceptual information to you as a courtesy. This complimentary assistance is not to be used or relied upon by anyone as a substitute for professional engineering design and documentation required by building code, contract, or applicable law. By accepting these comments you agree they do not constitute any representations, endorsements of, or an assumption by Johns Manville of any liability for either the adequacy of the design of this building or any other material not supplied by Johns Manville.

