



# GoBoard® Membrane



*Compatible with all GoBoard products*

GoBoard Membrane is a flexible and light weight waterproofing and crack isolation membrane constructed from a 100 micron polyethylene waterproofing membrane laminated to polypropylene non-woven fabric on both sides. GoBoard Membrane provides an excellent waterproofing substrate for unmodified and modified thin-set mortars used to bond ceramic, porcelain and stone tiles.



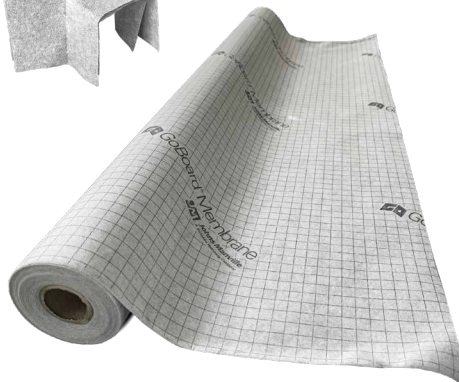
**GoBoard® Banding**  
4.9-in wide



**GoBoard® Curb Covers**  
5.5-in x 7.0-in x 2.5-in



**GoBoard® Corners**  
3.2-in x 5.5-in x 2.4-in



**GoBoard® Membrane**  
39.4-in x 32.8-ft , 0.022-in thickness

## USES

Use in residential and commercial areas including bathrooms, tubs, showers, laundry rooms, kitchens, backsplashes, balconies, patios and wet areas.

## APPROVED MATERIALS

**Substrate** - GoBoard products, cement backer board, gypsum wallboard, plaster walls, brick, cement blocks, concrete, mortar beds, and exterior grade plywood.

**Bonding** - Polymer modified thin-set mortar compliant with ANSI A118.4 and dry-set mortar compliant with ANSI A118.1. For GoBoard Corner, Banding, and Curb Cover, GoBoard Sealant and GoBoard Pro Sealant can be used when bonding to GoBoard, GoBoard Wedge, GoBoard Curb, and GoBoard Pro.

**Joint Sealing** - Overlap GoBoard Membrane a minimum of 2 inches or butt membrane joints and cover with GoBoard Banding. Use GoBoard Corner for both inside and outside corners and GoBoard Curb Cover for GoBoard Curb.

**Tools Needed** - Utility knife, scissors, pencil or pen, straight edge, speed square, measuring tape, 2 to 6 inch flat putty knives with blunt edges, 3/16-in x 5/32-in v-notch trowel, margin trowel, caulk gun, corded or cordless drill, thin-set mixing paddle and bucket.



FOLLOW US!



Download the complete installation instructions:  
[www.JM.com/GoBoard](http://www.JM.com/GoBoard)

## FEATURES

- Exceeds ANSI A118.10 requirements for waterproofing membranes
- Rated for residential and commercial steam rooms per ASTM E96, Method E
- ASTM C627 "Extra Heavy" rating
- Compatible with unmodified and modified thin-set mortars
- Compatible with all GoBoard products

## LIMITATIONS

- Non-structural and must be applied over substrates capable of supporting tile and stone installations. Substrate must not exceed L/360 deflection (L/720 for stone) under live loads.
- Do not install over expansion joints or cracks with vertical movement.
- Not intended as a finish surface and must be covered with ceramic, porcelain, or stone tiles. Do not cover with other materials.
- Do not use on substrates NOT listed in the Approved Materials Section.
- Not intended for continuously submerged applications.
- Only bond to substrates allowed by thin-set or adhesive manufacturer.

## SAFETY

Please wear gloves, safety glasses, long sleeve shirts, and long pants when installing GoBoard products. Temporary mechanical abrasion (itching) of skin, eyes and respiratory track may occur upon exposures to fibers or dust during handling of GoBoard.

## TECHNICAL DATA

Physical Property	Value*	Test Method
Thickness, in.	0.022	Internal
Material Weight, oz/y <sup>2</sup>	6.9	Internal
Fungus / Mold Resistance	Does not support growth	ANSI A118.10 4.1
Seam Strength, lbf/in. width	26	ANSI A118.10 4.2, ASTM D751
Breaking Strength, psi	>170	ANSI A118.10 4.3, ASTM D751
Dimensional Stability, % change	<0.7	ANSI A118.10 4.4 ASTM D1204
Waterproofness	No water penetration	ANSI A118.10 4.5 ASTM D4068 A2
Shear Strength, psi	>50 all conditions	ANSI A118.10 5.0 ASTM C482
System Performance	Extra Heavy	ANSI A118.10 6.0 ASTM C627
Water Vapor Transmission, perms	0.2	ASTM E96 Method E

\*Values for GoBoard Membrane and GoBoard Banding only.