

Design/System/Construction/Assembly Usage Disclaimer

- Authorities Having Jurisdiction should be consulted in all cases as to the particular requirements covering the installation and use of UL Certified products, equipment, system, devices, and materials.
- Authorities Having Jurisdiction should be consulted before construction.
- Fire resistance assemblies and products are developed by the design submitter and have been investigated by UL for compliance with applicable requirements. The published information cannot always address every construction nuance encountered in the field.
- When field issues arise, it is recommended the first contact for assistance be the technical service staff provided by the product manufacturer noted for the design. Users of fire resistance assemblies are advised to consult the general Guide Information for each product category and each group of assemblies. The Guide Information includes specifics concerning alternate materials and alternate methods of construction.
- Only products which bear UL's Mark are considered Certified.

BXUV - Fire Resistance Ratings - ANSI/UL 263 Certified for United States

BXUV7 - Fire Resistance Ratings - CAN/ULC-S101 Certified for Canada

See General Information for Fire-resistance Ratings - ANSI/UL 263 Certified for United States Design Criteria and Allowable Variances

See General Information for Fire Resistance Ratings - CAN/ULC-S101 Certified for Canada Design Criteria and Allowable Variances

Design No. **U347**

January 29, 2024

**Nonbearing Wall Rating — 2 Hr (See Items 5, 5A and 5B) (Separation Wall, See Items 1,2 and 3)**

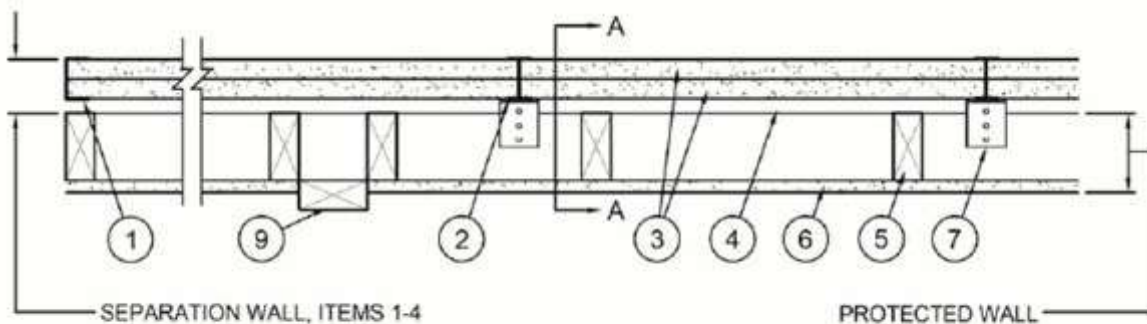
**Bearing Wall Rating 2 Hr. (Protected Wall, See Items 5 and 5A)**

**Nonbearing Wall Rating 2-Hr (Protected Wall, See Item 5, 5A and 5B)**

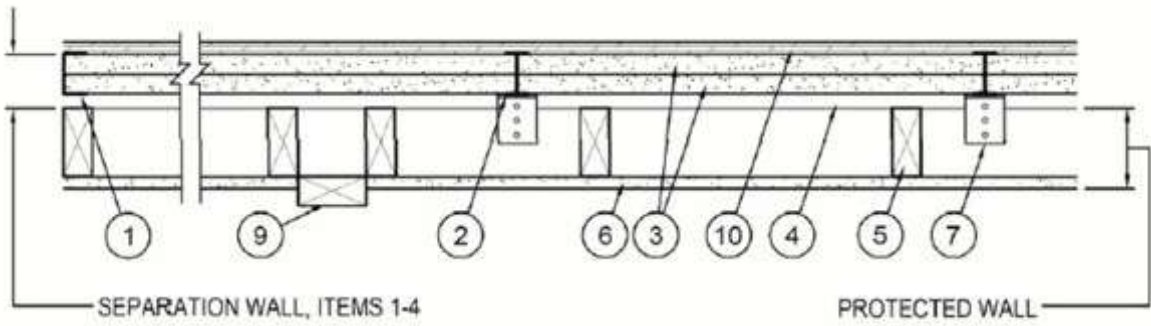
**Finish Rating — 120 Min (See Item 5)**

**STC Ratings — 61, 69, 70 (See Items 8, 8A and 8B)**

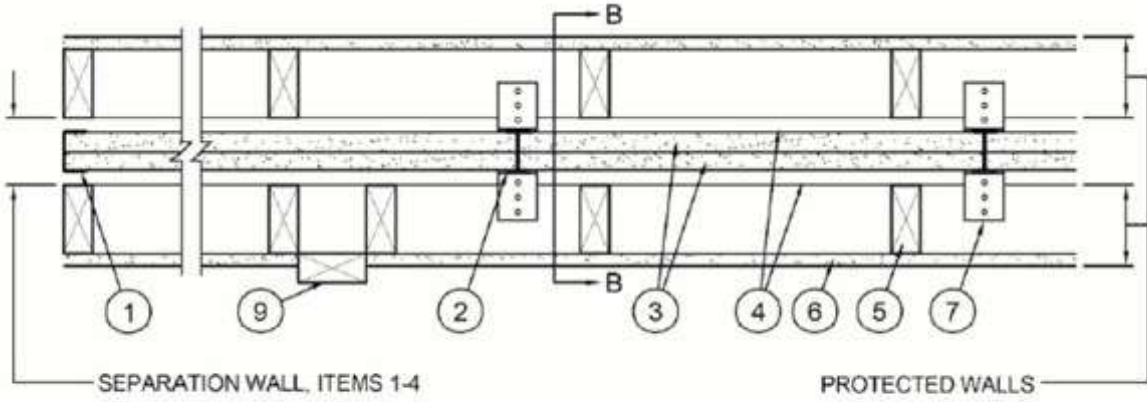
**\* Indicates such products shall bear the UL or cUL Certification Mark for jurisdictions employing the UL or cUL Certification (such as Canada), respectively.**



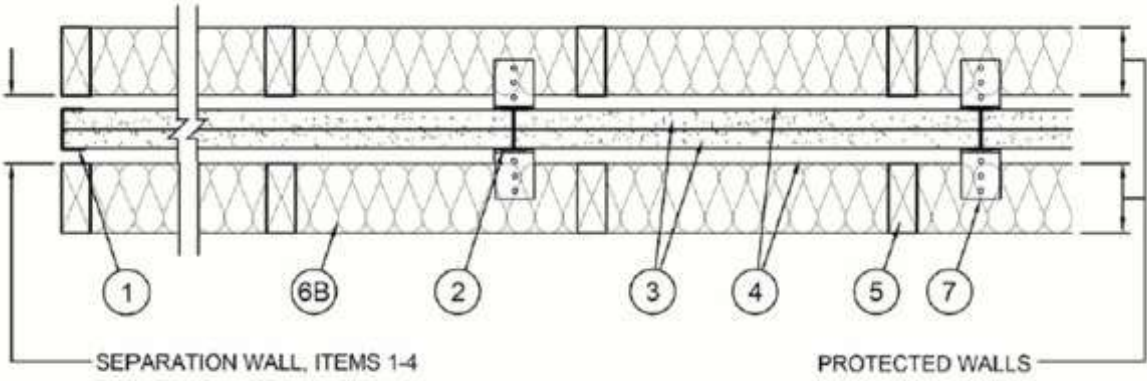
CONFIGURATION A  
EXPOSED TO FIRE FROM AREA SEPARATION WALL SIDE ONLY



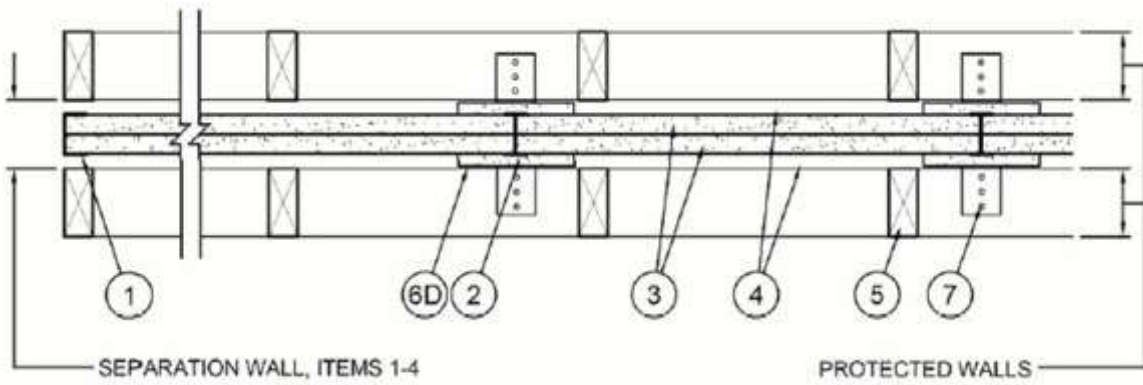
**CONFIGURATION B**  
EXPOSED TO FIRE FROM AREA SEPARATION WALL SIDE ONLY



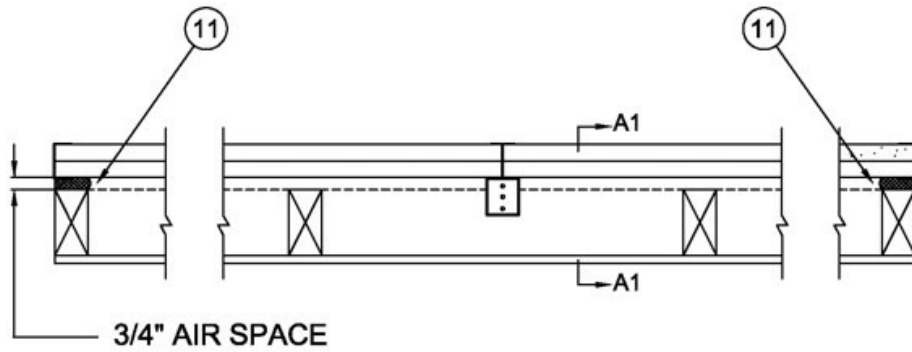
**CONFIGURATION C**  
EXPOSED TO FIRE FROM EITHER SIDE



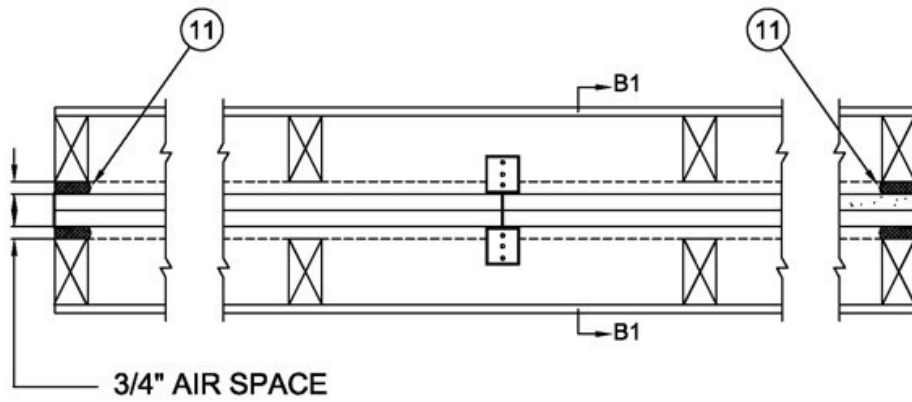
**CONFIGURATION D**  
EXPOSED TO FIRE FROM EITHER SIDE



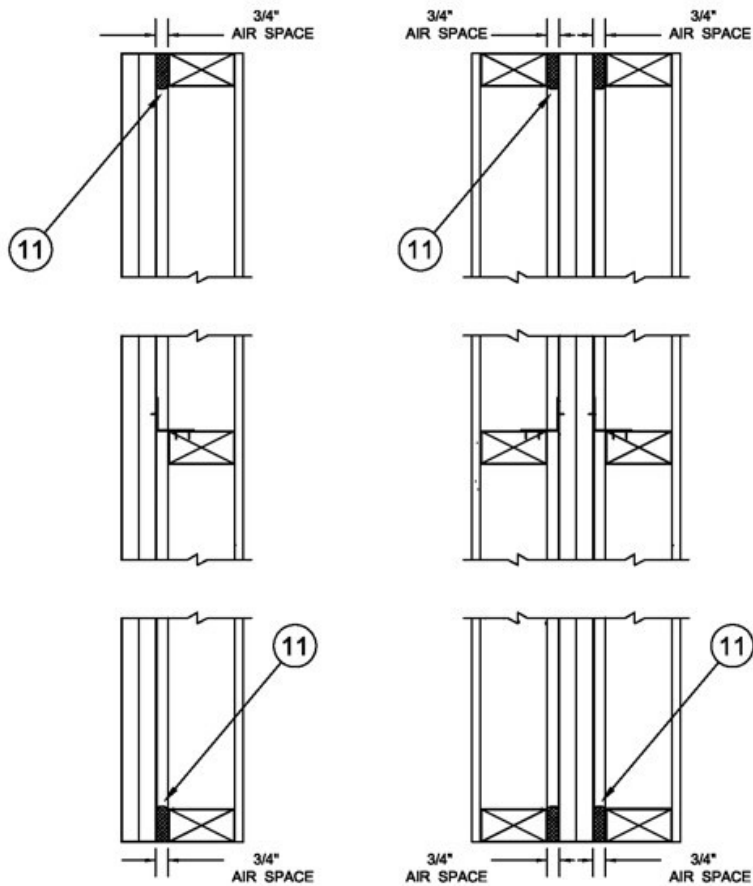
**CONFIGURATION E**  
EXPOSED TO FIRE FROM EITHER SIDE



**CONFIGURATIONS A and C**  
EXPOSED TO FIRE FROM AREA SEPARATION WALL ONLY



**CONFIGURATIONS B and D**  
EXPOSED TO FIRE FROM EITHER SIDE



**SECTION A1-A1**

**SECTION B1-B1**

**SEPARATION WALL:** (Non-bearing, Max Height - 66 ft - see Item 6)

1. **Steel Track** — Floor, sidewall or top wall track. Nom 2 in. wide channel shaped with nom 1 in. long legs, formed from No. 25 MSG galv steel, secured with suitable fasteners spaced 24 in. OC.

2. **Steel Studs** — "H" shaped studs formed from No. 25 MSG galv steel having an overall depth of approximately 2 in. and flange width 1-3/8 in.

3. **Gypsum Board\*** — Two layers of 1 in. thick gypsum wallboard liner panels, supplied in nom 24 in. widths. Vertical edges of panels friction fit into "H" shaped studs.

**NATIONAL GYPSUM CO** — Types FSW, FSW-B, FSW-7, FSW-9

**PROTECTED WALL:** (Bearing or Nonbearing Wall, as indicated in Items 5, 5A, and 5B. When Bearing, Load Restricted for Canadian Applications — See Guide [BXUV7](#).)

4. **Air Space** — Minimum 3/4-in. air space.

5. **Wood Studs** — For Bearing or Nonbearing Wall Rating — Nom 2 by 4 in. max spacing 24 in. OC. Studs cross braced at mid-height where necessary for clip attachment. Min 3/4 in. separation between wood framing and fire separation wall. Finish rating evaluated for wood studs only.

5A. **Steel Studs** — (As an alternate to Item 5, not shown) — For Bearing Wall Rating — Corrosion protected steel studs, min No. 20 MSG (0.0329 in., min bare metal thickness) steel or min 3- 1/2 in. wide, min No. 20 GSG (0.036 in. thick) galv steel or No. 20 MSG

(0.033 in. thick) primed steel, cold formed, shall be designed in accordance with the current edition of the Specification for the Design of Cold-Formed Steel Structural Members by the American Iron and Steel Institute. All design details enhancing the structural integrity of the wall assembly, including the axial design load of the studs, shall be as specified by the steel stud designer and/or producer, and shall meet the requirements of all applicable local code agencies. The max stud spacing of wall assemblies shall not exceed 24 in. OC. Studs attached to floor and ceiling tracks with 1/2 in. long Type S-12 steel screws on both sides of studs or by welded or bolted connections designed in accordance with the AISI specifications. Top and bottom tracks shall consist of steel members, min No. 20 MSG (0.0329 in., min bare metal thickness) steel or min No. 20 GSG (0.036 in. thick) galv steel or No. 20 MSG (0.033 in. thick) primed steel, that provide a sound structural connection between steel studs, and to adjacent assemblies such as a floor, ceiling, and/or other walls. Attached to floor and ceiling assemblies with steel fasteners spaced not greater than 24 in. O.C. Studs cross-braced with stud framing at midheight where necessary for clip attachment. Min 3/4 in. separation between steel framing and area separation wall. Finish rating has not been evaluated for Steel Studs.

**5B. Steel Studs** — (As an alternate to Items 5 and 5A, for use in Configuration B only, not shown) — For Nonbearing Wall Rating — Channel shaped, fabricated from min 25 MSG corrosion-protected steel, min 3-1/2 in. wide, min 1-1/4 in. flanges and 1/4 in. return, spaced a max of 24 in. OC. Studs to be cut 3/8 to 3/4 in. less than assembly height. Top and bottom tracks shall be channel shaped, fabricated from min 25 MSG corrosion-protected steel, min width to accommodate stud size, with min 1 in. long legs, attached to floor and ceiling with fasteners 24 in. OC max. Studs cross-braced with stud framing at midheight where necessary for clip attachment. Min 3/4 in. separation between steel framing and area separation wall. Finish rating has not been evaluated for Steel Studs.

**6. Gypsum Board — Classified or Unclassified** — Min 1/2 in. thick, 4 ft wide, applied horizontally or vertically. Wallboard attached to wood studs (Item 5) with 1-1/4 in. long steel drywall screws spaced 12 in. OC. Wallboard attached to steel studs (Item 5A or 5B) with 1 in. long Type S steel screws spaced 12 in. OC. Vertical joints located over studs. Horizontal joints shall be butted tight to form a closed joint. As an option, joints covered with paper tape and joint compound. As an option, screw heads covered with joint compound.

**6A. Plywood Sheathing or OSB** — (not shown) — As an alternate to Item 6, Min 1/2 in. thick plywood or OSB applied horizontally or vertically to wood or steel studs. Vertical joints located over studs. Horizontal joints shall be butted tight to form a closed joint. Fastened to studs with nails or screws of sufficient length, spaced 12 in. OC. Joints and fastener heads are not required to be treated. Aluminum clips shall be spaced as described in Item 7.

**6B. Batts and Blankets\*** — (Not shown) — As an alternate to Items 6 and 6A, Glass fiber or mineral wool insulation, min. 3-1/2 in. thick, placed to completely fill the wood or steel stud cavities. When Batts and Blankets are used in place of Items 6 and 6A, the max height is 54 ft and the aluminum clips (Item 7) shall be spaced a max of 5 ft OC vertically. Min 3/4 in. separation between insulation and area separation wall. See Batts and Blankets (BKNV) category in the Building Materials Directory and Batts and Blankets (BZJZ) category in the Fire Resistance Directory for name of Classified Companies.

**6C. Wall and Partition Facings and Accessories\*** — (not shown) — As an alternate to Items 6, 6A and 6B, 4 ft wide panels, applied vertically. Panels attached to wood studs (Item 4) with 1-5/8 in. long steel drywall screws spaced 16 in. OC. Vertical joints located over studs. Joints covered with paper tape and joint compound. As an option, screw heads covered with joint compound.

**NATIONAL GYPSUM CO** — Type SoundBreak Gypsum Board.

**PABCO BUILDING PRODUCTS L L C, DBA PABCO GYPSUM** — Types QuietRock QR-500, QuietRock QR-510, QuietRock QR-525

**6D. Gypsum Board\*** — As an alternate to Item 6 - Min 5/8 in. thick, min. 6 in. wide batten strips, applied on both sides of Steel Studs (Item 2) and horizontal back to back Steel Track (Item 1). Min. 5/8 in. thick, min. 3 in. wide batten strips applied on both sides of single Steel Track (Item 1) at perimeter of assembly. Batten strips secured to studs with 1-1/4 in. long Type S steel screws spaced 12 in. OC. Batten joints shall be butted tight to form a closed joint. As an option, entire sheet of gypsum board may be used in lieu of the battens. Clip placement as in item 7, 7A, 7B, or 7C.

**NATIONAL GYPSUM CO** — Type FSW-3, FSW, FSW-6.

**6E. Fiber, Sprayed\*** — Optional - Not Shown. - Spray applied cellulose material. The fiber is applied with water to completely or partially fill the enclosed stud cavity and air space in accordance with the application instructions supplied with the product with a nominal dry density of 2.7 lb/ft<sup>3</sup>. Alternate Application Method: The fiber is applied without water or adhesive at a nominal dry density of 3.5 lb/ft<sup>3</sup>, in accordance with the application instructions supplied with the product.

**Applegate Greenfiber Acquisition LLC** — Insulmax, SANCTUARY, and FRM for use with wet or dry application.

6F. **Building Wrap** – Optional – Not Shown – For use with Items 6-6E - Building wrap fastened to gypsum board, wall sheathing, or studs per manufacturers installation instructions.

7. **Aluminum Clips** — Aluminum angle, 0.049 in. thick, 2 in. wide with 2 in. and 2-1/2 in. legs. Clips secured with Type S screws 3/8 in. long to "H" studs and with 1-1/4 in. long screws to wood framing or steel framing through holes provided in clip.

7A. Clip placement for separation walls up to 23 ft high: Space clips a max of 10 ft OC vertically between wood or steel framing and "H" studs.

7B. Clip placement for separation walls up to 54 ft high: Space clips as described in Item 6A for upper 24 ft. Remaining wall area below requires clips spaced a max of 5 ft OC vertically between wood or steel framing and "H" studs.

7C. Clip placement for separation walls up to 66 ft high: Space clips as described in Item 6A for upper 24 ft, space clips as described in Item 6B for middle 30 ft. Remaining wall area below requires clips spaced a max of 39 in. OC vertically between wood or steel framing and "H" studs.

8. **STC Rating** — The STC Rating of the wall assembly is 61 when it is constructed as described by Items 1 through 6, except:

A. Item 5, above — Wood Studs — Shall be spaced 16 in. OC.

B. Item 6, above — Gypsum Board — Min. weight 1.5 psf. Shall be applied vertically and attached to studs with 1-1/4 in. long steel drywall screws spaced 16 in. OC. Joints and screwheads shall be covered with paper tape and joint compound.

C. Item 7, above — Aluminum Clips — Spaced a max of 10 ft OC vertically.

D. Batts and Blankets\* - The cavities formed by the wood studs shall be friction fit with 3-1/2 in. thick fiberglass insulation batts, min. 0.80 pcf. See Batts and Blankets (BKNV) category in the Building Materials Directory and Batts and Blankets (BZJZ) category in the Fire Resistance Directory for name of Classified Companies.

E. Max Height of Separation Wall is 23 ft.

F. The STC rating applies to Configuration B only.

G. Steel Studs (Items 5A, 5B), Plywood Sheathing or OSB (Item 5A and Item 9) and Batts and Blankets (Items 6B) not evaluated as alternatives for obtaining STC rating.

8A. **STC Rating** — The STC Rating of the wall assembly is 69 when it is constructed as described by Items 1 through 6, except:

A. Item 5, above — Wood Studs — Shall be spaced 16 in. OC.

B. Item 6C, above — Wall and Partition Facings and Accessories\* — Type QuietRock QR-510 panels shall be installed.

C. Item 7, above — Aluminum Clips — Spaced a max of 10 ft OC vertically.

D. Batts and Blankets\* - The cavities formed by the wood studs shall be friction fit with 3-1/2 in. thick fiberglass insulation batts, min. 1.0 pcf. See Batts and Blankets (BKNV) category in the Building Materials Directory and Batts and Blankets (BZJZ) category in the Fire Resistance Directory for name of Classified Companies.

E. Max Height of Separation Wall is 23 ft.

F. The STC rating applies to Configuration B only.

G. Steel Studs (Items 5A, 5B), Plywood Sheathing or OSB (Item 6A and Item 10) and Batts and Blankets (Items 6B) not evaluated as alternatives for obtaining STC rating.

8B. **STC Rating** — The STC Rating of the wall assembly is 70 when it is constructed as described by Items 1 through 7, except:

A. Item 5, above - Wood Studs - Shall be spaced 16 in. OC.

B. Item 6C, above - Wall and Partition Facings and Accessories\* - Type QuietRock QR-525 panels shall be installed as described in Item 5C.

C. Item 7, above — Aluminum Clips - Spaced a max of 10 ft OC vertically.

D. Batts and Blankets\* — The cavities formed by the wood studs shall be friction fit with 3-1/2 in. thick fiberglass insulation batts, min. 1.0 pcf. See Batts and Blankets (BKNV) category in the Building Materials Directory and Batts and Blankets (BZJZ) category in the Fire Resistance Directory for name of Classified Companies.

E. Max Height of Separation Wall is 23 ft.

F. The STC rating applies to Configuration B only.

G. Steel Studs (Items 5A, 5B), Plywood Sheathing or OSB (Item 6A and Item 10) and Batts and Blankets (Items 6B) not evaluated as alternatives for obtaining STC rating.

9. **Non-Bearing Wall Partition Intersection** — (Optional) Wall system consisting of nominal 2 by 4 in. stud or nominal 2 by 6 in. stud. Maximum one non-bearing wall partition intersection per stud cavity.

10. **Plywood Sheathing or OSB** — (Optional) — Min 1/2 in. thick plywood or OSB applied horizontally or vertically to "H" studs on area separation wall side of Configuration B. Vertical joints located over studs. Fastened to "H" studs with screws of sufficient length, spaced a maximum of 12 in. OC.

11. **Caulking and Sealants\*** — (Optional - Intended for use as an air barrier - Not evaluated as fireblocking) - A bead of sealant applied around the partition perimeter in the 3/4 in. air space between wood framing (Item 5) and shaftliner panels (Item 3) to create an air barrier.

**DUPONT DE NEMOURS, INC.** — Great Stuff Gaps & Cracks, Great Stuff Pro Gaps & Cracks, Great Stuff Pro Window & Door

**ICP CONSTRUCTION INC** — Fireblock, Window & Door, Insulating Foam Sealant, Multi-Purpose, HC Sealants, Black Foam Sealant, Extreme, Window & Door Extreme, Fast Foam, Gun Foam, and Straw Foam

**\* Indicates such products shall bear the UL or cUL Certification Mark for jurisdictions employing the UL or cUL Certification (such as Canada), respectively.**

Last Updated on 2024-01-29

---

The appearance of a company's name or product in this database does not in itself assure that products so identified have been manufactured under UL Solutions' Follow - Up Service. Only those products bearing the UL Mark should be considered to be Certified and covered under UL Solutions' Follow - Up Service. Always look for the Mark on the product.

UL Solutions permits the reproduction of the material contained in Product iQ subject to the following conditions: 1. The Guide Information, Assemblies, Constructions, Designs, Systems, and/or Certifications (files) must be presented in their entirety and in a non-misleading manner, without any manipulation of the data (or drawings). 2. The statement "Reprinted from Product iQ with permission from UL Solutions" must appear adjacent to the extracted material. In addition, the reprinted material must include a copyright notice in the following format: "©2024 UL LLC."