

Product Description

MarinoWARE FAS-093X-V Vinyl Fire Rated Control Joint is a composite control joint with intumescent tape factory applied to the back side of the control joint. The FAS-093X-V has been tested according to UL-2079 "Test for Fire Resistance of Building Joint Systems" and is used to relieve stresses of expansion and contraction of drywall INTERIOR and EXTERIOR partitions or ceilings running in a horizontal or vertical direction in both metal or wood framing on one side or both sides of the wall. Continuous framing or backing is required behind both flanges. The FAS-093X-V is pink in color and features a co-extruded flexible PVC center that is designed to provide a full 1/2" of protection against the stresses of expansion and contraction.

US Patent 8,671,632

Packaging

10' lengths; 20 pieces per box; 25 per pallet

Product Information

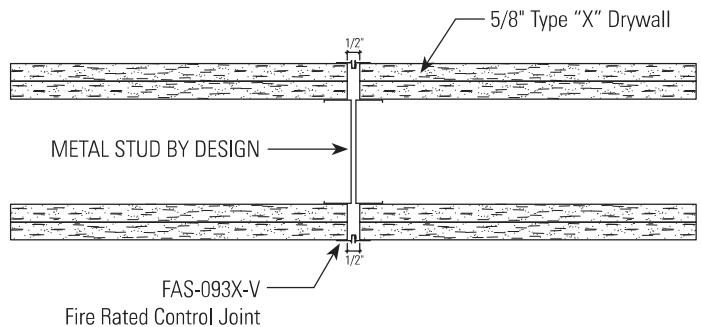
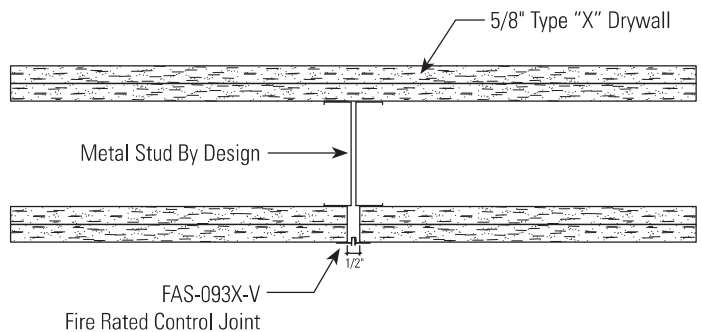
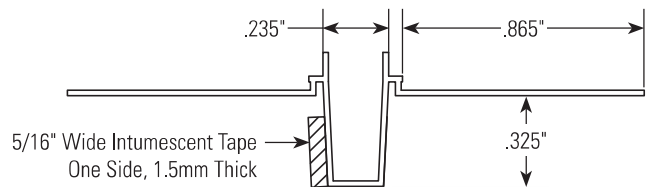
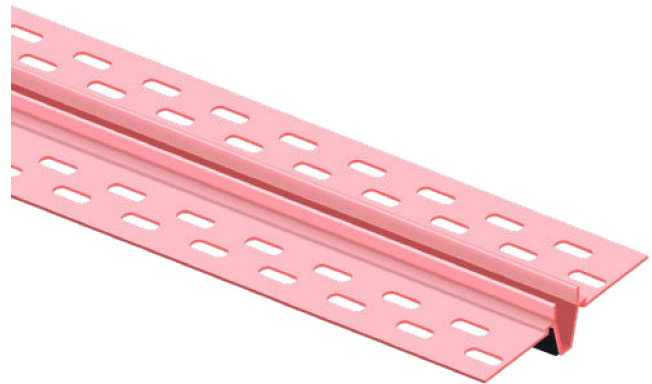
Applicable Standards: Rigid PVC products meet ASTM specifications D3678-97 Class 2, D1784-03, C1047-99 and achieve a Class A rating for flame spread and smoke developed when tested under ASTM E84-10.

UL-2079 Standard for Tests for Fire Resistance of Building Joint Systems **for 1 and 2 hour wall assemblies.**

Limitations: 093X-V must be painted with a high quality paint, especially in exterior applications.

Installation: 093X-V can be installed with spray adhesive, drywall fasteners, or staples.

- NO Drywall Rips Required
- NO Fire Sealant Required
- NO Mineral Wool Required



← Scan or click the code to view the installation video!



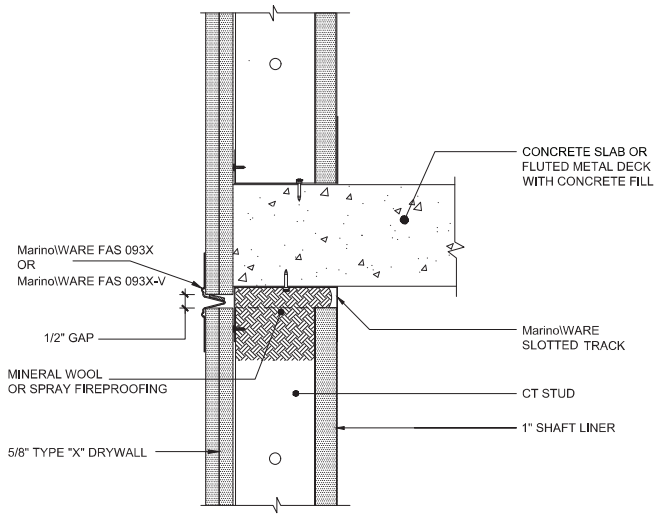
← Scan or click the code to view the installation guide!



For more information, please contact MarinoWARE® Technical Services at 866.545.1545

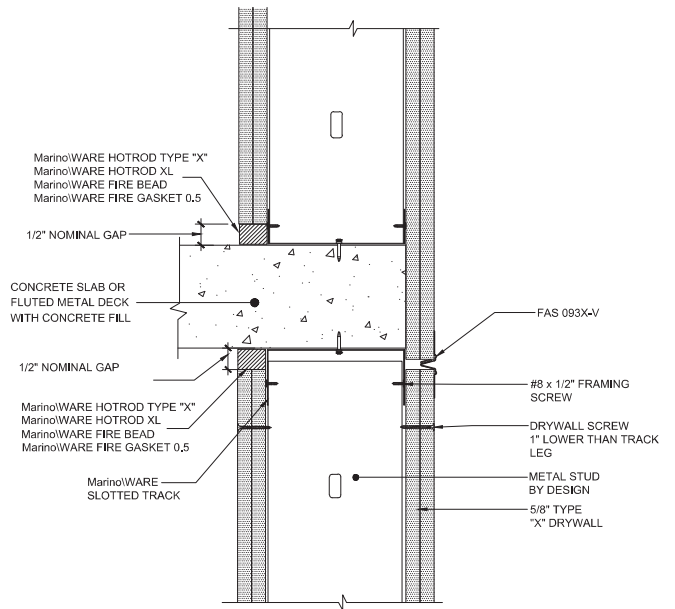
This technical information reflects the most current information available and supersedes any and all previous publications effective December 7, 2023 | MW-Joint Firestopping Catalog I ©WARE Industries, Inc. 2023

HW-D-0621 2HR SHAFT WALL CONCRETE SLAB BYPASS



*NOTE: SINGLE LAYER OF 5/8" TYPE "X" DRYWALL FOR 1 HOUR FIRE RATING, 2 LAYERS FOR 2 HOUR

HW-D-0596 2HR STANDARD WALL @ CONCRETE STAIRWELL SLAB BYPASS



*NOTE: SINGLE LAYER OF 5/8" TYPE "X" DRYWALL FOR 1 HOUR FIRE RATING, 2 LAYERS FOR 2 HOUR

Always check UL Fire resistance directory for complete design requirements.

For more information, please contact MarinoWARE® Technical Services at 866.545.1545

This technical information reflects the most current information available and supersedes any and all previous publications effective December 7, 2023 | MW-Joint Firestopping Catalog | ©WARE Industries, Inc. 2023