

Product Description

MarinoWARE RBR Strap (Rated Base Reveal) is a composite steel/intumescent profile that provides a fire and smoke rating according to UL-2079 for a recessed base board and listed under UL BW-S-0036. The RBR Strap is a fire rated steel/intumescent strap drywall accessory that provides fire rating for recessed base board assemblies. RBR Strap is fabricated from hot-dipped galvanized steel complying with ASTM A653, and ASTM A1003 Grade 33 Type H for 33 ksi yield strength steel for 20 gauge (30 mil) with a minimum G40 coating complying with ASTM A924.

Steel Thickness

Steel thickness 20ga 0.030" (only) 6" wide

ASTM & Code Standards

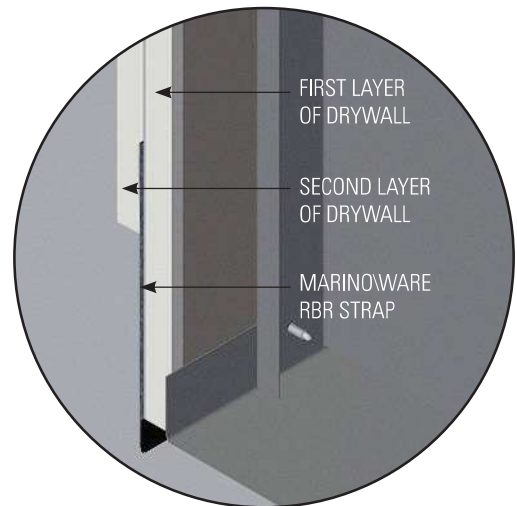
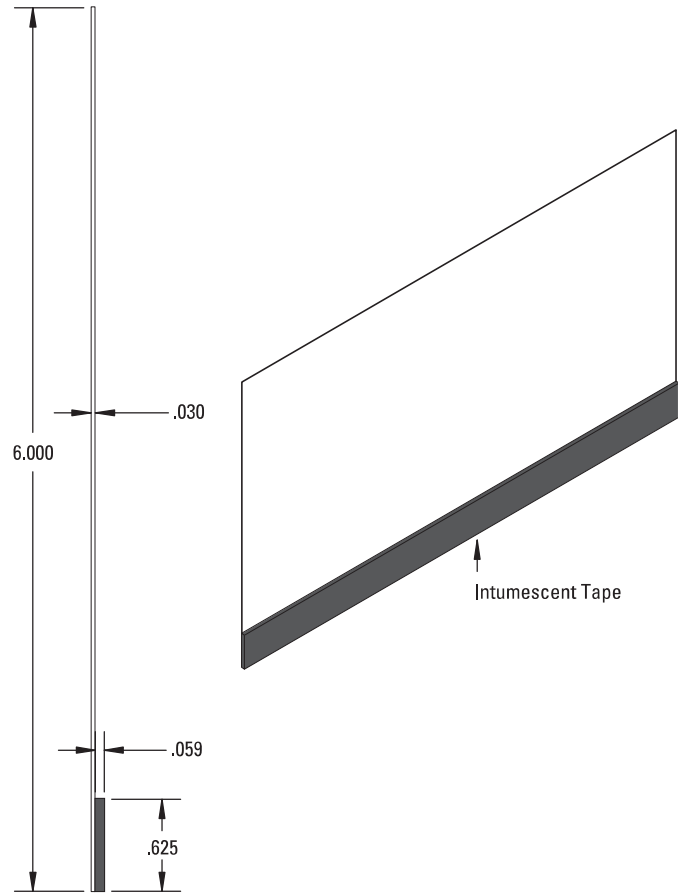
- ASTM A1003, A653, A924
- IBC: 2012, 2015, 2018, 2021
- CBC: 2013, 2016, 2019
- UL ER25033-01
- AISI: S100, S220
- ASTM E 1966: Standard Test Method of Fire Tests of Firestop Systems
- **UL 2079 5th Edition** Tests for Fire Resistance of Building Joints
- ASTM E-119 Standard Test Methods for Fire Tests of Building Construction and Material
- Air leakage tests conducted for compliance with Section 713.6 of IBC and CBC
- UL Approval: BW-S-0036
- **U.S. Patent No. 9,752,318 B2**

LEED v4 for Building and Design Construction

- MR Prerequisite: Construction and Demolition Waste Management Planning.
- MR Credit: Construction and Demolition Waste Management.
- MR Credit: Building Product Disclosure and Optimization – Sourcing of Raw Materials, Option 2.
- MR Credit: Building Product Disclosure and Optimization – Environmental Product Declarations, Options 1 & 2.
- MR Credit: Building Product Disclosure and Optimization – Material Ingredients, Option 1.
- MR Credit: Building Life-Cycle Impact Reduction, Option 4.

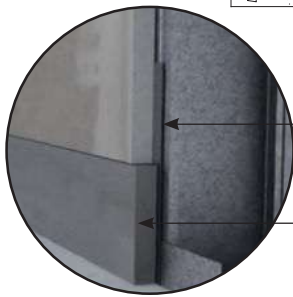
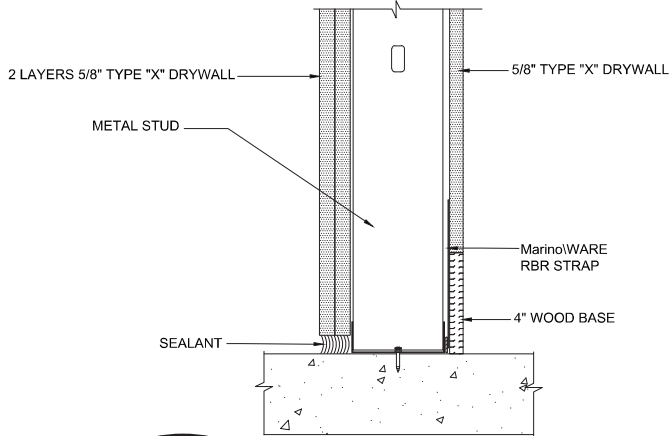
MarinoWARE cold-formed steel framing products contain 30% to 37% recycled steel

- Total Recycled Content: 36.9%
- Post-Consumer: 19.8%
- Pre-Consumer: 14.4%



← Scan or click the code to view the installation video!

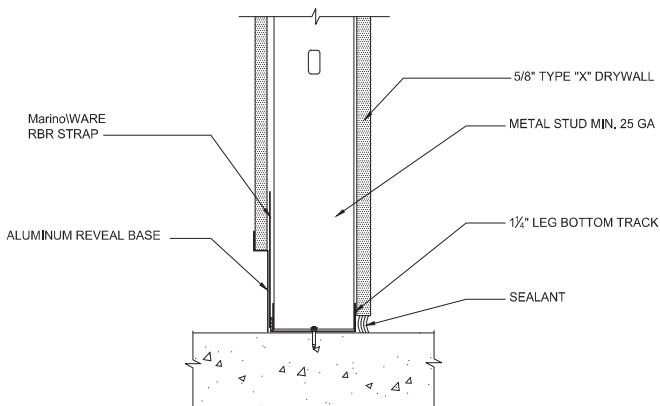
BW-S-0036 SOUND TEST OL15-1010, STC 52



MARINOWARE RBR STRAP
MODERN WALL BASEBOARD

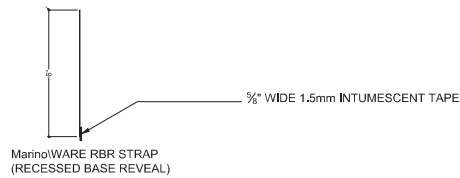
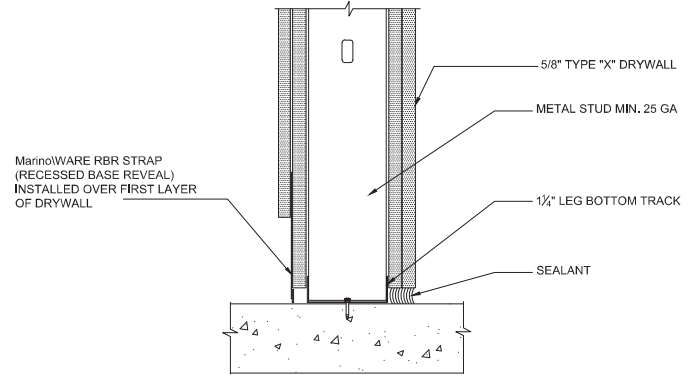
*NOTE: SINGLE LAYER OF 5/8" TYPE "X" DRYWALL FOR 1 HOUR FIRE RATING, 2 LAYERS FOR 2 HOUR

BW-S-0036 BOTTOM WALL STATIC JOINT RBR STRAP



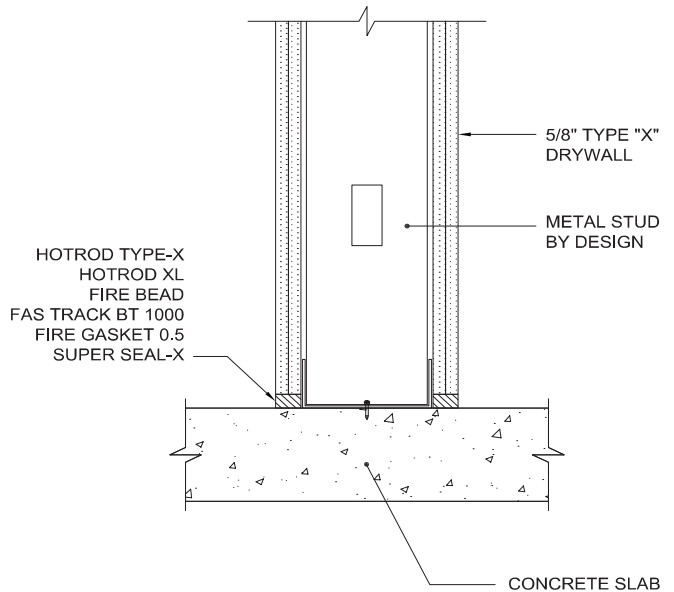
*NOTE: SINGLE LAYER OF 5/8" TYPE "X" DRYWALL FOR 1 HOUR FIRE RATING, 2 LAYERS FOR 2 HOUR

BW-S-0036 2HR BOTTOM WALL STATIC JOINT RBR STRAP



*NOTE: SINGLE LAYER OF 5/8" TYPE "X" DRYWALL FOR 1 HOUR FIRE RATING, 2 LAYERS FOR 2 HOUR

BW-S-0024 2HR BOTTOM WALL STATIC JOINT



*NOTE: SINGLE LAYER OF 5/8" TYPE "X" DRYWALL FOR 1 HOUR FIRE RATING, 2 LAYERS FOR 2 HOUR

Always check UL Fire resistance directory for complete design requirements.

For more information, please contact MarinoWARE® Technical Services at 866.545.1545

This technical information reflects the most current information available and supersedes any and all previous publications effective December 7, 2023 | MW-Joint Firestopping Catalog | ©WARE Industries, Inc. 2023