

Marino\WARE® Product Submittal Data

PRODUCT NAME: FAS TRACK 1000 Deep Leg - Fire, Air & Smoke Protection

Nomenclature: 250FTDL200-33

PROPERTIES:

| | | | |
|--------------------|-------|--------------------------------|--------|
| A. Web (in) | 2-1/2 | Yield Strength Fy (KSI) | 33 |
| Flange (in) | 2 | Design Thickness (in) | 0.0346 |
| Mils | 33 | Minimum Thickness (in) | 0.0329 |
| Finish | G40 | Gauge | 20 STR |

FIRE RATED DESIGNS (UL 2079):

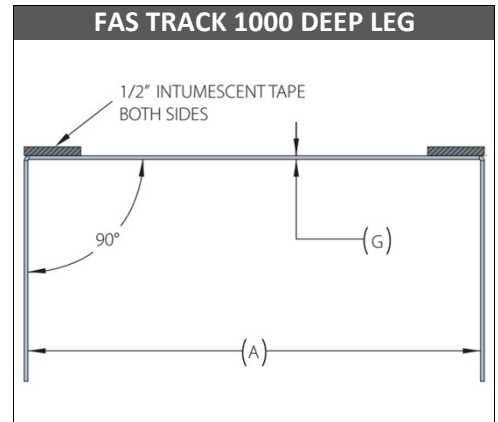
| | |
|-----------|-----------|
| HW-D-0514 | HW-D-0553 |
| HW-D-0518 | HW-D-0573 |
| HW-D-0524 | HW-D-0620 |
| HW-D-0550 | HW-D-0624 |
| HW-D-0551 | HW-D-0652 |

CODES & STANDARDS

- IBC 2015, 2012
- Steel and coating meets ASTM A1003

GREEN INFO

- LEED v3 & LEED v4 credits available
- Contact Technical Services for more information



For more information, please contact Marino\WARE Technical Services at 866-545-1545.

This technical information reflects the most current information available and supersedes any and all publications, effective 4/1/2016

©Copyright 2016 by Ware Industries, Inc. All rights reserved