

Marino\WARE® Product Submittal Data

PRODUCT NAME: FAS TRACK 1000 SLOTTED - Fire, Air & Smoke Protection

Nomenclature: 600FT275-33

PROPERTIES:

| | | | |
|--------------------|-------|--------------------------------|--------|
| A. Web (in) | 6 | Yield Strength Fy (KSI) | 33 |
| Flange (in) | 2-3/4 | Design Thickness (in) | 0.0346 |
| Mils | 33 | Minimum Thickness (in) | 0.0329 |
| Finish | G40 | Gauge | 20 STR |



FIRE RATED DESIGNS (UL 2079):

| | |
|-----------|-----------|
| HW-D-0514 | HW-D-0554 |
| HW-D-0518 | HW-D-0573 |
| HW-D-0524 | HW-D-0620 |
| HW-D-0550 | HW-D-0624 |
| HW-D-0551 | HW-D-0652 |
| HW-D-0553 | WW-D-0104 |

CODES & STANDARDS

- IBC 2015, 2012
- Steel and coating meets ASTM A1003

GREEN INFO

- LEED v3 & LEED v4 credits available
- Contact Technical Services for more information

ALLOWABLE LOADS:

| MODEL NO. ¹ | DESIGN THICKNESS (in) | MINIMUM THICKNESS (in) | YIELD (ksi) | COATING | WEB SIZES (in) | GAP ² (in) | ALLOWABLE LOAD ³ PER STUD (lb) | LOAD AT 1/8 INCH DEFLECTION ⁴ (lb) |
|------------------------|-----------------------|------------------------|-------------|---------|-------------------------------|-----------------------|---|---|
| 33 | 0.0346 | 0.0329 | 33 | G40 | 2 1/2 3 5/8 4 6 8 | 5/8 | 125 | 30 |
| 43 | 0.0451 | 0.0428 | 33 | G60 | 2 1/2 3 5/8 4 6 8 | 5/8 | 160 | 50 |
| 54 | 0.0566 | 0.0538 | 50 | G60 | 2 1/2 3 5/8 4 6 8 | 5/8 | 280 | 90 |
| 68 | 0.0713 | 0.0677 | 50 | G60 | 3 5/8 4 6 8 | 5/8 | 385 | 155 |

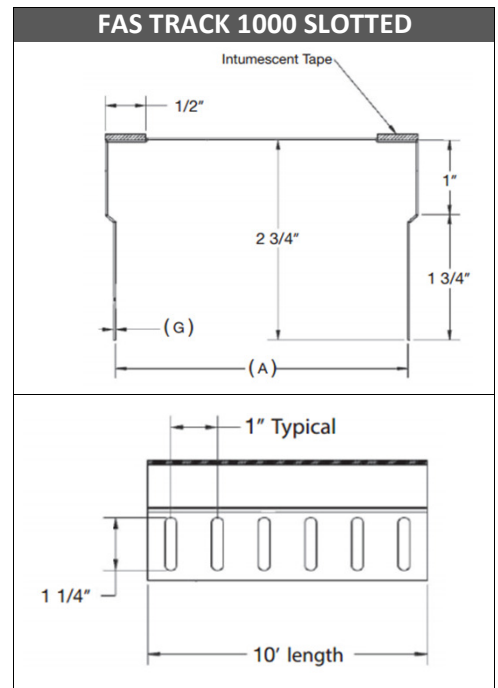
For SI: 1 inch = 25.4mm, 1 lbf = 4.448 N, 1 ksi = 6.8948 kPa, 1 lb/ft = 14.5939 N/m

¹See the last two digits in the section designation in Table 2.

²The gap is the maximum distance between end of the stud and the web of the track.

³Loads are allowable strength loads (ASD). For load and resistance factor design (LRFD) multiply by 1.54.

⁴Deflection is the deflection of the edge of the flange away from the web of the FAS Track 1000.



For more information, please contact Marino\WARE Technical Services at 866-545-1545.

This technical information reflects the most current information available and supersedes any and all publications, effective 4/1/2016
©Copyright 2016 by Ware Industries, Inc. All rights reserved