

Marino\WARE® Product Submittal Data

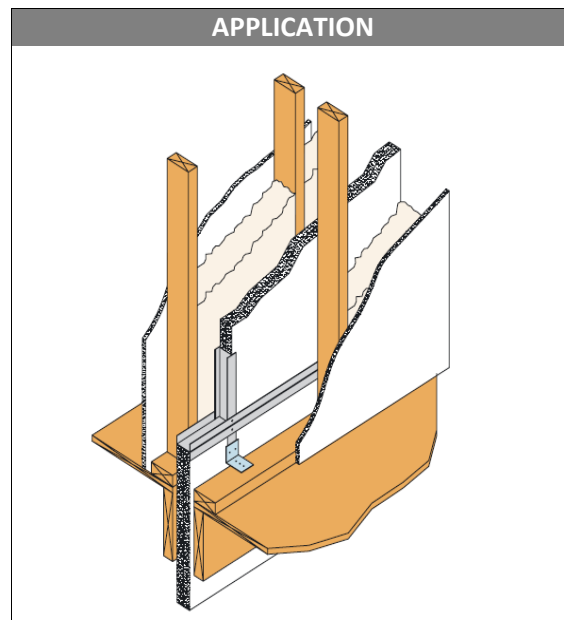
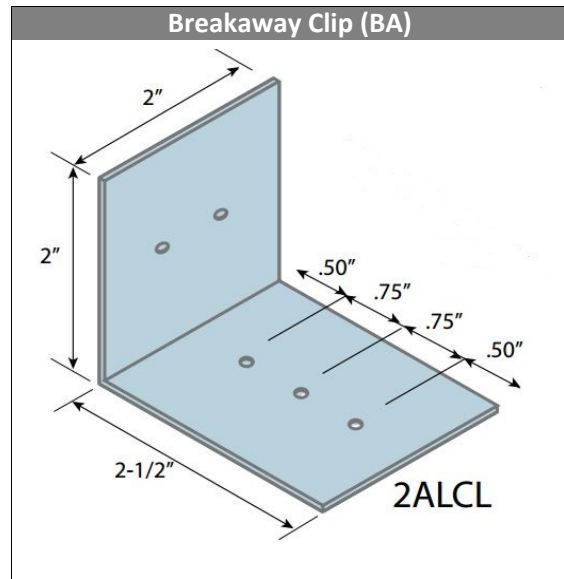
MARINO\WARE PART # Breakaway Clip (BA)
2.5 inch (2ALCL)

MATERIAL: Aluminum .063"

INSTALLATION:

1. Used in conjunction with Area Separation Wall Systems.
2. One clip attached to each side of H Stud.
3. Fasten with screw through hole in BA clip to stud.

*For use in UL U373, U388, U336, U375 & U366



ClipSource™



For more information, please contact Marino\WARE Technical Services at 866-545-1545.

This technical information reflects the most current information available and supersedes any and all publications, effective 10/1/2021.

© Copyright 2021 by Ware Industries, Inc. All rights reserved