

# Marino\WARE® Product Submittal Data

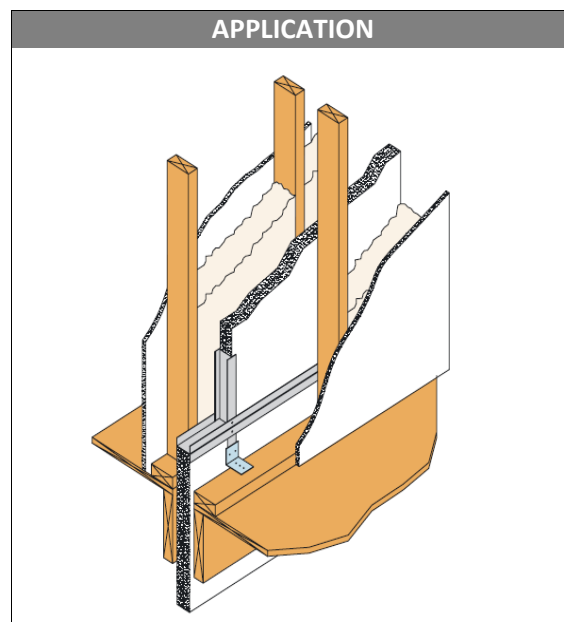
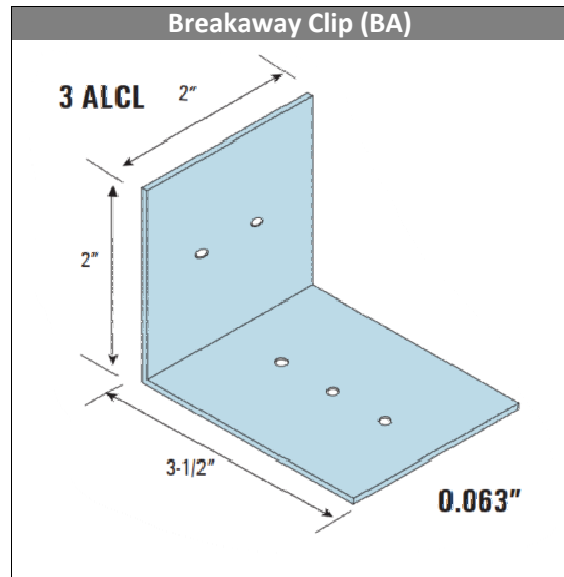
**MARINO\WARE PART # Breakaway Clip (BA)**  
3.5 inch (3ALCL)

**MATERIAL:** Aluminum .063"

## INSTALLATION:

1. Used in conjunction with Area Separation Wall Systems.
2. One clip attached to each side of H Stud.
3. Fasten with screw through hole in BA clip to stud.

\*For use in AWS2600 (3hr. Area Separation Wall)



**ClipSource™**



For more information, please contact Marino\WARE Technical Services at 866-545-1545.

This technical information reflects the most current information available and supersedes any and all publications, effective 10/1/2021.

© Copyright 2021 by Ware Industries, Inc. All rights reserved