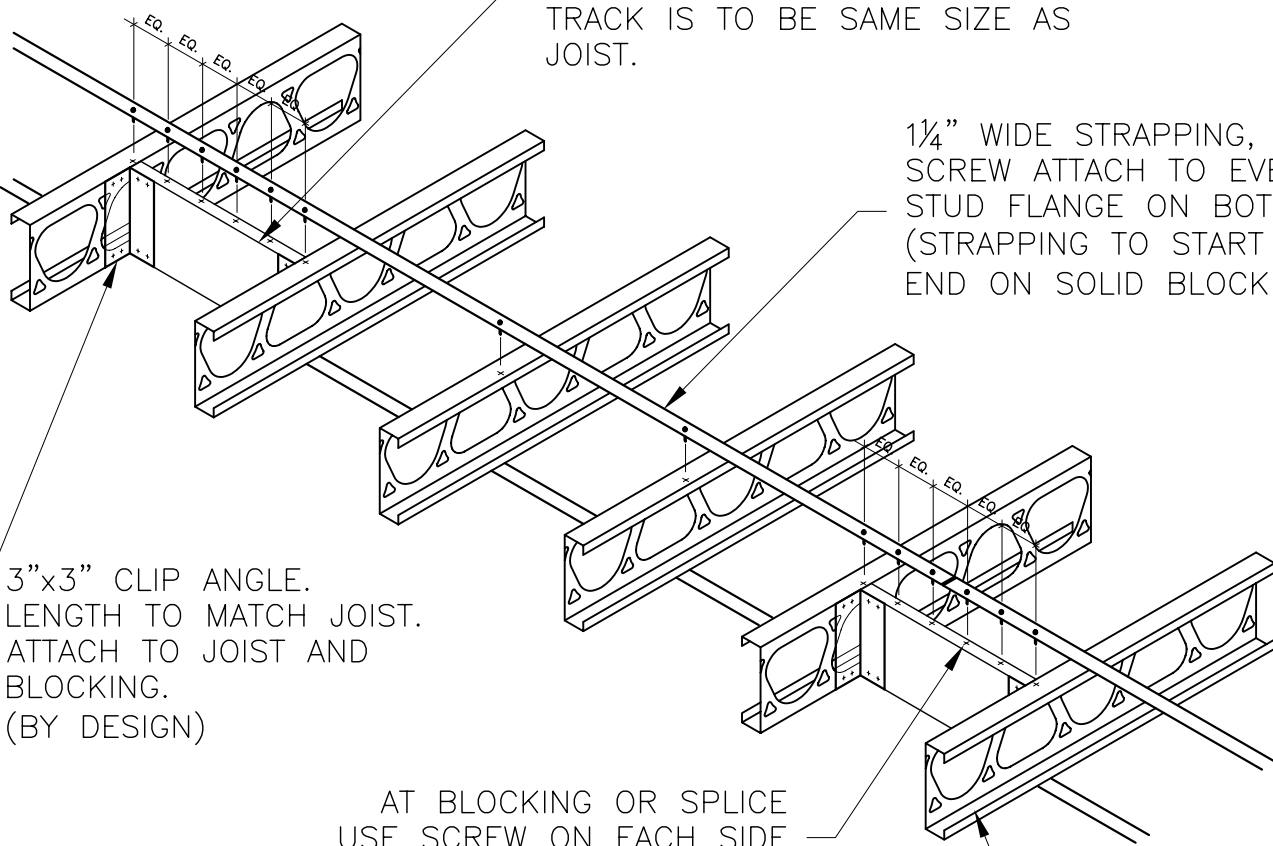


NOTE:
IF TOP CHORD IS
CONTINUOUSLY SHEATHED
TOP STRAP IS NOT REQ'D.

MIN. 18 GA RUNNER TRACK
SOLID BLOCKING @ 10'-0"o.c.
TRACK IS TO BE SAME SIZE AS
JOIST.

1 1/4" WIDE STRAPPING,
SCREW ATTACH TO EVERY
STUD FLANGE ON BOTH SIDES
(STRAPPING TO START &
END ON SOLID BLOCKING)



3"x3" CLIP ANGLE.
LENGTH TO MATCH JOIST.
ATTACH TO JOIST AND
BLOCKING.
(BY DESIGN)

AT BLOCKING OR SPLICE
USE SCREW ON EACH SIDE
OF BLOCKING.

JOIST-RITE
FLOOR JOISTS

BLOCKING NOTE:
PLACE SOLID BLOCKING AT ENDS OF
FLOOR SYSTEM, ADJACENT TO
ALL OPENINGS, AND AT 10'-0"o.c.
PERPENDICULAR TO JOIST SPAN MAX.

COILED STRAPS (CS) WITH BLOCKING ON JOSITRITE FLOOR SYSTEM

Marino\WARE 08. FRAMERITE CONNECTORS