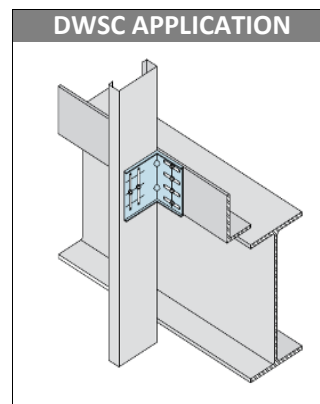
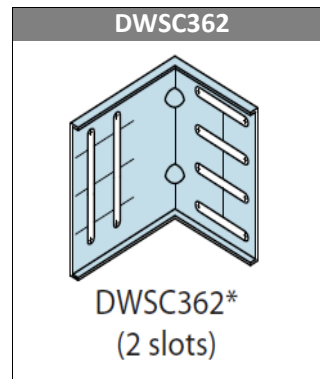


Marino\WARE® Product Submittal Data

MARINO\WARE PART # DWSC362

MATERIAL: See Table
FINISH: Galvanized – G90
SCREWS: #14 Shouldered screws included.

| Part No. | Ga/Mil | Material | Finish | Size |
|----------|-----------|----------|--------|-------------------|
| DWSC362 | 14ga (68) | 50 KSI | G-90 | 4" x 1.5" x 3.5" |
| DWSC600 | 14ga (68) | 50 KSI | G-90 | 4" x 1.5" x 5.5" |
| DWSC800 | 14ga (68) | 50 KSI | G-90 | 4" x 1.5" x 7.5" |
| DWSC1000 | 14ga (68) | 50 KSI | G-90 | 4" x 1.5" x 9.5" |
| DWSC1200 | 14ga (68) | 50 KSI | G-90 | 4" x 1.5" x 11.5" |



CODES & STANDARDS

- Steel meets ASTM A1003
- Coating meets ASTM A1003, A653

GREEN INFO

- LEED v4 credits available
- Contact Technical Services for more information

ClipSource™



For more information, please contact Marino\WARE Technical Services at 866-545-1545.
 This technical information reflects the most current information available and supersedes any and all publications, effective 10/1/2021.
 © Copyright 2021 by Ware Industries, Inc. All rights reserved