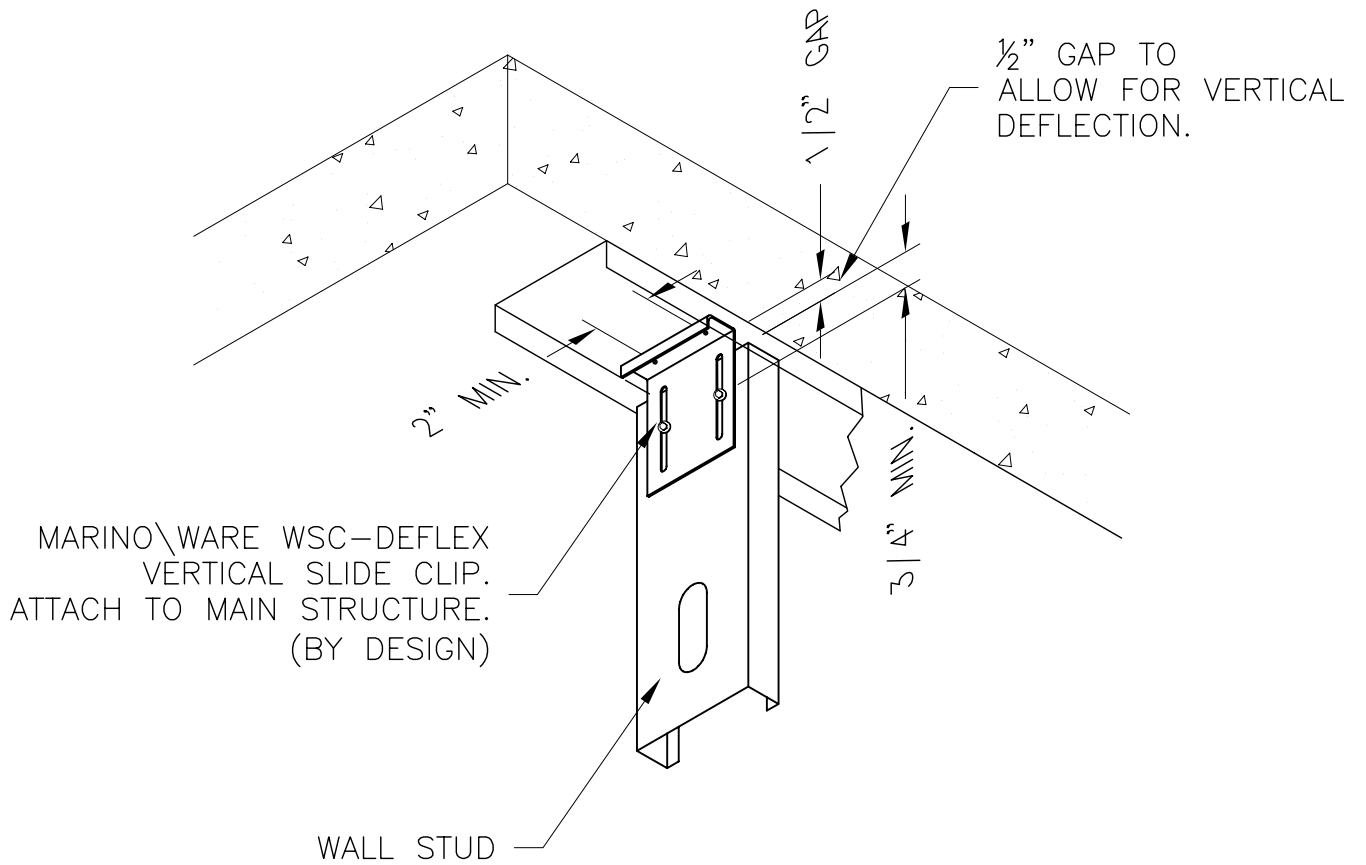


FOR ATTACHMENT OF
DEFLEX CLIPS TO WALL
STUDS: TIGHTEN SCREWS,
THEN BACK OFF 1/2 TURN.



DEFLEX VERTICAL SLIDE CLIP

Marino\WARE 18. FRAMERITE CONNECTORS