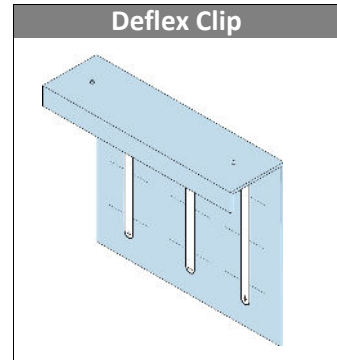


Marino\WARE® Product Submittal Data

MARINO\WARE PART # 6T1000 Deflex Clip

MATERIAL: 16 ga (54 mil) 50ksi
FINISH: Galvanized – G90
SCREWS: #14 Shouldered screws inc.

Part No.	Ga/Mil	Yield	Finish
6T1000	16ga (54)	50 KSI	G-90



Connection to Structure Hilti 0.145" X-EDNI Powder Actuated Fastener in 3/16" Steel					Connection to Structure #12-14 Hilti kwik Pro Self Drilling Screws to 3/16" Steel						
		3T1000		6T1000				3T1000		6T1000	
Ga (Mil)	No. of Screws	No. of Anchors	Load (lbs.)	Load (lbs.)	Ga (Mil)	No. of Screws	No. of Anchors	e Load (lbs.)	Allowable Load (lbs.)		
20 ga. (33) 33ksi	2	2	224	276	20 ga. (33) 33ksi	2	2	278	278		
		3	228	276			3	278	278		
18 ga (43) 33ksi	2	2	224	413	18 ga (43) 33ksi	2	2	410	413		
		3	228	413			3	410	413		
16 ga. (54) 33ksi	2	2	224	413	16 ga. (54) 33ksi	2	2	455	580		
		3	228	440			3	495	580		
16 ga. (54) 50ksi	2	2	224	413	16 ga. (54) 50ksi	2	2	455	685		
		3	228	440			3	495	742		
14 ga. (68) 50ksi	2	2	224	413	14 ga. (68) 50ksi	2	2	455	685		
		3	228	440			3	495	1150		

NOTES

1. All anchors must be attached in a single file line down the center of the clip.
2. All anchor data is from the Hilti 2006 Product Technical Guide.
3. All anchors must be attached to structure per manufacturer's instructions.
4. Anchor edge distance to be 1/2" min.

CODES & STANDARDS

- Steel meets ASTM A1003
- Coating meets ASTM A1003, A653

GREEN INFO

- LEED v4 credits available
- Contact Technical Services for more information



www.marinoware.com

For more information, please contact Marino\WARE Technical Services at 866-545-1545.

This technical information reflects the most current information available and supersedes any and all publications, effective 10/1/2021
 © Copyright 2021 by Ware Industries, Inc. All rights reserved

