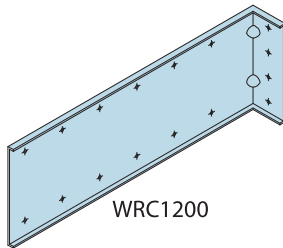
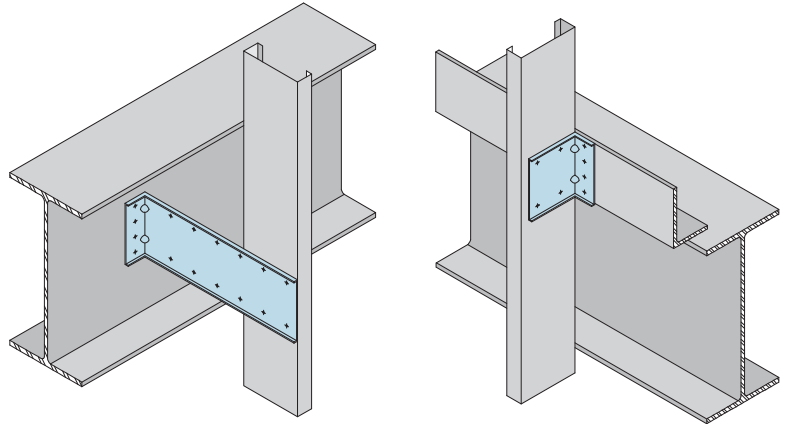


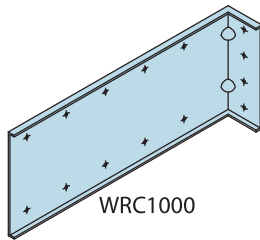
WRC RIGID CLIPS

The WRC series of clips connects exterior studs to the building structure and resists horizontal and lateral loads. The WRC has embossments and a continuous flange to allow for excellent load values. 25 pieces per box.

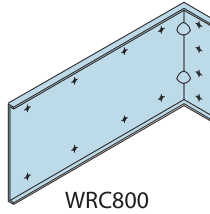
Part No.	Ga. (Mil)	Material	Finish	Size
WRC362	14ga (68)	50 KSI	G-90	4" x 1.5" x 3.5"
WRC600	14ga (68)	50 KSI	G-90	4" x 1.5" x 5.5"
WRC800	14ga (68)	50 KSI	G-90	4" x 1.5" x 7.5"
WRC1000	14ga (68)	50 KSI	G-90	4" x 1.5" x 9.5"
WRC1200	14ga (68)	50 KSI	G-90	4" x 1.5" x 11.5"



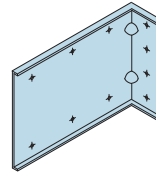
WRC1200



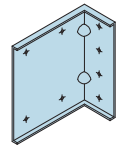
WRC1000



WRC800



WRC600



WRC362

GUSSET PLATE (UNPUNCHED) (GP)

Designed for a variety of construction connections. Used for conditions such as roof, wall and floor framing connections. GPU Plate is used for in plane truss chord connections, header to jamb connections and tension strap connections. Adapts to varying construction tolerances.

MATERIAL: See Table, 50ksi

FINISH: Galvanized coating weight as requested.

INSTALLATION:

- As specified by design.
- 16 Gauge (54 mils) .0566" Design Thickness
- 12 Gauge (97 mils) .1017" Design Thickness
- Custom sizes available upon request.

Model No.	Gauge	Size
GPU66-16	16	6" x 6"
GPU612-16	16	6" x 12"
GPU1212-16	16	12" x 12"
GPU66-12	12	6" x 6"
GPU612-12	12	6" x 12"
GPU1212-12	12	12" x 12"



Gusset Plate (Unpunched)

