

BRIDGERITE CLIP (BR)

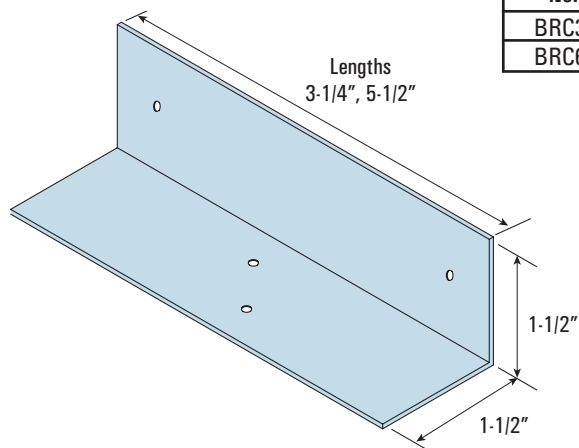
BridgeRite Clips are ready for use to attach cold rolled channel to wall studs. This easy to use clip will save time and money from having to cut longer length angles down to size.

MATERIAL: 16 ga (54) 50ksi

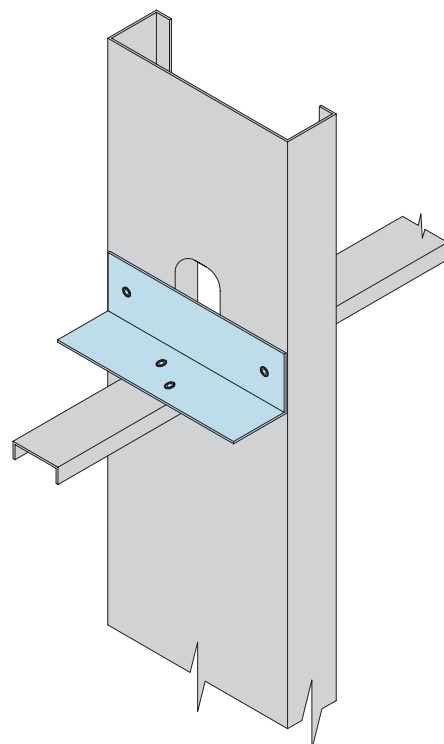
FINISH: Galvanized – G90

INSTALLATION:

- Attach BridgeRite clip to web of stud and cold rolled channel #10 - 16 screws through pre-punched holes.



Model No.	Size	Box Quantity
BRC3	3-1/4", 4"	200
BRC6	6", 8"	100



KATZ BLOCKING (KB)

Katz Blocking has been designed to provide attachment between parallel framing members. Product is pre-punched to work in 16" and 24" spacing of parallel framing members of wood or steel.

MATERIAL: See Table. 18 ga (43 mil) 33ksi; 20 ga (30 mil) 33ksi; 25 ga (18 mil) 33ksi

FINISH: Galvanized – G40

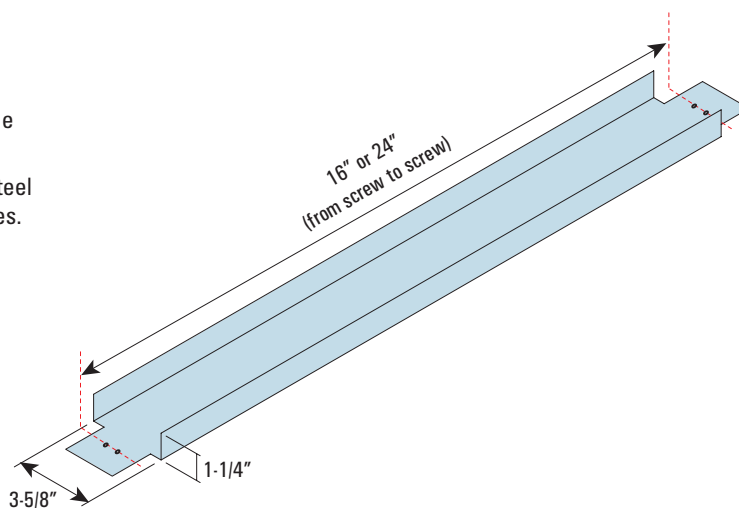
INSTALLATION:

Insert the pre-cut structural blocking to fit securely between the underside of the floor/ceiling joist or roof trusses.

Using #8 minimum self-drilling screws secure the blocking to steel framing or #8d nail to wood framing using the pre-punched holes.

Use Katz blocking at 4' o.c. or maximum specified.

For steel studs Katz are designed for 1-1/4" flanges



Model No.	Length	Gauge	Size	Pallet Qty
KATZ16	16"	25	3-5/8"	500
KATZ24	24"	25	3-5/8"	500
KATZ2024	24"	20	3-5/8"	500