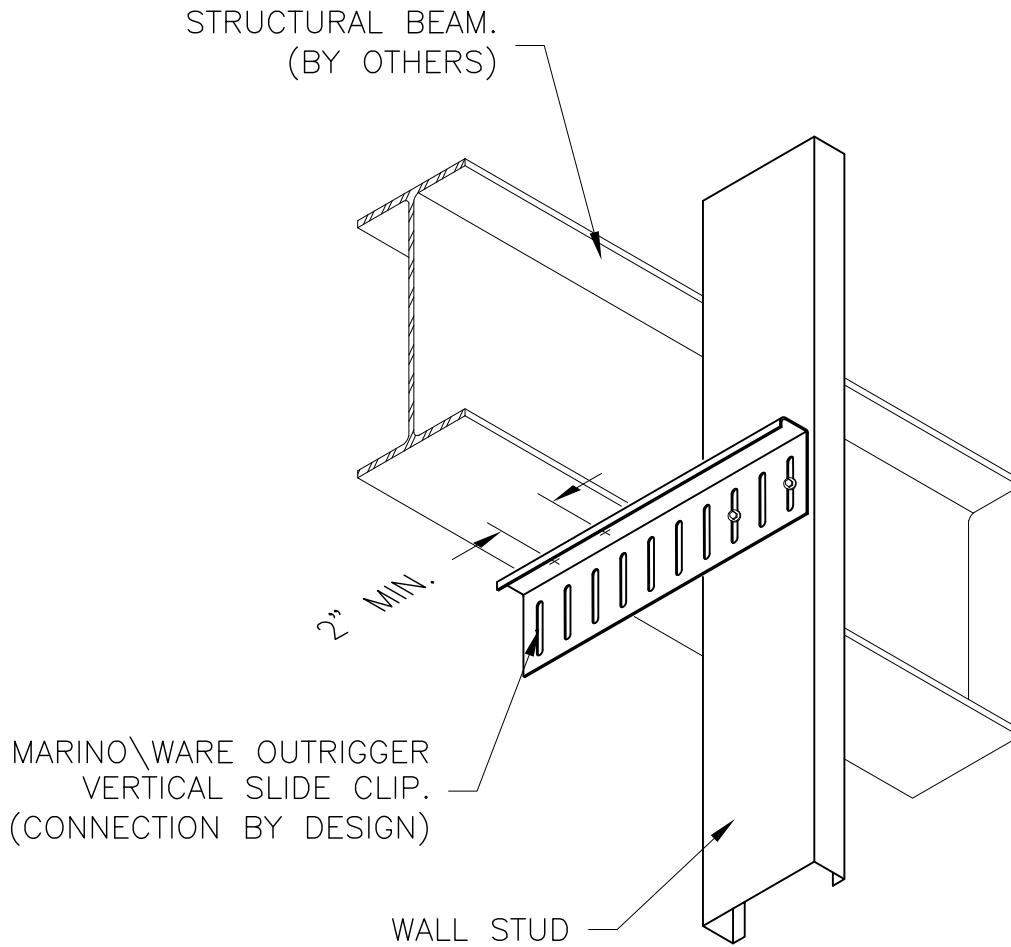


ENGINEER OF RECORD:
PLEASE VERIFY TORSIONAL
STABILITY OF BEAM.



MODEL NO.	GAUGE (MIL) YIELD	BOX QUANTITY
OUTRIGGER	16 (54) 50ksi	25
Note: 50-#14 SHOULDERED SCREWS INCLUDED PER BOX.		

OUTRIGGER VERTICAL SLIDE CONNECTION

Marino\WARE

16. CURTAINWALL DETAIL