

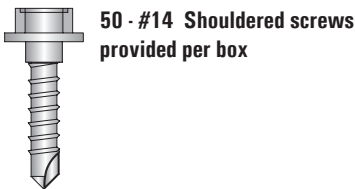
**OUTRIGGER**

Outrigger Slide Clip is used for horizontal surface applications. The outrigger comes in lengths of 18", can be field cut to shorter lengths if needed. Simple and fast to install which saves time and money. One clip fits all stud sizes, no right or left hand clips.

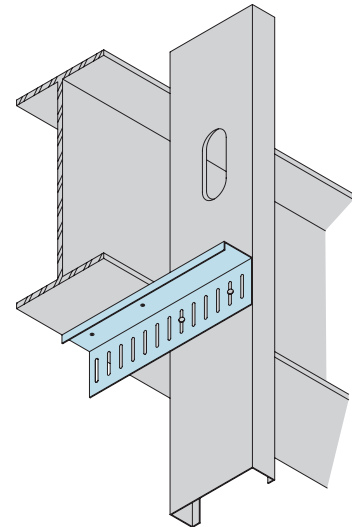
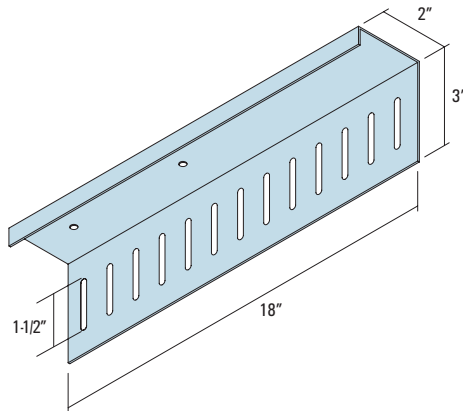
**MATERIAL:** 16 ga (54 mil) 50ksi.

**FINISH:** Galvanized – G90

**DEFLECTION:** 1-1/2" Total



50 - #14 Shouldered screws provided per box



Model No.	Gauge (Mil) Yield	Box Quantity
Outrigger	16 (54) 50ksi	25

Connection to Structure Hilti X-U Powder Actuated Fastener in 3/16" Steel				Connection to Structure #12-14 Hilti Self Drilling Screws to 3/16" Steel			
Thickness (mil/ga)	No. of Screws	No. of Anchors	Allowable Load (lbs.)	Thickness (mils/ga)	No. of Screws	No. of Anchors	Allowable Load (lbs.)
20ga. (33 mil) 33ksi	2	2	278	20ga. (33 mil) 33ksi	2	2	278
		3	278			3	278
20ga. (33 mil) 33ksi	4	4	278	20ga. (33 mil) 33ksi	4	4	278
		2	484			2	557
		3	557			3	557
18ga. (43 mil) 33ksi	2	4	557	18ga. (43 mil) 33ksi	2	4	557
		2	413			2	413
		3	413			3	413
18ga. (43 mil) 33ksi	4	4	413	18ga. (43 mil) 33ksi	4	4	413
		2	483			2	590
		3	775			3	827
16ga. (54 mil) 33ksi	2	4	827	16ga. (54 mil) 33ksi	2	4	827
		2	483			2	580
		3	580			3	580
16ga. (54 mil) 33ksi	4	4	580	16ga. (54 mil) 33ksi	4	4	580
		2	483			2	590
		3	775			3	595
16ga. (54 mil) 50ksi	2	4	910	16ga. (54 mil) 50ksi	2	4	1075
		2	483			2	590
		3	740			3	742
16ga. (54 mil) 50ksi	4	4	740	16ga. (54 mil) 50ksi	4	4	742
		2	483			2	590
		3	775			3	985
14ga. (68 mil) 50ksi	2	4	910	14ga. (68 mil) 50ksi	2	4	1075
		2	483			2	590
		3	740			3	742
14ga. (68 mil) 50ksi	4	4	740	14ga. (68 mil) 50ksi	4	4	742
		2	783			2	590
		3	783			3	985
14ga. (68 mil) 50ksi	4	4	910	14ga. (68 mil) 50ksi	4	4	1075

- Notes:
1. All anchors must be attached in a single file line down the center of the clip.
  2. All anchor data is from the Hilti 2009 Product Technical Guide.
  3. All anchors must be attached to structure per manufacturer's instructions.
  4. Anchor Spacing for 2 and 3 anchors to be min. 2".
  5. Anchor Spacing for 4 anchors to be 1" min.
  6. Anchor edge distance to be 1/2" min.