

**UTILITY CLIP (UA) - 12 GAUGE**

Utility Clips are used in a variety of framing applications including floors, walls and roofs. UA clips are pre-cut with pre-drilled holes for easy installation.

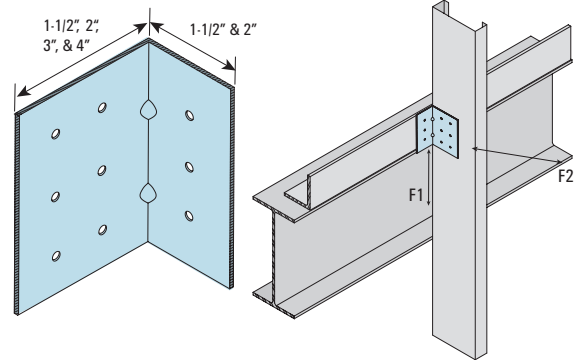
- Leg lengths available from 3-1/4" through 15-3/4". (See table for exact sizes)
- Leg widths available in 1-1/2", 2", 3" and 4".
- Available in 16, 14 and 12 gauge.
- Pre-punched for faster and more accurate fastener attachment.
- 3"x 3" Clips available (do not have embossments) See page 12

**MATERIAL:** See Table for sizes – 50ksi

**FINISH:** Galvanized – G90

**INSTALLATION:**

- Utility Clips are attached to the cold formed steel (CFS) framing members using #10 - 16 self-drilling screws; using pre-punched holes.



Utility Clips \*Hole pattern measurements are available on page 15.

UA Clips - 12 Gauge					Allowable Load (lbs)											
Model No.	Thickness (mil/ga)	Size (in.)	Box Qty	Screws	20ga (33 mil) 33 ksi		18ga (43 mil) 33 ksi		16ga (54 mil) 33 ksi		16ga (54 mil) 50 ksi		14ga (68 mil) 50 ksi		12ga (97 mil) 50 ksi	
					F1	F2	F1	F2	F1	F2	F1	F2	F1	F2	F1	F2
					UA-113-12	97 (12 ga)	1-1/2 x 1-1/2 x 3-1/4	100	3-#10	686	435	907	645	907	909	1313
UA-223-12	97 (12 ga)	2 x 2 x 3-1/4	100	3-#10	686	435	907	645	907	909	1313	1290	1589	1290	1589	1290
UA-133-12	97 (12 ga)	1-1/2 x 3 x 3-1/4	100	3-#10	686	435	907	645	907	909	1313	1290	1537	1290	1537	1290
UA-143-12	97 (12 ga)	1-1/2 x 4 x 3-1/4	50	3-#10	686	435	907	645	907	909	1313	1290	1426	1290	1426	1290
UA-115-12	97 (12 ga)	1-1/2 x 1-1/2 x 5-1/4	100	3-#10	686	435	907	645	907	909	1313	1290	1589	1290	1589	1290
UA-225-12	97 (12 ga)	2 x 2 x 5-1/4	50	3-#10	686	435	907	645	907	909	1313	1290	1589	1290	1589	1290
UA-135-12	97 (12 ga)	1-1/2 x 3 x 5-1/4	50	3-#10	686	435	907	645	907	909	1313	1290	1537	1290	1537	1290
UA-145-12	97 (12 ga)	1 1/2 x 4 x 5 1/4	50	3-#10	686	435	907	645	907	909	1313	1290	1426	1290	1426	1290
UA-118-12	97 (12 ga)	1-1/2 x 1-1/2 x 7-3/4	50	5-#10	1143	725	1512	1075	1512	1515	2188	2150	2649	2150	2649	2150
UA-228-12	97 (12 ga)	2 x 2 x 7-3/4	50	5-#10	1143	725	1512	1075	1512	1515	2188	2150	2649	2150	2649	2150
UA-138-12	97 (12 ga)	1-1/2 x 3 x 7-3/4	25	5-#10	1143	725	1512	1075	1512	1515	2188	2150	2562	2150	2562	2150
UA-148-12	97 (12 ga)	1-1/2 x 4 x 7-3/4	25	5-#10	1143	725	1512	1075	1512	1515	2188	2150	2377	2150	2377	2150
UA-119-12	97 (12 ga)	1-1/2 x 1-1/2 x 9	50	5-#10	1143	725	1512	1075	1512	1515	2188	2150	2649	2150	2649	2150
UA-229-12	97 (12 ga)	2 x 2 x 9	25	5-#10	1143	725	1512	1075	1512	1515	2188	2150	2649	2150	2649	2150
UA-139-12	97 (12 ga)	1-1/2 x 3 x 9	25	5-#10	1143	725	1512	1075	1512	1515	2188	2150	2562	2150	2562	2150
UA-149-12	97 (12 ga)	1-1/2 x 4 x 9	25	5-#10	1143	725	1512	1075	1512	1515	2188	2150	2377	2150	2377	2150
UA-1110-12	97 (12 ga)	1-1/2 x 1-1/2 x 9-3/4	50	5-#10	1143	725	1512	1075	1512	1515	2188	2150	2649	2150	2649	2150
UA-2210-12	97 (12 ga)	2 x 2 x 9-3/4	25	5-#10	1143	725	1512	1075	1512	1515	2188	2150	2649	2150	2649	2150
UA-1310-12	97 (12 ga)	1-1/2 x 3 x 9-3/4	25	5-#10	1143	725	1512	1075	1512	1515	2188	2150	2562	2150	2562	2150
UA-1410-12	97 (12 ga)	1-1/2 x 4 x 9-3/4	25	5-#10	1143	725	1512	1075	1512	1515	2188	2150	2377	2150	2377	2150
UA-1112-12	97 (12 ga)	1-1/2 x 1-1/2 x 1-13/4	25	7-#10	1600	1015	2116	1505	2116	2121	3063	3010	3709	3010	3709	3010
UA-2212-12	97 (12 ga)	2 x 2 x 11-3/4	25	7-#10	1600	1015	2116	1505	2116	2121	3063	3010	3709	3010	3709	3010
UA-1312-12	97 (12 ga)	1-1/2 x 3 x 11-3/4	25	7-#10	1600	1015	2116	1505	2116	2121	3063	3010	3586	3010	3586	3010
UA-1412-12	97 (12 ga)	1-1/2 x 4 x 11-3/4	25	7-#10	1600	1015	2116	1505	2116	2121	3063	3010	3328	3010	3328	3010
UA-1114-12	97 (12 ga)	1-1/2 x 1-1/2 x 13-3/4	25	9-#10	2057	1305	2721	1935	2721	2727	3938	3870	4768	3870	4768	3870
UA-2214-12	97 (12 ga)	2 x 2 x 13-3/4	25	9-#10	2057	1305	2721	1935	2721	2727	3938	3870	4768	3870	4768	3870
UA-1314-12	97 (12 ga)	1-1/2 x 3 x 13-3/4	15	9-#10	2057	1305	2721	1935	2721	2727	3938	3870	4611	3870	4611	3870
UA-1414-12	97 (12 ga)	1-1/2 x 4 x 13-3/4	15	9-#10	2057	1305	2721	1935	2721	2727	3938	3870	4279	3870	4279	3870
UA-1116-12	97 (12 ga)	1-1/2 x 1-1/2 x 15-3/4	25	9-#10	2057	1305	2721	1935	2721	2727	3938	3870	4768	3870	4768	3870
UA-2216-12	97 (12 ga)	2 x 2 x 15-3/4	15	9-#10	2057	1305	2721	1935	2721	2727	3938	3870	4768	3870	4768	3870
UA-1316-12	97 (12 ga)	1-1/2 x 3 x 15-3/4	15	9-#10	2057	1305	2721	1935	2721	2727	3938	3870	4611	3870	4611	3870
UA-1416-12	97 (12 ga)	1-1/2 x 4 x 15-3/4	15	9-#10	2057	1305	2721	1935	2721	2727	3938	3870	4279	3870	4279	3870

**Notes:**

1. Allowable loads have not been increased for wind or seismic.
2. Allowable strength shown is the lowest value from the four failure modes: screw tilting/bearing, screw shear, screw pull-over and the serviceability limit state of 1/8" deflection of CFS members.
3. It is the responsibility of design professional to design the connection of UA connectors to the supporting structure. In the test program, this connection was made with cap screws with a head diameter of 0.29". The allowable loads should be conservative for any fastener with a header diameter equal to or greater than 0.29".
4. F1=Shear, F2=Tension