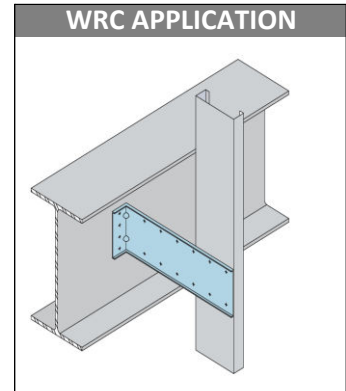
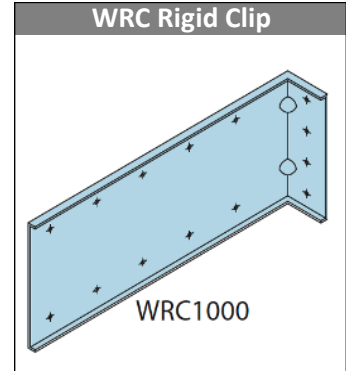


Marino\WARE® Product Submittal Data

MARINO\WARE PART # WRC1000 Rigid Clip

MATERIAL: See Table
FINISH: Galvanized – G90

| Part No. | Ga/Mil | Yeild | Finish | Size |
|----------|-----------|--------|--------|-------------------|
| WRC362 | 14ga (68) | 50 KSI | G-90 | 4" x 1.5" x 3.5" |
| WRC600 | 14ga (68) | 50 KSI | G-90 | 4" x 1.5" x 5.5" |
| WRC800 | 14ga (68) | 50 KSI | G-90 | 4" x 1.5" x 7.5" |
| WRC1000 | 14ga (68) | 50 KSI | G-90 | 4" x 1.5" x 9.5" |
| WRC1200 | 14ga (68) | 50 KSI | G-90 | 4" x 1.5" x 11.5" |



- GREEN INFO** LEED® v3
 Available LEED® points in the following categories:
- MR Credit 2 - Construction Waste Management (1-2 points)
 - MR Credit 4 - Recycled Content (1-2 points)
 - MR Credit 5 - Regional Materials (1-2 points)
- Total Recycled Content: 34.9%
 •Post Consumer Content: 24.3%
 •Pre Consumer (Post Industrial) Content: 9.4%



For more information, please contact Marino\WARE Technical Services at 866-545-1545.

This technical information reflects the most current information available and supersedes any and all publications, effective 12/1/2010.
 © Copyright 2010 by Ware Industries, Inc. All rights reserved