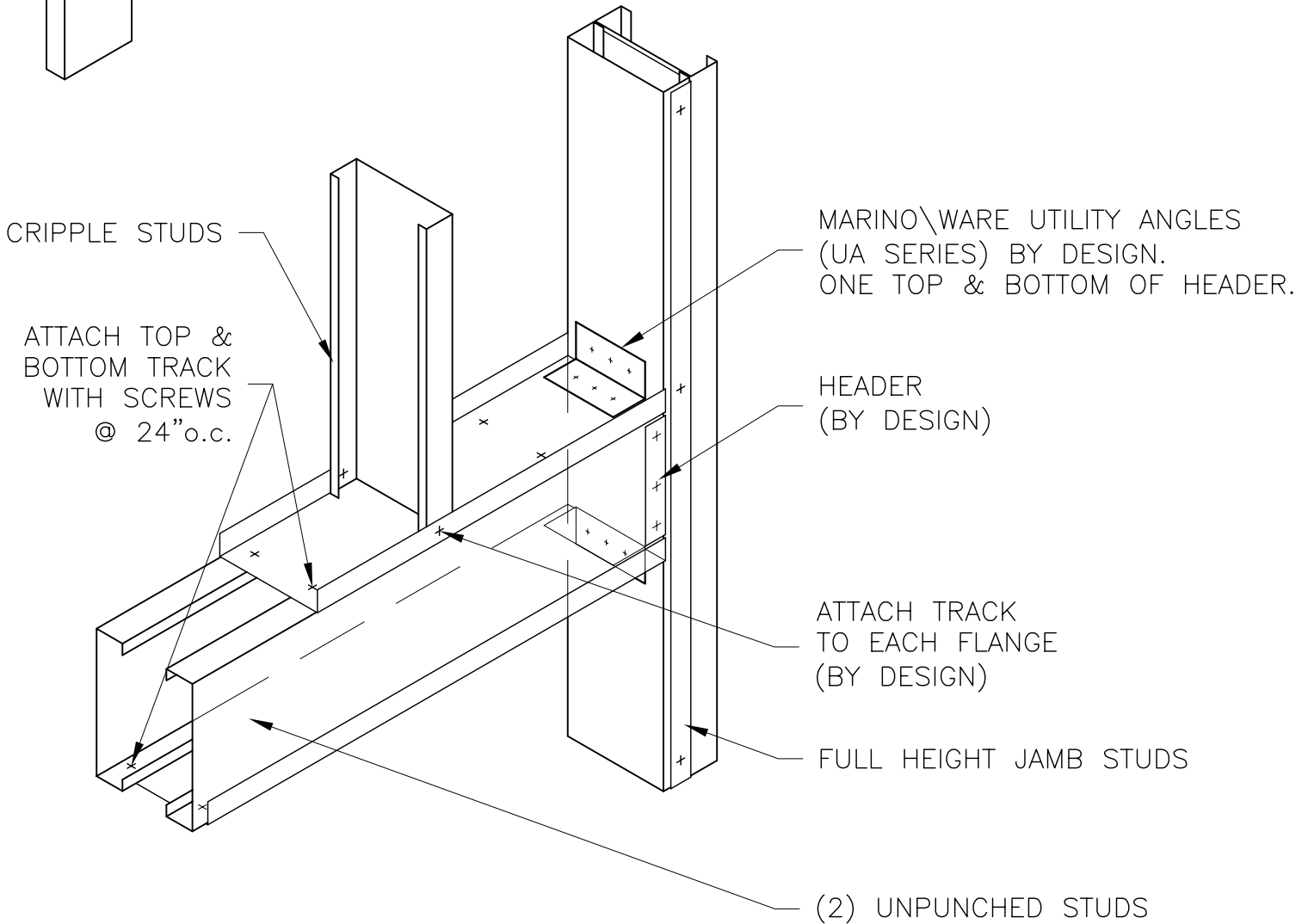


SECTION OF 18ga MIN. TRACK.
LENGTH $1\frac{1}{4}$ " LESS THAN HEADER DEPTH.

HEADER ATTACHMENT



LARGE OPENING BOXED HEADER

Marino\WARE

7. CURTAINWALL DETAIL