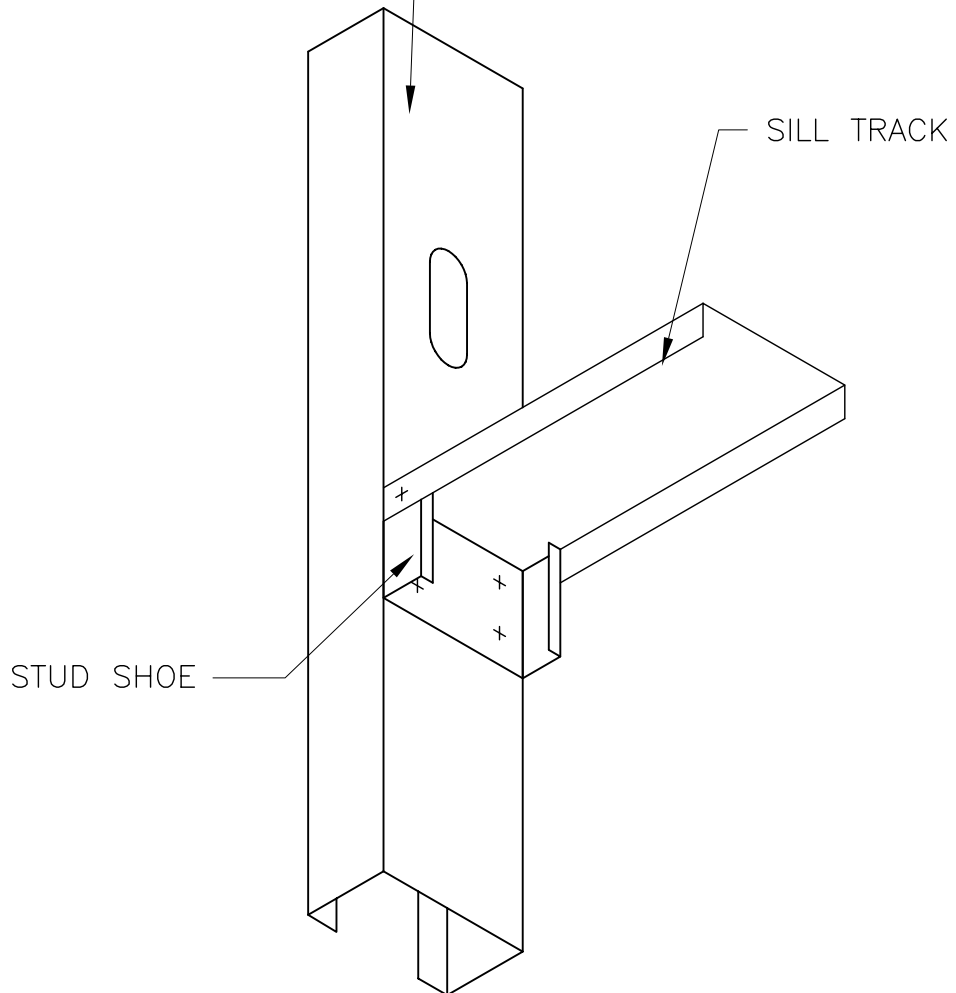


ATTACH QUICKFRAME JAMB
TO BOTTOM TRACK WITH
WITH SCREWS



SILL TRACK CONNECTION TO
QUICKFRAME HEADER SYSTEM

Marino\WARE

12. CURTAINWALL DETAIL