

# Marino\WARE® Product Submittal Data

## MARINO\WARE PART # QuickFrame Clip

**MATERIAL:** 68 mil (14 gauge) 50 KSI

**FINISH:** Galvanized – G90

**INSTALLATION:** Attach QuickFrame Clip with a minimum of 4, #10-16 screws to the QuickFrame (QFJ) and QuickFrame Header (QFH).

MODEL NO.	GAUGE	SIZE (in)
QFC362300	14	3-1/2 x 3-1/8
QFC400300	14	3-7/8 x 3-1/8
QFC600300	14	5-7/8 x 3-1/8
QFC800300	14	7-7/8 x 3-1/8
QFC362350	14	3-1/2 x 3-5/8
QFC400350	14	3-7/8 x 3-5/8
QFC600350	14	5-7/8 x 3-5/8
QFC800350	14	7-7/8 x 3-5/8

### LATERAL LOADS (LBS):

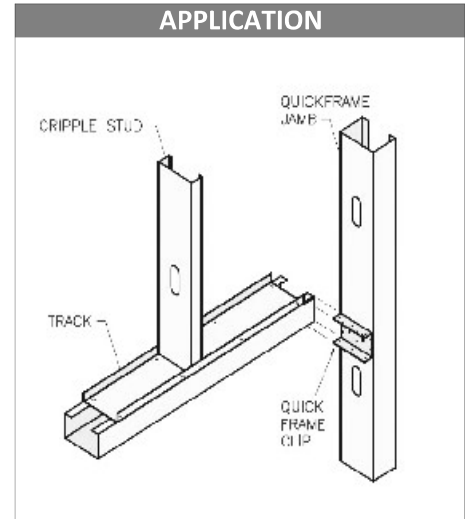
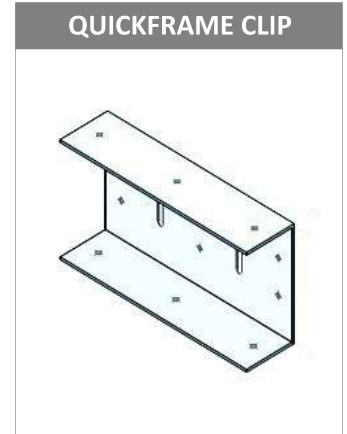
Model No.	QuickFrame Member			
	16ga (54 mil)	14ga (68 mil)	12ga (97 mil)	10ga (118 mil)
	50 KSI			
QFC362300	1,330	1,330	2,160	2,160
QFC400300	1,330	1,330	2,160	2,160
QFC600300	1,490	1,490	2,300	2,300
QFC800300	1,490	1,490	2,300	2,300
QFC362350	1,500	1,500	2,480	2,480
QFC400350	1,480	1,480 </td <td>2,300</td> <td>2,300</td>	2,300	2,300
QFC600350	1,480	1,480	2,300	2,300
QFC800350	1,480	1,480	2,300	2,300

### VERTICAL LOADS (LBS):

Model No.	QuickFrame Member							
	16ga (54 mil)		14ga (68 mil)		12ga (97 mil)		10ga (118 mil)	
	50 KSI							
	0" Gap	1/4" gap	0" Gap	1/4" gap	0" Gap	1/4" gap	0" Gap	1/4" gap
QFC362300	1,090	948	1,090	948	1,630	1,418	1,630	1,418
QFC400300	1,030	896	1,030	896	1,380	1,200	1,380	1,200
QFC600300	1,030	896	1,030	896	1,380	1,200	1,380	1,200
QFC800300	1,030	896	1,030	896	1,380	1,200	1,380	1,200
QFC362350	940	818	940	818	1,430	1,244	1,430	1,244
QFC400350	940	818	940	818	1,430	1,244	1,430	1,244
QFC600350	1,030	896	1,030	896	1,710	1,488	1,710	1,488
QFC800350	1,030	896	1,030	896	1,710	1,488	1,710	1,488

Notes:

- A. Tabulated values are based on #10-16 screws with ultimate shear capacity of 1,600 lbs. per screw.
- B. Allowable loads have not been increased for wind or seismic.
- C. Use the squared interaction equations when QFC is subjected to both vertical and lateral loads.
- D. Tabulated vertical loads are limited to max 1/8" vertical displacement of the clip
- E. Up to 1/4" gap is permitted between the end of the QF Header and the QF Jamb. Allowable loads are listed for 0" gap and 1/4" gap. Linear interpolation is permitted between gaps.



For more information, please contact Marino\WARE Technical Services at 866-545-1545.

This technical information reflects the most current information available and supersedes any and all publications, effective 3/14/2024  
© Copyright 2024 by Ware Industries, Inc. All rights reserved