

Design/System/Construction/Assembly Usage Disclaimer

- Authorities Having Jurisdiction should be consulted in all cases as to the particular requirements covering the installation and use of UL Certified products, equipment, system, devices, and materials.
- Authorities Having Jurisdiction should be consulted before construction.
- Fire resistance assemblies and products are developed by the design submitter and have been investigated by UL for compliance with applicable requirements. The published information cannot always address every construction nuance encountered in the field.
- When field issues arise, it is recommended the first contact for assistance be the technical service staff provided by the product manufacturer noted for the design. Users of fire resistance assemblies are advised to consult the general Guide Information for each product category and each group of assemblies. The Guide Information includes specifics concerning alternate materials and alternate methods of construction.
- Only products which bear UL's Mark are considered Certified.

BXUV - Fire Resistance Ratings - ANSI/UL 263 Certified for United States

BXUV7 - Fire Resistance Ratings - CAN/ULC-S101 Certified for Canada

See General Information for Fire-resistance Ratings - ANSI/UL 263 Certified for United States Design Criteria and Allowable Variances

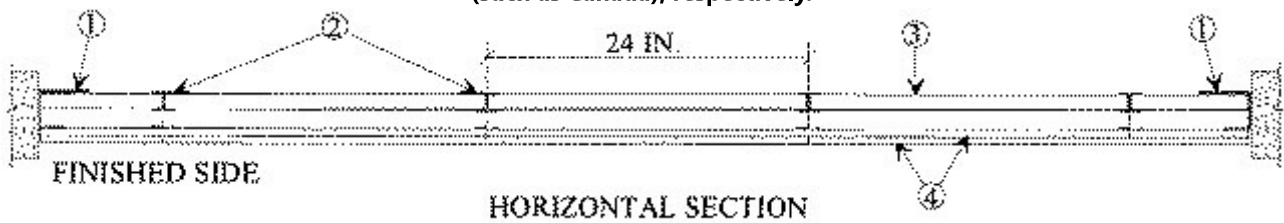
See General Information for Fire Resistance Ratings - CAN/ULC-S101 Certified for Canada Design Criteria and Allowable Variances

Design No. **U497**

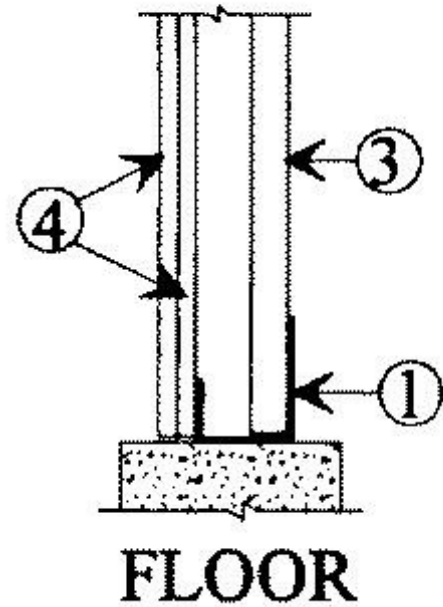
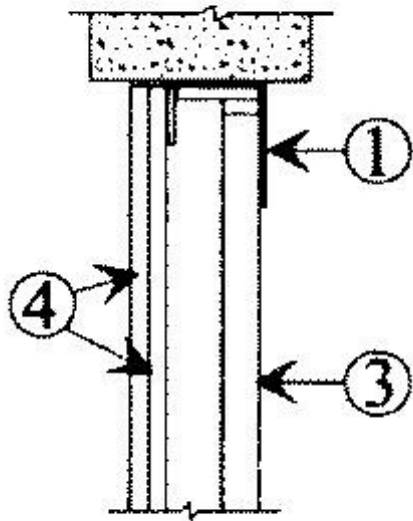
April 14, 2022

**Nonbearing Wall Rating — 2 Hr**

\* Indicates such products shall bear the UL or cUL Certification Mark for jurisdictions employing the UL or cUL Certification (such as Canada), respectively.



## CEILING



## FLOOR

1. **Channel Track** — "J" -shaped channel, 2-1/2 in. deep with unequal legs of 1 in. and 2 in., fabricated from No. 25 MSG galv steel. Channel positioned with short leg toward finished side of wall. Channel attached to structural supports with steel fasteners located not greater than 2 in. from ends and not greater than 24 in. OC.

2. **Steel Studs** — "I" -shaped studs, min 2-1/2 in. deep by 1-1/2 in. wide, fabricated from min 25 MSG galv steel. Cut to lengths 1/2 in. less than floor to ceiling height and spaced 24 in. OC.

2A. **Steel Studs** — (Not Shown) — "C-H" -shaped studs, min 2-1/2 in. deep by 1-1/2 in. wide, fabricated from min 25 MSG galv steel. Cut to lengths 1/2 in. less than floor to ceiling height and spaced 24 in. OC.

2B. **Steel Studs** — (Not Shown) — "C-T" -shaped studs, min 2-1/2 in. deep by 1-1/2 in. wide, fabricated from min 25 MSG galv steel. Cut to lengths 1/2 in. less than floor to ceiling height and spaced 24 in. OC.

2C. **Furring Channels** — (Optional, not shown) - Resilient furring channels fabricated from min. 25 MSG corrosion protected steel, installed horizontally, and spaced vertically a max. 24 in. OC. Flange portion of channel attached to each intersecting stud on side of stud opposite the 1 in. liner panels with 1/2 in. long Type S or S-12 pan-head steel screws. When furring channels are used, wallboard to be installed vertically.

3. **Gypsum Board\*** — 1 in. thick gypsum wallboard liner panels, supplied in nom 24 in. widths. Panels cut 1 in. less in length than floor to ceiling heights. Vertical edges inserted in "I" studs. Free edge of end panels attached to long leg of channel track with 1-5/16 in. long Type S self-drilling, self-tapping bugle head steel screws spaced 1 in. in from both edges.

**NATIONAL GYPSUM CO** — Types FSW, FSW-B, FSW-7, FSW-9

4. **Gypsum Board\*** — 1/2 in. thick, 4 ft wide wallboard applied vertically in two layers. Inner or base layer attached to studs with 1 in. long Type S self-drilling, self-tapping bugle head steel screws spaced 24 in. OC along the edges and in the field of the boards. Outer or face layer attached to studs and channel track with 1-5/8 in. long Type S self-drilling, self-tapping bugle head steel screws spaced 12 in. along the edges and in the field of the boards, staggered from screws in inner layer. When Furring Channels (Item 2C) are used, inner or base layer attached to furring channels with 1 in. long Type S self-drilling, self-tapping bugle head steel screws. Outer or face layer attached to furring channels with 1-5/8 in. long Type S self-drilling, self-tapping bugle head steel screws spaced 12 in. OC and staggered 12 in. from base layer screws. Joints between inner and outer layers staggered. Outer layer joints covered with paper tape and joint compound. Exposed screw heads covered with joint compound.

**AMERICAN GYPSUM CO** — Type AG-C

**CERTAINTED GYPSUM INC** — Type C

**CGC INC** — Types C, IP-X2, IPC-AR

**CERTAINTED GYPSUM INC** — Type LGFC-C/A

**GEORGIA-PACIFIC GYPSUM L L C** — Types DAPC, TG-C

**NATIONAL GYPSUM CO** — Types eXP-C, FSK-C, FSW-G, FSW-C, FSMR-C.

**PANEL REY S A** — Type PRC

**SAINT-GOBAIN GYPROC MIDDLE EAST FZE** — Type Gyproc FireStop, Gyproc FireStop MR, Gyproc FireStop M2TECH, Gyproc FireStop ACTIV'Air, Gyproc FireStop MR ACTIV'Air, Gyproc FireStop M2TECH ACTIV'Air

**THAI GYPSUM PRODUCTS PCL** — Type C.

**UNITED STATES GYPSUM CO** — Types C, IP-X2, IPC-AR.

**USG BORAL DRYWALL SFZ LLC** — Type C

**USG MEXICO S A DE C V** — Types C, IP-X2, IPC-AR.

4A. **Gypsum Board\*** — (As an alternate to Item 4) — 5/8 in. thick. Two layers installed as described in Item 4.

**CGC INC** — Type ULIX.

**NATIONAL GYPSUM CO** — Types eXP-C, FSMR-C, FSK, FSK-C, FSK-G, FSL, FSW-C, FSW-G, FSW, FSW-3, FSW-5, FSW-6, and FSW-8

**UNITED STATES GYPSUM CO** — Type ULIX

4B. **Gypsum Board\*** — (As an alternate to Items 4 and 4A) — Nominal 5/8 in. thick, 4 ft wide panels, two layers applied vertically only and secured as described in Item 4.

**NATIONAL GYPSUM CO** — SBWB

4C. **Gypsum Board\*** — (As an alternate to Item 4) — Two layers installed as described in Item 4. Base and face layer screw lengths increased min 1/8 and 1/4 in., respectively.

**PANEL REY S A** — Type PRX2

5. **Batts and Blankets\*** — (Optional, not shown)-Mineral wool or glass fiber batts partially or completely filling stud cavity. Any mineral wool or glass fiber batt bearing the UL Classification Marking as to Fire Resistance. See **Batts and Blankets** (BZJZ) category for names of Classified companies.

**\* Indicates such products shall bear the UL or cUL Certification Mark for jurisdictions employing the UL or cUL Certification (such as Canada), respectively.**

Last Updated on 2022-04-14

---

The appearance of a company's name or product in this database does not in itself assure that products so identified have been manufactured under UL Solutions' Follow - Up Service. Only those products bearing the UL Mark should be considered to be Certified and covered under UL Solutions' Follow - Up Service. Always look for the Mark on the product.

UL Solutions permits the reproduction of the material contained in Product iQ subject to the following conditions: 1. The Guide Information, Assemblies, Constructions, Designs, Systems, and/or Certifications (files) must be presented in their entirety and in a non-misleading manner, without any manipulation of the data (or drawings). 2. The statement "Reprinted from Product iQ with permission from UL Solutions" must appear adjacent to the extracted material. In addition, the reprinted material must include a copyright notice in the following format: "©2024 UL LLC."