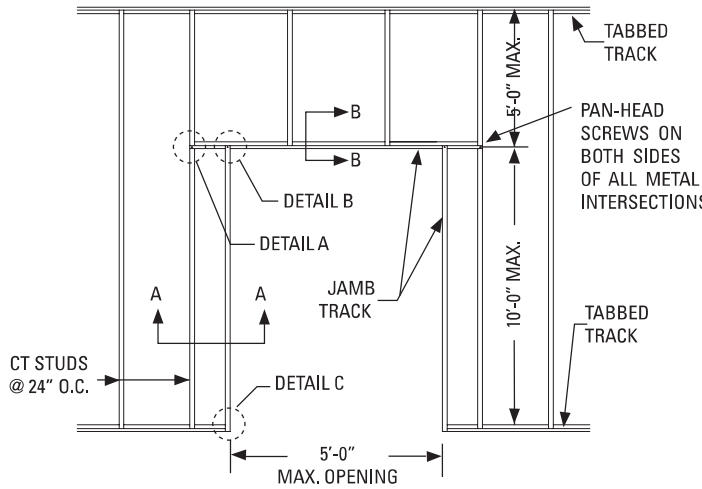


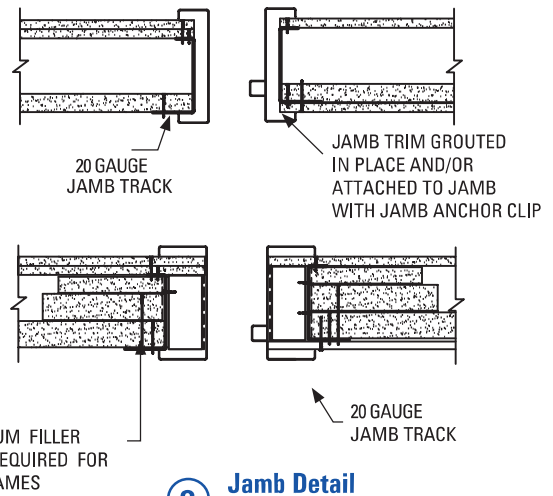
SHAFTWALL SYSTEMS SUGGESTED CONSTRUCTION DETAILS



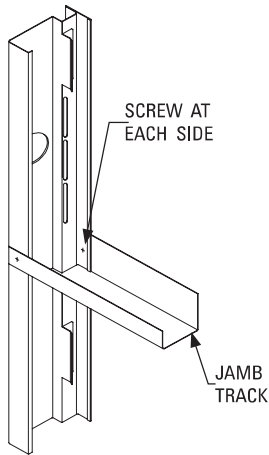
NOTES:

- A.) FRAMING AT ELEVATOR DOOR SHALL BE MINIMUM 4" CT-STUDS AND RUNNERS 20 GAUGE.
- B.) FOR DOOR GREATER THAN 5' WIDE AND 10' HIGH, IT NEEDS TO BE INVESTIGATED SEPARATELY.

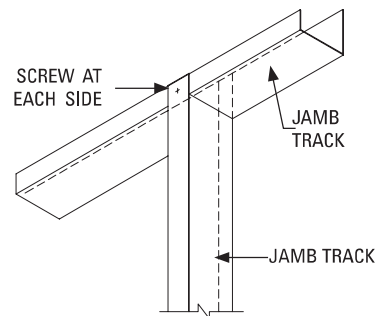
1 Door Frame Elevation



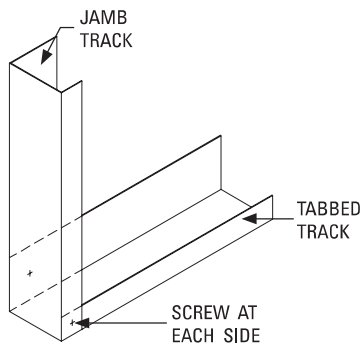
2 Jamb Detail Section A-A



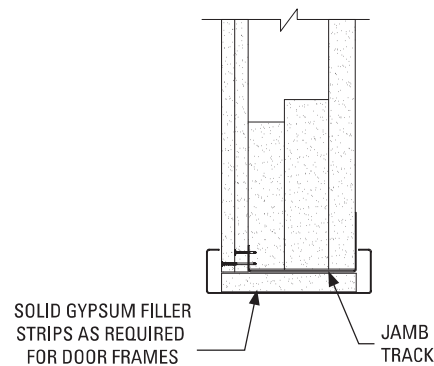
3 Header Detail Detail A



4 Header Detail Detail B

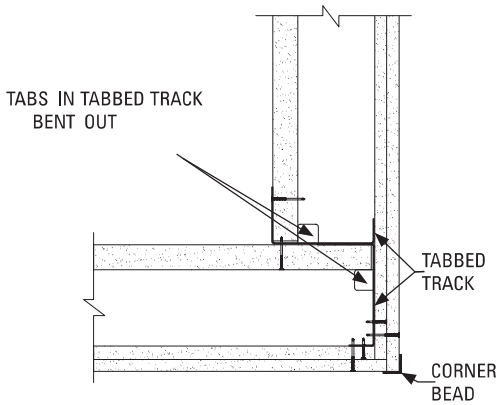


5 Jamb Detail Detail C

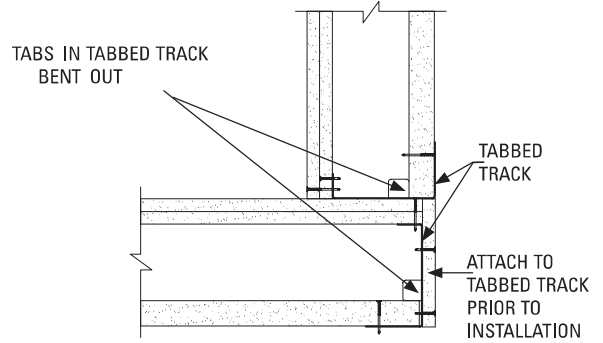


6 Header Detail Section B-B

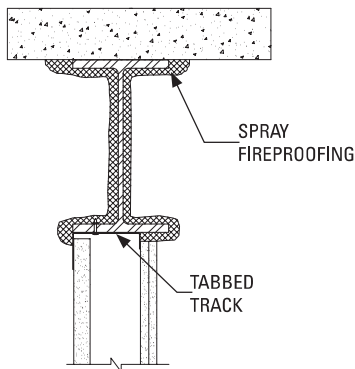
SHAFTWALL SYSTEMS SUGGESTED CONSTRUCTION DETAILS



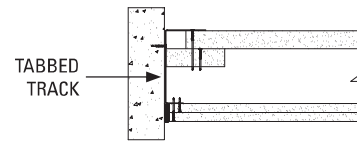
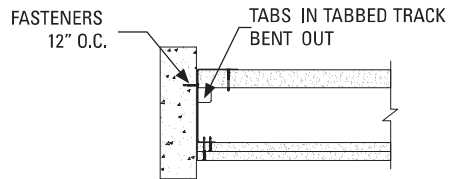
7 Outside Corner Detail



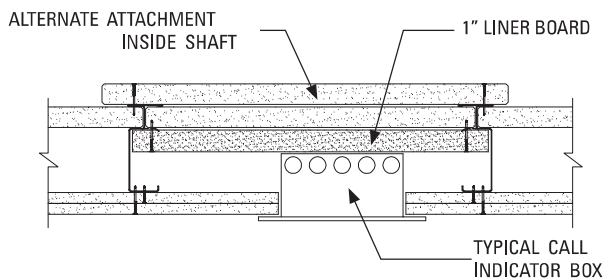
8 Inside Corner Detail



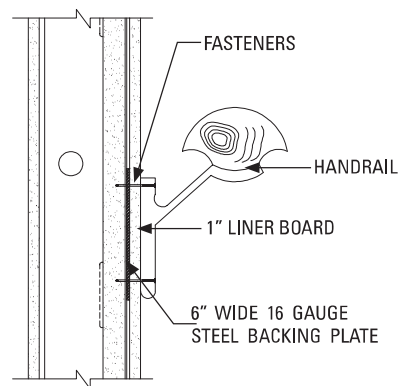
9 Steel Beam Detail



10 End of Wall Detail



11 Call Box/Outlet Box/Mail Chute



12 Handrail Connection