



PRODUCT CATALOG



100% American-Owned and Operated | marinoware.com



THE BEST PRODUCTS, QUALITY, AND CUSTOMER SERVICE.

Our large inventory of both finished products and coil steel allow us to readily satisfy your requests. Our fleet of trucks assures prompt deliveries and in many instances, next day delivery. Our experienced sales team, coupled with an extensive distribution network, make MarinoWARE® the obvious choice for your project.

MarinoWARE®, a division of Ware Industries, is a long-standing manufacturer of steel framing products, and is committed to leading the industry in innovation, quality materials and customer service. Headquartered in South Plainfield, N.J., it has produced steel solutions for more than 70 years, and offers a wide choice of framing components and connectors that save their customers time, labor and cost. MarinoWARE® operates state-of-the-art production facilities in New Jersey, Georgia, and Indiana, as well as a sales office in New York.

For more information on our products and services, call 1-800-627-4661 or visit www.MarinoWARE.com.

**IBC2021
COMPLIANT**



ESR-4062



Warranty & Limitations

All products presented herein are warranted to the buyer to be free from defects in material and workmanship. The foregoing warranty is non-assignable and in lieu of and excludes all other warranties not expressly set forth herein, whether express or implied by operation of law or otherwise, including but not limited to any implied warranties of merchantability or fitness for a particular purpose. All details and specifications presented herein are intended as a general guide for the use of MarinoWARE® framing systems. These products should not be used without evaluation by a qualified engineer or architect to determine their suitability for a specific use.

MarinoWARE® assumes no responsibility for failure resulting from use of its details or specifications, or for failure resulting from improper application or installation of these products.

Governing Law

All issues arising in connection with your order and all transactions associated with it shall be interpreted according to the laws of the State of New Jersey, and all actions or other proceedings arising out of such issues shall be brought only in Superior Court, State of New Jersey, County of Essex, or United States District Court for the District of New Jersey. No action may be brought more than one year after accrual of the cause of action therefore.

TABLE OF CONTENTS

| | | | |
|---|-------|---|-------|
| Nomenclature Example | 4 | Combined Axial and Lateral Loads 8" Members | 38-40 |
| Framing Components | 5 | Combined Axial and Lateral Load Illustrations | 41 |
| General Information | 6 | Mechanical Bridging | 42 |
| Stud Section Properties | 7-9 | Floor Joist Illustrations, Notes | 43 |
| Web Depth-to-Thickness Ratios | 10 | Floor Joist Spans 10 psf Dead Load and 20 psf Live Load . . . | 44-45 |
| Allowable Screw Connection Capacities | 10 | Floor Joist Spans 10 psf Dead Load and 30 psf Live Load . . . | 46-47 |
| Weld Capacities | 10 | Floor Joist Spans 10 psf Dead Load and 40 psf Live Load . . . | 48-49 |
| Track Section Properties | 11 | Floor Joist Spans 10 psf Dead Load and 50 psf Live Load . . . | 50-51 |
| Interior Limiting Heights | 14-17 | Floor Joist Spans 15 psf Dead Load and 125 psf Live Load . . | 52-53 |
| Curtainwall Single Span Tables | 18-22 | Floor Joist Spans 40 psf Dead Load and 125 psf Live Load . . | 54-55 |
| Curtainwall Double Span Tables | 23-27 | Header Loads, Illustrations | 56-57 |
| Curtainwall Illustrations | 28 | Web Crippling | 58 |
| Diagonal Cross Bracing | 29 | Web Crippling Loads Single Members | 59 |
| Combined Axial and Lateral Loads 3 5/8" Members | 30-32 | Web Crippling Loads Back-to-Back Members | 60 |
| Combined Axial and Lateral Loads 4" Members | 33-35 | Ceiling Span (C-Section) Notes, Illustrations | 61-62 |
| Combined Axial and Lateral Loads 6" Members | 35-38 | Allowable Ceiling Spans | 63 |



ASTM SPECIFICATION DESCRIPTIONS

A1003 - Standard specification for steel sheet, carbon, metallic and nonmetal-coated for cold formed framing members

A653 - Standard specification for steel sheet, zinc-coated (galvanized) or zinc-iron alloy coated by galvannealed hot-dip process

A924 - Standard specification for general requirements for steel sheet, metallic-coated galvannealed by the hot-dip process

C754 - Standard specification for installation of steel framing members to receive screw-attached gypsum panel products

C955 - Standard specification for load-bearing (transverse and axial) steel studs, runners (tracks), and bracing or bridging for screw application of gypsum panel products and metal plaster bases

CODE COMPLIANCE - ICC-ES ESR#4062

AISI STANDARDS

AISI S100-16/S2-20 North American Specification for the Design of Cold-Formed Steel Structural Members

AISI S240 - North American Standard for Cold-Formed Steel Structural Framing

TECHNICAL SERVICES

Marino\WARE offers its customers free expert technical assistance with the selection and use of our products. If you have questions or need more information on any of the products listed in this catalog, contact our Technical Services department. Our knowledgeable staff is ready to assist you. In most cases Technical Services representatives can provide immediate responses.

Technical Services can be reached at 866-545-1545, or at technicalservices@marinoware.com.

LEED® INFORMATION - MATERIALS & RESOURCES

Marino\WARE® is proud to support the building industry in its efforts to create sustainable commercial and residential buildings. We support the Leadership in Energy & Environmental Design (LEED®) program and have LEED® accredited professionals on staff. Using products manufactured by Marino\WARE® can help in accumulating LEED® points in several categories.

NOMENCLATURE EXAMPLE

600 S 162 - 54

| MEMBER DEPTH | TYPE | FLANGE WIDTH | MILS TO GAUGE |
|--------------|-----------------------|--------------|-----------------|
| 250 = 2-1/2" | S = Stud T = Track | 137 = 1-3/8" | 33 = 20 STR ga. |
| 362 = 3-5/8" | | 162 = 1-5/8" | 43 = 18 ga. |
| 400 = 4" | | 200 = 2" | 54 = 16 ga. |
| 600 = 6" | | 250 = 2-1/2" | 68 = 14 ga. |
| 800 = 8" | | 300 = 3" | 97 = 12 ga. |
| 1000 = 10" | | 350 = 3-1/2" | 118 = 10 ga. |
| 1200 = 12" | | | |
| 1400 = 14" | | | |
| 1600 = 16" | | | |

| MILS | MINIMUM THICKNESS (in.) | DESIGN THICKNESS (in.) | INSIDE BEND RADIUS (in.) | GAUGE | COLOR CODE | MEMBER | FLANGE WIDTH | RETURN LIP |
|------|-------------------------|------------------------|--------------------------|---------------|------------|--------|--------------|------------|
| 33 | 0.0329 | 0.0346 | 0.076 | 20 Structural | WHITE | S137 | 1-3/8" | 0.375 |
| 43 | 0.0428 | 0.0451 | 0.071 | 18 | YELLOW | S162 | 1-5/8" | 0.500 |
| 54 | 0.0538 | 0.0566 | 0.085 | 16 | GREEN | S200 | 2" | 0.625 |
| 68 | 0.0677 | 0.0713 | 0.107 | 14 | ORANGE | S250 | 2-1/2" | 0.625 |
| 97 | 0.0966 | 0.1017 | 0.153 | 12 | RED | S300 | 3" | 0.625 |
| 118 | 0.1180 | 0.1242 | 0.186 | 10 | BLUE | S350 | 3-1/2" | 1.000 |

Minimum thickness represents 95% of the design thickness and is the minimum acceptable thickness delivered to the project site based on section B7.1 of AISI S100.



Symbols and Definitions

Gross Properties

| | |
|-------|--------------------------------|
| I_x | Moment of inertia about x-axis |
| S_x | Section modulus about x-axis |
| r_x | Radius about x-axis |
| I_y | Moment of inertia about y-axis |
| r_y | Radius about y-axis |

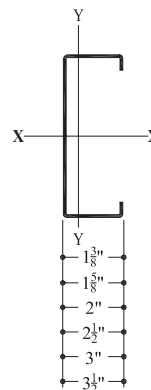
Effective Properties

| | |
|------------|---|
| I_{xd} | Deflection moment of inertia about x-axis |
| S_{xe} | Section modulus about x-axis |
| M_{al} | Allowable moment based on local buckling |
| M_{ad} | Allowable moment based on distortional buckling, assuming $K_b = 0$ |
| M_a | Allowable moment for track and channel sections based on local buckling |
| V_{ag} | Allowable strong axis shear away from punchout, per AISI Section C3.2.1 |
| V_{anet} | Allowable strong axis shear at punchout, per AISI Section 3.2.2 |

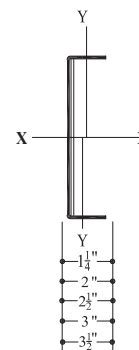
Torsional and other Properties

| | |
|-------|--|
| J | Saint-Venant torsion constant. The values shown in the tables have been multiplied by 1,000. To obtain the actual values, divide table values by 1,000 |
| C_w | Torsional warping constant |
| x_o | Distance from shear center to centroid along principal x-axis |
| m | Distance from shear center to mid-plane of web |
| r_o | Polar radius of gyration about shear center |
| B | $1 - (x_o / r_o)^2$ |
| L_u | Limit of unbraced length below which lateral-torsional buckling is not considered |
| K_b | Rotational stiffness |

STUD



TRACK



FRAMING MEMBERS

STUD AND JOISTS (CW, SW, J, JE, JX, & JXW)

Studs serve as a general all purpose framing component used in a variety of applications including exterior curtainwalls, load bearing walls, headers, floor & roof joists, soffits and truss frame components.

TRACK (T & DT)

Track is used as a closure to stud and joist ends as well as head and sill conditions. It is also used for blocking and bridging conditions.

C-STUDS (CW, SW, J, JE, JX & JXW)

| MIW | GAUGES | WEB | FLANGE | RETURN LIP |
|------|---------|--------------|--------|------------|
| CW | 20 - 14 | 2-1/2" - 8" | 1-3/8" | 3/8" |
| SW | 20 - 10 | 2-1/2" - 16" | 1-5/8" | 1/2" |
| J | 20 - 10 | 2-1/2" - 16" | 2" | 5/8" |
| JE• | 18 - 10 | 3-5/8" - 16" | 2-1/2" | 5/8" |
| JX• | 16 - 10 | 3-5/8" - 16" | 3" | 5/8" |
| JXW• | 16 - 10 | 3-5/8" - 16" | 3-1/2" | 1" |

TRACK (T & DT)

| MIW | GAUGES | FLANGE | WEB |
|-----|---------|---------|--------------|
| T | 20 - 10 | 1-1/4" | 2-1/2" - 16" |
| DT | 20 - 10 | 2" MIN. | 2-1/2" - 16" |

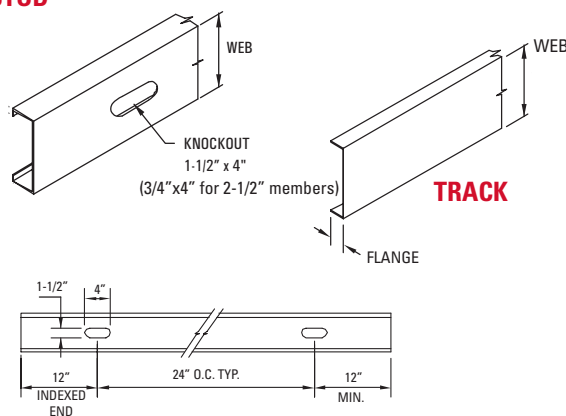
Notes:

1. Products shown with • symbol will be available subject to minimum order quantities.
2. 10'-0" standard length. Custom orders are available.

WEB KNOCKOUT SIZE AND LOCATION

MarinoWARE studs and joists are manufactured with knockouts in the web to accommodate mechanical and electrical installation. The knockout is provided 12" from the indexed end and the intermediate knockouts are placed at 24" o.c. intervals. Unpunched studs are available upon request.

STUD



WEB STIFFENERS (JS)

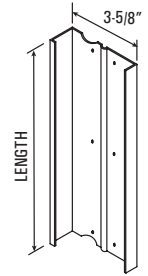
Web Stiffeners are used to provide reinforcement of joist webs to prevent crippling. Web reinforcement is often required by design to enhance the load capacity of joists.

LENGTH: 8", 9 1/4", 10", 11- 1/4, 12", 14"
(inside or outside)

WIDTH: 3 5/8"

INSTALLATION:

- Centered within the load or reaction bearing width.
- Installed on the inside or outside of the joist.
- Web stiffeners require full bearing along their supported ends.
- (4-6) #10 -16 screws are required to attach the stiffener to the joist web using pre-punched holes.



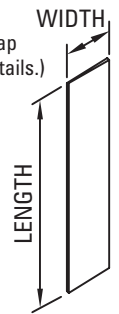
FLAT STRAP

Tension component of shear wall assemblies. Component of strap & blocking for bridging applications. (*See page 25 for more details.)

USE:

Tension component of shear wall assemblies. Component of strap and blocking for bridging application.

AVAILABLE GAUGES: 20, 18, 16, 14, 12 & 10 Gauges.
LENGTH: As required by purchaser.



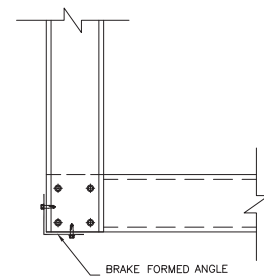
BRAKE FORMED ACCESSORIES

USE:

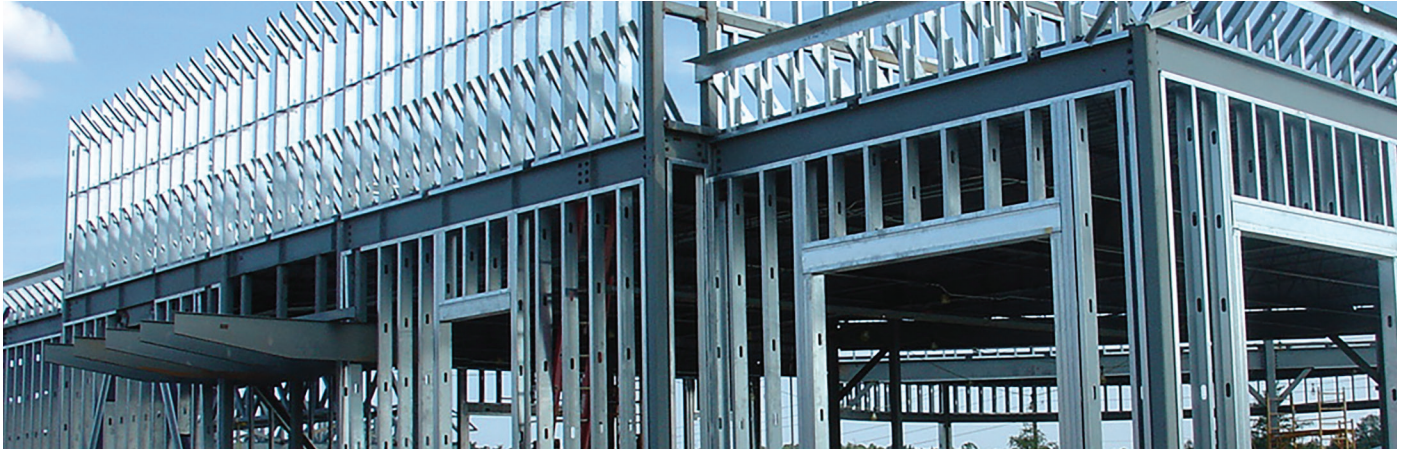
Miscellaneous closures, continuous angles, etc.

LENGTH:

10'-0" maximum. Dimensioned product drawing must accompany order.

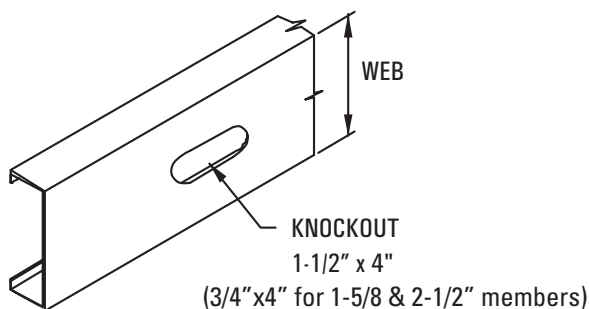


GENERAL NOTES FOR ALL TABLES



1. The information contained in this catalog is intended as a general guide only and all designs shall be verified by a design professional having experience with cold-formed steel design.
2. The data contained in this catalog is based on allowable strength design (ASD) of the 2016 Edition of the North American Specification for the Design of Cold-Formed Steel Structural Members, AISI S100/S2-20).
3. The strength increase based on cold work of forming has been incorporated for flexural strength per Section A3.3.2 of AISI S100.
4. Distortional buckling calculations are based on $K_{\phi} = 0$.
5. The effective moment of inertia for deflection is calculated at a stress that results in a section modulus such that the stress times the section modulus at that stress is equal to the allowable moment. Procedure I of AISI S100 was used for serviceability determination.
6. Various sections may be manufactured with yield stresses of 33 or 50 ksi. The yield stress used for calculations is indicated in the tables.
7. For sections available in both 33 and 50 ksi, the specifier must clearly indicate which yield stress is required.
For example: 362S162-54 (50 ksi).
8. Sections used as nonstructural members that exceed the 10 psf load limit require an approved G60 minimum coating.
9. When provided, factory punchouts shall:
 - be spaced along the centerline of the web of the framing member.
 - have a center-to-center spacing of not less than 24" (610 mm).
 - have a width not greater than half the member depth or 2-1/2" (63.5 mm), whichever is less.
 - have a length not exceeding 4-1/2" (114 mm).
 - The distance from the center of the last punchout to the end of the member shall not be less than 12" (305 mm), unless otherwise specified.

Any configuration or combination of holes that fits within the punchout width and length limitations shall be permitted. Any configuration or combination of holes that fit within the punchout width and length limitations stated above shall be permitted; other punchout configurations and locations not in compliance with the stated limitations must be approved by a design professional.



STRUCTURAL STUD SECTION PROPERTIES

NOTES:

- The centerline bend radius is based on the inside bend radius shown in the steel thickness table on page 4.
- Effective section properties incorporate the strength increase due to cold work of forming as applicable per AISI S100 (A3.3.2).
- Gross section properties are based on the full-unreduced cross section of the joist/stud sections, away from the punchouts.
- For deflection calculations, use effective moment of inertia.
- Allowable moment is based on the lesser of local buckling, M_{aj} , and distortional buckling, M_{ad} . Distortional buckling is based on an assumed $K\phi=0$.
- * - Cold work of forming applied.
- + - Web slenderness ratio exceed 200 and web stiffeners are required at support points and concentrated loads.
- See General Notes on Page 6.

| Member | Lip (in.) | Design Thickness(in.) | F_y (ksi) | GROSS PROPERTIES | | | | | | | EFFECTIVE PROPERTIES | | | | | | | TORSIONAL PROPERTIES | | | | | |
|-------------|-----------|-----------------------|-------------|-------------------------|----------------|--------------------------|--------------------------|-------------|--------------------------|-------------|-----------------------------|-----------------------------|-----------------|-----------------|---------------|-----------------|-----------------------------|--------------------------|-------------|-----------|-------------|---------|-------------|
| | | | | Area (in ²) | Weight (lb/ft) | I_x (in ⁴) | S_x (in ³) | r_x (in.) | I_y (in ⁴) | r_y (in.) | I_{xd} (in ⁴) | S_{xe} (in ³) | M_{aj} (in-k) | M_{ad} (in-k) | V_{ag} (lb) | V_{anet} (lb) | $Jx1000$ (in ⁴) | C_w (in ⁶) | x_o (in.) | m (in.) | r_o (in.) | β | L_u (in.) |
| 250S137-33 | 3/8 | 0.0346 | 33 | 0.197 | 0.671 | 0.203 | 0.163 | 1.015 | 0.052 | 0.515 | 0.203 | 0.158 | 3.11 | 2.90 | 975 | 399 | 0.079 | 0.076 | -1.141 | 0.677 | 1.612 | 0.499 | 35.6 |
| 250S137-43 | 3/8 | 0.0451 | 33 | 0.255 | 0.868 | 0.261 | 0.208 | 1.011 | 0.067 | 0.511 | 0.261 | 0.205 | 4.53* | 4.02 | 1265 | 394 | 0.173 | 0.096 | -1.129 | 0.670 | 1.599 | 0.501 | 33.6 |
| 250S137-43 | 3/8 | 0.0451 | 50 | 0.255 | 0.868 | 0.261 | 0.208 | 1.011 | 0.067 | 0.511 | 0.261 | 0.197 | 5.89 | 5.37 | 1917 | 597 | 0.173 | 0.096 | -1.129 | 0.670 | 1.599 | 0.501 | 28.7 |
| 250S137-54 | 3/8 | 0.0566 | 50 | 0.316 | 1.074 | 0.318 | 0.255 | 1.004 | 0.080 | 0.504 | 0.318 | 0.244 | 8.22* | 7.06 | 2353 | 565 | 0.337 | 0.115 | -1.115 | 0.663 | 1.583 | 0.504 | 27.1 |
| 250S137-68 | 3/8 | 0.0713 | 50 | 0.390 | 1.327 | 0.386 | 0.309 | 0.995 | 0.096 | 0.495 | 0.386 | 0.308 | 10.7* | 9.13 | 2866 | 519 | 0.661 | 0.138 | -1.096 | 0.653 | 1.561 | 0.507 | 26.8 |
| 250S137-97 | 3/8 | 0.1017 | 50 | 0.533 | 1.815 | 0.507 | 0.406 | 0.975 | 0.121 | 0.476 | 0.507 | 0.406 | 14.8* | 14.70 | 3798 | 429 | 1.838 | 0.176 | -1.057 | 0.633 | 1.515 | 0.513 | 26.5 |
| 250S162-33 | 1/2 | 0.0346 | 33 | 0.223 | 0.759 | 0.235 | 0.188 | 1.027 | 0.087 | 0.624 | 0.235 | 0.180 | 3.55 | 3.39 | 975 | 399 | 0.089 | 0.146 | -1.470 | 0.859 | 1.898 | 0.401 | 44.1 |
| 250S162-43 | 1/2 | 0.0451 | 33 | 0.289 | 0.983 | 0.302 | 0.242 | 1.022 | 0.111 | 0.620 | 0.302 | 0.240 | 5.22* | 4.70 | 1265 | 394 | 0.196 | 0.184 | -1.457 | 0.852 | 1.885 | 0.402 | 42.1 |
| 250S162-43 | 1/2 | 0.0451 | 50 | 0.289 | 0.983 | 0.302 | 0.242 | 1.022 | 0.111 | 0.620 | 0.302 | 0.217 | 6.50 | 6.30 | 1917 | 597 | 0.196 | 0.184 | -1.457 | 0.852 | 1.885 | 0.402 | 35.7 |
| 250S162-54 | 1/2 | 0.0566 | 50 | 0.358 | 1.219 | 0.370 | 0.296 | 1.016 | 0.135 | 0.613 | 0.370 | 0.284 | 9.42* | 8.28 | 2353 | 565 | 0.383 | 0.223 | -1.443 | 0.845 | 1.868 | 0.403 | 33.9 |
| 250S162-68 | 1/2 | 0.0713 | 50 | 0.443 | 1.509 | 0.450 | 0.360 | 1.008 | 0.162 | 0.605 | 0.450 | 0.357 | 12.1* | 10.70 | 2866 | 519 | 0.752 | 0.268 | -1.424 | 0.835 | 1.847 | 0.405 | 33.7 |
| 250S162-97 | 1/2 | 0.1017 | 50 | 0.610 | 2.074 | 0.597 | 0.478 | 0.990 | 0.210 | 0.587 | 0.597 | 0.477 | 16.9* | 16.80 | 3798 | 429 | 2.101 | 0.346 | -1.386 | 0.815 | 1.801 | 0.408 | 36.9 |
| 250S200-33 | 5/8 | 0.0346 | 33 | 0.258 | 0.877 | 0.279 | 0.223 | 1.040 | 0.154 | 0.773 | 0.273 | 0.197 | 3.90 | 3.94 | 975 | 399 | 0.103 | 0.302 | -1.926 | 1.108 | 2.321 | 0.312 | 56.0 |
| 250S200-43 | 5/8 | 0.0451 | 33 | 0.334 | 1.137 | 0.358 | 0.287 | 1.036 | 0.198 | 0.769 | 0.358 | 0.278 | 5.49 | 5.48 | 1265 | 394 | 0.227 | 0.382 | -1.914 | 1.101 | 2.308 | 0.312 | 56.1 |
| 250S200-43 | 5/8 | 0.0451 | 50 | 0.334 | 1.137 | 0.358 | 0.287 | 1.036 | 0.198 | 0.769 | 0.358 | 0.252 | 7.56 | 7.30 | 1917 | 597 | 0.227 | 0.382 | -1.914 | 1.101 | 2.308 | 0.312 | 45.3 |
| 250S200-54 | 5/8 | 0.0566 | 50 | 0.415 | 1.412 | 0.440 | 0.352 | 1.030 | 0.241 | 0.763 | 0.440 | 0.321 | 9.60 | 9.64 | 2353 | 565 | 0.443 | 0.464 | -1.899 | 1.093 | 2.291 | 0.313 | 45.5 |
| 250S200-68 | 5/8 | 0.0713 | 50 | 0.515 | 1.752 | 0.538 | 0.430 | 1.022 | 0.293 | 0.755 | 0.538 | 0.417 | 13.8* | 12.60 | 2866 | 519 | 0.872 | 0.561 | -1.881 | 1.084 | 2.270 | 0.313 | 43.4 |
| 250S200-97 | 5/8 | 0.1017 | 50 | 0.711 | 2.420 | 0.719 | 0.575 | 1.005 | 0.386 | 0.737 | 0.719 | 0.575 | 19.8* | 19.70 | 3798 | 429 | 2.452 | 0.735 | -1.843 | 1.063 | 2.225 | 0.314 | 43.3 |
| 250S250-33 | 5/8 | 0.0346 | 33 | 0.292 | 0.995 | 0.331 | 0.265 | 1.065 | 0.262 | 0.946 | 0.310 | 0.214 | 4.22 | 4.28 | 975 | 399 | 0.117 | 0.503 | -2.416 | 1.366 | 2.804 | 0.258 | 66.5 |
| 250S250-43 | 5/8 | 0.0451 | 33 | 0.379 | 1.290 | 0.426 | 0.341 | 1.060 | 0.336 | 0.941 | 0.423 | 0.297 | 5.87 | 6.01 | 1265 | 394 | 0.257 | 0.638 | -2.404 | 1.359 | 2.791 | 0.258 | 66.8 |
| 250S250-43 | 5/8 | 0.0451 | 50 | 0.379 | 1.290 | 0.426 | 0.341 | 1.060 | 0.336 | 0.941 | 0.400 | 0.265 | 7.95 | 7.90 | 1917 | 597 | 0.257 | 0.638 | -2.404 | 1.359 | 2.791 | 0.258 | 53.9 |
| 250S250-54 | 5/8 | 0.0566 | 50 | 0.471 | 1.604 | 0.524 | 0.419 | 1.055 | 0.412 | 0.935 | 0.505 | 0.341 | 10.22 | 10.50 | 2353 | 565 | 0.503 | 0.774 | -2.389 | 1.351 | 2.774 | 0.258 | 54.1 |
| 250S250-68 | 5/8 | 0.0713 | 50 | 0.586 | 1.994 | 0.643 | 0.514 | 1.047 | 0.503 | 0.926 | 0.638 | 0.446 | 13.36 | 13.90 | 2866 | 519 | 0.993 | 0.948 | -2.371 | 1.341 | 2.752 | 0.258 | 54.5 |
| 250S250-97 | 5/8 | 0.1017 | 50 | 0.813 | 2.766 | 0.865 | 0.692 | 1.031 | 0.670 | 0.908 | 0.865 | 0.664 | 22.3* | 20.60 | 3798 | 429 | 2.803 | 1.245 | -2.332 | 1.320 | 2.707 | 0.258 | 52.4 |
| 362S137-33 | 3/8 | 0.0346 | 33 | 0.236 | 0.804 | 0.479 | 0.264 | 1.424 | 0.059 | 0.501 | 0.479 | 0.232 | 4.59 | 4.45 | 1024 | 521 | 0.094 | 0.165 | -1.003 | 0.615 | 1.813 | 0.694 | 34.7 |
| 362S137-43 | 3/8 | 0.0451 | 33 | 0.306 | 1.041 | 0.616 | 0.340 | 1.419 | 0.076 | 0.497 | 0.616 | 0.320 | 6.32 | 6.25 | 1739 | 676 | 0.207 | 0.208 | -0.991 | 0.608 | 1.801 | 0.697 | 34.6 |
| 362S137-43 | 3/8 | 0.0451 | 50 | 0.306 | 1.041 | 0.616 | 0.340 | 1.419 | 0.076 | 0.497 | 0.616 | 0.292 | 8.73 | 8.27 | 2141 | 832 | 0.207 | 0.208 | -0.991 | 0.608 | 1.801 | 0.697 | 28.0 |
| 362S137-54 | 3/8 | 0.0566 | 50 | 0.379 | 1.291 | 0.756 | 0.417 | 1.412 | 0.091 | 0.490 | 0.756 | 0.381 | 11.42 | 11.00 | 3372 | 1016 | 0.405 | 0.251 | -0.978 | 0.601 | 1.785 | 0.700 | 27.9 |
| 362S137-68 | 3/8 | 0.0713 | 50 | 0.470 | 1.600 | 0.923 | 0.509 | 1.401 | 0.109 | 0.481 | 0.922 | 0.493 | 14.77 | 14.50 | 4370 | 1004 | 0.797 | 0.302 | -0.959 | 0.592 | 1.765 | 0.704 | 27.8 |
| 362S137-97 | 3/8 | 0.1017 | 50 | 0.648 | 2.204 | 1.229 | 0.678 | 1.378 | 0.138 | 0.461 | 1.229 | 0.662 | 24.1* | 24.10 | 5943 | 875 | 2.233 | 0.390 | -0.922 | 0.573 | 1.721 | 0.713 | 25.1 |
| 362S162-33 | 1/2 | 0.0346 | 33 | 0.262 | 0.892 | 0.551 | 0.304 | 1.450 | 0.099 | 0.616 | 0.551 | 0.268 | 5.29 | 5.18 | 1024 | 521 | 0.105 | 0.297 | -1.308 | 0.789 | 2.048 | 0.592 | 42.6 |
| 362S162-43 | 1/2 | 0.0451 | 33 | 0.340 | 1.156 | 0.710 | 0.392 | 1.445 | 0.127 | 0.611 | 0.710 | 0.372 | 7.34 | 7.27 | 1739 | 676 | 0.230 | 0.376 | -1.297 | 0.782 | 2.036 | 0.594 | 42.5 |
| 362S162-43 | 1/2 | 0.0451 | 50 | 0.340 | 1.156 | 0.710 | 0.392 | 1.445 | 0.127 | 0.611 | 0.710 | 0.321 | 9.62 | 9.64 | 2141 | 832 | 0.230 | 0.376 | -1.297 | 0.782 | 2.036 | 0.594 | 34.4 |
| 362S162-54 | 1/2 | 0.0566 | 50 | 0.422 | 1.436 | 0.873 | 0.482 | 1.438 | 0.154 | 0.604 | 0.873 | 0.444 | 13.28 | 12.80 | 3372 | 1016 | 0.451 | 0.457 | -1.282 | 0.774 | 2.020 | 0.597 | 34.4 |
| 362S162-68 | 1/2 | 0.0713 | 50 | 0.524 | 1.782 | 1.069 | 0.590 | 1.429 | 0.186 | 0.596 | 1.069 | 0.574 | 17.18 | 16.90 | 4370 | 1004 | 0.887 | 0.552 | -1.264 | 0.765 | 1.999 | 0.600 | 34.4 |
| 362S162-97 | 1/2 | 0.1017 | 50 | 0.724 | 2.463 | 1.435 | 0.792 | 1.408 | 0.241 | 0.577 | 1.435 | 0.776 | 27.5* | 27.50 | 5943 | 875 | 2.496 | 0.723 | -1.226 | 0.745 | 1.954 | 0.606 | 31.5 |
| 362S162-118 | 1/2 | 0.1242 | 50 | 0.863 | 2.938 | 1.673 | 0.923 | 1.392 | 0.274 | 0.563 | 1.673 | 0.904 | 33.1* | 33.10 | 6996 | 784 | 4.439 | 0.828 | -1.198 | 0.731 | 1.921 | 0.611 | 31.1 |
| 362S200-33 | 5/8 | 0.0346 | 33 | 0.297 | 1.010 | 0.648 | 0.358 | 1.478 | 0.177 | 0.772 | 0.637 | 0.294 | 5.81 | 5.96 | 1024 | 521 | 0.118 | 0.577 | -1.741 | 1.030 | 2.411 | 0.478 | 53.6 |
| 362S200-43 | 5/8 | 0.0451 | 33 | 0.385 | 1.310 | 0.836 | 0.461 | 1.474 | 0.227 | 0.767 | 0.836 | 0.427 | 8.43 | 8.38 | 1739 | 676 | 0.261 | 0.734 | -1.729 | 1.024 | 2.398 | 0.480 | 53.5 |
| 362S200-43 | 5/8 | 0.0451 | 50 | 0.385 | 1.310 | 0.836 | 0.461 | 1.474 | 0.227 | 0.767 | 0.830 | 0.377 | 11.29 | 11.10 | 2141 | 832 | 0.261 | 0.734 | -1.729 | 1.024 | 2.398 | 0.480 | 43.3 |
| 362S200-54 | 5/8 | 0.0566 | 50 | 0.478 | 1.628 | 1.030 | 0.568 | 1.467 | 0.277 | 0.761 | 1.030 | 0.490 | 14.66 | 14.80 | 3372 | 1016 | 0.511 | 0.896 | -1.715 | 1.016 | 2.382 | 0.482 | 43.3 |
| 362S200-68 | 5/8 | 0.0713 | 50 | 0.595 | 2.025 | 1.266 | 0.698 | 1.458 | 0.337 | 0.753 | 1.265 | 0.666 | 19.95 | 19.60 | 4370 | 1004 | 1.008 | 1.089 | -1.696 | 1.006 | 2.360 | 0.484 | 43.3 |
| 362S200-97 | 5/8 | 0.1017 | 50 | 0.826 | 2.809 | 1.712 | 0.944 | 1.440 | 0.446 | 0.735 | 1.712 | 0.929 | 32.0* | 32.00 | 5943 | 875 | 2.847 | 1.441 | -1.658 | 0.986 | 2.316 | 0.487 | 40.5 |
| 362S200-118 | 5/8 | 0.1242 | 50 | 0.988 | 3.360 | 2.007 | 1.108 | 1.426 | 0.514 | 0.721 | 2.007 | 1.088 | 38.6* | 38.60 | 6996 | 784 | 5.078 | 1.664 | -1.629 | 0.971 | 2.282 | 0.490 | 40.2 |
| 362S250-33 | 5/8 | 0.0346 | 33 | 0.331 | 1.127 | 0.760 | 0.419 | 1.514 | 0.299 | 0.951 | 0.716 | 0.315 | 6.23 | 6.36 | 1024 | 521 | 0.132 | 0.965 | -2.211 | 1.284 | 2.844 | 0.395 | 64.2 |
| 362S250-43 | 5/8 | 0.0451 | 33 | 0.430 | 1.463 | 0.980 | 0.541 | 1.510 | 0.385 | 0.946 | 0.973 | 0.449 | 8.88 | 9.02 | 1739 | 676 | 0.292 | 1.230 | -2.199 | 1.277 | 2.830 | 0.396 | 64.1 |
| 362S250-43 | 5/8 | 0.0451 | 50 | 0.430 | 1.463 | 0.980 | 0.541 | 1.510 | 0.385 | 0.946 | 0.921 | 0.390 | 11.69 | 11.80 | 2141 | 832 | 0.292 | 1.230 | -2.199 | 1.277 | 2.830 | 0.396 | 51.9 |
| 362S250-54 | 5/8 | 0.0566 | 50 | 0.535 | 1.821 | | | | | | | | | | | | | | | | | | |

STRUCTURAL STUD SECTION PROPERTIES

| Member | Lip (in.) | Design Thickness(in.) | F _y (ksi) | GROSS PROPERTIES | | | | | | | EFFECTIVE PROPERTIES | | | | | | | TORSIONAL PROPERTIES | | | | | |
|-------------|-----------|-----------------------|----------------------|-------------------------|----------------|-----------------------------------|-----------------------------------|----------------------|-----------------------------------|----------------------|------------------------------------|------------------------------------|------------------------|------------------------|----------------------|------------------------|---------------------------|-----------------------------------|----------------------|---------|----------------------|-------|----------------------|
| | | | | Area (in ²) | Weight (lb/ft) | I _x (in ⁴) | S _x (in ³) | r _x (in.) | I _y (in ⁴) | r _y (in.) | I _{xd} (in ⁴) | S _{xe} (in ³) | M _{al} (in-k) | M _{ad} (in-k) | V _{ag} (lb) | V _{anet} (lb) | Jx1000 (in ⁴) | C _w (in ⁶) | x _o (in.) | m (in.) | r _o (in.) | β | L _u (in.) |
| 400S200-33 | 5/8 | 0.0346 | 33 | 0.310 | 1.054 | 0.812 | 0.406 | 1.619 | 0.183 | 0.769 | 0.798 | 0.329 | 6.49 | 6.65 | 976 | 595 | 0.124 | 0.697 | -1.688 | 1.007 | 2.462 | 0.530 | 53.1 |
| 400S200-43 | 5/8 | 0.0451 | 33 | 0.402 | 1.367 | 1.048 | 0.524 | 1.615 | 0.235 | 0.764 | 1.047 | 0.478 | 9.45 | 9.38 | 1739 | 810 | 0.272 | 0.886 | -1.676 | 1.000 | 2.450 | 0.532 | 53.0 |
| 400S200-43 | 5/8 | 0.0451 | 50 | 0.402 | 1.367 | 1.048 | 0.524 | 1.615 | 0.235 | 0.764 | 1.040 | 0.422 | 12.63 | 12.40 | 2141 | 997 | 0.272 | 0.886 | -1.676 | 1.000 | 2.450 | 0.532 | 43.0 |
| 400S200-54 | 5/8 | 0.0566 | 50 | 0.500 | 1.700 | 1.292 | 0.646 | 1.608 | 0.287 | 0.758 | 1.292 | 0.549 | 16.43 | 16.40 | 3372 | 1223 | 0.534 | 1.083 | -1.662 | 0.993 | 2.433 | 0.534 | 42.9 |
| 400S200-68 | 5/8 | 0.0713 | 50 | 0.622 | 2.116 | 1.590 | 0.795 | 1.599 | 0.349 | 0.750 | 1.589 | 0.751 | 22.47 | 22.00 | 4871 | 1356 | 1.054 | 1.318 | -1.643 | 0.983 | 2.412 | 0.536 | 42.9 |
| 400S200-97 | 5/8 | 0.1017 | 50 | 0.864 | 2.939 | 2.155 | 1.078 | 1.580 | 0.463 | 0.732 | 2.155 | 1.063 | 36.7* | 36.70 | 6658 | 1207 | 2.978 | 1.749 | -1.605 | 0.963 | 2.368 | 0.541 | 40.0 |
| 400S200-118 | 5/8 | 0.1242 | 50 | 1.03 | 3.519 | 2.533 | 1.266 | 1.565 | 0.533 | 0.718 | 2.532 | 1.249 | 44.2* | 44.30 | 7869 | 1102 | 5.317 | 2.024 | -1.577 | 0.948 | 2.335 | 0.544 | 39.6 |
| 400S250-33 | 5/8 | 0.0346 | 33 | 0.344 | 1.172 | 0.948 | 0.474 | 1.660 | 0.310 | 0.949 | 0.894 | 0.352 | 6.95 | 7.07 | 976 | 595 | 0.137 | 1.165 | -2.151 | 1.259 | 2.878 | 0.441 | 63.7 |
| 400S250-43 | 5/8 | 0.0451 | 33 | 0.447 | 1.521 | 1.224 | 0.612 | 1.655 | 0.399 | 0.945 | 1.215 | 0.503 | 9.93 | 10.00 | 1739 | 810 | 0.303 | 1.486 | -2.139 | 1.252 | 2.865 | 0.443 | 63.7 |
| 400S250-43 | 5/8 | 0.0451 | 50 | 0.447 | 1.521 | 1.224 | 0.612 | 1.655 | 0.399 | 0.945 | 1.151 | 0.436 | 13.06 | 13.10 | 2141 | 997 | 0.303 | 1.486 | -2.139 | 1.252 | 2.865 | 0.443 | 51.6 |
| 400S250-54 | 5/8 | 0.0566 | 50 | 0.556 | 1.893 | 1.512 | 0.756 | 1.649 | 0.490 | 0.938 | 1.450 | 0.576 | 17.24 | 17.60 | 3372 | 1223 | 0.594 | 1.821 | -2.124 | 1.244 | 2.848 | 0.444 | 51.6 |
| 400S250-68 | 5/8 | 0.0713 | 50 | 0.693 | 2.358 | 1.865 | 0.932 | 1.640 | 0.599 | 0.929 | 1.843 | 0.775 | 23.19 | 23.70 | 4871 | 1356 | 1.174 | 2.225 | -2.105 | 1.235 | 2.826 | 0.445 | 51.6 |
| 400S250-97 | 5/8 | 0.1017 | 50 | 0.965 | 3.285 | 2.542 | 1.271 | 1.623 | 0.801 | 0.911 | 2.542 | 1.191 | 40.1* | 36.40 | 6658 | 1207 | 3.329 | 2.978 | -2.066 | 1.214 | 2.781 | 0.448 | 48.8 |
| 400S250-118 | 5/8 | 0.1242 | 50 | 1.16 | 3.941 | 2.999 | 1.500 | 1.609 | 0.932 | 0.897 | 2.999 | 1.436 | 49.4* | 44.40 | 7869 | 1102 | 5.956 | 3.467 | -2.037 | 1.199 | 2.746 | 0.450 | 48.5 |
| 600S137-33 | 3/8 | 0.0346 | 33 | 0.318 | 1.083 | 1.582 | 0.527 | 2.230 | 0.069 | 0.464 | 1.540 | 0.455 | 8.98 | 7.76 | 638 | 638 | 0.127 | 0.500 | -0.807 | 0.519 | 2.416 | 0.889 | 33.5 |
| 600S137-43 | 3/8 | 0.0451 | 33 | 0.413 | 1.405 | 2.042 | 0.681 | 2.224 | 0.087 | 0.459 | 2.036 | 0.645 | 12.74 | 11.20 | 1415 | 1240 | 0.280 | 0.633 | -0.796 | 0.513 | 2.406 | 0.890 | 33.2 |
| 600S137-43 | 3/8 | 0.0451 | 50 | 0.413 | 1.405 | 2.042 | 0.681 | 2.224 | 0.087 | 0.459 | 1.999 | 0.579 | 17.33 | 14.60 | 1415 | 1240 | 0.280 | 0.633 | -0.796 | 0.513 | 2.406 | 0.890 | 27.0 |
| 600S137-54 | 3/8 | 0.0566 | 50 | 0.514 | 1.749 | 2.518 | 0.839 | 2.214 | 0.105 | 0.452 | 2.517 | 0.777 | 23.26 | 19.90 | 2822 | 1947 | 0.549 | 0.769 | -0.784 | 0.506 | 2.392 | 0.893 | 26.8 |
| 600S137-68 | 3/8 | 0.0713 | 50 | 0.640 | 2.176 | 3.095 | 1.032 | 2.200 | 0.126 | 0.443 | 3.094 | 1.030 | 30.84 | 26.90 | 5350 | 2879 | 1.084 | 0.930 | -0.768 | 0.497 | 2.372 | 0.895 | 26.5 |
| 600S137-97 | 3/8 | 0.1017 | 50 | 0.889 | 3.026 | 4.189 | 1.396 | 2.171 | 0.159 | 0.423 | 4.188 | 1.396 | 50.8* | 41.40 | 10472 | 3805 | 3.066 | 1.216 | -0.734 | 0.480 | 2.330 | 0.901 | 23.6 |
| 600S162-33 | 1/2 | 0.0346 | 33 | 0.344 | 1.172 | 1.793 | 0.598 | 2.282 | 0.116 | 0.581 | 1.793 | 0.577 | 11.41 | 9.08 | 638 | 638 | 0.137 | 0.862 | -1.072 | 0.677 | 2.588 | 0.828 | 41.1 |
| 600S162-43 | 1/2 | 0.0451 | 33 | 0.447 | 1.521 | 2.316 | 0.772 | 2.277 | 0.148 | 0.576 | 2.316 | 0.767 | 16.7* | 13.00 | 1415 | 1240 | 0.303 | 1.095 | -1.062 | 0.670 | 2.577 | 0.830 | 39.0 |
| 600S162-43 | 1/2 | 0.0451 | 50 | 0.447 | 1.521 | 2.316 | 0.772 | 2.277 | 0.148 | 0.576 | 2.316 | 0.705 | 21.12 | 17.00 | 1415 | 1240 | 0.303 | 1.095 | -1.062 | 0.670 | 2.577 | 0.830 | 33.2 |
| 600S162-54 | 1/2 | 0.0566 | 50 | 0.556 | 1.893 | 2.861 | 0.954 | 2.268 | 0.181 | 0.570 | 2.860 | 0.915 | 30.3* | 23.00 | 2822 | 1947 | 0.594 | 1.337 | -1.049 | 0.663 | 2.563 | 0.833 | 31.4 |
| 600S162-68 | 1/2 | 0.0713 | 50 | 0.693 | 2.358 | 3.525 | 1.175 | 2.255 | 0.218 | 0.561 | 3.525 | 1.164 | 39.5* | 31.10 | 5350 | 2879 | 1.174 | 1.626 | -1.032 | 0.655 | 2.543 | 0.835 | 30.8 |
| 600S162-97 | 1/2 | 0.1017 | 50 | 0.965 | 3.285 | 4.798 | 1.599 | 2.229 | 0.283 | 0.542 | 4.797 | 1.599 | 56.7* | 47.50 | 10472 | 3805 | 3.329 | 2.153 | -0.997 | 0.636 | 2.501 | 0.841 | 29.8 |
| 600S162-118 | 1/2 | 0.1242 | 50 | 1.16 | 3.941 | 5.654 | 1.885 | 2.209 | 0.322 | 0.527 | 5.653 | 1.884 | 68.9* | 68.50 | 12526 | 3622 | 5.956 | 2.487 | -0.971 | 0.623 | 2.470 | 0.846 | 29.1 |
| 600S200-33 | 5/8 | 0.0346 | 33 | 0.379 | 1.289 | 2.075 | 0.692 | 2.340 | 0.209 | 0.743 | 2.043 | 0.621 | 12.28 | 10.40 | 638 | 638 | 0.151 | 1.593 | -1.457 | 0.901 | 2.855 | 0.740 | 51.6 |
| 600S200-43 | 5/8 | 0.0451 | 33 | 0.492 | 1.674 | 2.683 | 0.894 | 2.335 | 0.268 | 0.739 | 2.683 | 0.873 | 17.24 | 14.90 | 1415 | 1240 | 0.334 | 2.033 | -1.446 | 0.894 | 2.844 | 0.742 | 51.4 |
| 600S200-43 | 5/8 | 0.0451 | 50 | 0.492 | 1.674 | 2.683 | 0.894 | 2.335 | 0.268 | 0.739 | 2.666 | 0.807 | 24.17 | 19.40 | 1415 | 1240 | 0.334 | 2.033 | -1.446 | 0.894 | 2.844 | 0.742 | 41.7 |
| 600S200-54 | 5/8 | 0.0566 | 50 | 0.613 | 2.086 | 3.320 | 1.107 | 2.327 | 0.329 | 0.732 | 3.319 | 1.015 | 30.39 | 26.30 | 2822 | 1947 | 0.655 | 2.493 | -1.432 | 0.887 | 2.829 | 0.744 | 41.6 |
| 600S200-68 | 5/8 | 0.0713 | 50 | 0.764 | 2.601 | 4.101 | 1.367 | 2.316 | 0.400 | 0.723 | 4.100 | 1.317 | 43.7* | 35.40 | 5350 | 2879 | 1.295 | 3.047 | -1.415 | 0.878 | 2.809 | 0.746 | 39.3 |
| 600S200-97 | 5/8 | 0.1017 | 50 | 1.07 | 3.631 | 5.613 | 1.871 | 2.293 | 0.530 | 0.705 | 5.612 | 1.871 | 64.5* | 55.00 | 10472 | 3805 | 3.679 | 4.080 | -1.378 | 0.859 | 2.767 | 0.752 | 38.3 |
| 600S200-118 | 5/8 | 0.1242 | 50 | 1.28 | 4.364 | 6.643 | 2.214 | 2.276 | 0.612 | 0.691 | 6.641 | 2.214 | 78.4* | 78.00 | 12526 | 3622 | 6.594 | 4.753 | -1.351 | 0.845 | 2.735 | 0.756 | 37.6 |
| 600S250-43 | 5/8 | 0.0451 | 33 | 0.537 | 1.828 | 3.083 | 1.028 | 2.396 | 0.458 | 0.923 | 3.062 | 0.918 | 18.14 | 15.70 | 1415 | 1240 | 0.364 | 3.411 | -1.874 | 1.136 | 3.179 | 0.652 | 62.4 |
| 600S250-43 | 5/8 | 0.0451 | 50 | 0.537 | 1.828 | 3.083 | 1.028 | 2.396 | 0.458 | 0.923 | 2.912 | 0.818 | 24.51 | 20.30 | 1415 | 1240 | 0.364 | 3.411 | -1.874 | 1.136 | 3.179 | 0.652 | 50.6 |
| 600S250-54 | 5/8 | 0.0566 | 50 | 0.670 | 2.278 | 3.820 | 1.273 | 2.389 | 0.562 | 0.917 | 3.663 | 1.069 | 32.00 | 27.60 | 2822 | 1947 | 0.715 | 4.194 | -1.860 | 1.129 | 3.163 | 0.654 | 50.5 |
| 600S250-68 | 5/8 | 0.0713 | 50 | 0.836 | 2.843 | 4.728 | 1.576 | 2.379 | 0.688 | 0.908 | 4.667 | 1.386 | 41.49 | 37.50 | 5350 | 2879 | 1.416 | 5.146 | -1.842 | 1.119 | 3.142 | 0.657 | 50.4 |
| 600S250-97 | 5/8 | 0.1017 | 50 | 1.17 | 3.977 | 6.497 | 2.166 | 2.358 | 0.923 | 0.889 | 6.496 | 2.063 | 69.4* | 59.00 | 10472 | 3805 | 4.030 | 6.947 | -1.803 | 1.100 | 3.099 | 0.661 | 47.3 |
| 600S250-118 | 5/8 | 0.1242 | 50 | 1.41 | 4.787 | 7.715 | 2.572 | 2.342 | 1.076 | 0.874 | 7.713 | 2.498 | 85.9* | 75.20 | 12526 | 3622 | 7.233 | 8.142 | -1.775 | 1.085 | 3.066 | 0.665 | 46.7 |
| 600S300-54 | 5/8 | 0.0566 | 50 | 0.726 | 2.471 | 4.320 | 1.440 | 2.439 | 0.875 | 1.098 | 3.939 | 1.106 | 33.13 | 28.50 | 2822 | 1947 | 0.775 | 6.452 | -2.299 | 1.372 | 3.527 | 0.575 | 59.1 |
| 600S300-68 | 5/8 | 0.0713 | 50 | 0.907 | 3.086 | 5.354 | 1.785 | 2.430 | 1.075 | 1.089 | 5.064 | 1.446 | 43.30 | 38.90 | 5350 | 2879 | 1.537 | 7.937 | -2.280 | 1.363 | 3.506 | 0.577 | 58.9 |
| 600S300-97 | 5/8 | 0.1017 | 50 | 1.27 | 4.323 | 7.382 | 2.461 | 2.410 | 1.454 | 1.070 | 7.251 | 2.247 | 67.28 | 62.00 | 10472 | 3805 | 4.381 | 10.776 | -2.241 | 1.343 | 3.461 | 0.581 | 58.8 |
| 600S300-118 | 5/8 | 0.1242 | 50 | 1.53 | 5.209 | 8.787 | 2.929 | 2.396 | 1.704 | 1.055 | 8.785 | 2.797 | 94.2* | 79.70 | 12526 | 3622 | 7.872 | 12.684 | -2.212 | 1.328 | 3.427 | 0.583 | 55.3 |
| 800S137-33+ | 3/8 | 0.0346 | 33 | 0.388 | 1.319 | 3.199 | 0.800 | 2.873 | 0.073 | 0.435 | 2.972 | 0.622 | 12.29 | 10.20 | 474 | 474 | 0.155 | 0.957 | -0.696 | 0.460 | 2.988 | 0.946 | 32.5 |
| 800S137-43 | 3/8 | 0.0451 | 33 | 0.503 | 1.712 | 4.135 | 1.034 | 2.866 | 0.093 | 0.430 | 3.981 | 0.896 | 17.70 | 15.00 | 1051 | 1051 | 0.341 | 1.214 | -0.687 | 0.454 | 2.979 | 0.947 | 32.2 |
| 800S137-43 | 3/8 | 0.0451 | 50 | 0.503 | 1.712 | 4.135 | 1.034 | 2.866 | 0.093 | 0.430 | 3.872 | 0.795 | 23.80 | 19.30 | 1051 | 1051 | 0.341 | 1.214 | -0.687 | 0.454 | 2.979 | 0.947 | 26.2 |
| 800S137-54 | 3/8 | 0.0566 | 50 | 0.627 | 2.134 | 5.111 | 1.278 | 2.855 | 0.112 | 0.423 | 4.940 | 1.083 | 32.42 | 26.80 | 2091 | 2091 | 0.670 | 1.478 | -0.676 | 0.448 | 2.964 | 0.948 | 25.9 |
| 800S137-68 | 3/8 | 0.0713 | 50 | 0.782 | | | | | | | | | | | | | | | | | | | |

STRUCTURAL STUD SECTION PROPERTIES

| Member | Lip (in.) | Design Thickness(in.) | F _y (ksi) | GROSS PROPERTIES | | | | | | EFFECTIVE PROPERTIES | | | | | | | | | | TORSIONAL PROPERTIES | | | | |
|--------------|-----------|-----------------------|----------------------|-------------------------|----------------|-----------------------------------|-----------------------------------|----------------------|-----------------------------------|----------------------|------------------------------------|------------------------------------|------------------------|------------------------|----------------------|------------------------|---------------------------|-----------------------------------|----------------------|----------------------|----------------------|-------|----------------------|--|
| | | | | Area (in ²) | Weight (lb/ft) | I _x (in ⁴) | S _x (in ³) | r _x (in.) | I _y (in ⁴) | r _y (in.) | I _{xd} (in ⁴) | S _{xe} (in ³) | M _{al} (in-k) | M _{ad} (in-k) | V _{ag} (lb) | V _{anet} (lb) | Jx1000 (in ⁴) | C _w (in ⁶) | x _o (in.) | m (in.) | r _o (in.) | β | L _u (in.) | |
| 1000S162-33+ | 1/2 | 0.0346 | 33 | 0.483 | 1.642 | 6.200 | 1.240 | 3.584 | 0.132 | 0.522 | 5.558 | 0.900 | 17.79 | 14.80 | 377 | 377 | 0.193 | 2.692 | -0.832 | 0.550 | 3.716 | 0.950 | 39.1 | |
| 1000S162-43+ | 1/2 | 0.0451 | 33 | 0.627 | 2.134 | 8.028 | 1.606 | 3.577 | 0.168 | 0.518 | 7.479 | 1.302 | 25.74 | 21.70 | 836 | 836 | 0.425 | 3.430 | -0.823 | 0.545 | 3.707 | 0.951 | 38.8 | |
| 1000S162-43+ | 1/2 | 0.0451 | 50 | 0.627 | 2.134 | 8.028 | 1.606 | 3.577 | 0.168 | 0.518 | 7.255 | 1.099 | 32.91 | 27.80 | 836 | 836 | 0.425 | 3.430 | -0.823 | 0.545 | 3.707 | 0.951 | 31.5 | |
| 1000S162-54 | 1/2 | 0.0566 | 50 | 0.783 | 2.663 | 9.953 | 1.991 | 3.566 | 0.204 | 0.511 | 9.310 | 1.572 | 47.06 | 38.70 | 1660 | 1660 | 0.836 | 4.198 | -0.812 | 0.538 | 3.693 | 0.952 | 31.3 | |
| 1000S162-68 | 1/2 | 0.0713 | 50 | 0.978 | 3.329 | 12.329 | 2.466 | 3.560 | 0.247 | 0.502 | 11.919 | 2.155 | 64.51 | 53.80 | 3345 | 3345 | 1.658 | 5.121 | -0.798 | 0.531 | 3.673 | 0.953 | 31.0 | |
| 1000S162-97 | 1/2 | 0.1017 | 50 | 1.37 | 4.670 | 16.972 | 3.394 | 3.517 | 0.320 | 0.483 | 16.966 | 3.269 | 97.89 | 88.00 | 9862 | 9862 | 7.175 | 6.827 | -0.768 | 0.514 | 3.632 | 0.955 | 30.4 | |
| 1000S162-118 | 1/2 | 0.1242 | 50 | 1.66 | 5.632 | 20.175 | 4.035 | 3.491 | 0.364 | 0.469 | 20.168 | 4.034 | 120.77 | 115.00 | 16235 | 9536 | 8.510 | 7.924 | -0.746 | 0.502 | 3.601 | 0.957 | 30.0 | |
| 1000S200-43+ | 5/8 | 0.0451 | 33 | 0.672 | 2.288 | 9.088 | 1.818 | 3.676 | 0.309 | 0.677 | 8.550 | 1.470 | 29.05 | 25.40 | 836 | 836 | 0.456 | 6.236 | -1.147 | 0.743 | 3.910 | 0.914 | 49.3 | |
| 1000S200-43+ | 5/8 | 0.0451 | 50 | 0.672 | 2.288 | 9.088 | 1.818 | 3.676 | 0.309 | 0.677 | 8.273 | 1.270 | 38.03 | 32.70 | 836 | 836 | 0.456 | 6.236 | -1.147 | 0.743 | 3.910 | 0.914 | 40.0 | |
| 1000S200-54 | 5/8 | 0.0566 | 50 | 0.839 | 2.856 | 11.281 | 2.256 | 3.666 | 0.378 | 0.671 | 10.651 | 1.705 | 51.05 | 45.10 | 1660 | 1660 | 0.896 | 7.665 | -1.135 | 0.737 | 3.896 | 0.915 | 39.8 | |
| 1000S200-68 | 5/8 | 0.0713 | 50 | 1.05 | 3.571 | 13.998 | 2.800 | 3.652 | 0.460 | 0.662 | 13.594 | 2.420 | 72.46 | 62.20 | 3345 | 3345 | 1.778 | 9.401 | -1.120 | 0.729 | 3.877 | 0.917 | 39.6 | |
| 1000S200-97 | 5/8 | 0.1017 | 50 | 1.47 | 5.016 | 19.341 | 3.868 | 3.622 | 0.610 | 0.643 | 19.335 | 3.741 | 112.00 | 101.00 | 9862 | 9862 | 7.175 | 10.827 | -1.087 | 0.711 | 3.836 | 0.920 | 39.0 | |
| 1000S200-118 | 5/8 | 0.1242 | 50 | 1.78 | 6.055 | 23.058 | 4.612 | 3.600 | 0.704 | 0.629 | 23.051 | 4.610 | 138.03 | 131.00 | 16235 | 9536 | 9.149 | 14.848 | -1.064 | 0.699 | 3.806 | 0.922 | 38.7 | |
| 1000S250-43+ | 5/8 | 0.0451 | 33 | 0.717 | 2.441 | 10.205 | 2.041 | 3.711 | 0.531 | 0.860 | 10.145 | 1.617 | 31.95 | 26.80 | 836 | 836 | 0.486 | 10.481 | -1.518 | 0.965 | 4.155 | 0.867 | 60.7 | |
| 1000S250-43+ | 5/8 | 0.0451 | 50 | 0.717 | 2.441 | 10.205 | 2.041 | 3.711 | 0.531 | 0.860 | 9.136 | 1.342 | 40.19 | 34.30 | 836 | 836 | 0.486 | 10.481 | -1.518 | 0.965 | 4.155 | 0.867 | 49.3 | |
| 1000S250-54 | 5/8 | 0.0566 | 50 | 0.896 | 3.049 | 12.680 | 2.536 | 3.762 | 0.653 | 0.854 | 12.202 | 1.879 | 56.27 | 47.60 | 1660 | 1660 | 0.957 | 12.922 | -1.505 | 0.958 | 4.141 | 0.868 | 49.1 | |
| 1000S250-68 | 5/8 | 0.0713 | 50 | 1.12 | 3.814 | 15.755 | 3.156 | 3.749 | 0.799 | 0.844 | 15.553 | 2.769 | 82.90 | 65.70 | 3345 | 3345 | 1.899 | 15.909 | -1.488 | 0.950 | 4.121 | 0.870 | 48.8 | |
| 1000S250-97 | 5/8 | 0.1017 | 50 | 1.58 | 5.362 | 21.832 | 4.366 | 3.722 | 1.073 | 0.825 | 21.826 | 4.181 | 141* | 107.00 | 9862 | 9862 | 7.175 | 21.632 | -1.454 | 0.932 | 4.080 | 0.873 | 45.6 | |
| 1000S250-118 | 5/8 | 0.1242 | 50 | 1.90 | 6.477 | 26.086 | 5.217 | 3.702 | 1.250 | 0.810 | 26.079 | 5.082 | 175* | 140.00 | 16235 | 9536 | 9.788 | 25.490 | -1.428 | 0.918 | 4.050 | 0.876 | 44.8 | |
| 1000S300-54 | 5/8 | 0.0566 | 50 | 0.953 | 3.241 | 14.079 | 2.816 | 3.845 | 0.424 | 1.024 | 13.824 | 1.903 | 56.96 | 49.00 | 1660 | 1660 | 1.017 | 19.888 | -1.892 | 1.185 | 4.409 | 0.816 | 58.0 | |
| 1000S300-68 | 5/8 | 0.0713 | 50 | 1.19 | 4.056 | 17.512 | 3.502 | 3.833 | 0.588 | 1.027 | 16.643 | 2.803 | 83.91 | 68.00 | 3345 | 3345 | 2.020 | 24.551 | -1.874 | 1.176 | 4.389 | 0.818 | 57.8 | |
| 1000S300-97 | 5/8 | 0.1017 | 50 | 1.68 | 5.708 | 24.323 | 4.865 | 3.808 | 0.702 | 1.007 | 23.895 | 4.498 | 134.68 | 111.00 | 9862 | 9862 | 7.175 | 33.570 | -1.838 | 1.158 | 4.347 | 0.821 | 57.4 | |
| 1000S300-118 | 5/8 | 0.1242 | 50 | 2.03 | 6.900 | 29.114 | 5.823 | 3.789 | 0.997 | 0.992 | 29.108 | 5.586 | 188* | 146.00 | 16235 | 9536 | 10.426 | 39.725 | -1.811 | 1.144 | 4.316 | 0.824 | 53.8 | |
| 1000S350-54 | 1 | 0.0566 | 50 | 1.05 | 3.578 | 16.223 | 3.245 | 3.928 | 1.768 | 1.297 | 15.099 | 2.328 | 69.70 | 60.70 | 1660 | 1660 | 1.123 | 36.575 | -2.546 | 1.566 | 4.957 | 0.725 | 72.2 | |
| 1000S350-68 | 1 | 0.0713 | 50 | 1.32 | 4.481 | 20.208 | 4.042 | 3.917 | 1.185 | 1.288 | 19.745 | 3.418 | 103.33 | 83.70 | 3345 | 3345 | 2.232 | 45.277 | -2.529 | 1.557 | 4.837 | 0.727 | 72.0 | |
| 1000S350-97 | 1 | 0.1017 | 50 | 1.86 | 6.313 | 28.152 | 5.630 | 3.895 | 2.992 | 1.270 | 28.146 | 5.118 | 152.24 | 136.00 | 9862 | 9862 | 7.175 | 63.280 | -2.492 | 1.538 | 4.795 | 0.730 | 71.6 | |
| 1000S350-118 | 1 | 0.1242 | 50 | 2.25 | 7.639 | 33.777 | 6.755 | 3.879 | 3.543 | 1.256 | 33.770 | 6.426 | 213* | 176.00 | 16235 | 9536 | 11.544 | 74.030 | -2.465 | 1.524 | 4.764 | 0.732 | 67.8 | |
| 1200S162-43+ | 1/2 | 0.0451 | 33 | 0.717 | 2.441 | 12.676 | 2.113 | 4.203 | 0.174 | 0.493 | 11.338 | 1.585 | 31.32 | 25.10 | 694 | 694 | 0.486 | 5.177 | -0.742 | 0.499 | 4.297 | 0.970 | 37.8 | |
| 1200S162-43+ | 1/2 | 0.0451 | 50 | 0.717 | 2.441 | 12.676 | 2.113 | 4.203 | 0.174 | 0.493 | 10.943 | 1.332 | 39.88 | 32.00 | 694 | 694 | 0.486 | 5.177 | -0.742 | 0.499 | 4.297 | 0.970 | 30.7 | |
| 1200S162-54+ | 1/2 | 0.0566 | 50 | 0.896 | 3.049 | 15.735 | 2.623 | 4.191 | 0.212 | 0.486 | 14.138 | 1.914 | 57.31 | 45.00 | 1377 | 1377 | 0.957 | 6.340 | -0.732 | 0.493 | 4.282 | 0.971 | 30.5 | |
| 1200S162-68+ | 1/2 | 0.0713 | 50 | 1.12 | 3.814 | 19.524 | 3.254 | 4.174 | 0.255 | 0.477 | 18.256 | 2.645 | 79.19 | 63.30 | 2770 | 2770 | 1.899 | 7.739 | -0.719 | 0.485 | 4.262 | 0.972 | 30.2 | |
| 1200S162-97 | 1/2 | 0.1017 | 50 | 1.58 | 5.362 | 26.974 | 4.496 | 4.138 | 0.332 | 0.459 | 26.610 | 4.091 | 122.49 | 106.00 | 8145 | 7410 | 5.432 | 10.331 | -0.691 | 0.470 | 4.220 | 0.973 | 29.5 | |
| 1200S162-118 | 1/2 | 0.1242 | 50 | 1.90 | 6.477 | 32.155 | 5.359 | 4.110 | 0.377 | 0.445 | 32.143 | 5.168 | 154.73 | 140.00 | 14982 | 11034 | 9.788 | 12.002 | -0.670 | 0.459 | 4.188 | 0.974 | 29.0 | |
| 1200S200-54+ | 5/8 | 0.0566 | 50 | 0.953 | 3.241 | 17.668 | 2.945 | 4.307 | 0.394 | 0.643 | 16.104 | 2.073 | 62.06 | 53.10 | 1377 | 1377 | 1.017 | 11.550 | -1.032 | 0.681 | 4.475 | 0.947 | 39.0 | |
| 1200S200-68+ | 5/8 | 0.0713 | 50 | 1.19 | 4.056 | 21.954 | 3.659 | 4.291 | 0.479 | 0.634 | 20.708 | 2.963 | 98.71 | 74.00 | 2770 | 2770 | 2.020 | 14.176 | -1.017 | 0.673 | 4.456 | 0.948 | 38.7 | |
| 1200S200-97 | 5/8 | 0.1017 | 50 | 1.68 | 5.708 | 30.425 | 5.071 | 4.259 | 0.635 | 0.615 | 30.066 | 4.660 | 139.51 | 122.00 | 8145 | 7410 | 5.783 | 19.150 | -0.987 | 0.656 | 4.415 | 0.950 | 38.1 | |
| 1200S200-118 | 5/8 | 0.1242 | 50 | 2.03 | 6.900 | 36.357 | 6.060 | 4.234 | 0.733 | 0.601 | 36.345 | 5.865 | 175.59 | 160.00 | 14982 | 11034 | 10.426 | 22.451 | -0.964 | 0.644 | 4.384 | 0.952 | 37.7 | |
| 1200S250-54+ | 5/8 | 0.0566 | 50 | 1.01 | 3.434 | 19.686 | 3.281 | 4.417 | 0.683 | 0.823 | 17.261 | 2.149 | 64.34 | 56.60 | 1377 | 1377 | 1.078 | 19.505 | -1.378 | 0.892 | 4.699 | 0.914 | 48.3 | |
| 1200S250-68+ | 5/8 | 0.0713 | 50 | 1.26 | 4.299 | 24.490 | 4.082 | 4.403 | 0.836 | 0.813 | 22.905 | 3.007 | 90.00 | 79.00 | 2770 | 2770 | 2.141 | 24.034 | -1.362 | 0.884 | 4.680 | 0.915 | 48.1 | |
| 1200S250-97 | 5/8 | 0.1017 | 50 | 1.78 | 6.054 | 34.025 | 5.671 | 4.373 | 1.122 | 0.794 | 33.668 | 5.037 | 150.82 | 131.00 | 8145 | 7410 | 6.134 | 32.734 | -1.329 | 0.867 | 4.639 | 0.918 | 47.5 | |
| 1200S250-118 | 5/8 | 0.1242 | 50 | 2.15 | 7.322 | 40.736 | 6.789 | 4.351 | 1.307 | 0.779 | 40.724 | 6.540 | 195.82 | 172.00 | 14982 | 11034 | 11.065 | 38.619 | -1.305 | 0.854 | 4.609 | 0.920 | 47.1 | |
| 1200S300-54+ | 5/8 | 0.0566 | 50 | 1.07 | 3.626 | 21.704 | 3.617 | 4.513 | 1.074 | 1.004 | 18.842 | 2.273 | 68.04 | 58.70 | 1377 | 1377 | 1.138 | 30.051 | -1.743 | 1.111 | 4.941 | 0.876 | 57.4 | |
| 1200S300-68+ | 5/8 | 0.0713 | 50 | 1.34 | 4.542 | 27.026 | 4.504 | 4.500 | 1.320 | 0.994 | 25.752 | 3.318 | 99.33 | 82.10 | 2770 | 2770 | 2.262 | 37.127 | -1.726 | 1.103 | 4.92 | | | |

STRUCTURAL STUD PROPERTIES

Web Depth(h)-to-Thickness (t) Ratios

| MIL THICKNESS | 18 mil | | 27 mil | | 30 mil | | 33 mil | | 43 mil | | 54 mil | | 68 mil | | 97 mil | | 118 mil | | | |
|--------------------------|---------|------------------|--------|------------------|---------|------------------|--------|------------------|---------|------------------|--------|------------------|---------|------|--------|------|---------|------|-----|--|
| DESIGN THICKNESS (in.) | 0.0188 | | 0.0283 | | 0.0312 | | 0.0346 | | 0.0451 | | 0.0566 | | 0.0712 | | 0.1017 | | 0.1242 | | | |
| INSIDE BEND RADIUS (in.) | 0.0844 | | 0.0796 | | 0.0782 | | 0.0765 | | 0.0712 | | 0.0849 | | 0.1069 | | 0.1525 | | 0.1863 | | | |
| DEPTH (in.) | h (in.) | | h/t | | h (in.) | | h/t | | h (in.) | | h/t | | h (in.) | | h/t | | h (in.) | | h/t | |
| 1.625 | 1.42 | 75.5 | 1.41 | 49.8 | 1.41 | 45.1 | 1.40 | 40.5 | 1.39 | 30.9 | 1.34 | 23.7 | 1.27 | 17.8 | 1.12 | 11.0 | 1.00 | 8.10 | | |
| 2.5 | 2.29 | 122 | 2.28 | 80.7 | 2.28 | 73.1 | 2.28 | 65.8 | 2.27 | 50.3 | 2.22 | 39.2 | 2.14 | 30.1 | 1.99 | 19.6 | 1.88 | 15.1 | | |
| 3.625 | 3.42 | 182 | 3.41 | 121 | 3.41 | 109 | 3.40 | 98.3 | 3.39 | 75.2 | 3.34 | 59.0 | 3.27 | 45.8 | 3.12 | 30.6 | 3.00 | 24.2 | | |
| 4 | 3.79 | 202 ¹ | 3.78 | 134 | 3.78 | 121 | 3.78 | 109 | 3.77 | 83.5 | 3.72 | 65.7 | 3.64 | 51.1 | 3.49 | 34.3 | 3.38 | 27.2 | | |
| 6 | 5.79 | * | 5.78 | 204 ¹ | 5.78 | 185 | 5.78 | 167 | 5.77 | 128 | 5.72 | 101 | 5.64 | 79.2 | 5.49 | 54.0 | 5.38 | 43.3 | | |
| 8 | 7.79 | * | 7.78 | * | 7.78 | 249 ¹ | 7.78 | 225 ¹ | 7.77 | 172 | 7.72 | 136 | 7.64 | 107 | 7.49 | 73.7 | 7.38 | 59.4 | | |
| 10 | 9.79 | * | 9.78 | * | 9.78 | * | 9.78 | * | 9.77 | 217 ¹ | 9.72 | 172 | 9.64 | 135 | 9.49 | 93.3 | 9.38 | 75.5 | | |
| 12 | 11.8 | * | 11.8 | * | 11.8 | * | 11.8 | * | 11.8 | * | 11.7 | 207 ¹ | 11.6 | 163 | 11.5 | 113 | 11.4 | 91.6 | | |
| 14 | 13.8 | * | 13.8 | * | 13.8 | * | 13.8 | * | 13.8 | * | 13.7 | 242 ¹ | 13.6 | 191 | 13.5 | 133 | 13.4 | 108 | | |
| 16 | 15.8 | * | 15.8 | * | 15.8 | * | 15.8 | * | 15.8 | * | 15.7 | 219 ¹ | 15.6 | 152 | 15.5 | 152 | 15.4 | 124 | | |

NOTE:

1. h/t exceeds 200.
2. * h/t exceeds 260.

Allowable Screw Connection Capacities (lbs)

| GAUGE DESIGNATION | MIL DESIGNATION | DESIGN THICKNESS (in.) | F _y (ksi) | F _u (ksi) | #6 SCREW | | | #8 SCREW | | | #10 SCREW | | | #12 SCREW | | | #14 SCREW | | |
|-------------------|-----------------|------------------------|----------------------|----------------------|----------|----------|-----------|----------|----------|-----------|-----------|----------|-----------|-----------|----------|-----------|-----------|----------|-----------|
| | | | | | SHEAR | PULL-OUT | PULL-OVER | SHEAR | PULL-OUT | PULL-OVER | SHEAR | PULL-OUT | PULL-OVER | SHEAR | PULL-OUT | PULL-OVER | SHEAR | PULL-OUT | PULL-OVER |
| 25 | 18 | 0.0188 | 33 | 33* | 44 | 24 | 84 | 48 | 29 | 84 | 52 | 33 | 105 | 55 | 38 | 105 | 60 | 44 | 127 |
| 22 | 27 | 0.0283 | 33 | 33* | 82 | 37 | 127 | 89 | 43 | 127 | 96 | 50 | 159 | 102 | 57 | 159 | 110 | 66 | 191 |
| 20 | 30 | 0.0312 | 33 | 33* | 95 | 40 | 140 | 103 | 48 | 140 | 111 | 55 | 175 | 118 | 63 | 175 | 127 | 73 | 211 |
| 20 | 33 | 0.0346 | 33 | 45 | 151 | 61 | 140 | 164 | 72 | 195 | 177 | 84 | 265 | 188 | 95 | 265 | 203 | 110 | 318 |
| 18 | 43 | 0.0451 | 33 | 45 | 214 | 79 | 140 | 244 | 94 | 195 | 263 | 109 | 345 | 280 | 124 | 345 | 302 | 144 | 415 |
| 16 | 54 | 0.0566 | 33 | 45 | 214 | 100 | 140 | 344 | 118 | 195 | 370 | 137 | 386 | 394 | 156 | 433 | 424 | 180 | 521 |
| 14 | 68 | 0.0713 | 33 | 45 | 214 | 125 | 140 | 426 | 149 | 195 | 523 | 173 | 386 | 557 | 196 | 545 | 600 | 227 | 656 |
| 12 | 97 | 0.1017 | 33 | 45 | 214 | 140 | 140 | 426 | 195 | 195 | 548 | 246 | 386 | 777 | 280 | 775 | 1016 | 324 | 936 |
| 16 | 54 | 0.0566 | 50 | 65 | 214 | 140 | 140 | 426 | 171 | 195 | 534 | 198 | 386 | 569 | 225 | 625 | 613 | 261 | 752 |
| 14 | 68 | 0.0713 | 50 | 65 | 214 | 140 | 140 | 426 | 195 | 195 | 548 | 249 | 386 | 777 | 284 | 775 | 866 | 328 | 948 |
| 12 | 97 | 0.1017 | 50 | 65 | 214 | 140 | 140 | 426 | 195 | 195 | 548 | 356 | 386 | 777 | 405 | 775 | 1016 | 468 | 1067 |
| 10 | 118 | 0.1242 | 50 | 65 | 214 | 140 | 140 | 426 | 195 | 195 | 548 | 386 | 386 | 777 | 494 | 775 | 1016 | 572 | 1067 |

NOTE:

- * This is a NS type steel with no requirement for ultimate.
- 1. Capacities are based on section J4 of the AISI S100 Specification.
- 2. Capacities are based on Allowable Strength Design (ASD).
- 3. Screw pull-out capacities are based on listed head diameter.
- 4. Two sheets of equal thickness and tensile strength are assumed in tabulated values.
- 5. When materials of different steel thickness and tensile strength are connected, use the lowest value for shear capacity (tilting and bearing), for pull-out capacity use sheet closest to screw tip and for pull-over capacity use sheet closest to screw head.
- 6. Where multiple fasteners are used, screws are assumed to have a center-to-center spacing of at least 3 times the nominal diameter.
- 7. Screws are assumed to have a center-of-screw to edge-of-steel dimension of at least 1.5 times the nominal diameter of the screw.
- 8. When screws are subjected to combination of shear and tension forces, interaction equation of AISI S100 Specification section J4.5 shall be used.
- 9. Screw Shear (P_{ss}), tension (P_{ts}), diameter, and head diameter are from CFSEI Tech Note (F701-12).
- 10. Screw shear strength is the average value, and tension strength is the lowest value listed in CFSEI Tech Note (F701-12).
- 11. Higher values for screw strength (P_{ss}, P_{ts}), may be obtained by specifying screws from a specific manufacturer.

Weld Capacities (lbs/in.)

| GAUGE DESIGNATION | MIL DESIGNATION | DESIGN THICKNESS (in.) | F _y (ksi) | F _u (ksi) | FILLET WELDS | | FLARE GROOVE WELDS | |
|-------------------|-----------------|------------------------|----------------------|----------------------|--------------|------------|--------------------|------------|
| | | | | | LONGITUDINAL | TRANSVERSE | LONGITUDINAL | TRANSVERSE |
| 18 | 43 | 0.0451 | 33 | 45 | 499 | 864 | 544 | 663 |
| 16 | 54 | 0.0566 | 33 | 45 | 626 | 1084 | 682 | 832 |
| 14 | 68 | 0.0713 | 33 | 45 | 789 | 1365 | 859 | 1048 |
| 12 | 97 | 0.1017 | 33 | 45 | 1125 | 1480 | 1226 | 1480 |
| 16 | 54 | 0.0566 | 50 | 65 | 905 | 1566 | 985 | 1202 |
| 14 | 68 | 0.0713 | 50 | 65 | 1140 | 1972 | 1241 | 1514 |
| 12 | 97 | 0.1017 | 50 | 65 | 1480 | 1480 | 1480 | 1480 |

NOTE:

1. Capacities based on the AISI S100 Specification Sections J2.5 for fillet welds and J2.6 for flare groove welds.
2. When connecting materials of different steel thicknesses or tensile strengths, use the lowest values.
3. Capacities are based on Allowable Strength Design (ASD).
4. Weld capacities are based on E60 electrodes. For material thinner than 68 mil, 0.030" to 0.035" diameter wire electrodes may provide best results.
5. Longitudinal capacity is considered to be loading in the direction of the length of the weld.
6. Transverse capacity is loading in perpendicular direction of the length of the weld.
7. For flare groove welds, the effective throat of weld is conservatively assumed to be less than 2t.
8. For longitudinal fillet welds, a minimum value of Eq. J2.5-1, J2.5-2, J2.5-3, J2.5-4 were used.
9. For transverse fillet welds, a minimum value of Eq. J2.5-5 and J2.5-6 were used.
10. For longitudinal flare groove welds, a minimum value of Eq. J2.6-2 and J2.6-3 were used.
11. For transverse flare groove welds, a minimum value of Eq. J2.6-1 was used.

STRUCTURAL TRACK SECTION PROPERTIES

| MEMBER | DESIGN THICKNESS (in.) | F _y (ksi) | GROSS PROPERTIES | | | | | | | EFFECTIVE PROPERTIES | | | | TORSIONAL PROPERTIES | | | | | |
|-------------|------------------------|----------------------|--------------------------|----------------|------------------------------------|------------------------------------|----------------------|------------------------------------|----------------------|-------------------------------------|-------------------------------------|------------------------|----------------------|----------------------------|------------------------------------|----------------------|---------|----------------------|-------|
| | | | AREA (in. ²) | WEIGHT (lb/ft) | I _x (in. ⁴) | S _x (in. ³) | r _x (in.) | I _y (in. ⁴) | r _y (in.) | I _{xd} (in. ⁴) | S _{xe} (in. ³) | M _a (in.-k) | V _{ag} (lb) | Jx1000 (in. ⁴) | C _w (in. ⁶) | X ₀ (in.) | m (in.) | r ₀ (in.) | β |
| 250T125-33 | 0.0346 | 33 | 0.173 | 0.588 | 0.192 | 0.145 | 1.05 | 0.0272 | 0.397 | 0.167 | 0.103 | 2.03 | 1024 | 0.0690 | 0.0328 | -0.760 | 0.456 | 1.36 | 0.687 |
| 250T125-43 | 0.0451 | 33 | 0.225 | 0.766 | 0.250 | 0.188 | 1.06 | 0.0351 | 0.395 | 0.233 | 0.147 | 2.91 | 1356 | 0.153 | 0.0425 | -0.755 | 0.453 | 1.36 | 0.690 |
| 250T125-43 | 0.0451 | 50 | 0.225 | 0.766 | 0.250 | 0.188 | 1.06 | 0.0351 | 0.395 | 0.221 | 0.137 | 4.09 | 2054 | 0.153 | 0.0425 | -0.755 | 0.453 | 1.36 | 0.690 |
| 250T125-54 | 0.0566 | 50 | 0.282 | 0.961 | 0.318 | 0.236 | 1.06 | 0.0435 | 0.392 | 0.299 | 0.188 | 5.64 | 2563 | 0.302 | 0.0539 | -0.749 | 0.449 | 1.36 | 0.696 |
| 250T125-68 | 0.0713 | 50 | 0.355 | 1.21 | 0.408 | 0.297 | 1.07 | 0.0539 | 0.389 | 0.405 | 0.262 | 7.85 | 3199 | 0.602 | 0.0689 | -0.740 | 0.444 | 1.36 | 0.704 |
| 250T125-97 | 0.1017 | 50 | 0.506 | 1.72 | 0.604 | 0.423 | 1.09 | 0.0744 | 0.383 | 0.604 | 0.423 | 12.7 | 4476 | 1.75 | 0.102 | -0.724 | 0.434 | 1.37 | 0.719 |
| 250T200-33 | 0.0346 | 33 | 0.225 | 0.765 | 0.280 | 0.212 | 1.12 | 0.0974 | 0.658 | 0.204 | 0.112 | 2.22 | 1024 | 0.0897 | 0.118 | -1.42 | 0.813 | 1.92 | 0.455 |
| 250T200-43 | 0.0451 | 33 | 0.293 | 0.996 | 0.366 | 0.275 | 1.12 | 0.126 | 0.657 | 0.290 | 0.163 | 3.21 | 1356 | 0.199 | 0.153 | -1.41 | 0.810 | 1.92 | 0.457 |
| 250T200-43 | 0.0451 | 50 | 0.293 | 0.996 | 0.366 | 0.275 | 1.12 | 0.126 | 0.657 | 0.272 | 0.150 | 4.48 | 2054 | 0.199 | 0.153 | -1.41 | 0.810 | 1.92 | 0.457 |
| 250T200-54 | 0.0566 | 50 | 0.367 | 1.25 | 0.466 | 0.346 | 1.13 | 0.157 | 0.654 | 0.374 | 0.209 | 6.25 | 2563 | 0.392 | 0.195 | -1.41 | 0.806 | 1.92 | 0.462 |
| 250T200-68 | 0.0713 | 50 | 0.462 | 1.57 | 0.600 | 0.437 | 1.14 | 0.196 | 0.652 | 0.519 | 0.296 | 8.87 | 3199 | 0.784 | 0.251 | -1.40 | 0.800 | 1.92 | 0.469 |
| 250T200-97 | 0.1017 | 50 | 0.659 | 2.24 | 0.894 | 0.626 | 1.17 | 0.275 | 0.646 | 0.861 | 0.510 | 15.3 | 4476 | 2.27 | 0.374 | -1.38 | 0.789 | 1.92 | 0.484 |
| 250T250-33 | 0.0346 | 33 | 0.259 | 0.883 | 0.339 | 0.256 | 1.14 | 0.178 | 0.827 | 0.224 | 0.116 | 2.30 | 1024 | 0.104 | 0.218 | -1.88 | 1.06 | 2.35 | 0.361 |
| 250T250-43 | 0.0451 | 33 | 0.338 | 1.15 | 0.443 | 0.333 | 1.15 | 0.230 | 0.826 | 0.319 | 0.169 | 3.34 | 1356 | 0.229 | 0.283 | -1.87 | 1.05 | 2.35 | 0.362 |
| 250T250-43 | 0.0451 | 50 | 0.338 | 1.15 | 0.443 | 0.333 | 1.15 | 0.230 | 0.826 | 0.298 | 0.155 | 4.64 | 2054 | 0.229 | 0.283 | -1.87 | 1.05 | 2.35 | 0.362 |
| 250T250-54 | 0.0566 | 50 | 0.424 | 1.44 | 0.565 | 0.419 | 1.16 | 0.288 | 0.824 | 0.412 | 0.217 | 6.50 | 2563 | 0.453 | 0.361 | -1.87 | 1.05 | 2.34 | 0.366 |
| 250T250-68 | 0.0713 | 50 | 0.534 | 1.82 | 0.728 | 0.530 | 1.17 | 0.360 | 0.821 | 0.578 | 0.310 | 9.27 | 3199 | 0.904 | 0.466 | -1.86 | 1.04 | 2.34 | 0.372 |
| 250T250-97 | 0.1017 | 50 | 0.761 | 2.59 | 1.09 | 0.761 | 1.20 | 0.506 | 0.816 | 0.976 | 0.541 | 16.2 | 4476 | 2.62 | 0.696 | -1.83 | 1.03 | 2.34 | 0.384 |
| 250T300-33 | 0.0346 | 33 | 0.294 | 1.00 | 0.398 | 0.301 | 1.16 | 0.290 | 0.993 | 0.240 | 0.119 | 2.36 | 1024 | 0.117 | 0.360 | -2.35 | 1.30 | 2.80 | 0.298 |
| 250T300-43 | 0.0451 | 33 | 0.383 | 1.30 | 0.521 | 0.391 | 1.17 | 0.376 | 0.991 | 0.344 | 0.174 | 3.43 | 1356 | 0.260 | 0.470 | -2.34 | 1.30 | 2.80 | 0.299 |
| 250T300-43 | 0.0451 | 50 | 0.383 | 1.30 | 0.521 | 0.391 | 1.17 | 0.376 | 0.991 | 0.320 | 0.159 | 4.77 | 2054 | 0.260 | 0.470 | -2.34 | 1.30 | 2.80 | 0.299 |
| 250T300-54 | 0.0566 | 50 | 0.480 | 1.64 | 0.664 | 0.492 | 1.18 | 0.470 | 0.989 | 0.445 | 0.223 | 6.69 | 2563 | 0.513 | 0.599 | -2.34 | 1.29 | 2.79 | 0.302 |
| 250T300-68 | 0.0713 | 50 | 0.605 | 2.06 | 0.856 | 0.623 | 1.19 | 0.589 | 0.987 | 0.627 | 0.319 | 9.56 | 3199 | 1.03 | 0.773 | -2.32 | 1.29 | 2.79 | 0.307 |
| 250T300-97 | 0.1017 | 50 | 0.862 | 2.93 | 1.28 | 0.896 | 1.22 | 0.831 | 0.981 | 1.07 | 0.563 | 16.9 | 4476 | 2.97 | 1.16 | -2.30 | 1.28 | 2.78 | 0.316 |
| 362T125-33 | 0.0346 | 33 | 0.212 | 0.721 | 0.438 | 0.232 | 1.44 | 0.0301 | 0.377 | 0.384 | 0.174 | 3.44 | 1024 | 0.0845 | 0.0756 | -0.658 | 0.409 | 1.63 | 0.836 |
| 362T125-43 | 0.0451 | 33 | 0.276 | 0.939 | 0.571 | 0.302 | 1.44 | 0.0388 | 0.375 | 0.530 | 0.245 | 4.84 | 1739 | 0.187 | 0.0978 | -0.654 | 0.407 | 1.62 | 0.838 |
| 362T125-43 | 0.0451 | 50 | 0.276 | 0.939 | 0.571 | 0.302 | 1.44 | 0.0388 | 0.375 | 0.508 | 0.230 | 6.89 | 2141 | 0.187 | 0.0978 | -0.654 | 0.407 | 1.62 | 0.838 |
| 362T125-54 | 0.0566 | 50 | 0.346 | 1.18 | 0.723 | 0.378 | 1.45 | 0.0481 | 0.373 | 0.677 | 0.312 | 9.34 | 3372 | 0.370 | 0.123 | -0.648 | 0.404 | 1.63 | 0.841 |
| 362T125-68 | 0.0713 | 50 | 0.436 | 1.48 | 0.921 | 0.475 | 1.45 | 0.0597 | 0.370 | 0.907 | 0.427 | 12.8 | 4703 | 0.738 | 0.156 | -0.641 | 0.399 | 1.63 | 0.846 |
| 362T125-97 | 0.1017 | 50 | 0.621 | 2.11 | 1.34 | 0.675 | 1.47 | 0.0822 | 0.364 | 1.34 | 0.675 | 20.2 | 6622 | 2.14 | 0.226 | -0.626 | 0.390 | 1.64 | 0.854 |
| 362T125-118 | 0.1242 | 50 | 0.757 | 2.58 | 1.67 | 0.821 | 1.48 | 0.0978 | 0.359 | 1.67 | 0.821 | 28.2* | 8008 | 3.89 | 0.278 | -0.615 | 0.383 | 1.65 | 0.860 |
| 362T200-33 | 0.0346 | 33 | 0.264 | 0.897 | 0.619 | 0.328 | 1.53 | 0.110 | 0.645 | 0.463 | 0.190 | 3.76 | 1024 | 0.105 | 0.269 | -1.27 | 0.754 | 2.09 | 0.631 |
| 362T200-43 | 0.0451 | 33 | 0.343 | 1.17 | 0.808 | 0.427 | 1.53 | 0.142 | 0.643 | 0.647 | 0.270 | 5.34 | 1739 | 0.233 | 0.350 | -1.27 | 0.752 | 2.09 | 0.633 |
| 362T200-43 | 0.0451 | 50 | 0.343 | 1.17 | 0.808 | 0.427 | 1.53 | 0.142 | 0.643 | 0.613 | 0.252 | 7.56 | 2141 | 0.233 | 0.350 | -1.27 | 0.752 | 2.09 | 0.633 |
| 362T200-54 | 0.0566 | 50 | 0.431 | 1.47 | 1.02 | 0.536 | 1.54 | 0.177 | 0.641 | 0.829 | 0.345 | 10.3 | 3372 | 0.460 | 0.442 | -1.26 | 0.748 | 2.09 | 0.638 |
| 362T200-68 | 0.0713 | 50 | 0.543 | 1.85 | 1.31 | 0.675 | 1.55 | 0.221 | 0.638 | 1.13 | 0.480 | 14.4 | 4703 | 0.919 | 0.564 | -1.25 | 0.743 | 2.09 | 0.643 |
| 362T200-97 | 0.1017 | 50 | 0.773 | 2.63 | 1.92 | 0.963 | 1.58 | 0.308 | 0.632 | 1.83 | 0.804 | 24.1 | 6622 | 2.67 | 0.825 | -1.23 | 0.732 | 2.10 | 0.655 |
| 362T200-118 | 0.1242 | 50 | 0.944 | 3.21 | 2.39 | 1.18 | 1.59 | 0.371 | 0.627 | 2.39 | 1.07 | 32.1 | 8008 | 4.85 | 1.03 | -1.22 | 0.724 | 2.10 | 0.663 |
| 362T250-33 | 0.0346 | 33 | 0.298 | 1.02 | 0.740 | 0.393 | 1.58 | 0.200 | 0.820 | 0.505 | 0.198 | 3.90 | 1024 | 0.119 | 0.493 | -1.71 | 0.992 | 2.46 | 0.520 |
| 362T250-43 | 0.0451 | 33 | 0.389 | 1.32 | 0.966 | 0.510 | 1.58 | 0.260 | 0.818 | 0.709 | 0.282 | 5.56 | 1739 | 0.264 | 0.641 | -1.70 | 0.990 | 2.46 | 0.521 |
| 362T250-43 | 0.0451 | 50 | 0.389 | 1.32 | 0.966 | 0.510 | 1.58 | 0.260 | 0.818 | 0.670 | 0.262 | 7.85 | 2141 | 0.264 | 0.641 | -1.70 | 0.990 | 2.46 | 0.521 |
| 362T250-54 | 0.0566 | 50 | 0.487 | 1.66 | 1.22 | 0.641 | 1.59 | 0.324 | 0.816 | 0.909 | 0.360 | 10.8 | 3372 | 0.521 | 0.812 | -1.70 | 0.986 | 2.46 | 0.525 |
| 362T250-68 | 0.0713 | 50 | 0.614 | 2.09 | 1.57 | 0.808 | 1.60 | 0.406 | 0.813 | 1.25 | 0.503 | 15.1 | 4703 | 1.04 | 1.04 | -1.69 | 0.980 | 2.46 | 0.530 |
| 362T250-97 | 0.1017 | 50 | 0.875 | 2.98 | 2.30 | 1.16 | 1.62 | 0.570 | 0.807 | 2.06 | 0.851 | 25.5 | 6622 | 3.02 | 1.52 | -1.67 | 0.969 | 2.46 | 0.541 |
| 362T250-118 | 0.1242 | 50 | 1.07 | 3.63 | 2.87 | 1.41 | 1.64 | 0.688 | 0.803 | 2.72 | 1.15 | 34.4 | 8008 | 5.49 | 1.90 | -1.65 | 0.961 | 2.46 | 0.549 |
| 362T300-33 | 0.0346 | 33 | 0.333 | 1.13 | 0.861 | 0.457 | 1.61 | 0.327 | 0.992 | 0.541 | 0.197 | 3.89 | 1024 | 0.133 | 0.811 | -2.16 | 1.23 | 2.87 | 0.434 |
| 362T300-43 | 0.0451 | 33 | 0.434 | 1.48 | 1.12 | 0.594 | 1.61 | 0.425 | 0.990 | 0.763 | 0.290 | 5.73 | 1739 | 0.294 | 1.06 | -2.15 | 1.23 | 2.86 | 0.435 |
| 362T300-43 | 0.0451 | 50 | 0.434 | 1.48 | 1.12 | 0.594 | 1.61 | 0.425 | 0.990 | 0.718 | 0.270 | 8.08 | 2141 | 0.294 | 1.06 | -2.15 | 1.23 | 2.86 | 0.435 |
| 362T300-54 | 0.0566 | 50 | 0.544 | 1.85 | 1.43 | 0.746 | 1.62 | 0.531 | 0.988 | 0.979 | 0.371 | 11.1 | 3372 | 0.581 | 1.34 | -2.15 | 1.23 | 2.86 | 0.439 |
| 362T300-68 | 0.0713 | 50 | 0.685 | 2.33 | 1.82 | 0.941 | 1.63 | 0.665 | 0.985 | 1.35 | 0.519 | 15.6 | 4703 | 1.16 | 1.71 | -2.14 | 1.22 | 2.86 | 0.443 |
| 362T300-97 | 0.1017 | 50 | 0.977 | 3.32 | 2.68 | 1.35 | 1.66 | 0.937 | 0.979 | 2.25 | 0.887 | 26.5 | 6622 | 3.37 | 2.52 | -2.12 | 1.21 | 2.86 | 0.453 |
| 362T300-118 | 0.1242 | 50 | 1.19 | 4.06 | 3.35 | 1.65 | 1.68 | 1.13 | 0.975 | 3.00 | 1.21 | 36.1 | 8008 | 6.13 | 3.15 | -2.10 | 1.20 | 2.86 | 0.460 |
| 400T125-33 | 0.0346 | 33 | 0.225 | 0.765 | 0.549 | 0.265 | 1.56 | 0.0309 | 0.371 | 0.484 | 0.201 | 3.97 | 939 | 0.0897 | 0.0946 | -0.630 | 0.396 | 1.73 | 0.867 |
| 400T125-43 | 0.0451 | 33 | 0.293 | 0.996 | 0.716 | 0.344 | 1.56 | 0.0398 | 0.369 | 0.666 | 0.282 | 5.57 | 1739 | 0.199 | 0.122 | -0.626 | 0.394 | 1.72 | 0.868 |
| 400T125-43 | 0.0451 | 50 | 0.293 | 0.996 | 0.716 | 0.344 | 1.56 | 0.0398 | 0.369 | 0.639 | 0.266 | 7.96 | 2078 | 0.199 | 0.122 | -0.626 | 0.394 | 1.72 | 0.868 |
| 400T125-54 | 0.0566 | 50 | 0.367 | 1.25 | 0.904 | 0.431 | 1.57 | 0.0493 | 0.367 | 0.849 | 0.359 | 10.7 | 3372 | 0.392 | 0.154 | -0.621 | 0.390 | 1.73 | 0.871 |
| 400T125-68 | 0.0713 | 50 | 0.462 | 1.57 | 1.15 | 0.541 | 1.58 | 0.0611 | 0.364 | 1.13 | 0.488 | 14.6 | 5205 | 0.784 | 0.194 | -0.614 | 0.386 | 1.73 | 0.874 |
| 400T125-97 | 0.1017 | 50 | 0.659 | 2.24 | 1.67 | 0.768 | 1.59 | 0.0842 | 0.358 | 1.67 | 0.768 | 23.0 | 7337 | 2.27 | 0.280 | -0.600 | 0.377 | 1.74 | 0.881 |
| 400T125-118 | 0.1242 | 50 | 0.804 | 2.74</ | | | | | | | | | | | | | | | |

STRUCTURAL TRACK SECTION PROPERTIES

| MEMBER | DESIGN THICKNESS (in.) | F _y (ksi) | GROSS PROPERTIES | | | | | | | EFFECTIVE PROPERTIES | | | | | TORSIONAL PROPERTIES | | | | | |
|-------------|------------------------|----------------------|--------------------------|----------------|------------------------------------|------------------------------------|----------------------|------------------------------------|----------------------|-------------------------------------|-------------------------------------|------------------------|----------------------|---|------------------------------------|----------------------|---------|----------------------|-------|--|
| | | | AREA (in. ²) | WEIGHT (lb/ft) | I _x (in. ⁴) | S _x (in. ³) | r _x (in.) | I _y (in. ⁴) | r _y (in.) | I _{xd} (in. ⁴) | S _{xe} (in. ³) | M _a (in.-k) | V _{ag} (lb) | J _x 1000 (in. ⁴) | C _w (in. ⁶) | X ₀ (in.) | m (in.) | r ₀ (in.) | β | |
| 400T300-33 | 0.0346 | 33 | 0.346 | 1.18 | 1.06 | 0.512 | 1.75 | 0.338 | 0.989 | 0.677 | 0.218 | 4.32 | 939 | 0.138 | 1.01 | -2.10 | 1.21 | 2.91 | 0.478 | |
| 400T300-43 | 0.0451 | 33 | 0.451 | 1.53 | 1.38 | 0.665 | 1.75 | 0.439 | 0.987 | 0.951 | 0.334 | 6.60 | 1739 | 0.306 | 1.31 | -2.10 | 1.21 | 2.91 | 0.479 | |
| 400T300-43 | 0.0451 | 50 | 0.451 | 1.53 | 1.38 | 0.665 | 1.75 | 0.439 | 0.987 | 0.898 | 0.301 | 9.00 | 2078 | 0.306 | 1.31 | -2.10 | 1.21 | 2.91 | 0.479 | |
| 400T300-54 | 0.0566 | 50 | 0.565 | 1.92 | 1.75 | 0.835 | 1.76 | 0.548 | 0.985 | 1.22 | 0.426 | 12.8 | 3372 | 0.604 | 1.66 | -2.09 | 1.21 | 2.91 | 0.482 | |
| 400T300-68 | 0.0713 | 50 | 0.712 | 2.42 | 2.24 | 1.05 | 1.77 | 0.686 | 0.982 | 1.68 | 0.594 | 17.8 | 5205 | 1.21 | 2.12 | -2.08 | 1.20 | 2.90 | 0.487 | |
| 400T300-97 | 0.1017 | 50 | 1.02 | 3.45 | 3.28 | 1.51 | 1.80 | 0.967 | 0.976 | 2.76 | 1.01 | 30.1 | 7337 | 3.50 | 3.11 | -2.06 | 1.19 | 2.90 | 0.497 | |
| 400T300-118 | 0.1242 | 50 | 1.24 | 4.22 | 4.09 | 1.85 | 1.82 | 1.17 | 0.972 | 3.67 | 1.36 | 40.7 | 8881 | 6.37 | 3.88 | -2.05 | 1.18 | 2.90 | 0.503 | |
| 600T125-33 | 0.0346 | 33 | 0.294 | 1.00 | 1.43 | 0.465 | 2.20 | 0.0338 | 0.339 | 1.24 | 0.297 | 5.87 | 622 | 0.117 | 0.238 | -0.516 | 0.337 | 2.29 | 0.949 | |
| 600T125-43 | 0.0451 | 33 | 0.383 | 1.30 | 1.86 | 0.604 | 2.21 | 0.0435 | 0.337 | 1.77 | 0.461 | 9.11 | 1377 | 0.260 | 0.307 | -0.513 | 0.335 | 2.29 | 0.950 | |
| 600T125-43 | 0.0451 | 50 | 0.383 | 1.30 | 1.86 | 0.604 | 2.21 | 0.0435 | 0.337 | 1.66 | 0.402 | 12.1 | 1377 | 0.260 | 0.307 | -0.513 | 0.335 | 2.29 | 0.950 | |
| 600T125-54 | 0.0566 | 50 | 0.480 | 1.64 | 2.34 | 0.756 | 2.21 | 0.0539 | 0.335 | 2.24 | 0.592 | 17.7 | 2728 | 0.513 | 0.384 | -0.508 | 0.332 | 2.29 | 0.951 | |
| 600T125-68 | 0.0713 | 50 | 0.605 | 2.06 | 2.97 | 0.950 | 2.22 | 0.0668 | 0.332 | 2.95 | 0.858 | 25.7 | 5350 | 1.03 | 0.483 | -0.503 | 0.329 | 2.30 | 0.952 | |
| 600T125-97 | 0.1017 | 50 | 0.862 | 2.93 | 4.28 | 1.35 | 2.23 | 0.0919 | 0.327 | 4.28 | 1.35 | 40.3 | 10885 | 2.97 | 0.685 | -0.491 | 0.321 | 2.31 | 0.955 | |
| 600T125-118 | 0.1242 | 50 | 1.05 | 3.58 | 5.27 | 1.64 | 2.24 | 0.109 | 0.322 | 5.27 | 1.64 | 56.3* | 13539 | 5.41 | 0.832 | -0.483 | 0.315 | 2.31 | 0.956 | |
| 600T200-33 | 0.0346 | 33 | 0.346 | 1.18 | 1.91 | 0.622 | 2.35 | 0.126 | 0.604 | 1.51 | 0.333 | 6.59 | 622 | 0.138 | 0.847 | -1.05 | 0.655 | 2.64 | 0.843 | |
| 600T200-43 | 0.0451 | 33 | 0.451 | 1.53 | 2.49 | 0.809 | 2.35 | 0.163 | 0.602 | 2.08 | 0.565 | 11.2 | 1377 | 0.306 | 1.10 | -1.04 | 0.652 | 2.64 | 0.844 | |
| 600T200-43 | 0.0451 | 50 | 0.451 | 1.53 | 2.49 | 0.809 | 2.35 | 0.163 | 0.602 | 1.99 | 0.460 | 13.8 | 1377 | 0.306 | 1.10 | -1.04 | 0.652 | 2.64 | 0.844 | |
| 600T200-54 | 0.0566 | 50 | 0.565 | 1.92 | 3.15 | 1.02 | 2.36 | 0.204 | 0.600 | 2.64 | 0.717 | 21.5 | 2728 | 0.604 | 1.38 | -1.04 | 0.649 | 2.65 | 0.846 | |
| 600T200-68 | 0.0713 | 50 | 0.712 | 2.42 | 3.99 | 1.28 | 2.37 | 0.254 | 0.597 | 3.54 | 0.973 | 29.1 | 5350 | 1.21 | 1.75 | -1.03 | 0.644 | 2.65 | 0.849 | |
| 600T200-97 | 0.1017 | 50 | 1.02 | 3.45 | 5.77 | 1.82 | 2.39 | 0.355 | 0.591 | 5.56 | 1.57 | 46.9 | 10885 | 3.50 | 2.51 | -1.02 | 0.635 | 2.66 | 0.854 | |
| 600T200-118 | 0.1242 | 50 | 1.24 | 4.22 | 7.12 | 2.21 | 2.40 | 0.426 | 0.587 | 7.12 | 2.05 | 61.4 | 13539 | 6.37 | 3.08 | -1.01 | 0.628 | 2.67 | 0.858 | |
| 600T250-33 | 0.0346 | 33 | 0.380 | 1.30 | 2.24 | 0.728 | 2.42 | 0.233 | 0.783 | 1.62 | 0.332 | 6.56 | 622 | 0.152 | 1.54 | -1.44 | 0.880 | 2.93 | 0.758 | |
| 600T250-43 | 0.0451 | 33 | 0.496 | 1.69 | 2.92 | 0.946 | 2.43 | 0.303 | 0.781 | 2.26 | 0.563 | 11.1 | 1377 | 0.336 | 2.00 | -1.44 | 0.878 | 2.92 | 0.759 | |
| 600T250-43 | 0.0451 | 50 | 0.496 | 1.69 | 2.92 | 0.946 | 2.43 | 0.303 | 0.781 | 2.16 | 0.457 | 13.7 | 1377 | 0.336 | 2.00 | -1.44 | 0.878 | 2.92 | 0.759 | |
| 600T250-54 | 0.0566 | 50 | 0.622 | 2.12 | 3.68 | 1.19 | 2.43 | 0.377 | 0.779 | 2.87 | 0.732 | 21.9 | 2728 | 0.664 | 2.52 | -1.43 | 0.874 | 2.93 | 0.761 | |
| 600T250-68 | 0.0713 | 50 | 0.783 | 2.67 | 4.67 | 1.50 | 2.44 | 0.472 | 0.776 | 3.87 | 1.02 | 30.5 | 5350 | 1.33 | 3.20 | -1.42 | 0.869 | 2.93 | 0.764 | |
| 600T250-97 | 0.1017 | 50 | 1.12 | 3.80 | 6.77 | 2.13 | 2.46 | 0.662 | 0.770 | 6.15 | 1.66 | 49.6 | 10885 | 3.85 | 4.62 | -1.41 | 0.859 | 2.94 | 0.771 | |
| 600T250-118 | 0.1242 | 50 | 1.36 | 4.64 | 8.36 | 2.60 | 2.48 | 0.799 | 0.766 | 7.98 | 2.19 | 65.5 | 13539 | 7.01 | 5.69 | -1.39 | 0.852 | 2.94 | 0.776 | |
| 600T300-33 | 0.0346 | 33 | 0.415 | 1.41 | 2.56 | 0.833 | 2.48 | 0.384 | 0.962 | 1.68 | 0.331 | 6.54 | 622 | 0.166 | 2.52 | -1.85 | 1.11 | 3.24 | 0.674 | |
| 600T300-43 | 0.0451 | 33 | 0.541 | 1.84 | 3.34 | 1.08 | 2.48 | 0.498 | 0.960 | 2.42 | 0.556 | 11.0 | 1377 | 0.367 | 3.28 | -1.85 | 1.11 | 3.24 | 0.675 | |
| 600T300-43 | 0.0451 | 50 | 0.541 | 1.84 | 3.34 | 1.08 | 2.48 | 0.498 | 0.960 | 2.28 | 0.455 | 13.6 | 1377 | 0.367 | 3.28 | -1.85 | 1.11 | 3.24 | 0.675 | |
| 600T300-54 | 0.0566 | 50 | 0.679 | 2.31 | 4.21 | 1.36 | 2.49 | 0.622 | 0.957 | 3.08 | 0.722 | 21.6 | 2728 | 0.725 | 4.13 | -1.84 | 1.11 | 3.24 | 0.677 | |
| 600T300-68 | 0.0713 | 50 | 0.854 | 2.91 | 5.35 | 1.71 | 2.50 | 0.779 | 0.954 | 4.16 | 1.05 | 31.5 | 5350 | 1.45 | 5.24 | -1.83 | 1.10 | 3.25 | 0.681 | |
| 600T300-97 | 0.1017 | 50 | 1.22 | 4.15 | 7.76 | 2.44 | 2.52 | 1.10 | 0.949 | 6.66 | 1.72 | 51.6 | 10885 | 4.20 | 7.58 | -1.82 | 1.09 | 3.25 | 0.688 | |
| 600T300-118 | 0.1242 | 50 | 1.49 | 5.06 | 9.60 | 2.98 | 2.54 | 1.33 | 0.944 | 8.71 | 2.29 | 68.6 | 13539 | 7.65 | 9.36 | -1.80 | 1.08 | 3.26 | 0.693 | |
| 800T125-33+ | 0.0346 | 33 | 0.363 | 1.24 | 2.90 | 0.711 | 2.82 | 0.0356 | 0.313 | 2.43 | 0.407 | 8.04 | 465 | 0.145 | 0.456 | -0.439 | 0.294 | 2.87 | 0.977 | |
| 800T125-43 | 0.0451 | 33 | 0.473 | 1.61 | 3.77 | 0.924 | 2.82 | 0.0458 | 0.311 | 3.49 | 0.640 | 12.7 | 1030 | 0.321 | 0.589 | -0.436 | 0.292 | 2.87 | 0.977 | |
| 800T125-43 | 0.0451 | 50 | 0.473 | 1.61 | 3.77 | 0.924 | 2.82 | 0.0458 | 0.311 | 3.24 | 0.552 | 16.5 | 1030 | 0.321 | 0.589 | -0.436 | 0.292 | 2.87 | 0.977 | |
| 800T125-54 | 0.0566 | 50 | 0.594 | 2.02 | 4.75 | 1.16 | 2.83 | 0.0568 | 0.309 | 4.44 | 0.824 | 24.7 | 2039 | 0.634 | 0.735 | -0.432 | 0.289 | 2.88 | 0.977 | |
| 800T125-68 | 0.0713 | 50 | 0.748 | 2.54 | 6.00 | 1.45 | 2.83 | 0.0703 | 0.307 | 5.99 | 1.22 | 36.4 | 4086 | 1.27 | 0.920 | -0.427 | 0.286 | 2.88 | 0.978 | |
| 800T125-97 | 0.1017 | 50 | 1.07 | 3.63 | 8.61 | 2.06 | 2.84 | 0.0967 | 0.301 | 8.61 | 2.06 | 61.7 | 10885 | 3.67 | 1.30 | -0.417 | 0.279 | 2.89 | 0.979 | |
| 800T125-118 | 0.1242 | 50 | 1.30 | 4.43 | 10.6 | 2.51 | 2.85 | 0.115 | 0.297 | 10.6 | 2.51 | 86.2* | 16235 | 6.69 | 1.57 | -0.410 | 0.274 | 2.90 | 0.980 | |
| 800T200-33+ | 0.0346 | 33 | 0.415 | 1.41 | 3.75 | 0.921 | 3.01 | 0.135 | 0.571 | 2.73 | 0.424 | 8.37 | 465 | 0.166 | 1.64 | -0.917 | 0.589 | 3.19 | 0.918 | |
| 800T200-43 | 0.0451 | 33 | 0.541 | 1.84 | 4.89 | 1.20 | 3.01 | 0.175 | 0.569 | 4.00 | 0.676 | 13.4 | 1030 | 0.367 | 2.12 | -0.913 | 0.587 | 3.19 | 0.918 | |
| 800T200-43 | 0.0451 | 50 | 0.541 | 1.84 | 4.89 | 1.20 | 3.01 | 0.175 | 0.569 | 3.66 | 0.577 | 17.3 | 1030 | 0.367 | 2.12 | -0.913 | 0.587 | 3.19 | 0.918 | |
| 800T200-54 | 0.0566 | 50 | 0.679 | 2.31 | 6.15 | 1.50 | 3.01 | 0.218 | 0.567 | 5.11 | 0.872 | 26.1 | 2039 | 0.725 | 2.66 | -0.908 | 0.584 | 3.20 | 0.919 | |
| 800T200-68 | 0.0713 | 50 | 0.854 | 2.91 | 7.79 | 1.89 | 3.02 | 0.272 | 0.564 | 7.06 | 1.31 | 39.2 | 4086 | 1.45 | 3.36 | -0.902 | 0.580 | 3.20 | 0.921 | |
| 800T200-97 | 0.1017 | 50 | 1.22 | 4.15 | 11.2 | 2.68 | 3.03 | 0.379 | 0.558 | 11.0 | 2.35 | 70.3 | 10885 | 4.20 | 4.79 | -0.889 | 0.571 | 3.21 | 0.923 | |
| 800T200-118 | 0.1242 | 50 | 1.49 | 5.06 | 13.8 | 3.27 | 3.05 | 0.456 | 0.554 | 13.8 | 3.06 | 91.6 | 16235 | 7.65 | 5.85 | -0.879 | 0.565 | 3.22 | 0.925 | |
| 800T250-33+ | 0.0346 | 33 | 0.450 | 1.53 | 4.32 | 1.06 | 3.10 | 0.252 | 0.748 | 2.92 | 0.442 | 8.74 | 465 | 0.179 | 2.99 | -1.28 | 0.804 | 3.43 | 0.862 | |
| 800T250-43 | 0.0451 | 33 | 0.586 | 1.99 | 5.63 | 1.38 | 3.10 | 0.326 | 0.746 | 4.49 | 0.739 | 14.6 | 1030 | 0.397 | 3.88 | -1.27 | 0.801 | 3.43 | 0.862 | |
| 800T250-43 | 0.0451 | 50 | 0.586 | 1.99 | 5.63 | 1.38 | 3.10 | 0.326 | 0.746 | 3.96 | 0.607 | 18.2 | 1030 | 0.397 | 3.88 | -1.27 | 0.801 | 3.43 | 0.862 | |
| 800T250-54 | 0.0566 | 50 | 0.735 | 2.50 | 7.09 | 1.73 | 3.11 | 0.407 | 0.744 | 5.70 | 0.959 | 28.7 | 2039 | 0.785 | 4.87 | -1.27 | 0.798 | 3.44 | 0.864 | |
| 800T250-68 | 0.0713 | 50 | 0.926 | 3.15 | 8.98 | 2.18 | 3.11 | 0.509 | 0.741 | 7.59 | 1.56 | 46.7 | 4086 | 1.57 | 6.15 | -1.26 | 0.793 | 3.44 | 0.866 | |
| 800T250-97 | 0.1017 | 50 | 1.32 | 4.49 | 12.9 | 3.10 | 3.13 | 0.714 | 0.735 | 11.9 | 2.49 | 74.5 | 10885 | 4.55 | 8.82 | -1.25 | 0.784 | 3.45 | 0.869 | |
| 800T250-118 | 0.1242 | 50 | 1.61 | 5.48 | 15.9 | 3.78 | 3.14 | 0.861 | 0.731 | 15.3 | 3.25 | 97.3 | 16235 | 8.28 | 10.8 | -1.24 | 0.777 | 3.46 | 0.872 | |
| 800T300-33+ | 0.0346 | 33 | 0.484 | 1.65 | 4.89 | 1.20 | 3.18 | 0.416 | 0.927 | 3.13 | 0.443 | 8.76 | 465 | 0.193 | 4.87 | -1.66 | 1.03 | 3.70 | 0.799 | |
| 800T300-43 | 0.0451 | 33 | 0.631 | 2.15 | 6.37 | 1.56 | 3.18 | 0.540 | 0.925 | 4.84 | 0.737 | 14.6 | 1030 | 0.428 | 6.33 | -1.66 | 1.02 | 3.70 | 0.800 | |
| 800T300-43 | 0.0451 | 50 | 0.631 | 2.15 | 6.37 | 1.56 | 3.18 | 0.540 | 0.925 | 4.25 | 0.608 | 18.2 | 1030 | 0.428 | 6.33 | -1.66 | 1.02 | 3.70 | 0.800 | |
| 800T300-54 | 0.0566 | 50 | 0.792 | 2.69 | | | | | | | | | | | | | | | | |

STRUCTURAL TRACK SECTION PROPERTIES

| MEMBER | DESIGN THICKNESS (in.) | F _y (ksi) | GROSS PROPERTIES | | | | | | | EFFECTIVE PROPERTIES | | | | TORSIONAL PROPERTIES | | | | | |
|--------------|------------------------|----------------------|--------------------------|----------------|------------------------------------|------------------------------------|----------------------|------------------------------------|----------------------|-------------------------------------|-------------------------------------|------------------------|----------------------|----------------------------|------------------------------------|----------------------|---------|----------------------|-------|
| | | | AREA (in. ²) | WEIGHT (lb/ft) | I _x (in. ⁴) | S _x (in. ³) | r _x (in.) | I _y (in. ⁴) | r _y (in.) | I _{xd} (in. ⁴) | S _{xe} (in. ³) | M _a (in.-k) | V _{ag} (lb) | Jx1000 (in. ⁴) | C _w (in. ⁶) | X ₀ (in.) | m (in.) | r ₀ (in.) | β |
| 1000T200-43+ | 0.0451 | 33 | 0.631 | 2.15 | 8.36 | 1.65 | 3.64 | 0.183 | 0.539 | 6.64 | 0.861 | 17.0 | 822 | 0.428 | 3.54 | -0.813 | 0.534 | 3.77 | 0.953 |
| 1000T200-43+ | 0.0451 | 50 | 0.631 | 2.15 | 8.36 | 1.65 | 3.64 | 0.183 | 0.539 | 6.03 | 0.731 | 21.9 | 822 | 0.428 | 3.54 | -0.813 | 0.534 | 3.77 | 0.953 |
| 1000T200-54 | 0.0566 | 50 | 0.792 | 2.69 | 10.5 | 2.06 | 3.65 | 0.228 | 0.537 | 8.48 | 1.11 | 33.3 | 1627 | 0.845 | 4.43 | -0.809 | 0.531 | 3.77 | 0.954 |
| 1000T200-68 | 0.0713 | 50 | 0.997 | 3.39 | 13.3 | 2.59 | 3.65 | 0.284 | 0.534 | 11.8 | 1.68 | 50.4 | 3260 | 1.69 | 5.58 | -0.803 | 0.527 | 3.78 | 0.955 |
| 1000T200-97 | 0.1017 | 50 | 1.42 | 4.84 | 19.1 | 3.69 | 3.66 | 0.397 | 0.528 | 18.7 | 3.08 | 92.3 | 9505 | 4.90 | 7.92 | -0.791 | 0.519 | 3.79 | 0.956 |
| 1000T200-118 | 0.1242 | 50 | 1.74 | 5.91 | 23.4 | 4.49 | 3.67 | 0.477 | 0.524 | 23.4 | 4.21 | 126 | 16235 | 8.92 | 9.65 | -0.783 | 0.514 | 3.79 | 0.957 |
| 1000T250-43+ | 0.0451 | 33 | 0.676 | 2.30 | 9.52 | 1.87 | 3.75 | 0.344 | 0.713 | 6.80 | 0.877 | 17.3 | 822 | 0.458 | 6.48 | -1.15 | 0.737 | 3.99 | 0.917 |
| 1000T250-43+ | 0.0451 | 50 | 0.676 | 2.30 | 9.52 | 1.87 | 3.75 | 0.344 | 0.713 | 6.11 | 0.742 | 22.2 | 822 | 0.458 | 6.48 | -1.15 | 0.737 | 3.99 | 0.917 |
| 1000T250-54 | 0.0566 | 50 | 0.848 | 2.89 | 12.0 | 2.35 | 3.76 | 0.429 | 0.711 | 8.70 | 1.13 | 33.9 | 1627 | 0.906 | 8.13 | -1.14 | 0.734 | 3.99 | 0.918 |
| 1000T250-68 | 0.0713 | 50 | 1.07 | 3.64 | 15.1 | 2.95 | 3.76 | 0.536 | 0.708 | 12.3 | 1.73 | 51.7 | 3260 | 1.81 | 10.2 | -1.14 | 0.730 | 3.99 | 0.919 |
| 1000T250-97 | 0.1017 | 50 | 1.52 | 5.18 | 21.8 | 4.20 | 3.78 | 0.751 | 0.702 | 20.1 | 3.20 | 95.9 | 9505 | 5.25 | 14.6 | -1.12 | 0.721 | 4.00 | 0.921 |
| 1000T250-118 | 0.1242 | 50 | 1.86 | 6.33 | 26.7 | 5.12 | 3.79 | 0.906 | 0.698 | 25.7 | 4.42 | 132 | 16235 | 9.56 | 17.9 | -1.11 | 0.715 | 4.01 | 0.923 |
| 1000T300-43+ | 0.0451 | 33 | 0.721 | 2.45 | 10.7 | 2.10 | 3.85 | 0.572 | 0.891 | 7.92 | 0.919 | 18.2 | 822 | 0.489 | 10.6 | -1.51 | 0.950 | 4.23 | 0.873 |
| 1000T300-43+ | 0.0451 | 50 | 0.721 | 2.45 | 10.7 | 2.10 | 3.85 | 0.572 | 0.891 | 6.89 | 0.762 | 22.8 | 822 | 0.489 | 10.6 | -1.51 | 0.950 | 4.23 | 0.873 |
| 1000T300-54 | 0.0566 | 50 | 0.905 | 3.08 | 13.4 | 2.63 | 3.85 | 0.714 | 0.888 | 10.2 | 1.19 | 35.7 | 1627 | 0.966 | 13.3 | -1.50 | 0.947 | 4.23 | 0.874 |
| 1000T300-68 | 0.0713 | 50 | 1.14 | 3.88 | 17.0 | 3.31 | 3.86 | 0.894 | 0.885 | 14.1 | 1.91 | 57.0 | 3260 | 1.93 | 16.8 | -1.49 | 0.943 | 4.23 | 0.876 |
| 1000T300-97 | 0.1017 | 50 | 1.63 | 5.53 | 24.4 | 4.72 | 3.88 | 1.26 | 0.880 | 21.9 | 3.59 | 107 | 9505 | 5.60 | 24.0 | -1.48 | 0.934 | 4.24 | 0.879 |
| 1000T300-118 | 0.1242 | 50 | 1.98 | 6.75 | 30.0 | 5.76 | 3.89 | 1.52 | 0.875 | 28.1 | 4.67 | 140 | 16235 | 10.2 | 29.4 | -1.47 | 0.927 | 4.25 | 0.881 |
| 1200T125-54+ | 0.0566 | 50 | 0.820 | 2.79 | 13.3 | 2.19 | 4.03 | 0.0601 | 0.271 | 11.4 | 1.29 | 38.5 | 1354 | 0.876 | 1.82 | -0.333 | 0.230 | 4.06 | 0.993 |
| 1200T125-68 | 0.0713 | 50 | 1.03 | 3.51 | 16.8 | 2.75 | 4.04 | 0.0744 | 0.268 | 15.7 | 1.93 | 57.9 | 2712 | 1.75 | 2.27 | -0.329 | 0.227 | 4.06 | 0.993 |
| 1200T125-97 | 0.1017 | 50 | 1.47 | 5.01 | 24.1 | 3.90 | 4.04 | 0.102 | 0.264 | 24.0 | 3.44 | 103 | 7901 | 5.08 | 3.17 | -0.322 | 0.222 | 4.07 | 0.994 |
| 1200T125-118 | 0.1242 | 50 | 1.80 | 6.12 | 29.5 | 4.74 | 4.05 | 0.122 | 0.260 | 29.5 | 4.49 | 134 | 14431 | 9.24 | 3.81 | -0.316 | 0.218 | 4.07 | 0.994 |
| 1200T200-54+ | 0.0566 | 50 | 0.905 | 3.08 | 16.5 | 2.70 | 4.27 | 0.236 | 0.510 | 12.8 | 1.35 | 40.4 | 1354 | 0.966 | 6.71 | -0.730 | 0.487 | 4.36 | 0.972 |
| 1200T200-68 | 0.0713 | 50 | 1.14 | 3.88 | 20.8 | 3.40 | 4.27 | 0.294 | 0.508 | 18.0 | 2.06 | 61.6 | 2712 | 1.93 | 8.43 | -0.725 | 0.483 | 4.36 | 0.972 |
| 1200T200-97 | 0.1017 | 50 | 1.63 | 5.53 | 29.8 | 4.82 | 4.28 | 0.410 | 0.502 | 29.2 | 3.82 | 114 | 7901 | 5.60 | 11.9 | -0.714 | 0.476 | 4.37 | 0.973 |
| 1200T200-118 | 0.1242 | 50 | 1.98 | 6.75 | 36.5 | 5.88 | 4.29 | 0.493 | 0.498 | 36.5 | 5.28 | 158 | 14431 | 10.2 | 14.5 | -0.706 | 0.471 | 4.38 | 0.974 |
| 1200T250-54+ | 0.0566 | 50 | 0.962 | 3.27 | 18.6 | 3.04 | 4.39 | 0.445 | 0.681 | 13.0 | 1.37 | 41.1 | 1354 | 1.03 | 12.3 | -1.04 | 0.680 | 4.56 | 0.948 |
| 1200T250-68 | 0.0713 | 50 | 1.21 | 4.12 | 23.4 | 3.83 | 4.40 | 0.556 | 0.678 | 18.5 | 2.11 | 63.1 | 2712 | 2.05 | 15.5 | -1.03 | 0.676 | 4.57 | 0.949 |
| 1200T250-97 | 0.1017 | 50 | 1.73 | 5.88 | 33.6 | 5.44 | 4.41 | 0.780 | 0.672 | 30.7 | 3.95 | 118 | 7901 | 5.95 | 22.1 | -1.02 | 0.668 | 4.58 | 0.950 |
| 1200T250-118 | 0.1242 | 50 | 2.11 | 7.17 | 41.2 | 6.63 | 4.42 | 0.941 | 0.668 | 39.8 | 5.52 | 165 | 14431 | 10.8 | 26.9 | -1.01 | 0.662 | 4.59 | 0.951 |
| 1200T300-54+ | 0.0566 | 50 | 1.02 | 3.46 | 20.6 | 3.38 | 4.50 | 0.745 | 0.855 | 14.1 | 1.39 | 41.7 | 1354 | 1.09 | 20.2 | -1.38 | 0.884 | 4.78 | 0.917 |
| 1200T300-68 | 0.0713 | 50 | 1.28 | 4.36 | 26.1 | 4.26 | 4.51 | 0.932 | 0.852 | 20.1 | 2.14 | 64.1 | 2712 | 2.17 | 25.5 | -1.37 | 0.880 | 4.79 | 0.918 |
| 1200T300-97 | 0.1017 | 50 | 1.83 | 6.22 | 37.4 | 6.06 | 4.53 | 1.31 | 0.847 | 33.5 | 4.05 | 121 | 7901 | 6.30 | 36.4 | -1.36 | 0.871 | 4.80 | 0.920 |
| 1200T300-118 | 0.1242 | 50 | 2.23 | 7.60 | 45.9 | 7.39 | 4.54 | 1.58 | 0.842 | 43.2 | 5.70 | 171 | 14431 | 11.5 | 44.4 | -1.35 | 0.865 | 4.81 | 0.922 |
| 1400T125-54+ | 0.0566 | 50 | 0.933 | 3.18 | 20.0 | 2.81 | 4.63 | 0.0611 | 0.256 | 16.0 | 1.52 | 45.4 | 1160 | 0.997 | 2.56 | -0.299 | 0.209 | 4.64 | 0.996 |
| 1400T125-68 | 0.0713 | 50 | 1.18 | 4.00 | 25.2 | 3.54 | 4.63 | 0.0757 | 0.254 | 22.4 | 2.29 | 68.7 | 2322 | 1.99 | 3.19 | -0.296 | 0.206 | 4.65 | 0.996 |
| 1400T125-97 | 0.1017 | 50 | 1.68 | 5.70 | 36.0 | 5.02 | 4.64 | 0.104 | 0.249 | 34.8 | 4.13 | 124 | 6759 | 5.78 | 4.44 | -0.289 | 0.201 | 4.65 | 0.996 |
| 1400T125-118 | 0.1242 | 50 | 2.05 | 6.96 | 44.1 | 6.11 | 4.64 | 0.124 | 0.246 | 44.0 | 5.45 | 163 | 12342 | 10.5 | 5.33 | -0.284 | 0.197 | 4.66 | 0.996 |
| 1400T200-54+ | 0.0566 | 50 | 1.02 | 3.46 | 24.2 | 3.41 | 4.88 | 0.242 | 0.487 | 17.8 | 1.59 | 47.6 | 1160 | 1.09 | 9.52 | -0.665 | 0.449 | 4.95 | 0.982 |
| 1400T200-68 | 0.0713 | 50 | 1.28 | 4.36 | 30.6 | 4.29 | 4.88 | 0.301 | 0.485 | 25.2 | 2.43 | 72.8 | 2322 | 2.17 | 11.9 | -0.661 | 0.446 | 4.95 | 0.982 |
| 1400T200-97 | 0.1017 | 50 | 1.83 | 6.22 | 43.8 | 6.10 | 4.89 | 0.420 | 0.479 | 41.6 | 4.56 | 136 | 6759 | 6.30 | 16.9 | -0.651 | 0.439 | 4.96 | 0.983 |
| 1400T200-118 | 0.1242 | 50 | 2.23 | 7.60 | 53.6 | 7.43 | 4.90 | 0.505 | 0.476 | 53.5 | 6.35 | 190 | 12342 | 11.5 | 20.5 | -0.644 | 0.434 | 4.97 | 0.983 |
| 1400T250-54+ | 0.0566 | 50 | 1.08 | 3.66 | 27.1 | 3.81 | 5.02 | 0.459 | 0.653 | 18.2 | 1.62 | 48.4 | 1160 | 1.15 | 17.6 | -0.954 | 0.633 | 5.15 | 0.966 |
| 1400T250-68 | 0.0713 | 50 | 1.35 | 4.61 | 34.2 | 4.79 | 5.02 | 0.573 | 0.650 | 26.1 | 2.49 | 74.4 | 2322 | 2.29 | 22.1 | -0.949 | 0.629 | 5.15 | 0.966 |
| 1400T250-97 | 0.1017 | 50 | 1.93 | 6.57 | 48.9 | 6.82 | 5.04 | 0.803 | 0.645 | 43.8 | 4.71 | 141 | 6759 | 6.65 | 31.3 | -0.938 | 0.622 | 5.16 | 0.967 |
| 1400T250-118 | 0.1242 | 50 | 2.36 | 8.02 | 60.0 | 8.31 | 5.05 | 0.968 | 0.641 | 57.5 | 6.62 | 198 | 12342 | 12.1 | 38.1 | -0.930 | 0.616 | 5.17 | 0.968 |
| 1400T300-54+ | 0.0566 | 50 | 1.13 | 3.85 | 29.9 | 4.21 | 5.14 | 0.769 | 0.825 | 19.0 | 1.64 | 49.0 | 1160 | 1.21 | 28.8 | -1.27 | 0.829 | 5.36 | 0.944 |
| 1400T300-68 | 0.0713 | 50 | 1.43 | 4.85 | 37.7 | 5.30 | 5.15 | 0.963 | 0.822 | 27.3 | 2.52 | 75.6 | 2322 | 2.41 | 36.3 | -1.27 | 0.825 | 5.36 | 0.944 |
| 1400T300-97 | 0.1017 | 50 | 2.03 | 6.91 | 54.1 | 7.54 | 5.16 | 1.35 | 0.816 | 46.3 | 4.82 | 144 | 6759 | 7.00 | 51.6 | -1.25 | 0.817 | 5.37 | 0.946 |
| 1400T300-118 | 0.1242 | 50 | 2.48 | 8.44 | 66.3 | 9.19 | 5.17 | 1.64 | 0.812 | 61.1 | 6.82 | 204 | 12342 | 12.8 | 63.0 | -1.24 | 0.811 | 5.38 | 0.947 |
| 1600T125-68+ | 0.0713 | 50 | 1.32 | 4.49 | 35.9 | 4.42 | 5.22 | 0.0767 | 0.241 | 30.6 | 2.65 | 79.4 | 2029 | 2.23 | 4.27 | -0.268 | 0.189 | 5.23 | 0.997 |
| 1600T125-97 | 0.1017 | 50 | 1.88 | 6.40 | 51.3 | 6.28 | 5.23 | 0.106 | 0.237 | 48.1 | 4.83 | 144 | 5906 | 6.48 | 5.94 | -0.262 | 0.184 | 5.24 | 0.997 |
| 1600T125-118 | 0.1242 | 50 | 2.29 | 7.81 | 62.8 | 7.64 | 5.23 | 0.125 | 0.234 | 61.3 | 6.42 | 192 | 10781 | 11.8 | 7.13 | -0.257 | 0.181 | 5.24 | 0.998 |
| 1600T200-68+ | 0.0713 | 50 | 1.43 | 4.85 | 42.9 | 5.28 | 5.49 | 0.307 | 0.464 | 33.4 | 2.81 | 84.0 | 2029 | 2.41 | 16.1 | -0.607 | 0.414 | 5.54 | 0.988 |
| 1600T200-97 | 0.1017 | 50 | 2.03 | 6.91 | 61.4 | 7.51 | 5.50 | 0.428 | 0.459 | 56.0 | 5.30 | 159 | 5906 | 7.00 | 22.8 | -0.598 | 0.408 | 5.55 | 0.988 |
| 1600T200-118 | 0.1242 | 50 | 2.48 | 8.44 | 75.1 | 9.15 | 5.50 | 0.515 | 0.455 | 73.2 | 7.43 | 223 | 10781 | 12.8 | 27.6 | -0.592 | 0.403 | 5.55 | 0.989 |
| 1600T250-68+ | 0.0713 | 50 | 1.50 | 5.09 | 47.6 | 5.86 | 5.64 | 0.586 | 0.626 | 35.1 | 2.86 | 85.8 | 2029 | 2.54 | 29.9 | -0.878 | 0.588 | 5.74 | 0.977 |
| 1600T250-97 | 0.1017 | 50 | 2.13 | 7.26 | 68.1 | 8.33 | 5.65 | 0.821 | 0.620 | 59.6 | 5.46 | 164 | 5906 | 7.36 | 42.4 | -0.868 | 0.581 | 5.75 | 0.977 |
| 1600T250-118 | 0.1242 | 50 | 2.61 | 8.86 | 83.4 | 10.2 | 5.66 | 0.990 | 0.616 | 78.6 | 7.73 | 231 | 10781 | 13.4 | 51.5 | -0.860 | 0.576 | 5.76 | 0.978 |
| 1600T300-68+ | 0.0713 | 50 | 1.57 | 5.33 | 52.2 | 6.43 | 5.77 | 0.988 | 0.794 | 37.5 | | | | | | | | | |

INTERIOR LIMITING HEIGHTS

| MEMBER | F _y (ksi) | SPACING (in.) o.c. | 5 psf | | | 7.5 psf | | | 10 psf | | |
|-------------|-------------------------|-----------------------|---------|---------|---------|---------|---------|---------|---------|---------|---------|
| | | | L/120 | L/240 | L/360 | L/120 | L/240 | L/360 | L/240 | L/360 | L/600 |
| 362S137-33 | 33 | 12 | 23' 2" | 18' 6" | 16' 1" | 16' 1" | 14' 1" | 11' 10" | 14' 7" | 12' 9" | 10' 9" |
| | | 16 | 21' 1" | 16' 9" | 14' 7" | 14' 7" | 12' 9" | 10' 9" | 13' 3" | 11' 7" | 9' 9" |
| | | 24 | 17' 2" | 14' 7" | 12' 9" | 12' 9" | 11' 2" | 9' 4" | 11' 7" | 10' 2" | 8' 7" |
| 362S137-43 | 33 | 12 | 25' 3" | 20' 1" | 17' 6" | 17' 6" | 15' 3" | 12' 10" | 15' 10" | 13' 10" | 11' 8" |
| | | 16 | 23' 0" | 18' 2" | 15' 10" | 15' 10" | 13' 10" | 11' 8" | 14' 6" | 12' 7" | 10' 8" |
| | | 24 | 20' 1" | 15' 10" | 13' 10" | 13' 10" | 10' 3" | 10' 3" | 12' 7" | 11' 0" | 9' 3" |
| 362S137-43 | 50 | 12 | 25' 3" | 20' 1" | 17' 6" | 17' 6" | 15' 3" | 12' 10" | 15' 10" | 13' 10" | 11' 8" |
| | | 16 | 23' 0" | 18' 2" | 15' 10" | 15' 10" | 13' 10" | 11' 8" | 14' 6" | 12' 7" | 10' 8" |
| | | 24 | 20' 1" | 15' 10" | 13' 10" | 13' 10" | 12' 2" | 10' 3" | 12' 7" | 11' 0" | 9' 3" |
| 362S137-54 | 50 | 12 | 27' 1" | 21' 6" | 18' 9" | 18' 9" | 16' 4" | 13' 9" | 17' 0" | 14' 10" | 12' 7" |
| | | 16 | 24' 7" | 19' 6" | 17' 0" | 17' 0" | 14' 10" | 13' 9" | 15' 6" | 13' 6" | 11' 4" |
| | | 24 | 21' 6" | 17' 0" | 14' 10" | 14' 10" | 13' 0" | 11' 0" | 13' 6" | 11' 9" | 10' 0" |
| 362S137-68 | 50 | 12 | 28' 10" | 23' 0" | 20' 1" | 20' 1" | 17' 6" | 14' 9" | 18' 2" | 15' 10" | 13' 4" |
| | | 16 | 26' 3" | 20' 10" | 18' 2" | 18' 2" | 15' 10" | 13' 4" | 16' 7" | 14' 6" | 12' 2" |
| | | 24 | 23' 0" | 18' 2" | 15' 10" | 15' 10" | 13' 10" | 11' 8" | 14' 6" | 12' 7" | 10' 8" |
| 362S137-97 | 50 | 12 | 31' 9" | 25' 3" | 22' 1" | 22' 1" | 19' 3" | 16' 3" | 20' 0" | 17' 6" | 14' 9" |
| | | 16 | 28' 10" | 22' 10" | 20' 0" | 20' 0" | 17' 6" | 14' 9" | 18' 2" | 15' 10" | 13' 4" |
| | | 24 | 25' 3" | 20' 0" | 17' 6" | 17' 6" | 15' 3" | 12' 10" | 15' 10" | 13' 10" | 11' 8" |
| 362S162-33 | 33 | 12 | 24' 4" | 19' 3" | 16' 10" | 16' 10" | 14' 9" | 12' 4" | 15' 3" | 13' 4" | 11' 3" |
| | | 16 | 22' 1" | 17' 7" | 15' 3" | 15' 3" | 13' 4" | 11' 3" | 13' 10" | 12' 2" | 10' 3" |
| | | 24 | 18' 7" | 15' 3" | 13' 4" | 13' 4" | 11' 8" | 9' 10" | 12' 2" | 10' 7" | 9' 0" |
| 362S162-43 | 33 | 12 | 26' 6" | 21' 0" | 18' 4" | 18' 4" | 16' 1" | 13' 6" | 16' 8" | 14' 7" | 12' 3" |
| | | 16 | 24' 1" | 19' 1" | 16' 8" | 16' 8" | 14' 7" | 12' 3" | 15' 2" | 13' 3" | 11' 2" |
| | | 24 | 21' 0" | 16' 8" | 14' 7" | 14' 7" | 12' 8" | 10' 8" | 13' 3" | 11' 7" | 9' 9" |
| 362S162-43 | 50 | 12 | 26' 6" | 21' 0" | 18' 4" | 18' 4" | 16' 1" | 13' 6" | 16' 8" | 14' 7" | 12' 3" |
| | | 16 | 24' 1" | 19' 1" | 16' 8" | 16' 8" | 14' 7" | 12' 3" | 15' 2" | 13' 3" | 11' 2" |
| | | 24 | 21' 0" | 16' 8" | 14' 7" | 14' 7" | 12' 8" | 10' 8" | 13' 3" | 11' 7" | 9' 9" |
| 362S162-54 | 50 | 12 | 28' 4" | 22' 6" | 19' 8" | 19' 8" | 17' 2" | 14' 6" | 17' 10" | 15' 7" | 13' 2" |
| | | 16 | 25' 9" | 20' 6" | 17' 10" | 17' 10" | 15' 7" | 13' 2" | 16' 2" | 14' 2" | 12' 0" |
| | | 24 | 22' 6" | 17' 10" | 15' 7" | 15' 7" | 13' 7" | 11' 6" | 14' 2" | 12' 4" | 10' 6" |
| 362S162-68 | 50 | 12 | 30' 4" | 24' 1" | 21' 1" | 21' 1" | 18' 4" | 15' 6" | 19' 1" | 16' 8" | 14' 1" |
| | | 16 | 27' 7" | 21' 10" | 19' 1" | 19' 1" | 16' 8" | 14' 1" | 17' 4" | 15' 2" | 12' 9" |
| | | 24 | 24' 1" | 19' 1" | 16' 8" | 16' 8" | 14' 7" | 12' 3" | 15' 2" | 13' 3" | 11' 2" |
| 362S162-97 | 50 | 12 | 33' 6" | 26' 7" | 23' 2" | 23' 2" | 20' 3" | 17' 1" | 21' 1" | 18' 4" | 15' 7" |
| | | 16 | 30' 4" | 24' 2" | 21' 1" | 21' 1" | 18' 4" | 15' 7" | 19' 2" | 16' 9" | 14' 1" |
| | | 24 | 26' 7" | 21' 1" | 18' 4" | 18' 4" | 16' 1" | 13' 7" | 16' 9" | 14' 7" | 12' 3" |
| 362S162-118 | 50 | 12 | 35' 3" | 28' 0" | 24' 6" | 24' 6" | 21' 4" | 18' 0" | 22' 2" | 19' 4" | 16' 4" |
| | | 16 | 32' 0" | 25' 4" | 22' 2" | 22' 2" | 19' 4" | 16' 4" | 20' 2" | 17' 7" | 14' 10" |
| | | 24 | 28' 0" | 22' 2" | 19' 4" | 19' 4" | 17' 0" | 14' 3" | 17' 7" | 15' 4" | 13' 0" |
| 362S200-33 | 33 | 12 | 25' 8" | 20' 4" | 17' 9" | 17' 9" | 15' 7" | 13' 1" | 16' 2" | 14' 1" | 11' 10" |
| | | 16 | 23' 3" | 18' 6" | 16' 2" | 16' 2" | 14' 1" | 11' 10" | 14' 8" | 12' 9" | 10' 9" |
| | | 24 | 19' 8" | 16' 2" | 14' 1" | 14' 1" | 12' 4" | 10' 4" | 12' 9" | 11' 2" | 9' 6" |
| 362S200-43 | 33 | 12 | 28' 0" | 22' 2" | 19' 4" | 19' 4" | 17' 0" | 14' 3" | 17' 7" | 15' 4" | 13' 0" |
| | | 16 | 25' 4" | 20' 2" | 17' 7" | 17' 7" | 15' 4" | 13' 0" | 16' 0" | 14' 0" | 11' 9" |
| | | 24 | 22' 2" | 17' 7" | 15' 4" | 15' 4" | 13' 6" | 11' 3" | 14' 0" | 12' 2" | 10' 3" |
| 362S200-43 | 50 | 12 | 28' 0" | 22' 2" | 19' 4" | 19' 4" | 17' 0" | 14' 3" | 17' 7" | 15' 4" | 13' 0" |
| | | 16 | 25' 4" | 20' 2" | 17' 7" | 17' 7" | 15' 4" | 13' 0" | 16' 0" | 14' 0" | 11' 9" |
| | | 24 | 22' 2" | 17' 7" | 15' 4" | 15' 4" | 13' 6" | 11' 3" | 14' 0" | 12' 2" | 10' 3" |
| 362S200-54 | 50 | 12 | 30' 0" | 23' 9" | 20' 9" | 20' 9" | 18' 2" | 15' 3" | 18' 10" | 16' 6" | 13' 10" |
| | | 16 | 27' 3" | 21' 7" | 18' 10" | 18' 10" | 16' 6" | 13' 10" | 17' 2" | 15' 0" | 12' 8" |
| | | 24 | 23' 9" | 18' 10" | 16' 6" | 16' 6" | 14' 4" | 12' 2" | 15' 0" | 13' 1" | 11' 1" |
| 362S200-68 | 50 | 12 | 32' 1" | 25' 6" | 22' 3" | 22' 3" | 19' 6" | 16' 4" | 20' 2" | 17' 8" | 14' 10" |
| | | 16 | 29' 2" | 23' 2" | 20' 2" | 20' 2" | 17' 8" | 14' 10" | 18' 4" | 16' 1" | 13' 7" |
| | | 24 | 25' 6" | 20' 2" | 17' 8" | 17' 8" | 15' 4" | 13' 0" | 16' 1" | 14' 0" | 11' 9" |
| 362S200-97 | 50 | 12 | 35' 6" | 28' 2" | 24' 7" | 24' 7" | 21' 6" | 18' 2" | 22' 4" | 19' 7" | 16' 6" |
| | | 16 | 32' 3" | 25' 7" | 22' 4" | 22' 4" | 19' 7" | 16' 6" | 20' 3" | 17' 9" | 15' 0" |
| | | 24 | 28' 2" | 22' 4" | 19' 7" | 19' 7" | 17' 1" | 14' 4" | 17' 9" | 15' 6" | 13' 1" |
| 362S200-118 | 50 | 12 | 37' 6" | 29' 8" | 26' 0" | 26' 0" | 22' 8" | 19' 1" | 23' 7" | 20' 7" | 17' 4" |
| | | 16 | 34' 0" | 27' 0" | 23' 7" | 23' 7" | 20' 7" | 17' 4" | 21' 4" | 18' 8" | 15' 9" |
| | | 24 | 29' 8" | 23' 7" | 20' 7" | 20' 7" | 18' 0" | 15' 2" | 18' 8" | 16' 4" | 13' 9" |
| 362S250-33 | 33 | 12 | 26' 8" | 21' 2" | 18' 6" | 18' 6" | 16' 2" | 13' 8" | 16' 9" | 14' 8" | 12' 4" |
| | | 16 | 24' 3" | 19' 3" | 16' 9" | 16' 9" | 14' 8" | 12' 4" | 15' 3" | 13' 4" | 11' 3" |
| | | 24 | 20' 4" | 16' 9" | 14' 8" | 14' 8" | 12' 10" | 10' 9" | 13' 4" | 11' 8" | 9' 10" |
| 362S250-43 | 33 | 12 | 29' 6" | 23' 4" | 20' 6" | 20' 6" | 17' 10" | 15' 1" | 18' 7" | 16' 2" | 13' 8" |
| | | 16 | 26' 9" | 21' 3" | 18' 7" | 18' 7" | 16' 2" | 13' 8" | 16' 10" | 14' 9" | 12' 4" |
| | | 24 | 23' 4" | 18' 7" | 16' 2" | 16' 2" | 14' 2" | 12' 0" | 14' 9" | 12' 10" | 10' 10" |
| 362S250-43 | 50 | 12 | 29' 2" | 23' 1" | 20' 2" | 20' 2" | 17' 8" | 14' 10" | 18' 4" | 16' 0" | 13' 6" |
| | | 16 | 26' 6" | 21' 0" | 18' 4" | 18' 4" | 16' 0" | 13' 6" | 16' 8" | 14' 7" | 12' 3" |
| | | 24 | 23' 1" | 18' 4" | 16' 0" | 16' 0" | 14' 0" | 11' 9" | 14' 7" | 12' 8" | 10' 8" |
| 362S250-54 | 50 | 12 | 31' 7" | 25' 0" | 21' 10" | 21' 10" | 19' 1" | 16' 1" | 19' 10" | 17' 4" | 14' 7" |
| | | 16 | 28' 8" | 22' 9" | 19' 10" | 19' 10" | 17' 4" | 14' 7" | 18' 1" | 15' 9" | 13' 3" |
| | | 24 | 25' 0" | 19' 10" | 17' 4" | 17' 4" | 15' 2" | 12' 9" | 15' 9" | 13' 9" | 11' 7" |
| 362S250-68 | 50 | 12 | 33' 10" | 26' 10" | 23' 6" | 23' 6" | 20' 7" | 17' 3" | 21' 4" | 18' 8" | 15' 9" |
| | | 16 | 30' 9" | 24' 6" | 21' 4" | 21' 4" | 18' 8" | 15' 9" | 19' 4" | 17' 0" | 14' 3" |
| | | 24 | 26' 10" | 21' 4" | 18' 8" | 18' 8" | 16' 3" | 13' 9" | 17' 0" | 14' 9" | 12' 6" |
| 362S250-97 | 50 | 12 | 37' 7" | 29' 9" | 26' 1" | 26' 1" | 22' 9" | 19' 2" | 23' 8" | 20' 8" | 17' 6" |
| | | 16 | 34' 2" | 27' 1" | 23' 8" | 23' 8" | 20' 8" | 17' 6" | 21' 6" | 18' 9" | 15' 10" |
| | | 24 | 29' 9" | 23' 8" | 20' 8" | 20' 8" | 18' 1" | 15' 2" | 18' 9" | 16' 4" | 13' 10" |
| 362S250-118 | 50 | 12 | 39' 8" | 31' 6" | 27' 6" | 27' 6" | 24' 1" | 20' 3" | 25' 0" | 21' 10" | 18' 4" |
| | | 16 | 36' 1" | 28' 7" | 25' 0" | 25' 0" | 21' 10" | 18' 4" | 22' 8" | 19' 10" | 16' 8" |
| | | 24 | 31' 6" | 25' 0" | 21' 10" | 21' 10" | 19' 1" | 16' 1" | 19' 10" | 17' 3" | 14' 7" |

Notes:

- 5 psf, 7.5 psf and 10 psf loads have not been reduced for strength or deflection checks. Full lateral load is applied.
- Heights are based on continuous support of each flange over the full length of the stud.
- Web crippling checks are based on end-one flange loading condition using 1-inch end bearing.

- "e" web stiffeners required both ends.
- Allowable Flexural Strength is based on lateral and torsional bracing at a max 48" o.c.
- Limiting heights are based on steel properties only (non-composite)

INTERIOR LIMITING HEIGHTS

| MEMBER | F _y (ksi) | SPACING (in.) o.c. | 5 psf | | | 7.5 psf | | | 10 psf | | |
|-------------|-------------------------|-----------------------|---------|---------|---------|---------|---------|---------|---------|---------|---------|
| | | | L/120 | L/240 | L/360 | L/120 | L/240 | L/360 | L/240 | L/360 | L/600 |
| 400S137-33 | 33 | 12 | 25' 1" | 19' 10" | 17' 4" | 17' 4" | 15' 2" | 12' 9" | 15' 9" | 13' 9" | 11' 7" |
| | | 16 | 22' 3" | 18' 1" | 15' 9" | 15' 9" | 13' 9" | 11' 7" | 14' 4" | 12' 6" | 10' 7" |
| | | 24 | 18' 2" | 15' 9" | 13' 9" | 13' 9" | 12' 1" | 10' 2" | 12' 6" | 11' 0" | 9' 2" |
| 400S137-43 | 33 | 12 | 27' 3" | 21' 8" | 18' 10" | 18' 10" | 16' 6" | 13' 10" | 17' 2" | 15' 0" | 12' 8" |
| | | 16 | 24' 9" | 19' 8" | 17' 2" | 17' 2" | 15' 0" | 12' 8" | 15' 7" | 13' 8" | 11' 6" |
| | | 24 | 21' 7" | 17' 2" | 15' 0" | 15' 0" | 13' 1" | 11' 1" | 13' 8" | 11' 10" | 10' 1" |
| 400-137-43 | 50 | 12 | 27' 3" | 21' 8" | 18' 10" | 18' 10" | 16' 6" | 13' 10" | 17' 2" | 15' 0" | 12' 8" |
| | | 16 | 24' 9" | 19' 8" | 17' 2" | 17' 2" | 15' 0" | 12' 8" | 15' 7" | 13' 8" | 11' 6" |
| | | 24 | 21' 8" | 17' 2" | 15' 0" | 15' 0" | 13' 1" | 11' 1" | 13' 8" | 11' 10" | 10' 1" |
| 400S137-54 | 50 | 12 | 29' 2" | 23' 2" | 20' 3" | 20' 3" | 17' 8" | 14' 10" | 18' 4" | 16' 1" | 13' 7" |
| | | 16 | 26' 7" | 21' 1" | 18' 4" | 18' 4" | 16' 1" | 13' 7" | 16' 8" | 14' 7" | 12' 3" |
| | | 24 | 23' 2" | 18' 4" | 16' 1" | 16' 1" | 14' 1" | 11' 10" | 14' 7" | 12' 9" | 10' 9" |
| 400S137-68 | 50 | 12 | 31' 3" | 24' 9" | 21' 8" | 21' 8" | 18' 10" | 16' 0" | 19' 8" | 17' 2" | 14' 6" |
| | | 16 | 28' 4" | 22' 6" | 19' 8" | 19' 8" | 17' 2" | 14' 6" | 17' 10" | 15' 7" | 13' 2" |
| | | 24 | 24' 9" | 19' 8" | 17' 2" | 17' 2" | 15' 0" | 12' 8" | 15' 7" | 13' 8" | 11' 6" |
| 400S162-33 | 33 | 12 | 26' 3" | 20' 10" | 18' 2" | 18' 2" | 15' 10" | 13' 4" | 16' 7" | 14' 6" | 12' 2" |
| | | 16 | 23' 10" | 19' 0" | 16' 7" | 16' 7" | 14' 6" | 12' 2" | 15' 0" | 13' 1" | 11' 1" |
| | | 24 | 19' 8" | 16' 7" | 14' 6" | 14' 6" | 12' 7" | 10' 8" | 13' 1" | 11' 6" | 9' 8" |
| 400S162-43 | 33 | 12 | 28' 7" | 22' 8" | 19' 9" | 19' 9" | 17' 3" | 14' 7" | 18' 0" | 15' 8" | 13' 3" |
| | | 16 | 26' 0" | 20' 7" | 18' 0" | 18' 0" | 15' 8" | 13' 3" | 16' 4" | 14' 3" | 12' 1" |
| | | 24 | 22' 8" | 18' 0" | 15' 8" | 15' 8" | 13' 8" | 11' 7" | 14' 3" | 12' 6" | 10' 6" |
| 400S162-43 | 50 | 12 | 28' 7" | 22' 8" | 19' 9" | 19' 9" | 17' 3" | 14' 7" | 18' 0" | 15' 8" | 13' 3" |
| | | 16 | 26' 0" | 20' 7" | 18' 0" | 18' 0" | 15' 8" | 13' 3" | 16' 4" | 14' 3" | 12' 1" |
| | | 24 | 22' 8" | 18' 0" | 15' 8" | 15' 8" | 13' 8" | 11' 7" | 14' 3" | 12' 6" | 10' 6" |
| 400S162-54 | 50 | 12 | 30' 7" | 24' 3" | 21' 2" | 21' 2" | 18' 7" | 15' 8" | 19' 3" | 16' 10" | 14' 2" |
| | | 16 | 27' 9" | 22' 1" | 19' 3" | 19' 3" | 16' 10" | 14' 2" | 17' 6" | 15' 3" | 12' 10" |
| | | 24 | 24' 3" | 19' 3" | 16' 10" | 16' 10" | 14' 8" | 12' 4" | 15' 3" | 13' 4" | 11' 3" |
| 400S162-68 | 50 | 12 | 32' 9" | 26' 0" | 22' 8" | 22' 8" | 19' 10" | 16' 9" | 20' 8" | 18' 1" | 15' 2" |
| | | 16 | 29' 9" | 23' 8" | 20' 8" | 20' 8" | 18' 1" | 15' 2" | 18' 9" | 16' 4" | 13' 9" |
| | | 24 | 26' 0" | 20' 8" | 18' 1" | 18' 1" | 15' 9" | 13' 3" | 16' 4" | 14' 3" | 12' 9" |
| 400S162-97 | 50 | 12 | 36' 2" | 28' 9" | 25' 1" | 25' 1" | 21' 10" | 18' 6" | 22' 9" | 19' 10" | 16' 9" |
| | | 16 | 32' 10" | 26' 1" | 22' 9" | 22' 9" | 19' 10" | 16' 9" | 20' 8" | 18' 1" | 15' 3" |
| | | 24 | 28' 9" | 22' 9" | 19' 10" | 19' 10" | 17' 4" | 14' 8" | 18' 1" | 15' 9" | 13' 3" |
| 400S162-118 | 50 | 12 | 38' 2" | 30' 3" | 26' 6" | 26' 6" | 23' 1" | 19' 6" | 24' 0" | 21' 0" | 17' 8" |
| | | 16 | 34' 8" | 27' 6" | 24' 0" | 24' 0" | 21' 0" | 17' 8" | 21' 9" | 19' 1" | 16' 1" |
| | | 24 | 30' 3" | 24' 0" | 21' 0" | 21' 0" | 18' 3" | 15' 6" | 19' 1" | 16' 8" | 14' 1" |
| 400S200-33 | 33 | 12 | 27' 8" | 22' 0" | 19' 2" | 19' 2" | 16' 9" | 14' 1" | 17' 4" | 15' 2" | 12' 10" |
| | | 16 | 25' 2" | 20' 0" | 17' 4" | 17' 4" | 15' 2" | 12' 10" | 15' 10" | 13' 9" | 11' 8" |
| | | 24 | 20' 9" | 17' 4" | 15' 2" | 15' 2" | 13' 3" | 11' 2" | 13' 9" | 12' 1" | 10' 2" |
| 400S200-43 | 33 | 12 | 30' 2" | 23' 10" | 20' 10" | 20' 10" | 18' 3" | 15' 4" | 19' 0" | 16' 7" | 14' 0" |
| | | 16 | 27' 4" | 21' 9" | 19' 0" | 19' 0" | 16' 7" | 14' 0" | 17' 3" | 15' 1" | 12' 8" |
| | | 24 | 23' 10" | 19' 0" | 16' 7" | 16' 7" | 14' 6" | 12' 2" | 15' 1" | 13' 2" | 11' 1" |
| 400S200-43 | 50 | 12 | 30' 2" | 23' 10" | 20' 10" | 20' 10" | 18' 3" | 15' 4" | 19' 0" | 16' 7" | 14' 0" |
| | | 16 | 27' 4" | 21' 9" | 19' 0" | 19' 0" | 16' 7" | 14' 0" | 17' 3" | 15' 1" | 12' 8" |
| | | 24 | 23' 10" | 19' 0" | 16' 7" | 16' 7" | 14' 6" | 12' 2" | 15' 1" | 13' 2" | 11' 1" |
| 400S200-54 | 50 | 12 | 32' 4" | 25' 8" | 22' 4" | 22' 4" | 19' 7" | 16' 6" | 20' 4" | 17' 9" | 15' 0" |
| | | 16 | 29' 4" | 23' 3" | 20' 4" | 20' 4" | 17' 9" | 15' 0" | 18' 6" | 16' 2" | 13' 7" |
| | | 24 | 25' 8" | 20' 4" | 17' 9" | 17' 9" | 15' 7" | 13' 1" | 16' 2" | 14' 1" | 11' 10" |
| 400S200-68 | 50 | 12 | 34' 8" | 27' 6" | 24' 0" | 24' 0" | 21' 0" | 17' 8" | 21' 9" | 19' 1" | 16' 1" |
| | | 16 | 31' 6" | 25' 0" | 21' 9" | 21' 9" | 19' 1" | 16' 1" | 19' 9" | 17' 3" | 14' 7" |
| | | 24 | 27' 6" | 21' 9" | 19' 1" | 19' 1" | 16' 8" | 14' 1" | 17' 3" | 15' 1" | 12' 9" |
| 400S200-97 | 50 | 12 | 38' 4" | 30' 6" | 26' 7" | 26' 7" | 23' 2" | 19' 7" | 24' 2" | 21' 1" | 17' 9" |
| | | 16 | 34' 10" | 27' 8" | 24' 2" | 24' 2" | 21' 1" | 17' 9" | 22' 0" | 19' 2" | 16' 2" |
| | | 24 | 30' 6" | 24' 2" | 21' 1" | 21' 1" | 18' 4" | 15' 7" | 19' 2" | 16' 9" | 14' 1" |
| 400S200-118 | 50 | 12 | 40' 6" | 32' 1" | 28' 1" | 28' 1" | 24' 6" | 20' 8" | 25' 6" | 22' 3" | 18' 9" |
| | | 16 | 36' 9" | 29' 2" | 25' 6" | 25' 6" | 22' 3" | 18' 9" | 23' 2" | 20' 2" | 17' 1" |
| | | 24 | 32' 1" | 25' 6" | 22' 3" | 22' 3" | 19' 6" | 16' 4" | 20' 2" | 17' 8" | 14' 10" |
| 400S250-33 | 33 | 12 | 28' 9" | 22' 10" | 20' 0" | 20' 0" | 17' 4" | 14' 8" | 18' 1" | 15' 10" | 13' 4" |
| | | 16 | 26' 2" | 20' 9" | 18' 1" | 18' 1" | 15' 10" | 13' 4" | 16' 6" | 14' 4" | 12' 1" |
| | | 24 | 21' 6" | 18' 1" | 15' 10" | 15' 10" | 13' 9" | 11' 8" | 14' 4" | 12' 7" | 10' 7" |
| 400S250-43 | 33 | 12 | 31' 9" | 25' 2" | 22' 0" | 22' 0" | 19' 2" | 16' 2" | 20' 0" | 17' 6" | 14' 9" |
| | | 16 | 28' 10" | 22' 10" | 20' 0" | 20' 0" | 17' 6" | 14' 9" | 18' 2" | 15' 10" | 13' 4" |
| | | 24 | 25' 2" | 20' 0" | 17' 6" | 17' 6" | 15' 3" | 12' 10" | 15' 10" | 13' 10" | 11' 8" |
| 400S250-43 | 50 | 12 | 31' 4" | 24' 10" | 21' 9" | 21' 9" | 19' 0" | 16' 0" | 19' 9" | 17' 3" | 14' 7" |
| | | 16 | 28' 6" | 22' 7" | 19' 9" | 19' 9" | 17' 3" | 14' 7" | 18' 0" | 15' 8" | 13' 2" |
| | | 24 | 24' 10" | 19' 9" | 17' 3" | 17' 3" | 15' 1" | 12' 8" | 15' 8" | 13' 8" | 11' 7" |
| 400S250-54 | 50 | 12 | 34' 0" | 27' 0" | 23' 7" | 23' 7" | 20' 7" | 17' 4" | 21' 4" | 18' 8" | 15' 9" |
| | | 16 | 30' 10" | 24' 6" | 21' 4" | 21' 4" | 18' 8" | 15' 9" | 19' 4" | 17' 0" | 14' 3" |
| | | 24 | 27' 0" | 21' 4" | 18' 8" | 18' 8" | 16' 3" | 13' 9" | 17' 0" | 14' 9" | 12' 6" |
| 400S250-68 | 50 | 12 | 36' 7" | 29' 0" | 25' 4" | 25' 4" | 22' 1" | 18' 8" | 23' 0" | 20' 1" | 17' 0" |
| | | 16 | 33' 2" | 26' 4" | 23' 0" | 23' 0" | 20' 1" | 17' 0" | 20' 10" | 18' 3" | 15' 4" |
| | | 24 | 29' 0" | 23' 0" | 20' 1" | 20' 1" | 17' 7" | 14' 9" | 18' 3" | 16' 0" | 13' 6" |
| 400S250-97 | 50 | 12 | 40' 6" | 32' 2" | 28' 1" | 28' 1" | 24' 7" | 20' 8" | 25' 6" | 22' 3" | 18' 9" |
| | | 16 | 36' 9" | 29' 2" | 25' 6" | 25' 6" | 22' 3" | 18' 9" | 23' 2" | 20' 3" | 17' 1" |
| | | 24 | 32' 2" | 25' 6" | 22' 3" | 22' 3" | 19' 6" | 16' 4" | 20' 3" | 17' 8" | 14' 10" |
| 400S250-118 | 50 | 12 | 42' 9" | 34' 0" | 29' 8" | 29' 8" | 25' 10" | 21' 10" | 27' 0" | 23' 7" | 19' 10" |
| | | 16 | 38' 10" | 30' 10" | 27' 0" | 27' 0" | 23' 7" | 20' 7" | 24' 6" | 21' 4" | 18' 1" |
| | | 24 | 34' 0" | 27' 0" | 23' 7" | 23' 7" | 20' 7" | 17' 4" | 21' 4" | 18' 8" | 15' 9" |

Notes:

- 5 psf, 7.5 psf and 10 psf loads have not been reduced for strength or deflection checks. Full lateral load is applied.
- Heights are based on continuous support of each flange over the full length of the stud.
- Web crippling checks are based on end-one flange loading condition using 1-inch end bearing.

- "e" web stiffeners required both ends.
- Allowable Flexural Strength is based on lateral and torsional bracing at a max 48" o.c.
- Limiting heights are based on steel properties only (non-composite)

INTERIOR LIMITING HEIGHTS

| MEMBER | F _y (ksi) | SPACING (in.) o.c. | 5 psf | | | 7.5 psf | | | 10 psf | | |
|-------------|-------------------------|-----------------------|---------|---------|---------|---------|---------|---------|---------|---------|---------|
| | | | L/120 | L/240 | L/360 | L/120 | L/240 | L/360 | L/240 | L/360 | L/600 |
| 600S137-33 | 33 | 12 | 32' 2" | 27' 3" | 23' 9" | 23' 9" | 20' 9" | 17' 7" | 21' 8" | 18' 10" | 16' 0" |
| | | 16 | 27' 10" | 24' 9" | 21' 8" | 21' 8" | 18' 10" | 16' 0" | 19' 8" | 17' 2" | 14' 6" |
| | | 24 | 22' 9" | 21' 8" | 18' 10" | 18' 7" | 16' 6" | 13' 10" | 16' 1'e | 15' 0" | 12' 8" |
| 600S137-43 | 33 | 12 | 37' 8" | 29' 10" | 26' 1" | 26' 1" | 22' 9" | 19' 3" | 23' 8" | 20' 8" | 17' 6" |
| | | 16 | 33' 4" | 27' 2" | 23' 8" | 23' 8" | 20' 8" | 17' 6" | 21' 7" | 18' 9" | 15' 10" |
| | | 24 | 27' 3" | 23' 8" | 20' 8" | 20' 8" | 18' 1" | 15' 3" | 18' 9" | 16' 6" | 13' 10" |
| 600S137-43 | 50 | 12 | 37' 6" | 29' 9" | 26' 0" | 26' 0" | 22' 8" | 19' 2" | 23' 7" | 20' 7" | 17' 4" |
| | | 16 | 34' 1" | 27' 0" | 23' 7" | 23' 7" | 20' 7" | 17' 4" | 21' 6" | 18' 9" | 15' 9" |
| | | 24 | 29' 9" | 23' 7" | 20' 7" | 20' 7" | 18' 0" | 15' 2" | 18' 9" | 16' 4" | 13' 9" |
| 600S137-54 | 50 | 12 | 40' 4" | 32' 1" | 28' 0" | 28' 0" | 24' 6" | 20' 7" | 25' 6" | 22' 2" | 18' 9" |
| | | 16 | 36' 8" | 29' 1" | 25' 6" | 25' 6" | 22' 2" | 18' 9" | 23' 1" | 20' 2" | 17' 0" |
| | | 24 | 32' 1" | 25' 6" | 22' 2" | 22' 2" | 19' 4" | 16' 4" | 20' 2" | 17' 8" | 14' 10" |
| 600S137-68 | 50 | 12 | 43' 3" | 34' 4" | 30' 0" | 30' 0" | 26' 2" | 22' 1" | 27' 3" | 23' 9" | 20' 1" |
| | | 16 | 39' 3" | 31' 2" | 27' 3" | 27' 3" | 23' 9" | 20' 1" | 24' 9" | 21' 7" | 18' 3" |
| | | 24 | 34' 4" | 27' 3" | 23' 9" | 23' 9" | 20' 9" | 17' 7" | 21' 7" | 18' 10" | 15' 10" |
| 600S137-97 | 50 | 12 | 47' 10" | 38' 0" | 33' 2" | 33' 2" | 29' 0" | 24' 6" | 30' 2" | 26' 4" | 22' 2" |
| | | 16 | 43' 6" | 34' 6" | 30' 2" | 30' 2" | 26' 4" | 22' 2" | 27' 4" | 23' 10" | 20' 2" |
| | | 24 | 38' 0" | 30' 2" | 26' 4" | 26' 4" | 23' 0" | 19' 4" | 23' 10" | 20' 10" | 17' 7" |
| 600S162-33 | 33 | 12 | 34' 9" | 28' 7" | 25' 0" | 25' 0" | 21' 10" | 18' 4" | 22' 8" | 19' 10" | 16' 9" |
| | | 16 | 30' 1" | 26' 0" | 22' 8" | 22' 8" | 19' 10" | 16' 9" | 20' 8" | 18' 0" | 15' 2" |
| | | 24 | 24' 7" | 22' 8" | 19' 10" | 19' 10" | 17' 4" | 14' 7" | 17' 4'e | 15' 9'e | 13' 3" |
| 600S162-43 | 33 | 12 | 39' 3" | 31' 2" | 27' 3" | 27' 3" | 23' 9" | 20' 1" | 24' 9" | 21' 7" | 18' 2" |
| | | 16 | 35' 8" | 28' 3" | 24' 9" | 24' 9" | 21' 7" | 18' 2" | 22' 6" | 19' 8" | 16' 7" |
| | | 24 | 29' 4" | 24' 9" | 21' 7" | 21' 7" | 18' 10" | 15' 10" | 19' 8" | 17' 2" | 14' 6" |
| 600S162-43 | 50 | 12 | 39' 3" | 31' 2" | 27' 3" | 27' 3" | 23' 9" | 20' 1" | 24' 9" | 21' 7" | 18' 2" |
| | | 16 | 35' 8" | 28' 3" | 24' 9" | 24' 9" | 21' 7" | 18' 2" | 22' 6" | 19' 8" | 16' 7" |
| | | 24 | 31' 2" | 24' 9" | 21' 7" | 21' 7" | 18' 10" | 15' 10" | 19' 8" | 17' 2" | 14' 6" |
| 600S162-54 | 50 | 12 | 42' 2" | 33' 6" | 29' 2" | 29' 2" | 25' 6" | 21' 6" | 26' 7" | 23' 2" | 19' 7" |
| | | 16 | 38' 3" | 30' 4" | 26' 7" | 26' 7" | 23' 2" | 19' 7" | 24' 1" | 21' 1" | 17' 9" |
| | | 24 | 33' 6" | 26' 7" | 23' 2" | 23' 2" | 20' 3" | 17' 1" | 21' 1" | 18' 4" | 15' 6" |
| 600S162-68 | 50 | 12 | 45' 2" | 35' 10" | 31' 3" | 31' 3" | 27' 4" | 23' 1" | 28' 6" | 24' 10" | 21' 0" |
| | | 16 | 41' 1" | 32' 7" | 28' 6" | 28' 6" | 24' 10" | 21' 0" | 25' 10" | 22' 7" | 19' 1" |
| | | 24 | 35' 10" | 28' 6" | 24' 10" | 24' 10" | 21' 8" | 18' 3" | 22' 7" | 19' 8" | 16' 8" |
| 600S162-97 | 50 | 12 | 50' 1" | 39' 9" | 34' 8" | 34' 8" | 30' 3" | 25' 7" | 31' 7" | 27' 7" | 23' 3" |
| | | 16 | 45' 6" | 36' 1" | 31' 7" | 31' 7" | 27' 7" | 23' 3" | 28' 8" | 25' 1" | 21' 1" |
| | | 24 | 39' 9" | 31' 7" | 27' 7" | 27' 7" | 24' 1" | 20' 3" | 25' 1" | 21' 10" | 18' 6" |
| 600S162-118 | 50 | 12 | 52' 10" | 42' 0" | 36' 8" | 36' 8" | 32' 1" | 27' 0" | 33' 3" | 29' 1" | 24' 7" |
| | | 16 | 48' 1" | 38' 2" | 33' 3" | 33' 3" | 29' 1" | 24' 7" | 30' 3" | 26' 6" | 22' 3" |
| | | 24 | 42' 0" | 33' 3" | 29' 1" | 29' 1" | 25' 4" | 21' 6" | 26' 6" | 23' 1" | 19' 6" |
| 600S200-33 | 33 | 12 | 37' 3" | 30' 1" | 26' 3" | 26' 3" | 22' 10" | 19' 3" | 23' 10" | 20' 9" | 17' 7" |
| | | 16 | 32' 3" | 27' 3" | 23' 10" | 23' 10" | 20' 9" | 17' 7" | 21' 8" | 18' 10" | 16' 0" |
| | | 24 | 26' 4" | 23' 10" | 20' 9" | 20' 9" | 18' 2" | 15' 4" | 18' 7'e | 16' 6'e | 13' 10" |
| 600S200-43 | 33 | 12 | 41' 3" | 32' 9" | 28' 7" | 28' 7" | 25' 0" | 21' 1" | 26' 0" | 22' 8" | 19' 2" |
| | | 16 | 37' 6" | 29' 9" | 26' 0" | 26' 0" | 22' 8" | 19' 2" | 23' 7" | 20' 7" | 17' 4" |
| | | 24 | 31' 6" | 26' 0" | 22' 8" | 22' 8" | 19' 9" | 16' 8" | 20' 7" | 18' 0" | 15' 2" |
| 600S200-43 | 50 | 12 | 41' 3" | 32' 9" | 28' 7" | 28' 7" | 25' 0" | 21' 1" | 26' 0" | 22' 8" | 19' 2" |
| | | 16 | 37' 6" | 29' 9" | 26' 0" | 26' 0" | 22' 8" | 19' 2" | 23' 7" | 20' 7" | 17' 4" |
| | | 24 | 32' 9" | 26' 0" | 22' 8" | 22' 8" | 19' 9" | 16' 8" | 20' 7" | 18' 0" | 15' 2" |
| 600S200-54 | 50 | 12 | 44' 3" | 35' 2" | 30' 8" | 30' 8" | 26' 9" | 22' 7" | 27' 10" | 24' 4" | 20' 7" |
| | | 16 | 40' 3" | 32' 0" | 27' 10" | 27' 10" | 24' 4" | 20' 7" | 25' 4" | 22' 2" | 18' 8" |
| | | 24 | 35' 2" | 27' 10" | 24' 4" | 24' 4" | 21' 3" | 18' 0" | 22' 2" | 19' 4" | 16' 3" |
| 600S200-68 | 50 | 12 | 47' 7" | 37' 8" | 33' 0" | 33' 0" | 28' 9" | 24' 3" | 30' 0" | 26' 2" | 22' 1" |
| | | 16 | 43' 2" | 34' 3" | 30' 0" | 30' 0" | 26' 2" | 22' 1" | 27' 2" | 23' 9" | 20' 1" |
| | | 24 | 37' 8" | 30' 0" | 26' 2" | 26' 2" | 22' 10" | 19' 3" | 23' 9" | 20' 9" | 17' 6" |
| 600S200-97 | 50 | 12 | 52' 9" | 41' 10" | 36' 7" | 36' 7" | 32' 0" | 27' 0" | 33' 3" | 29' 1" | 24' 6" |
| | | 16 | 48' 0" | 38' 1" | 33' 3" | 33' 3" | 29' 1" | 24' 6" | 30' 2" | 26' 4" | 22' 3" |
| | | 24 | 41' 10" | 33' 3" | 29' 1" | 29' 1" | 25' 4" | 21' 4" | 26' 4" | 23' 1" | 19' 4" |
| 600S200-118 | 50 | 12 | 55' 9" | 44' 3" | 38' 8" | 38' 8" | 33' 9" | 28' 6" | 35' 2" | 30' 8" | 25' 10" |
| | | 16 | 50' 8" | 40' 3" | 35' 2" | 35' 2" | 30' 8" | 25' 10" | 32' 0" | 27' 10" | 23' 7" |
| | | 24 | 44' 3" | 35' 2" | 30' 8" | 30' 8" | 26' 9" | 22' 7" | 27' 10" | 24' 4" | 20' 7" |
| 600S250-43 | 33 | 12 | 43' 2" | 34' 3" | 30' 0" | 30' 0" | 26' 9" | 22' 1" | 27' 2" | 23' 9" | 20' 1" |
| | | 16 | 39' 3" | 31' 2" | 27' 2" | 27' 2" | 23' 9" | 20' 1" | 24' 8" | 21' 7" | 18' 2" |
| | | 24 | 32' 3" | 27' 2" | 23' 9" | 23' 9" | 20' 9" | 17' 6" | 21' 7" | 18' 10" | 15' 10" |
| 600S250-43 | 50 | 12 | 42' 9" | 33' 10" | 29' 7" | 29' 7" | 25' 10" | 21' 9" | 26' 10" | 23' 6" | 19' 9" |
| | | 16 | 38' 9" | 30' 9" | 26' 10" | 26' 10" | 23' 6" | 19' 9" | 24' 6" | 21' 4" | 18' 0" |
| | | 24 | 33' 10" | 26' 10" | 23' 6" | 23' 6" | 20' 7" | 17' 3" | 21' 4" | 18' 8" | 15' 9" |
| 600S250-54 | 50 | 12 | 46' 3" | 36' 8" | 32' 1" | 32' 1" | 28' 0" | 23' 7" | 29' 1" | 25' 6" | 21' 6" |
| | | 16 | 42' 0" | 33' 4" | 29' 1" | 29' 1" | 25' 6" | 21' 6" | 26' 6" | 23' 1" | 19' 6" |
| | | 24 | 36' 8" | 29' 1" | 25' 6" | 25' 6" | 22' 2" | 18' 9" | 23' 1" | 20' 2" | 17' 0" |
| 600S250-68 | 50 | 12 | 49' 10" | 39' 7" | 34' 7" | 34' 7" | 30' 2" | 25' 6" | 31' 4" | 27' 4" | 23' 1" |
| | | 16 | 45' 3" | 36' 0" | 31' 4" | 31' 4" | 27' 4" | 23' 1" | 28' 6" | 24' 10" | 21' 0" |
| | | 24 | 39' 7" | 31' 4" | 27' 4" | 27' 4" | 24' 0" | 20' 2" | 24' 10" | 21' 9" | 18' 4" |
| 600S250-97 | 50 | 12 | 55' 4" | 44' 0" | 38' 4" | 38' 4" | 33' 7" | 28' 3" | 34' 10" | 30' 6" | 25' 8" |
| | | 16 | 50' 4" | 40' 0" | 34' 10" | 34' 10" | 30' 6" | 25' 8" | 31' 8" | 27' 8" | 23' 4" |
| | | 24 | 44' 0" | 34' 10" | 30' 6" | 30' 6" | 26' 8" | 22' 6" | 27' 8" | 24' 2" | 20' 4" |
| 600S250-118 | 50 | 12 | 58' 8" | 46' 7" | 40' 8" | 40' 8" | 35' 7" | 30' 0" | 37' 0" | 32' 3" | 27' 2" |
| | | 16 | 53' 3" | 42' 3" | 37' 0" | 37' 0" | 32' 3" | 27' 2" | 33' 7" | 29' 3" | 24' 9" |
| | | 24 | 46' 7" | 37' 0" | 32' 3" | 32' 3" | 28' 2" | 23' 9" | 29' 3" | 25' 7" | 21' 7" |
| 600S300-54 | 50 | 12 | 47' 3" | 37' 6" | 32' 9" | 32' 9" | 28' 7" | 24' 2" | 29' 9" | 26' 0" | 22' 0" |
| | | 16 | 43' 0" | 34' 1" | 29' 9" | 29' 9" | 26' 0" | 22' 0" | 27' 1" | 23' 7" | 19' 10" |
| | | 24 | 37' 6" | 29' 9" | 26' 0" | 26' 0" | 22' 8" | 19' 2" | 23' 7" | 20' 8" | 17' 4" |
| 600S300-68 | 50 | 12 | 51' 7" | 40' 10" | 35' 8" | 35' 8" | 31' 2" | 26' 3" | 32' 6" | 28' 4" | 23' 10" |
| | | 16 | 46' 9" | 37' 2" | 32' 6" | 32' 6" | 28' 4" | 23' 10" | 29' 6" | 25' 9" | 21' 8" |
| | | 24 | 40' 10" | 32' 6" | 28' 4" | 28' 4" | 24' 9" | 20' 10" | 25' 9" | 22' 6" | 19' 0" |
| 600S300-97 | 50 | 12 | 57' 9" | 45' 9" | 40' 0" | 40' 0" | 35' 0" | 29' 6" | 36' 4" | 31' 9" | 26' 9" |
| | | 16 | 52' 6" | 41' 7" | 36' 4" | 36' 4" | 31' 9" | 26' 9" | 33' 1" | 28' 10" | 24' 4" |
| | | 24 | 45' 9" | 36' 4" | 31' 9" | 31' 9" | 27' 9" | 23' 4" | 28' 10" | 25' 2" | 21' 3" |
| 600S300-118 | 50 | 12 | 61' 3" | 48' 8" | 42' 6" | 42' 6" | 37' 1" | 31' 3" | 38' 7" | 33' 8" | 28' 6" |
| | | 16 | 55' 8" | 44' 2" | 38' 7" | 38' 7" | 33' 8" | 28' 6" | 35' 1" | 30' 8" | 25' 10" |
| | | 24 | 48' 8" | 38' 7" | 33' 8" | 33' 8" | 29' 6" | 24' 10" | 30' 8" | 26' 9" | 22' 7" |

Notes:

- 5 psf, 7.5 psf and 10 psf loads have not been reduced for strength or deflection checks. Full lateral load is applied.
- Heights are based on continuous support of each flange over the full length of the stud.
- Web crippling checks are based on end-one flange loading condition using 1-inch end bearing.

- "e" web stiffeners required both ends.
- Allowable Flexural Strength is based on lateral and torsional bracing at a max 48" o.c.
- Limiting heights are based on steel properties only (non-composite)

INTERIOR LIMITING HEIGHTS

| MEMBER | F _y (ksi) | SPACING (in.) o.c. | 5 psf | | | 7.5 psf | | | 10 psf | | |
|-------------|-------------------------|-----------------------|----------|----------|----------|----------|---------|----------|----------|---------|----------|
| | | | L/120 | L/240 | L/360 | L/120 | L/240 | L/360 | L/240 | L/360 | L/600 |
| 800S137-33 | 33 | 12 | 36' 10"e | 34' 0"e | 29' 8"e | 29' 8"e | 26' 0"e | 21' 10"e | 26' 1"e | 23' 7"e | 19' 10"e |
| | | 16 | 32' 0"e | 30' 10"e | 27' 0"e | 26' 1"e | 23' 7"e | 19' 10"e | 22' 7"e | 21' 4"e | 18' 1"e |
| | | 24 | 26' 1"e | 26' 1"e | 23' 7"e | 21' 3"e | 20' 7"e | 17' 4"e | 18' 6"e | 18' 6"e | 15' 9"e |
| 800S137-43 | 33 | 12 | 44' 8" | 37' 6" | 32' 8" | 32' 8" | 28' 7" | 24' 1" | 29' 8" | 26' 0" | 21' 10" |
| | | 16 | 38' 8" | 34' 1" | 29' 8" | 29' 8" | 26' 0" | 21' 10" | 27' 0" | 23' 7" | 19' 10" |
| | | 24 | 31' 7" | 29' 8" | 26' 0" | 25' 9" | 22' 8" | 19' 1" | 22' 4" | 20' 7" | 17' 4" |
| 800S137-43 | 50 | 12 | 46' 9" | 37' 1" | 32' 6" | 32' 6" | 28' 4" | 23' 10" | 29' 6" | 25' 9" | 21' 8" |
| | | 16 | 42' 6" | 33' 9" | 29' 6" | 29' 6" | 25' 9" | 21' 8" | 26' 9" | 23' 4" | 19' 8" |
| | | 24 | 35' 10" | 29' 6" | 25' 9" | 25' 9" | 22' 6" | 19' 0" | 23' 4" | 20' 4" | 17' 2" |
| 800S137-54 | 50 | 12 | 50' 8" | 40' 3" | 35' 2" | 35' 2" | 30' 8" | 25' 10" | 32' 0" | 27' 10" | 23' 7" |
| | | 16 | 46' 1" | 36' 7" | 32' 0" | 32' 0" | 27' 10" | 23' 7" | 29' 0" | 25' 4" | 21' 4" |
| | | 24 | 40' 3" | 32' 0" | 27' 10" | 27' 10" | 24' 4" | 20' 7" | 25' 4" | 22' 2" | 18' 8" |
| 800S137-68 | 50 | 12 | 54' 10" | 43' 7" | 38' 0" | 38' 0" | 33' 2" | 28' 0" | 34' 7" | 30' 2" | 25' 6" |
| | | 16 | 49' 10" | 39' 7" | 34' 7" | 34' 7" | 30' 2" | 25' 6" | 31' 4" | 27' 4" | 23' 1" |
| | | 24 | 43' 7" | 34' 7" | 30' 2" | 30' 2" | 26' 4" | 22' 3" | 27' 4" | 24' 0" | 20' 2" |
| 800S137-97 | 50 | 12 | 60' 10" | 48' 3" | 42' 2" | 42' 2" | 36' 10" | 31' 1" | 38' 3" | 33' 6" | 28' 2" |
| | | 16 | 55' 3" | 43' 10" | 38' 3" | 38' 3" | 33' 6" | 28' 2" | 34' 9" | 30' 4" | 25' 8" |
| | | 24 | 48' 3" | 38' 3" | 33' 6" | 33' 6" | 29' 3" | 24' 8" | 30' 4" | 26' 7" | 22' 4" |
| 800S162-33 | 33 | 12 | 40' 3"e | 35' 4"e | 30' 10"e | 30' 10"e | 27' 0"e | 22' 9"e | 28' 1"e | 24' 7"e | 20' 8"e |
| | | 16 | 34' 10"e | 32' 2"e | 28' 1"e | 28' 1"e | 24' 7"e | 20' 8"e | 22' 3"e | 24' 8"e | 18' 9"e |
| | | 24 | 28' 6"e | 28' 1"e | 24' 7"e | 23' 3"e | 21' 6"e | 18' 1"e | 20' 1"e | 19' 6"e | 16' 4"e |
| 800S162-43 | 33 | 12 | 48' 6" | 39' 0" | 34' 1" | 34' 1" | 29' 8" | 25' 1" | 30' 10" | 27' 0" | 22' 9" |
| | | 16 | 42' 0" | 35' 4" | 30' 10" | 30' 10" | 27' 0" | 22' 9" | 28' 1" | 24' 7" | 20' 8" |
| | | 24 | 34' 3" | 30' 10" | 27' 0" | 27' 0" | 23' 7" | 19' 10" | 24' 2" | 21' 6" | 18' 1" |
| 800S162-43 | 50 | 12 | 48' 8" | 38' 8" | 33' 9" | 33' 9" | 29' 6" | 24' 10" | 30' 8" | 26' 9" | 22' 7" |
| | | 16 | 44' 3" | 35' 1" | 30' 8" | 30' 8" | 26' 9" | 22' 7" | 27' 10" | 24' 4" | 20' 7" |
| | | 24 | 38' 8" | 30' 8" | 26' 9" | 26' 9" | 23' 4" | 19' 9" | 24' 4" | 21' 3" | 18' 0" |
| 800S162-54 | 50 | 12 | 52' 9" | 41' 10" | 36' 7" | 36' 7" | 32' 0" | 27' 0" | 33' 3" | 29' 1" | 24' 6" |
| | | 16 | 48' 0" | 38' 1" | 33' 3" | 33' 3" | 29' 1" | 24' 6" | 30' 2" | 26' 4" | 22' 3" |
| | | 24 | 41' 10" | 33' 3" | 29' 1" | 29' 1" | 25' 4" | 21' 4" | 26' 4" | 23' 1" | 19' 4" |
| 800S162-68 | 50 | 12 | 57' 1" | 45' 3" | 39' 7" | 39' 7" | 34' 7" | 29' 2" | 36' 0" | 31' 4" | 26' 6" |
| | | 16 | 51' 10" | 41' 2" | 36' 0" | 36' 0" | 31' 4" | 26' 6" | 32' 8" | 28' 6" | 24' 1" |
| | | 24 | 45' 3" | 36' 0" | 31' 4" | 31' 4" | 27' 4" | 23' 1" | 28' 6" | 24' 10" | 21' 0" |
| 800S162-97 | 50 | 12 | 63' 4" | 50' 3" | 44' 0" | 44' 0" | 38' 4" | 32' 4" | 39' 10" | 34' 10" | 29' 4" |
| | | 16 | 57' 7" | 45' 8" | 39' 10" | 39' 10" | 34' 10" | 29' 4" | 36' 3" | 31' 8" | 26' 8" |
| | | 24 | 50' 3" | 39' 10" | 34' 10" | 34' 10" | 30' 6" | 25' 8" | 31' 8" | 27' 8" | 23' 4" |
| 800S162-118 | 50 | 12 | 67' 1" | 53' 2" | 46' 6" | 46' 6" | 40' 7" | 34' 3" | 42' 2" | 36' 10" | 31' 1" |
| | | 16 | 60' 10" | 48' 4" | 42' 2" | 42' 2" | 36' 10" | 31' 1" | 38' 4" | 33' 6" | 28' 3" |
| | | 24 | 53' 2" | 42' 2" | 36' 10" | 36' 10" | 32' 2" | 27' 2" | 33' 6" | 29' 3" | 24' 8" |
| 800S200-43 | 33 | 12 | 51' 9" | 41' 1" | 35' 10" | 35' 10" | 31' 4" | 26' 6" | 32' 7" | 28' 6" | 24' 0" |
| | | 16 | 45' 1" | 37' 4" | 32' 7" | 32' 7" | 28' 6" | 24' 0" | 29' 8" | 25' 10" | 21' 9" |
| | | 24 | 36' 9" | 32' 7" | 28' 6" | 28' 6" | 24' 10" | 21' 0" | 25' 10"e | 22' 7" | 19' 1" |
| 800S200-43 | 50 | 12 | 51' 9" | 41' 1" | 35' 10" | 35' 10" | 31' 4" | 26' 6" | 32' 7" | 28' 6" | 24' 0" |
| | | 16 | 47' 1" | 37' 4" | 32' 7" | 32' 7" | 28' 6" | 24' 0" | 29' 8" | 25' 10" | 21' 9" |
| | | 24 | 41' 1" | 32' 7" | 28' 6" | 28' 6" | 24' 10" | 21' 0" | 25' 10" | 22' 7" | 19' 1" |
| 800S200-54 | 50 | 12 | 55' 7" | 44' 2" | 38' 7" | 38' 7" | 33' 8" | 28' 4" | 35' 1" | 30' 7" | 25' 9" |
| | | 16 | 50' 7" | 40' 1" | 35' 1" | 35' 1" | 30' 7" | 25' 9" | 31' 10" | 27' 9" | 23' 6" |
| | | 24 | 44' 2" | 35' 1" | 30' 7" | 30' 7" | 26' 9" | 22' 7" | 27' 9" | 24' 3" | 20' 6" |
| 800S200-68 | 50 | 12 | 59' 9" | 47' 4" | 41' 4" | 41' 4" | 36' 2" | 30' 6" | 37' 7" | 32' 10" | 27' 8" |
| | | 16 | 54' 3" | 43' 1" | 37' 7" | 37' 7" | 32' 10" | 27' 8" | 34' 2" | 29' 10" | 25' 2" |
| | | 24 | 47' 4" | 37' 7" | 32' 10" | 32' 10" | 28' 8" | 24' 2" | 29' 10" | 26' 1" | 22' 0" |
| 800S200-97 | 50 | 12 | 66' 6" | 52' 9" | 46' 1" | 46' 1" | 40' 3" | 34' 0" | 41' 10" | 36' 7" | 30' 10" |
| | | 16 | 60' 4" | 47' 10" | 41' 10" | 41' 10" | 36' 7" | 30' 10" | 38' 0" | 33' 2" | 28' 0" |
| | | 24 | 52' 9" | 41' 10" | 36' 7" | 36' 7" | 32' 0" | 27' 0" | 33' 2" | 29' 0" | 24' 6" |
| 800S200-118 | 50 | 12 | 70' 4" | 55' 10" | 48' 9" | 48' 9" | 42' 8" | 36' 0" | 44' 4" | 38' 9" | 32' 8" |
| | | 16 | 64' 0" | 50' 9" | 44' 4" | 44' 4" | 38' 9" | 32' 8" | 40' 3" | 35' 2" | 29' 8" |
| | | 24 | 55' 10" | 44' 4" | 38' 9" | 38' 9" | 33' 10" | 28' 7" | 35' 2" | 30' 9" | 25' 10" |
| 800S250-43 | 33 | 12 | 53' 4" | 42' 10" | 37' 6" | 37' 6" | 32' 8" | 27' 7" | 34' 0" | 29' 8" | 25' 1" |
| | | 16 | 46' 2" | 39' 0" | 34' 0" | 34' 0" | 29' 8" | 25' 1" | 30' 10" | 27' 0" | 22' 9" |
| | | 24 | 37' 8" | 34' 0" | 29' 8" | 29' 8" | 26' 0" | 21' 10" | 26' 8"e | 23' 7" | 19' 10" |
| 800S250-43 | 50 | 12 | 53' 6" | 42' 4" | 37' 1" | 37' 1" | 32' 4" | 27' 3" | 33' 8" | 29' 4" | 24' 9" |
| | | 16 | 48' 7" | 38' 7" | 33' 8" | 33' 8" | 29' 4" | 24' 9" | 30' 7" | 26' 8" | 22' 6" |
| | | 24 | 42' 4" | 33' 8" | 29' 4" | 29' 4" | 25' 8" | 21' 8" | 26' 8" | 23' 4" | 19' 8" |
| 800S250-54 | 50 | 12 | 57' 9" | 45' 10" | 40' 1" | 40' 1" | 35' 0" | 29' 6" | 36' 4" | 31' 9" | 26' 9" |
| | | 16 | 52' 6" | 41' 8" | 36' 4" | 36' 4" | 31' 9" | 26' 9" | 33' 1" | 28' 10" | 24' 4" |
| | | 24 | 45' 10" | 36' 4" | 31' 9" | 31' 9" | 27' 9" | 23' 6" | 28' 10" | 25' 3" | 21' 3" |
| 800S250-68 | 50 | 12 | 62' 4" | 49' 6" | 43' 3" | 43' 3" | 37' 9" | 31' 10" | 39' 3" | 34' 3" | 29' 0" |
| | | 16 | 56' 8" | 45' 0" | 39' 3" | 39' 3" | 34' 3" | 29' 0" | 35' 8" | 31' 2" | 26' 3" |
| | | 24 | 49' 6" | 39' 3" | 34' 3" | 34' 3" | 30' 0" | 25' 3" | 31' 2" | 27' 3" | 23' 0" |
| 800S250-97 | 50 | 12 | 69' 6" | 55' 1" | 48' 2" | 48' 2" | 42' 1" | 35' 6" | 43' 9" | 38' 2" | 32' 2" |
| | | 16 | 63' 1" | 50' 1" | 43' 9" | 43' 9" | 38' 2" | 32' 2" | 39' 9" | 34' 8" | 29' 3" |
| | | 24 | 55' 1" | 43' 9" | 38' 2" | 38' 2" | 33' 4" | 28' 2" | 34' 8" | 30' 3" | 25' 7" |
| 800S250-118 | 50 | 12 | 73' 8" | 58' 6" | 51' 1" | 51' 1" | 44' 7" | 37' 7" | 46' 4" | 40' 6" | 34' 2" |
| | | 16 | 66' 10" | 53' 1" | 46' 4" | 46' 4" | 40' 6" | 34' 2" | 42' 2" | 36' 9" | 31' 1" |
| | | 24 | 58' 6" | 46' 4" | 40' 6" | 40' 6" | 35' 4" | 29' 10" | 36' 9" | 32' 2" | 27' 1" |
| 800S300-54 | 50 | 12 | 59' 0" | 46' 9" | 40' 10" | 40' 10" | 35' 8" | 30' 1" | 37' 2" | 32' 6" | 27' 4" |
| | | 16 | 53' 7" | 42' 7" | 37' 2" | 37' 2" | 32' 6" | 27' 4" | 33' 9" | 29' 6" | 24' 10" |
| | | 24 | 46' 9" | 37' 2" | 32' 6" | 32' 6" | 28' 4" | 23' 10" | 29' 6" | 25' 9" | 21' 8" |
| 800S300-68 | 50 | 12 | 64' 3" | 51' 0" | 44' 7" | 44' 7" | 38' 10" | 32' 9" | 40' 6" | 35' 4" | 29' 9" |
| | | 16 | 58' 4" | 46' 4" | 40' 6" | 40' 6" | 35' 4" | 29' 9" | 36' 9" | 32' 1" | 27' 1" |
| | | 24 | 51' 0" | 40' 6" | 35' 4" | 35' 4" | 30' 10" | 26' 1" | 32' 1" | 28' 1" | 23' 8" |
| 800S300-97 | 50 | 12 | 72' 1" | 57' 2" | 50' 0" | 50' 0" | 43' 8" | 36' 9" | 45' 4" | 39' 8" | 33' 6" |
| | | 16 | 65' 6" | 52' 0" | 45' 4" | 45' 4" | 39' 8" | 33' 6" | 41' 3" | 36' 1" | 30' 4" |
| | | 24 | 57' 2" | 45' 4" | 39' 8" | 39' 8" | 34' 8" | 29' 2" | 36' 1" | 31' 6" | 26' 7" |
| 800S300-118 | 50 | 12 | 76' 7" | 60' 9" | 53' 1" | 53' 1" | 46' 4" | 39' 2" | 48' 3" | 42' 2" | 35' 7" |
| | | 16 | 69' 7" | 55' 3" | 48' 3" | 48' 3" | 42' 2" | 35' 7" | 43' 10" | 38' 3" | 32' 3" |
| | | 24 | 60' 9" | 48' 3" | 42' 2" | 42' 2" | 36' 9" | 31' 1" | 38' 3" | 33' 6" | 28' 2" |

Notes:

- 5 psf, 7.5 psf and 10 psf loads have not been reduced for strength or deflection checks. Full lateral load is applied.
- Heights are based on continuous support of each flange over the full length of the stud.
- Web crippling checks are based on end-one flange loading condition using 1-inch end bearing.

- "e" web stiffeners required both ends.
- Allowable Flexural Strength is based on lateral and torsional bracing at a max 48" o.c.
- Limiting heights are based on steel properties only (non-composite)

CURTAINWALL LIMITING HEIGHTS - SINGLE SPAN

NOTES:

1. Listed wind pressures represent the calculated design wind pressure (1.0W based on 2009 IBC or 0.6W based on 2012 IBC and later editions). For deflection calculations, the listed wind pressures have been multiplied by 0.70 as per IBC.
2. Studs must be braced against rotation and lateral displacement at all supports.
3. Studs are assumed to be adequately braced at a maximum spacing of L_u to develop the full allowable moment, M_a .
4. Web crippling check is based on 1" of bearing at end supports and 3" of bearing at interior support.
5. Shear and web crippling capacity at end supports have NOT been reduced for punchouts. At interior support, the shear and web crippling capacity has been reduced for the presence of punchout adjacent to the supports.
6. Combined bending and shear check at interior support is based on unreinforced web as per AISI S100. The shear and combined bending and shear check at interior support have been reduced for the presence of punchouts adjacent to the support.
7. Listed "Double Span" limiting heights are based on the distance from wither end to the center of the interior support, with the stud continuous past the interior support.
8. "e" - web stiffeners required at ends.
9. See General Notes on Page 6.

| MEMBER | F _y (ksi) | SPACING (in.) o.c. | 15 psf | | | 20 psf | | | 25 psf | | | 30 psf | | | 35 psf | | | 40 psf | | | 50 psf | | | | | |
|-------------|-------------------------|-----------------------|---------|---------|---------|---------|---------|---------|---------|---------|---------|---------|---------|--------|---------|---------|--------|---------|---------|--------|---------|--------|--------|---------|--------|--------|
| | | | L/240 | L/360 | L/600 | L/240 | L/360 | L/600 | L/240 | L/360 | L/600 | L/240 | L/360 | L/600 | L/240 | L/360 | L/600 | L/240 | L/360 | L/600 | L/240 | L/360 | L/600 | | | |
| 362S137-33 | 33 | 12 | 14' 1" | 12' 7" | 10' 7" | 12' 2" | 11' 4" | 9' 7" | 10' 10" | 10' 7" | 9' 0" | 9' 10" | 9' 10" | 8' 4" | 9' 2" | 9' 2" | 8' 0" | 8' 7" | 8' 7" | 7' 8" | 7' 8" | 7' 8" | 7' 8" | 7' 8" | 7' 1" | |
| | | 16 | 12' 2" | 11' 4" | 9' 7" | 10' 6" | 10' 4" | 8' 9" | 9' 4" | 9' 4" | 8' 1" | 8' 7" | 8' 7" | 7' 8" | 8' 0" | 8' 0" | 7' 3" | 7' 6" | 7' 6" | 7' 0" | 6' 8" | 6' 8" | 6' 6" | 6' 8" | 6' 6" | |
| | | 24 | 9' 10" | 9' 10" | 8' 4" | 8' 7" | 8' 7" | 7' 8" | 7' 8" | 7' 8" | 7' 1" | 7' 0" | 7' 0" | 6' 8" | 6' 6" | 6' 6" | 6' 4" | 6' 1" | 6' 1" | 6' 1" | 5' 4" | 5' 4" | 5' 4" | 5' 4" | 5' 4" | |
| 362S137-43 | 33 | 12 | 15' 8" | 13' 8" | 11' 6" | 14' 2" | 12' 4" | 10' 6" | 12' 10" | 11' 6" | 9' 8" | 11' 9" | 10' 10" | 9' 2" | 10' 10" | 10' 3" | 8' 8" | 10' 2" | 9' 10" | 8' 3" | 9' 1" | 9' 1" | 7' 8" | 7' 10" | 7' 10" | 7' 0" |
| | | 16 | 14' 2" | 12' 4" | 10' 6" | 12' 6" | 11' 3" | 9' 6" | 11' 2" | 10' 6" | 8' 9" | 10' 2" | 9' 10" | 8' 3" | 9' 6" | 9' 4" | 7' 10" | 8' 9" | 8' 9" | 7' 7" | 7' 10" | 7' 10" | 7' 0" | 6' 6" | 6' 6" | 6' 1" |
| | | 24 | 11' 9" | 10' 10" | 9' 2" | 10' 2" | 9' 10" | 8' 3" | 9' 1" | 9' 1" | 7' 8" | 8' 3" | 8' 3" | 7' 3" | 7' 8" | 7' 8" | 6' 10" | 7' 2" | 7' 2" | 6' 7" | 6' 6" | 6' 6" | 6' 1" | 6' 6" | 6' 6" | 6' 1" |
| 362S137-43 | 50 | 12 | 15' 8" | 13' 8" | 11' 6" | 14' 2" | 12' 4" | 10' 6" | 13' 2" | 11' 6" | 9' 8" | 12' 4" | 10' 10" | 9' 2" | 11' 9" | 10' 3" | 8' 8" | 11' 3" | 9' 10" | 8' 3" | 10' 6" | 9' 2" | 7' 8" | 7' 10" | 7' 10" | 7' 0" |
| | | 16 | 14' 2" | 12' 4" | 10' 6" | 12' 10" | 11' 3" | 9' 6" | 12' 0" | 10' 6" | 8' 9" | 11' 3" | 9' 10" | 8' 3" | 10' 8" | 9' 4" | 7' 10" | 10' 2" | 9' 0" | 7' 7" | 9' 1" | 8' 3" | 7' 0" | 6' 6" | 6' 6" | 6' 1" |
| | | 24 | 12' 4" | 10' 10" | 9' 2" | 11' 3" | 9' 10" | 8' 3" | 10' 6" | 9' 2" | 7' 8" | 9' 7" | 8' 7" | 7' 3" | 8' 10" | 8' 2" | 6' 10" | 8' 3" | 7' 9" | 6' 7" | 7' 4" | 7' 3" | 6' 1" | 6' 6" | 6' 6" | 6' 1" |
| 362S137-54 | 50 | 12 | 16' 9" | 14' 8" | 12' 4" | 15' 2" | 13' 3" | 11' 2" | 14' 1" | 12' 4" | 10' 4" | 13' 3" | 11' 7" | 9' 9" | 12' 7" | 11' 0" | 9' 3" | 12' 1" | 10' 7" | 8' 10" | 11' 2" | 9' 9" | 8' 3" | 10' 2" | 9' 9" | 7' 6" |
| | | 16 | 15' 2" | 13' 3" | 11' 2" | 13' 9" | 12' 1" | 10' 2" | 12' 10" | 11' 2" | 9' 6" | 12' 1" | 10' 7" | 8' 10" | 11' 6" | 10' 0" | 8' 6" | 11' 0" | 9' 7" | 8' 1" | 10' 2" | 8' 10" | 7' 6" | 10' 2" | 8' 10" | 7' 6" |
| | | 24 | 13' 3" | 11' 7" | 9' 9" | 12' 1" | 10' 7" | 8' 10" | 11' 2" | 9' 9" | 8' 3" | 10' 7" | 9' 2" | 7' 9" | 10' 0" | 8' 9" | 7' 4" | 9' 7" | 8' 4" | 7' 1" | 8' 7" | 7' 9" | 6' 7" | 8' 7" | 7' 9" | 6' 7" |
| 362S137-68 | 50 | 12 | 17' 10" | 15' 8" | 13' 2" | 16' 3" | 14' 2" | 12' 0" | 15' 1" | 13' 2" | 11' 1" | 14' 2" | 12' 4" | 10' 6" | 13' 6" | 11' 9" | 10' 0" | 12' 10" | 11' 3" | 9' 6" | 12' 0" | 10' 6" | 8' 9" | 10' 10" | 10' 6" | 8' 9" |
| | | 16 | 16' 3" | 14' 2" | 12' 0" | 14' 9" | 12' 10" | 10' 10" | 13' 8" | 12' 0" | 10' 1" | 12' 10" | 11' 3" | 9' 6" | 12' 3" | 10' 8" | 9' 0" | 11' 8" | 10' 3" | 8' 8" | 10' 10" | 9' 6" | 8' 0" | 10' 10" | 9' 6" | 8' 0" |
| | | 24 | 14' 2" | 12' 4" | 10' 6" | 12' 10" | 11' 3" | 9' 6" | 12' 0" | 10' 6" | 8' 9" | 11' 3" | 9' 10" | 8' 3" | 10' 8" | 9' 4" | 7' 10" | 10' 3" | 9' 0" | 7' 7" | 9' 6" | 8' 3" | 7' 0" | 9' 6" | 8' 3" | 7' 0" |
| 362S137-97 | 50 | 12 | 19' 8" | 17' 2" | 14' 6" | 17' 10" | 15' 8" | 13' 2" | 16' 7" | 14' 6" | 12' 3" | 15' 8" | 13' 8" | 11' 6" | 14' 10" | 13' 0" | 11' 0" | 14' 2" | 12' 4" | 10' 6" | 13' 2" | 11' 6" | 9' 8" | 12' 0" | 11' 6" | 9' 8" |
| | | 16 | 17' 10" | 15' 8" | 13' 2" | 16' 3" | 14' 2" | 12' 0" | 15' 1" | 13' 2" | 11' 1" | 14' 2" | 12' 4" | 10' 6" | 13' 6" | 11' 9" | 10' 0" | 12' 10" | 11' 3" | 9' 6" | 12' 0" | 10' 6" | 8' 9" | 12' 0" | 10' 6" | 8' 9" |
| | | 24 | 15' 8" | 13' 8" | 11' 6" | 14' 2" | 12' 4" | 10' 6" | 13' 2" | 11' 6" | 9' 8" | 12' 4" | 10' 10" | 9' 2" | 11' 9" | 10' 3" | 8' 8" | 11' 3" | 9' 10" | 8' 3" | 10' 6" | 9' 2" | 7' 8" | 10' 6" | 9' 2" | 7' 8" |
| 362S162-33 | 33 | 12 | 15' 1" | 13' 2" | 11' 1" | 13' 1" | 12' 0" | 10' 1" | 11' 9" | 11' 1" | 9' 4" | 10' 8" | 10' 6" | 8' 9" | 9' 10" | 9' 10" | 8' 4" | 9' 3" | 9' 3" | 8' 0" | 8' 3" | 8' 3" | 7' 4" | 8' 3" | 8' 3" | 7' 4" |
| | | 16 | 13' 1" | 12' 0" | 10' 1" | 11' 4" | 10' 10" | 9' 2" | 10' 2" | 10' 1" | 8' 6" | 9' 3" | 9' 3" | 8' 0" | 8' 7" | 8' 7" | 7' 7" | 8' 1" | 8' 1" | 7' 3" | 7' 2" | 7' 2" | 6' 9" | 7' 2" | 7' 2" | 6' 9" |
| | | 24 | 10' 8" | 10' 6" | 8' 9" | 9' 3" | 9' 3" | 8' 0" | 8' 3" | 8' 3" | 7' 4" | 7' 7" | 7' 7" | 7' 0" | 7' 0" | 6' 8" | 6' 7" | 6' 7" | 6' 4" | 5' 10" | 5' 10" | 5' 10" | 5' 10" | 5' 10" | 5' 10" | 5' 10" |
| 362S162-43 | 33 | 12 | 16' 4" | 14' 3" | 12' 1" | 14' 10" | 13' 0" | 11' 0" | 13' 10" | 12' 1" | 10' 2" | 12' 8" | 11' 4" | 9' 7" | 11' 9" | 10' 9" | 9' 1" | 11' 0" | 10' 3" | 8' 8" | 9' 9" | 9' 7" | 8' 1" | 8' 6" | 8' 6" | 8' 1" |
| | | 16 | 14' 10" | 13' 0" | 11' 0" | 13' 6" | 11' 9" | 10' 0" | 12' 1" | 11' 0" | 9' 3" | 11' 0" | 10' 3" | 8' 8" | 10' 2" | 9' 9" | 8' 3" | 9' 6" | 9' 4" | 7' 10" | 8' 6" | 8' 6" | 7' 4" | 8' 6" | 8' 6" | 7' 4" |
| | | 24 | 12' 8" | 11' 4" | 9' 7" | 11' 0" | 10' 3" | 8' 8" | 9' 9" | 9' 7" | 8' 1" | 9' 0" | 9' 0" | 7' 7" | 8' 3" | 8' 3" | 7' 2" | 7' 9" | 7' 9" | 6' 10" | 7' 0" | 7' 0" | 6' 4" | 7' 0" | 7' 0" | 6' 4" |
| 362S162-43 | 50 | 12 | 16' 4" | 14' 3" | 12' 1" | 14' 10" | 13' 0" | 11' 0" | 13' 10" | 12' 1" | 10' 2" | 13' 0" | 11' 4" | 9' 7" | 12' 4" | 10' 9" | 9' 1" | 11' 9" | 10' 3" | 8' 8" | 11' 0" | 9' 7" | 8' 1" | 11' 0" | 9' 7" | 8' 1" |
| | | 16 | 14' 10" | 13' 0" | 11' 0" | 13' 7" | 11' 9" | 10' 0" | 12' 7" | 11' 0" | 9' 3" | 11' 9" | 10' 3" | 8' 8" | 11' 3" | 9' 9" | 8' 3" | 10' 9" | 9' 4" | 7' 10" | 9' 9" | 8' 8" | 9' 9" | 8' 8" | 7' 4" | |
| | | 24 | 13' 0" | 11' 4" | 9' 7" | 11' 9" | 10' 3" | 8' 8" | 11' 0" | 9' 7" | 8' 1" | 10' 3" | 9' 0" | 7' 7" | 9' 7" | 8' 7" | 7' 2" | 9' 0" | 8' 2" | 6' 10" | 8' 0" | 7' 7" | 6' 4" | 8' 0" | 7' 7" | 6' 4" |
| 362S162-54 | 50 | 12 | 17' 7" | 15' 4" | 13' 0" | 16' 0" | 14' 0" | 11' 9" | 14' 9" | 13' 0" | 10' 10" | 14' 0" | 12' 2" | 10' 3" | 13' 3" | 11' 7" | 9' 9" | 12' 8" | 11' 1" | 9' 3" | 11' 9" | 10' 3" | 8' 8" | 11' 9" | 10' 3" | 8' 8" |
| | | 16 | 16' 0" | 14' 0" | 11' 9" | 14' 6" | 12' 8" | 10' 8" | 13' 6" | 11' 9" | 9' 10" | 12' 8" | 11' 1" | 9' 3" | 12' 1" | 10' 6" | 8' 10" | 11' 6" | 10' 1" | 8' 6" | 10' 8" | 9' 3" | 7' 10" | 10' 8" | 9' 3" | 7' 10" |
| | | 24 | 14' 0" | 12' 2" | 10' 3" | 12' 8" | 11' 1" | 9' 3" | 11' 9" | 10' 3" | 8' 8" | 11' 1" | 9' 8" | 8' 2" | 10' 6" | 9' 2" | 7' 9" | 10' 1" | 8' 9" | 7' 4" | 9' 3" | 8' 2" | 6' 10" | 9' 3" | 8' 2" | 6' 10" |
| 362S162-68 | 50 | 12 | 18' 9" | 16' 4" | 13' 10" | 17' 1" | 14' 10" | 12' 7" | 15' 10" | 13' 10" | 11' 8" | 14' 10" | 13' 1" | 11' 0" | 14' 2" | 12' 4" | 10' 6" | 13' 7" | 11' 10" | 10' 0" | 12' 7" | 11' 0" | 9' 3" | 12' 7" | 11' 0" | 9' 3" |
| | | 16 | 17' 1" | 14' 10" | 12' 7" | 15' 6" | 13' 7" | 11' 6" | 14' 4" | 12' 7" | 10' 7" | 13' 7" | 11' 10" | 10' 0" | 12' 10" | 11' 3" | 9' 6" | 12' 3" | 10' 9" | 9' 1" | 11' 6" | 10' 0" | 8' 4" | 11' 6" | 10' 0" | 8' 4" |
| | | 24 | 14' 10" | 13' 1" | 11' 0" | 13' 7" | 11' 10" | 10' 0" | 12' 7" | 11' 0" | 9' 3" | 11' 10" | 10' 4" | 8' 8" | 11' 10" | 10' 4" | 8' 0" | 11' 3" | 9' 9" | 8' 3" | 10' 9" | 9' 4" | 7' 10" | 10' 0" | 8' 8" | 7' 4" |
| 362S162-97 | 50 | 12 | 20' 9" | 18' 1" | 15' 3" | 18' 10" | 16' 6" | 13' 10" | 17' 6" | 15' 3" | 12' 10" | 16' 6" | 14' 4" | 12' 1" | 15' 8" | 13' 8" | 11' 6" | 15' 0" | 13' 1" | 11' 0" | 13' 10" | 12' 1" | 10' 2" | 12' 0" | 12' 1" | 10' 2" |
| | | 16 | 18' 10" | 16' 6" | 13' 10" | 17' 1" | 15' 0" | 12' 7" | 15' 10" | 13' 10" | 11' 8" | 15' 0" | 13' 1" | 11' 0" | 14' 2" | 12' 4" | 10' 6" | 13' 7" | 11' 10" | 10' 0" | 12' 7" | 11' 0" | 9' 3" | 12' 7" | 11' 0" | 9' 3" |
| | | 24 | 16' 6" | 14' 4" | 12' 1" | 15' 0" | 13' 1" | 11' 0" | 13' 10" | 12' 1" | 10' 2" | 13' 1" | 11' 4" | 9' 7" | 12' 4" | 10' 10" | 9' 2" | 11' 10" | 10' 4" | 8' 9" | 11' 0" | 9' 7" | 8' 1" | 11' 0" | 9' 7" | 8' 1" |
| 362S162-118 | 50 | 12 | 21' 10" | 19' 1" | 16' 1" | 19' 10" | 17' 4" | 14' 7" | 18' 4" | 16' 1" | 13' 7" | 17' 4" | 15' 2" | 12' 9" | 16' 6" | 14' 4" | 12' 1" | 15' 9" | 13' 9" | 11' 7" | 14' 7" | 12' 9" | 10' 9" | 14' 7" | 12' 9" | 10' 9" |
| | | 16 | 19' 10" | 17' 4" | 14' 7" | 18' 0" | 15' 9" | 13' 3" | 16' 9" | 14' 7" | 12' 3" | 15' 9" | 13' 9" | 11' 7" | 15' 0" | 13' 1" | 11' 0" | 14' 3" | 12' 6" | 10' 7" | 13' 3" | 11' 7" | 9' 9" | 13' 3" | 11' 7" | 9' 9" |
| | | 24 | 17' 4" | 15' 2" | 12' 9" | 15' 9" | 13' 9" | 11' 7" | 14' 7" | 12' 9" | 10' 9" | 13' 9" | 12' 0" | 10' 1" | 13' 1" | 11' 4" | 9' 7" | 12' 6" | 10' 10" | 9' 2" | 11' 10" | 10' 4" | 8' 9" | 11' 0" | 10' 1" | 8' 7" |
| 362S200-33 | 33 | 12 | 15' 10" | 13' 10" | 11' 8" | 13' 10" | 12' 7" | 10' 8" | 12' 4" | 11' 8" | 9' 10" | 13' 8" | 12' 0" | 10' 1" | 10' 6" | 10' 6" | 8' 9" | 9' 9" | 9' 9" | 8' 6" | 8' 9" | 8' 9" | 8' 6" | 8' 9" | 8' 9" | 8' 6" |
| | | 16 | 13' 10" | 12' 7" | 10' 8" | 12' 1" | 11' 6" | 9' 8" | 10' 9" | 10' 8" | | | | | | | | | | | | | | | | |

CURTAINWALL LIMITING HEIGHTS - SINGLE SPAN

| MEMBER | F _y (ksi) | SPACING (in.) o.c. | 15 psf | | | 20 psf | | | 25 psf | | | 30 psf | | | 35 psf | | | 40 psf | | | 50 psf | | |
|-------------|-------------------------|-----------------------|---------|---------|---------|---------|---------|---------|---------|---------|---------|---------|---------|---------|---------|---------|---------|---------|---------|---------|---------|--------|---------|
| | | | L/240 | L/360 | L/600 | L/240 | L/360 | L/600 | L/240 | L/360 | L/600 | L/240 | L/360 | L/600 | L/240 | L/360 | L/600 | L/240 | L/360 | L/600 | L/240 | L/360 | L/600 |
| 362S250-43 | 33 | 12 | 18' 3" | 16' 0" | 13' 6" | 16' 7" | 14' 6" | 12' 2" | 15' 4" | 13' 6" | 11' 4" | 14' 0" | 12' 8" | 10' 8" | 13' 0" | 12' 0" | 10' 2" | 12' 2" | 11' 6" | 9' 8" | 10' 10" | 10' 8" | 9' 0" |
| | | 16 | 16' 7" | 14' 6" | 12' 2" | 14' 10" | 13' 2" | 11' 1" | 13' 3" | 12' 2" | 10' 3" | 12' 2" | 11' 6" | 9' 8" | 11' 3" | 10' 10" | 9' 2" | 10' 6"e | 10' 6"e | 8' 9" | 9' 4"e | 9' 4"e | 8' 2" |
| | | 24 | 14' 0" | 12' 8" | 10' 8" | 12' 2" | 11' 6" | 9' 8" | 10' 10" | 10' 8" | 9' 0" | 9' 10"e | 9' 10"e | 8' 6" | 9' 2"e | 9' 2"e | 8' 1"e | 8' 7"e | 8' 7"e | 7' 8"e | 7' 8"e | 7' 8"e | 7' 2"e |
| 362S250-43 | 50 | 12 | 18' 1" | 15' 9" | 13' 3" | 16' 4" | 14' 3" | 12' 1" | 15' 2" | 13' 3" | 11' 2" | 14' 3" | 12' 6" | 10' 7" | 13' 7" | 11' 10" | 10' 0" | 13' 0" | 11' 4" | 9' 7" | 12' 1" | 10' 7" | 8' 10" |
| | | 16 | 16' 4" | 14' 3" | 12' 1" | 14' 10" | 13' 0" | 11' 0" | 13' 9" | 12' 1" | 10' 2" | 13' 0" | 11' 4" | 9' 7" | 12' 4" | 10' 9" | 9' 1" | 11' 9" | 10' 3" | 8' 8" | 10' 9" | 9' 7" | 8' 1" |
| | | 24 | 14' 3" | 12' 6" | 10' 7" | 13' 0" | 11' 4" | 9' 7" | 12' 1" | 10' 7" | 8' 10" | 11' 4" | 9' 10" | 8' 4" | 10' 7" | 9' 4" | 8' 0" | 9' 10" | 9' 0" | 7' 7" | 8' 9"e | 8' 4"e | 7' 1" |
| 362S250-54 | 50 | 12 | 19' 7" | 17' 1" | 14' 4" | 17' 9" | 15' 6" | 13' 1" | 16' 6" | 14' 4" | 12' 2" | 16' 8" | 14' 7" | 11' 4" | 14' 8" | 12' 10" | 10' 10" | 14' 1" | 12' 3" | 10' 4" | 13' 1" | 11' 4" | 9' 7" |
| | | 16 | 17' 9" | 15' 6" | 13' 1" | 16' 1" | 14' 1" | 11' 10" | 15' 0" | 13' 1" | 11' 0" | 14' 1" | 12' 3" | 10' 4" | 13' 4" | 11' 8" | 9' 10" | 12' 9" | 11' 2" | 9' 4" | 11' 10" | 10' 4" | 8' 9" |
| | | 24 | 15' 6" | 13' 7" | 11' 4" | 14' 1" | 12' 3" | 10' 4" | 13' 1" | 11' 4" | 9' 7" | 12' 3" | 10' 9" | 9' 1" | 11' 8" | 10' 2" | 8' 7" | 11' 2" | 9' 9" | 8' 2" | 10' 1" | 9' 1" | 7' 8" |
| 362S250-68 | 50 | 12 | 21' 0" | 18' 4" | 15' 6" | 19' 1" | 16' 8" | 14' 1" | 17' 8" | 15' 6" | 13' 1" | 16' 8" | 14' 7" | 12' 3" | 15' 10" | 13' 10" | 11' 8" | 15' 2" | 13' 3" | 11' 2" | 14' 1" | 12' 3" | 10' 4" |
| | | 16 | 19' 1" | 16' 8" | 14' 1" | 17' 4" | 15' 2" | 12' 9" | 16' 1" | 14' 1" | 11' 10" | 15' 2" | 13' 3" | 11' 2" | 14' 4" | 12' 7" | 10' 7" | 13' 9" | 12' 0" | 10' 2" | 12' 9" | 11' 2" | 9' 4" |
| | | 24 | 16' 8" | 14' 7" | 12' 3" | 15' 2" | 13' 3" | 11' 2" | 14' 1" | 12' 3" | 10' 4" | 13' 3" | 11' 7" | 9' 9" | 12' 7" | 11' 0" | 9' 3" | 12' 0" | 10' 8" | 8' 10" | 11' 2" | 9' 9" | 8' 2" |
| 362S250-97 | 50 | 12 | 23' 3" | 20' 4" | 17' 2" | 21' 2" | 18' 6" | 15' 7" | 19' 8" | 17' 2" | 14' 6" | 18' 6" | 16' 2" | 13' 7" | 17' 7" | 15' 3" | 12' 10" | 17' 7" | 15' 3" | 12' 4" | 15' 7" | 13' 7" | 11' 6" |
| | | 16 | 21' 2" | 18' 6" | 15' 7" | 19' 2" | 16' 9" | 14' 2" | 17' 10" | 15' 7" | 13' 2" | 16' 9" | 14' 8" | 12' 4" | 16' 0" | 13' 10" | 11' 9" | 15' 3" | 13' 3" | 11' 3" | 14' 2" | 12' 4" | 10' 4" |
| | | 24 | 18' 6" | 16' 2" | 13' 7" | 16' 9" | 14' 8" | 12' 4" | 15' 7" | 13' 7" | 11' 6" | 14' 8" | 12' 9" | 10' 9" | 13' 10" | 12' 2" | 10' 3" | 13' 3" | 11' 8" | 9' 9" | 12' 4" | 10' 9" | 9' 1" |
| 362S250-118 | 50 | 12 | 24' 7" | 21' 6" | 18' 1" | 22' 4" | 19' 6" | 16' 6" | 20' 9" | 18' 1" | 15' 3" | 19' 6" | 17' 1" | 14' 4" | 18' 7" | 16' 2" | 13' 8" | 17' 8" | 15' 6" | 13' 1" | 16' 6" | 14' 4" | 12' 1" |
| | | 16 | 22' 4" | 19' 6" | 16' 6" | 20' 3" | 17' 8" | 15' 0" | 18' 10" | 16' 6" | 13' 10" | 17' 8" | 15' 6" | 13' 1" | 16' 10" | 14' 8" | 12' 4" | 16' 1" | 14' 1" | 11' 10" | 15' 0" | 13' 1" | 11' 0" |
| | | 24 | 19' 6" | 17' 1" | 14' 4" | 17' 8" | 15' 6" | 13' 1" | 16' 6" | 14' 4" | 12' 1" | 15' 6" | 13' 6" | 11' 4" | 14' 8" | 12' 10" | 10' 10" | 14' 1" | 12' 3" | 10' 4" | 13' 1" | 11' 4" | 9' 7" |
| 400S137-33 | 33 | 12 | 14' 10" | 13' 7" | 11' 6" | 12' 10" | 12' 3" | 10' 4" | 11' 6" | 11' 6" | 9' 8" | 10' 6" | 10' 6" | 9' 1" | 9' 8"e | 9' 8"e | 8' 7" | 9' 1"e | 9' 1"e | 8' 3"e | 8' 1"e | 8' 1"e | 7' 8"e |
| | | 16 | 12' 10" | 12' 3" | 10' 4" | 11' 2" | 11' 2" | 9' 6" | 10' 0"e | 10' 0"e | 8' 9" | 9' 1"e | 9' 1"e | 8' 3"e | 8' 4"e | 8' 4"e | 7' 10"e | 7' 10"e | 7' 10"e | 7' 1"e | 7' 1"e | 7' 0"e | |
| | | 24 | 10' 6" | 10' 6" | 9' 1" | 9' 1"e | 9' 1"e | 8' 3"e | 8' 1"e | 8' 1"e | 7' 8"e | 7' 4"e | 7' 4"e | 7' 2"e | 6' 10"e | 6' 10"e | 6' 10"e | 6' 4"e | 6' 4"e | 6' 4"e | 5' 9"e | 5' 9"e | 5' 9"e |
| 400S137-43 | 33 | 12 | 16' 10" | 14' 9" | 12' 6" | 15' 3" | 13' 4" | 11' 3" | 13' 8" | 12' 6" | 10' 6" | 12' 6" | 11' 8" | 9' 10" | 11' 7" | 11' 1" | 9' 4" | 10' 9" | 10' 8" | 9' 0" | 9' 8" | 9' 8" | 8' 3" |
| | | 16 | 15' 3" | 13' 4" | 11' 3" | 13' 3" | 12' 2" | 10' 3" | 11' 10" | 11' 3" | 9' 7" | 10' 9" | 10' 8" | 9' 10" | 10' 0" | 10' 0" | 8' 6" | 9' 4" | 9' 4" | 8' 2" | 8' 4"e | 8' 4"e | 7' 7" |
| | | 24 | 12' 6" | 11' 8" | 9' 10" | 10' 9" | 10' 8" | 9' 0" | 9' 8" | 9' 8" | 8' 3" | 8' 9" | 8' 9" | 7' 10" | 8' 2"e | 8' 2"e | 7' 6" | 7' 8"e | 7' 8"e | 7' 1"e | 6' 9"e | 6' 9"e | 6' 7"e |
| 400-137-43 | 50 | 12 | 16' 10" | 14' 9" | 12' 6" | 15' 4" | 13' 4" | 11' 3" | 14' 3" | 12' 6" | 10' 6" | 13' 4" | 11' 8" | 9' 10" | 12' 9" | 11' 1" | 9' 4" | 12' 2" | 10' 8" | 9' 0" | 11' 1" | 9' 10" | 8' 3" |
| | | 16 | 15' 4" | 13' 4" | 11' 3" | 14' 0" | 12' 2" | 10' 3" | 13' 10" | 11' 3" | 9' 7" | 12' 2" | 10' 8" | 9' 10" | 11' 6" | 10' 1" | 8' 6" | 10' 9" | 9' 8" | 8' 2" | 9' 7" | 9' 0" | 7' 7" |
| | | 24 | 13' 4" | 11' 8" | 9' 10" | 12' 2" | 10' 8" | 9' 0" | 11' 1" | 9' 10" | 8' 3" | 10' 2" | 9' 3" | 7' 10" | 9' 4" | 8' 9" | 7' 6" | 8' 9" | 8' 6" | 7' 1" | 7' 10" | 7' 10" | 6' 7" |
| 400S137-54 | 50 | 12 | 18' 1" | 15' 9" | 13' 4" | 16' 6" | 14' 4" | 12' 1" | 15' 3" | 13' 4" | 11' 3" | 14' 4" | 12' 7" | 10' 7" | 13' 8" | 11' 10" | 10' 1" | 13' 1" | 11' 4" | 9' 7" | 12' 1" | 10' 7" | 8' 10" |
| | | 16 | 16' 6" | 14' 4" | 12' 1" | 15' 0" | 13' 1" | 11' 0" | 13' 10" | 12' 1" | 10' 2" | 13' 1" | 11' 4" | 9' 7" | 12' 4" | 10' 9" | 9' 1" | 11' 10" | 10' 4" | 8' 8" | 11' 0" | 9' 7" | 8' 1" |
| | | 24 | 14' 4" | 12' 7" | 10' 7" | 13' 1" | 11' 4" | 9' 7" | 12' 1" | 10' 7" | 8' 10" | 11' 4" | 10' 0" | 8' 4" | 10' 9" | 9' 6" | 8' 0" | 10' 2" | 9' 1" | 7' 7" | 9' 1" | 8' 4" | 7' 1" |
| 400S137-68 | 50 | 12 | 19' 4" | 16' 10" | 14' 3" | 17' 7" | 15' 4" | 13' 0" | 16' 3" | 14' 3" | 12' 0" | 15' 4" | 13' 4" | 11' 3" | 14' 7" | 12' 9" | 10' 9" | 14' 0" | 12' 2" | 10' 3" | 13' 0" | 11' 3" | 9' 7" |
| | | 16 | 17' 7" | 15' 4" | 13' 0" | 16' 0" | 14' 0" | 11' 9" | 14' 9" | 13' 0" | 10' 10" | 14' 0" | 12' 2" | 10' 3" | 13' 3" | 11' 7" | 9' 9" | 12' 8" | 11' 1" | 9' 4" | 11' 9" | 10' 3" | 8' 8" |
| | | 24 | 15' 4" | 13' 4" | 11' 3" | 14' 0" | 12' 2" | 10' 3" | 13' 0" | 11' 3" | 9' 7" | 12' 2" | 10' 8" | 9' 0" | 11' 7" | 10' 1" | 8' 6" | 11' 1" | 9' 8" | 8' 2" | 10' 3" | 9' 0" | 7' 7" |
| 400S162-33 | 33 | 12 | 16' 1" | 14' 2" | 12' 0" | 13' 10" | 12' 10" | 10' 10" | 12' 4" | 12' 0" | 10' 1" | 11' 4"e | 11' 3"e | 9' 6" | 10' 6"e | 10' 6"e | 9' 0" | 9' 9"e | 9' 9"e | 8' 8"e | 8' 9"e | 8' 9"e | 8' 0"e |
| | | 16 | 13' 10" | 12' 10" | 10' 10" | 12' 0" | 11' 8" | 9' 10" | 10' 9"e | 10' 9"e | 9' 2" | 9' 9"e | 9' 9"e | 8' 8"e | 9' 1"e | 9' 1"e | 8' 2"e | 8' 6"e | 8' 6"e | 7' 10"e | 7' 7"e | 7' 7"e | 7' 3"e |
| | | 24 | 11' 4"e | 11' 3"e | 9' 6" | 9' 9"e | 9' 9"e | 8' 8"e | 8' 9"e | 8' 9"e | 8' 0"e | 8' 0"e | 7' 7"e | 7' 7"e | 7' 0"e | 7' 4"e | 7' 2"e | 7' 0"e | 7' 0"e | 6' 10"e | 6' 2"e | 6' 2"e | 6' 2"e |
| 400S162-43 | 33 | 12 | 17' 8" | 15' 6" | 13' 1" | 16' 1" | 14' 1" | 11' 10" | 14' 9" | 13' 1" | 11' 0" | 13' 6" | 12' 3" | 10' 4" | 12' 6" | 11' 8" | 9' 9" | 11' 8" | 11' 2" | 9' 4" | 10' 4" | 10' 4" | 8' 8" |
| | | 16 | 16' 1" | 14' 1" | 11' 10" | 14' 3" | 12' 9" | 10' 9" | 12' 9" | 11' 10" | 10' 0" | 11' 8" | 11' 2" | 9' 4" | 10' 9" | 10' 7" | 8' 10" | 10' 1" | 10' 1" | 8' 7" | 9' 0"e | 9' 0"e | 7' 10" |
| | | 24 | 13' 6" | 12' 3" | 10' 4" | 11' 8" | 11' 2" | 9' 4" | 10' 4" | 10' 4" | 8' 8" | 9' 6"e | 9' 6"e | 8' 2" | 8' 9"e | 8' 9"e | 7' 9" | 8' 2"e | 8' 2"e | 7' 6"e | 7' 4"e | 7' 4"e | 6' 10"e |
| 400S162-43 | 50 | 12 | 17' 8" | 15' 6" | 13' 1" | 16' 1" | 14' 1" | 11' 10" | 14' 10" | 13' 1" | 11' 0" | 14' 1" | 12' 3" | 10' 4" | 13' 4" | 11' 8" | 9' 9" | 12' 9" | 11' 2" | 9' 4" | 11' 10" | 10' 4" | 8' 8" |
| | | 16 | 16' 1" | 14' 1" | 11' 10" | 14' 7" | 12' 9" | 10' 9" | 13' 7" | 11' 10" | 10' 0" | 12' 9" | 11' 2" | 9' 4" | 12' 1" | 10' 7" | 8' 10" | 11' 7" | 10' 1" | 8' 7" | 10' 4" | 9' 4" | 7' 10" |
| | | 24 | 14' 1" | 12' 3" | 10' 4" | 12' 9" | 11' 2" | 9' 4" | 11' 10" | 10' 4" | 8' 8" | 10' 10" | 9' 9" | 8' 2" | 10' 1" | 9' 3" | 7' 9" | 9' 6" | 8' 10" | 7' 6" | 8' 6"e | 8' 2" | 6' 10" |
| 400S162-54 | 50 | 12 | 19' 0" | 16' 7" | 14' 0" | 17' 3" | 15' 1" | 12' 8" | 16' 0" | 14' 0" | 11' 9" | 15' 1" | 13' 2" | 11' 1" | 14' 3" | 12' 6" | 10' 7" | 13' 8" | 12' 0" | 10' 1" | 12' 8" | 11' 1" | 9' 4" |
| | | 16 | 17' 3" | 15' 1" | 12' 8" | 15' 8" | 13' 8" | 11' 7" | 14' 7" | 12' 8" | 10' 8" | 13' 8" | 12' 0" | 10' 1" | 13' 0" | 11' 4" | 9' 7" | 12' 4" | 10' 1" | 8' 7" | 11' 7" | 10' 1" | 8' 6" |
| | | 24 | 15' 1" | 13' 2" | 11' 1" | 13' 8" | 12' 0" | 10' 1" | 12' 8" | 11' 1" | 9' 4" | 12' 8" | 10' 6" | 8' 9" | 11' 4" | 9' 10" | 8' 4" | 10' 10" | 9' 6" | 8' 0" | 9' 9" | 8' 9" | 7' 4" |
| 400S162-68 | 50 | 12 | 20' 3" | 17' 9" | 15' 0" | 18' 6" | 16' 1" | 13' 7" | 17' 1" | 15' 0" | 12' 7" | 16' 1" | 14' 1" | 11' 10" | 15' 3" | | | | | | | | |

CURTAINWALL LIMITING HEIGHTS - SINGLE SPAN

| MEMBER | F _y (ksi) | SPACING (in.) o.c. | 15 psf | | | 20 psf | | | 25 psf | | | 30 psf | | | 35 psf | | | 40 psf | | | 50 psf | | |
|-------------|-------------------------|-----------------------|---------|---------|---------|---------|---------|---------|---------|---------|---------|---------|---------|---------|---------|---------|---------|---------|---------|---------|---------|--------|---------|
| | | | L/240 | L/360 | L/600 | L/240 | L/360 | L/600 | L/240 | L/360 | L/600 | L/240 | L/360 | L/600 | L/240 | L/360 | L/600 | L/240 | L/360 | L/600 | L/240 | L/360 | L/600 |
| 400S250-33 | 33 | 12 | 17' 7" | 15' 7" | 13' 2" | 15' 2" | 14' 2" | 12' 0" | 13' 7" | 13' 2" | 11' 1" | 12' 4" | 12' 4" | 10' 4" | 11' 6" | 11' 6" | 9' 10" | 10' 9" | 10' 9" | 9' 6" | 9' 7" | 9' 7" | 8' 9" |
| | | 16 | 15' 2" | 14' 2" | 12' 0" | 13' 2" | 12' 10" | 10' 10" | 11' 9" | 11' 9" | 10' 1" | 10' 9" | 10' 9" | 9' 6" | 10' 0" | 10' 0" | 9' 0" | 9' 3" | 9' 3" | 8' 7" | 8' 3" | 8' 3" | 8' 0" |
| | | 24 | 12' 4" | 12' 4" | 10' 4" | 10' 9" | 10' 9" | 9' 6" | 9' 7" | 9' 7" | 8' 9" | 8' 9" | 8' 3" | 8' 1" | 8' 1" | 7' 10" | 7' 7" | 7' 7" | 7' 6" | 6' 9" | 6' 9" | 6' 9" | 6' 9" |
| 400S250-43 | 33 | 12 | 19' 8" | 17' 2" | 14' 6" | 17' 10" | 15' 7" | 13' 2" | 16' 3" | 14' 6" | 12' 2" | 14' 10" | 13' 8" | 11' 6" | 13' 9" | 13' 0" | 10' 10" | 12' 10" | 12' 4" | 10' 6" | 11' 6" | 11' 6" | 9' 8" |
| | | 16 | 17' 10" | 15' 7" | 13' 2" | 15' 9" | 14' 2" | 12' 0" | 14' 1" | 13' 2" | 11' 1" | 12' 10" | 12' 4" | 10' 6" | 11' 10" | 11' 9" | 9' 10" | 11' 1" | 11' 1" | 9' 6" | 10' 0" | 10' 0" | 8' 9" |
| | | 24 | 14' 10" | 13' 8" | 11' 6" | 12' 10" | 12' 4" | 10' 6" | 11' 6" | 11' 6" | 9' 8" | 8' 8" | 10' 6" | 10' 6" | 9' 1" | 9' 8" | 9' 8" | 8' 8" | 9' 1" | 9' 1" | 8' 3" | 8' 1" | 8' 1" |
| 400S250-43 | 50 | 12 | 19' 6" | 17' 0" | 14' 3" | 17' 8" | 15' 4" | 13' 0" | 17' 8" | 15' 4" | 12' 1" | 15' 4" | 13' 6" | 11' 4" | 14' 8" | 12' 9" | 10' 9" | 14' 0" | 12' 3" | 10' 3" | 13' 0" | 11' 4" | 9' 7" |
| | | 16 | 17' 8" | 15' 4" | 13' 0" | 16' 1" | 14' 0" | 11' 9" | 14' 10" | 13' 0" | 11' 0" | 14' 0" | 12' 3" | 10' 3" | 13' 3" | 11' 7" | 9' 9" | 12' 8" | 11' 1" | 9' 4" | 11' 4" | 10' 3" | 8' 8" |
| | | 24 | 15' 4" | 13' 6" | 11' 4" | 14' 0" | 12' 3" | 10' 3" | 13' 0" | 11' 4" | 9' 7" | 12' 0" | 10' 8" | 9' 0" | 11' 2" | 10' 2" | 8' 7" | 10' 4" | 9' 8" | 8' 2" | 9' 3" | 9' 0" | 7' 7" |
| 400S250-54 | 50 | 12 | 21' 1" | 18' 4" | 15' 6" | 19' 1" | 16' 8" | 14' 1" | 17' 9" | 15' 6" | 13' 1" | 16' 8" | 14' 7" | 12' 3" | 15' 10" | 13' 10" | 11' 8" | 15' 2" | 13' 3" | 11' 2" | 14' 1" | 12' 3" | 10' 4" |
| | | 16 | 19' 1" | 16' 8" | 14' 1" | 17' 4" | 15' 2" | 12' 9" | 16' 1" | 14' 1" | 11' 10" | 15' 2" | 13' 3" | 11' 2" | 14' 4" | 12' 7" | 10' 7" | 13' 9" | 12' 1" | 10' 2" | 12' 9" | 11' 2" | 9' 4" |
| | | 24 | 16' 8" | 14' 7" | 12' 3" | 15' 2" | 13' 3" | 11' 2" | 14' 1" | 12' 3" | 10' 4" | 13' 3" | 11' 7" | 9' 9" | 12' 7" | 11' 0" | 9' 3" | 12' 0" | 10' 6" | 8' 10" | 10' 8" | 9' 9" | 8' 2" |
| 400S250-68 | 50 | 12 | 22' 8" | 19' 9" | 16' 8" | 20' 7" | 18' 0" | 15' 2" | 19' 1" | 16' 8" | 14' 1" | 18' 0" | 15' 8" | 13' 3" | 17' 1" | 14' 10" | 12' 7" | 16' 3" | 14' 3" | 12' 0" | 15' 2" | 13' 3" | 11' 2" |
| | | 16 | 20' 7" | 18' 0" | 15' 2" | 18' 8" | 16' 3" | 13' 9" | 17' 4" | 15' 2" | 12' 9" | 16' 3" | 14' 3" | 12' 0" | 15' 6" | 13' 7" | 11' 4" | 14' 9" | 13' 0" | 10' 10" | 13' 9" | 12' 0" | 10' 2" |
| | | 24 | 18' 0" | 15' 8" | 13' 3" | 16' 3" | 14' 3" | 12' 0" | 15' 2" | 13' 3" | 11' 2" | 14' 3" | 12' 6" | 10' 6" | 13' 7" | 11' 9" | 10' 0" | 13' 0" | 11' 3" | 9' 7" | 12' 0" | 10' 6" | 8' 10" |
| 400S250-97 | 50 | 12 | 25' 1" | 22' 0" | 18' 6" | 22' 9" | 19' 10" | 16' 9" | 21' 2" | 18' 6" | 15' 7" | 19' 10" | 17' 4" | 14' 8" | 18' 10" | 16' 7" | 14' 0" | 18' 1" | 15' 9" | 13' 4" | 16' 9" | 14' 8" | 12' 4" |
| | | 16 | 22' 9" | 19' 10" | 16' 9" | 20' 8" | 18' 1" | 15' 3" | 19' 3" | 16' 9" | 14' 2" | 18' 1" | 15' 9" | 13' 4" | 17' 2" | 15' 0" | 12' 8" | 16' 6" | 14' 4" | 12' 1" | 15' 3" | 13' 8" | 11' 3" |
| | | 24 | 19' 10" | 17' 4" | 14' 8" | 18' 1" | 15' 9" | 13' 4" | 16' 9" | 14' 8" | 12' 4" | 15' 9" | 13' 9" | 11' 8" | 15' 0" | 13' 1" | 11' 1" | 14' 4" | 12' 7" | 10' 7" | 13' 4" | 11' 8" | 9' 9" |
| 400S250-118 | 50 | 12 | 26' 7" | 23' 2" | 19' 7" | 24' 1" | 21' 1" | 17' 9" | 22' 4" | 19' 7" | 16' 6" | 21' 1" | 18' 4" | 15' 6" | 20' 0" | 17' 6" | 14' 9" | 19' 1" | 16' 8" | 14' 1" | 17' 9" | 15' 6" | 13' 1" |
| | | 16 | 24' 1" | 21' 1" | 17' 9" | 21' 10" | 19' 1" | 16' 2" | 20' 3" | 17' 9" | 15' 0" | 19' 1" | 16' 8" | 14' 1" | 18' 2" | 15' 10" | 13' 4" | 17' 4" | 15' 10" | 12' 9" | 16' 2" | 14' 1" | 11' 10" |
| | | 24 | 21' 1" | 18' 4" | 15' 6" | 19' 1" | 16' 8" | 14' 1" | 17' 9" | 15' 6" | 13' 1" | 16' 8" | 14' 7" | 12' 3" | 15' 10" | 13' 10" | 11' 8" | 15' 2" | 13' 3" | 11' 2" | 14' 1" | 12' 3" | 10' 4" |
| 600S137-33 | 33 | 12 | 18' 7" | 18' 7" | 15' 8" | 16' 1" | 16' 1" | 14' 3" | 14' 4" | 14' 4" | 13' 2" | 13' 1" | 13' 1" | 12' 6" | 12' 2" | 11' 9" | 12' 2" | 11' 4" | 11' 3" | 11' 3" | 10' 2" | 10' 2" | 10' 2" |
| | | 16 | 16' 1" | 16' 1" | 14' 3" | 13' 10" | 13' 10" | 13' 0" | 12' 6" | 12' 6" | 12' 0" | 12' 6" | 11' 4" | 11' 3" | 11' 3" | 10' 6" | 10' 6" | 10' 6" | 9' 10" | 9' 10" | 8' 9" | 8' 9" | 8' 9" |
| | | 24 | 13' 1" | 13' 1" | 12' 6" | 11' 4" | 11' 4" | 11' 3" | 10' 2" | 10' 2" | 10' 2" | 9' 3" | 9' 3" | 9' 3" | 8' 7" | 8' 7" | 8' 7" | 8' 0" | 8' 0" | 8' 0" | 7' 2" | 7' 2" | 7' 2" |
| 600S137-43 | 33 | 12 | 22' 3" | 20' 4" | 17' 2" | 19' 3" | 18' 6" | 15' 7" | 17' 3" | 17' 2" | 14' 6" | 15' 9" | 15' 9" | 13' 8" | 14' 7" | 14' 7" | 13' 0" | 13' 7" | 13' 7" | 12' 4" | 12' 2" | 12' 2" | 11' 6" |
| | | 16 | 19' 3" | 18' 6" | 15' 7" | 16' 8" | 16' 8" | 14' 2" | 14' 10" | 14' 10" | 13' 2" | 13' 7" | 13' 7" | 12' 4" | 12' 7" | 12' 7" | 11' 9" | 11' 9" | 11' 9" | 11' 3" | 10' 7" | 10' 7" | 10' 6" |
| | | 24 | 15' 9" | 15' 9" | 13' 8" | 13' 7" | 13' 7" | 12' 4" | 12' 2" | 12' 2" | 11' 6" | 11' 1" | 11' 1" | 10' 9" | 10' 3" | 10' 3" | 10' 3" | 9' 7" | 9' 7" | 9' 7" | 8' 7" | 8' 7" | 8' 7" |
| 600S137-43 | 50 | 12 | 23' 2" | 20' 3" | 17' 1" | 21' 1" | 18' 6" | 15' 7" | 19' 7" | 17' 1" | 14' 4" | 18' 0" | 16' 1" | 13' 7" | 16' 8" | 15' 3" | 12' 10" | 15' 7" | 14' 7" | 12' 4" | 13' 10" | 13' 7" | 11' 6" |
| | | 16 | 21' 1" | 18' 6" | 15' 7" | 19' 1" | 16' 9" | 14' 1" | 17' 1" | 15' 7" | 13' 1" | 15' 7" | 14' 7" | 12' 4" | 14' 4" | 13' 10" | 11' 8" | 13' 6" | 13' 3" | 11' 2" | 12' 1" | 12' 1" | 10' 4" |
| | | 24 | 18' 0" | 16' 1" | 13' 7" | 15' 7" | 14' 7" | 12' 4" | 13' 10" | 13' 7" | 11' 6" | 12' 8" | 12' 8" | 10' 9" | 11' 9" | 11' 9" | 10' 3" | 11' 0" | 11' 0" | 9' 9" | 9' 10" | 9' 10" | 9' 1" |
| 600S137-43 | 50 | 12 | 25' 0" | 21' 10" | 18' 6" | 22' 9" | 19' 10" | 16' 9" | 21' 1" | 18' 6" | 15' 7" | 19' 10" | 17' 4" | 14' 7" | 18' 10" | 16' 6" | 13' 10" | 18' 1" | 15' 9" | 13' 3" | 16' 3" | 14' 7" | 12' 4" |
| | | 16 | 22' 9" | 19' 10" | 16' 9" | 20' 8" | 18' 1" | 15' 2" | 19' 2" | 16' 9" | 14' 1" | 18' 1" | 15' 9" | 13' 3" | 16' 9" | 15' 0" | 12' 7" | 15' 9" | 14' 3" | 12' 1" | 14' 1" | 13' 3" | 11' 2" |
| | | 24 | 19' 10" | 17' 4" | 14' 7" | 18' 1" | 15' 9" | 13' 3" | 16' 3" | 14' 7" | 12' 4" | 14' 10" | 13' 9" | 11' 7" | 13' 9" | 13' 1" | 11' 0" | 12' 10" | 12' 6" | 10' 7" | 11' 6" | 11' 6" | 9' 9" |
| 600S137-68 | 50 | 12 | 26' 9" | 23' 4" | 19' 9" | 24' 4" | 21' 3" | 18' 0" | 22' 7" | 19' 9" | 16' 8" | 21' 3" | 18' 7" | 15' 8" | 20' 2" | 17' 8" | 14' 10" | 19' 3" | 16' 10" | 14' 3" | 18' 0" | 15' 8" | 13' 2" |
| | | 16 | 24' 4" | 21' 3" | 18' 0" | 22' 1" | 19' 3" | 16' 3" | 20' 7" | 18' 0" | 15' 2" | 19' 3" | 16' 10" | 14' 3" | 18' 4" | 16' 1" | 13' 6" | 17' 7" | 15' 4" | 13' 0" | 16' 3" | 14' 3" | 12' 0" |
| | | 24 | 21' 3" | 18' 7" | 15' 8" | 19' 3" | 16' 10" | 14' 3" | 18' 0" | 15' 8" | 13' 2" | 16' 10" | 14' 9" | 12' 6" | 16' 0" | 14' 0" | 11' 9" | 15' 0" | 13' 4" | 11' 3" | 13' 4" | 12' 6" | 10' 6" |
| 600S137-97 | 50 | 12 | 29' 8" | 25' 10" | 21' 10" | 27' 0" | 23' 7" | 19' 10" | 25' 0" | 21' 10" | 18' 4" | 23' 7" | 20' 7" | 17' 4" | 22' 4" | 19' 6" | 16' 6" | 21' 4" | 18' 8" | 15' 9" | 19' 10" | 17' 4" | 14' 7" |
| | | 16 | 27' 0" | 23' 7" | 19' 10" | 24' 6" | 21' 4" | 18' 1" | 22' 8" | 19' 10" | 16' 9" | 21' 4" | 18' 8" | 15' 9" | 20' 3" | 17' 9" | 15' 0" | 19' 4" | 17' 0" | 14' 3" | 18' 1" | 15' 9" | 13' 3" |
| | | 24 | 23' 7" | 20' 7" | 17' 4" | 21' 4" | 18' 8" | 15' 9" | 19' 10" | 17' 4" | 14' 7" | 18' 8" | 16' 3" | 13' 9" | 17' 9" | 15' 6" | 13' 1" | 17' 0" | 14' 9" | 12' 6" | 15' 9" | 13' 9" | 11' 7" |
| 600S162-33 | 33 | 12 | 20' 1" | 19' 6" | 16' 6" | 17' 4" | 17' 4" | 15' 0" | 15' 7" | 15' 7" | 13' 10" | 14' 2" | 14' 2" | 13' 1" | 13' 2" | 13' 2" | 12' 4" | 12' 3" | 12' 3" | 11' 10" | 11' 0" | 11' 0" | 11' 0" |
| | | 16 | 17' 4" | 17' 4" | 15' 0" | 15' 1" | 15' 1" | 13' 7" | 13' 6" | 13' 6" | 12' 7" | 12' 3" | 12' 3" | 11' 10" | 11' 4" | 11' 4" | 11' 3" | 10' 8" | 10' 8" | 10' 8" | 9' 6" | 9' 6" | 9' 6" |
| | | 24 | 14' 2" | 14' 2" | 13' 1" | 12' 3" | 12' 3" | 11' 10" | 11' 0" | 11' 0" | 11' 0" | 10' 6" | 10' 6" | 10' 0" | 9' 3" | 9' 3" | 9' 3" | 8' 8" | 8' 8" | 8' 8" | 7' 9" | 7' 9" | 7' 9" |
| 600S162-43 | 33 | 12 | 24' 0" | 21' 3" | 17' 10" | 20' 9" | 19' 3" | 16' 3" | 18' 7" | 17' 10" | 15' 1" | 17' 0" | 16' 10" | 14' 2" | 15' 8" | 15' 8" | 13' 6" | 14' 8" | 14' 8" | 12' 10" | 13' 2" | 13' 2" | 12' 0" |
| | | 16 | 20' 9" | 19' 3" | 16' 3" | 18' 0" | 17' 7" | 14' 9" | 16' 1" | 16' 1" | 13' 9" | 14' 8" | 14' 8" | 12' 10" | 13' 7" | 13' 7" | 12' 3" | 12' 8" | 12' 8" | 11' 9" | 11' 4" | 11' 4" | 10' 10" |
| | | 24 | 17' 0" | 16' 10" | 14' 2" | 14' 8" | 14' 8" | 12' 10" | 13' 2" | 13' 2" | 12' 0" | 12' 0" | 11' 3" | 11' 3" | 11' 1" | 11' 1" | 10' 8" | 11' 1" | 11' 1" | 10' 8" | 9' 3" | 9' 3" | 9' 3" |
| 600S162-43 | 50 | 12 | 24' 4" | 21' 3" | 17' 10" | 22' 1" | 19' 3" | 16' 3" | 20' 6" | 17' 10" | 15' 1" | 19' 3" | 16' 10" | 14' 2" | 18' 0" | 16' 0" | 13' 6" | 16' 9" | 15' 3" | 12' 10" | | | |

CURTAINWALL LIMITING HEIGHTS - SINGLE SPAN

| MEMBER | F _y (ksi) | SPACING (in.) o.c. | 15 psf | | | 20 psf | | | 25 psf | | | 30 psf | | | 35 psf | | | 40 psf | | | 50 psf | | |
|-------------|-------------------------|-----------------------|--------|---------|---------|---------|---------|---------|---------|---------|---------|---------|---------|---------|---------|---------|---------|---------|---------|---------|---------|---------|---------|
| | | | L/240 | L/360 | L/600 | L/240 | L/360 | L/600 | L/240 | L/360 | L/600 | L/240 | L/360 | L/600 | L/240 | L/360 | L/600 | L/240 | L/360 | L/600 | L/240 | L/360 | L/600 |
| 800S162-97 | 50 | 12 | 39' 3" | 34' 3" | 28' 10" | 35' 8" | 31' 2" | 26' 3" | 33' 1" | 28' 10" | 24' 4" | 31' 2" | 27' 2" | 23' 0" | 29' 7" | 25' 10" | 21' 9" | 28' 3" | 24' 8" | 20' 10" | 26' 3" | 23' 0" | 19' 4" |
| | | 16 | 35' 8" | 31' 2" | 26' 3" | 32' 4" | 28' 3" | 23' 10" | 30' 1" | 26' 3" | 22' 2" | 28' 3" | 24' 8" | 20' 10" | 26' 10" | 23' 6" | 19' 9" | 25' 8" | 22' 6" | 19' 0" | 23' 10" | 20' 10" | 17' 7" |
| | | 24 | 31' 2" | 27' 2" | 23' 0" | 28' 3" | 24' 8" | 20' 10" | 26' 3" | 23' 0" | 19' 4" | 24' 8" | 21' 7" | 18' 2" | 23' 6" | 20' 6" | 17' 3" | 22' 6" | 19' 7" | 16' 7" | 20' 10" | 18' 2" | 15' 4" |
| 800S162-118 | 50 | 12 | 41' 7" | 36' 3" | 30' 7" | 37' 9" | 33' 0" | 27' 9" | 35' 1" | 30' 7" | 25' 9" | 33' 0" | 28' 9" | 24' 3" | 31' 3" | 27' 4" | 23' 1" | 30' 0" | 26' 2" | 22' 1" | 27' 9" | 24' 3" | 20' 6" |
| | | 16 | 37' 9" | 33' 0" | 27' 9" | 34' 3" | 30' 0" | 25' 3" | 31' 10" | 27' 9" | 23' 6" | 30' 0" | 26' 2" | 22' 1" | 28' 6" | 24' 10" | 21' 0" | 27' 2" | 23' 9" | 20' 1" | 25' 3" | 22' 1" | 18' 7" |
| | | 24 | 33' 0" | 28' 9" | 24' 3" | 30' 0" | 26' 2" | 22' 1" | 27' 9" | 24' 3" | 20' 6" | 26' 2" | 22' 10" | 19' 3" | 24' 10" | 21' 8" | 18' 3" | 23' 9" | 20' 9" | 17' 6" | 22' 1" | 19' 3" | 16' 3" |
| 800S200-43 | 33 | 12 | 30' 1" | 28' 0" | 23' 8" | 26' 0" | 25' 6" | 21' 6" | 23' 3" | 23' 3" | 20' 0" | 21' 3" | 21' 3" | 18' 9" | 19' 8" | 19' 8" | 17' 9" | 18' 4" | 18' 4" | 17' 1" | 16' 6" | 16' 6" | 15' 9" |
| | | 16 | 26' 0" | 25' 6" | 21' 6" | 22' 6" | 22' 6" | 19' 6" | 20' 2" | 20' 2" | 18' 1" | 18' 4" | 18' 4" | 17' 1" | 17' 0" | 17' 0" | 16' 2" | 15' 10" | 15' 10" | 15' 6" | 14' 3" | 14' 3" | 14' 3" |
| | | 24 | 21' 3" | 21' 3" | 18' 9" | 18' 4" | 18' 4" | 17' 1" | 16' 6" | 16' 6" | 15' 9" | 15' 0" | 15' 0" | 14' 10" | 13' 10" | 13' 10" | 13' 10" | 13' 0" | 13' 0" | 13' 0" | 11' 7" | 11' 7" | 11' 7" |
| 800S200-43 | 50 | 12 | 32' 1" | 28' 0" | 23' 8" | 29' 2" | 25' 6" | 21' 6" | 26' 6" | 23' 8" | 20' 0" | 24' 2" | 22' 3" | 18' 9" | 22' 4" | 21' 1" | 17' 9" | 21' 0" | 20' 2" | 17' 1" | 18' 8" | 18' 8" | 15' 9" |
| | | 16 | 29' 2" | 25' 6" | 21' 6" | 25' 8" | 23' 2" | 19' 6" | 23' 0" | 21' 6" | 18' 1" | 21' 0" | 20' 2" | 17' 1" | 19' 4" | 19' 2" | 16' 2" | 18' 1" | 18' 1" | 15' 6" | 16' 2" | 16' 2" | 14' 4" |
| | | 24 | 24' 2" | 22' 3" | 18' 9" | 21' 0" | 20' 2" | 17' 1" | 18' 8" | 18' 8" | 15' 9" | 17' 1" | 17' 1" | 14' 10" | 15' 9" | 15' 9" | 14' 2" | 14' 9" | 14' 9" | 13' 6" | 13' 3" | 13' 3" | 12' 7" |
| 800S200-54 | 50 | 12 | 34' 6" | 30' 1" | 25' 4" | 31' 3" | 27' 4" | 23' 1" | 29' 1" | 25' 4" | 21' 4" | 27' 4" | 23' 10" | 20' 2" | 26' 0" | 22' 8" | 19' 2" | 24' 6" | 21' 8" | 18' 3" | 21' 10" | 20' 2" | 17' 0" |
| | | 16 | 31' 3" | 27' 4" | 23' 1" | 28' 6" | 24' 10" | 21' 0" | 26' 4" | 23' 1" | 19' 6" | 24' 6" | 21' 8" | 18' 3" | 22' 8" | 20' 7" | 17' 4" | 21' 2" | 19' 8" | 16' 8" | 19' 0" | 18' 3" | 15' 6" |
| | | 24 | 27' 4" | 23' 10" | 20' 2" | 24' 6" | 21' 8" | 18' 3" | 21' 10" | 20' 2" | 17' 0" | 20' 0" | 19' 0" | 16' 0" | 18' 6" | 18' 0" | 15' 2" | 17' 3" | 17' 2" | 14' 6" | 15' 6" | 15' 6" | 13' 6" |
| 800S200-68 | 50 | 12 | 37' 0" | 32' 4" | 27' 3" | 33' 8" | 29' 4" | 24' 9" | 31' 2" | 27' 3" | 23' 0" | 29' 4" | 25' 8" | 21' 8" | 27' 10" | 24' 4" | 20' 7" | 26' 8" | 23' 3" | 19' 8" | 24' 9" | 21' 8" | 18' 3" |
| | | 16 | 33' 8" | 29' 4" | 24' 9" | 30' 7" | 26' 8" | 22' 6" | 28' 4" | 24' 9" | 20' 10" | 26' 8" | 23' 3" | 19' 8" | 25' 4" | 22' 2" | 18' 8" | 24' 3" | 21' 2" | 17' 10" | 22' 2" | 19' 8" | 16' 7" |
| | | 24 | 29' 4" | 25' 8" | 21' 8" | 26' 8" | 23' 3" | 19' 8" | 24' 9" | 21' 8" | 18' 3" | 23' 3" | 20' 4" | 17' 2" | 21' 7" | 19' 4" | 16' 3" | 20' 2" | 18' 6" | 15' 7" | 18' 1" | 17' 2" | 14' 6" |
| 800S200-97 | 50 | 12 | 41' 2" | 36' 0" | 30' 4" | 37' 4" | 32' 8" | 27' 7" | 34' 9" | 30' 4" | 25' 7" | 32' 8" | 28' 7" | 24' 1" | 31' 1" | 27' 1" | 22' 10" | 29' 8" | 26' 0" | 21' 10" | 27' 7" | 24' 1" | 20' 3" |
| | | 16 | 37' 4" | 32' 8" | 27' 7" | 34' 0" | 29' 8" | 25' 1" | 31' 7" | 27' 7" | 23' 3" | 29' 8" | 26' 0" | 21' 10" | 28' 2" | 24' 8" | 20' 9" | 27' 0" | 23' 7" | 19' 10" | 25' 1" | 21' 10" | 18' 6" |
| | | 24 | 32' 8" | 28' 7" | 24' 1" | 29' 8" | 26' 0" | 21' 10" | 27' 7" | 24' 1" | 20' 3" | 26' 0" | 22' 8" | 19' 1" | 24' 8" | 21' 6" | 18' 2" | 23' 7" | 20' 7" | 17' 4" | 21' 10" | 19' 1" | 16' 1" |
| 800S200-118 | 50 | 12 | 43' 7" | 38' 1" | 32' 2" | 39' 8" | 34' 7" | 29' 2" | 36' 9" | 32' 2" | 27' 1" | 34' 7" | 30' 3" | 25' 6" | 32' 10" | 28' 8" | 24' 2" | 31' 6" | 27' 6" | 23' 2" | 29' 2" | 25' 6" | 21' 6" |
| | | 16 | 39' 8" | 34' 7" | 29' 2" | 36' 0" | 31' 6" | 26' 6" | 33' 4" | 29' 2" | 24' 7" | 31' 6" | 27' 6" | 23' 2" | 29' 10" | 26' 1" | 22' 0" | 28' 7" | 25' 0" | 21' 1" | 26' 6" | 23' 2" | 19' 7" |
| | | 24 | 34' 7" | 30' 3" | 25' 6" | 31' 6" | 27' 6" | 23' 2" | 29' 2" | 25' 6" | 21' 6" | 27' 6" | 24' 0" | 20' 3" | 26' 1" | 22' 9" | 19' 2" | 25' 0" | 21' 9" | 18' 4" | 23' 2" | 20' 3" | 17' 1" |
| 800S250-43 | 33 | 12 | 30' 9" | 29' 3" | 24' 8" | 26' 8" | 26' 7" | 22' 4" | 23' 10" | 23' 10" | 20' 9" | 21' 9" | 21' 9" | 19' 7" | 20' 2" | 20' 2" | 18' 7" | 18' 10" | 18' 10" | 17' 9" | 16' 10" | 16' 10" | 16' 6" |
| | | 16 | 26' 8" | 26' 7" | 22' 4" | 23' 1" | 23' 1" | 20' 4" | 20' 8" | 20' 8" | 18' 10" | 18' 10" | 18' 10" | 17' 9" | 17' 6" | 17' 6" | 16' 10" | 16' 3" | 16' 3" | 16' 2" | 14' 7" | 14' 7" | 14' 7" |
| | | 24 | 21' 9" | 21' 9" | 19' 7" | 18' 10" | 18' 10" | 17' 9" | 16' 10" | 16' 10" | 16' 6" | 15' 4" | 15' 4" | 15' 4" | 14' 3" | 14' 3" | 14' 3" | 13' 3" | 13' 3" | 13' 3" | 11' 10" | 11' 10" | 11' 10" |
| 800S250-43 | 50 | 12 | 33' 1" | 29' 0" | 24' 4" | 30' 1" | 26' 3" | 22' 2" | 27' 1" | 24' 4" | 20' 7" | 24' 8" | 23' 0" | 19' 4" | 22' 10" | 21' 9" | 18' 4" | 21' 4" | 20' 10" | 17' 7" | 19' 2" | 19' 2" | 16' 3" |
| | | 16 | 30' 1" | 26' 3" | 22' 2" | 26' 2" | 23' 10" | 20' 2" | 23' 6" | 22' 2" | 18' 8" | 21' 4" | 20' 10" | 17' 7" | 19' 9" | 19' 9" | 16' 8" | 18' 6" | 18' 6" | 16' 0" | 16' 7" | 16' 7" | 14' 10" |
| | | 24 | 24' 8" | 23' 0" | 19' 4" | 21' 4" | 20' 10" | 17' 7" | 19' 2" | 19' 2" | 16' 3" | 17' 6" | 17' 6" | 15' 4" | 16' 2" | 16' 2" | 14' 7" | 15' 1" | 15' 1" | 14' 0" | 13' 6" | 13' 6" | 13' 0" |
| 800S250-54 | 50 | 12 | 35' 9" | 31' 3" | 26' 4" | 32' 7" | 28' 6" | 24' 0" | 30' 2" | 26' 4" | 22' 3" | 28' 6" | 24' 10" | 21' 0" | 26' 9" | 23' 7" | 19' 10" | 25' 1" | 22' 7" | 19' 0" | 22' 4" | 21' 0" | 17' 8" |
| | | 16 | 32' 7" | 28' 6" | 24' 0" | 29' 7" | 25' 9" | 21' 9" | 27' 6" | 24' 0" | 20' 2" | 25' 1" | 22' 7" | 19' 0" | 23' 2" | 21' 4" | 18' 1" | 21' 8" | 20' 6" | 17' 3" | 19' 4" | 19' 0" | 16' 1" |
| | | 24 | 28' 6" | 24' 10" | 21' 0" | 25' 1" | 22' 7" | 19' 0" | 22' 4" | 21' 0" | 17' 8" | 20' 6" | 19' 8" | 16' 7" | 19' 0" | 18' 8" | 15' 9" | 17' 8" | 17' 8" | 15' 1" | 15' 10" | 15' 10" | 14' 0" |
| 800S250-68 | 50 | 12 | 38' 8" | 33' 9" | 28' 6" | 35' 1" | 30' 8" | 25' 10" | 32' 7" | 28' 6" | 24' 0" | 30' 8" | 26' 9" | 22' 7" | 29' 2" | 25' 6" | 21' 6" | 27' 10" | 24' 4" | 20' 6" | 25' 10" | 22' 7" | 19' 1" |
| | | 16 | 35' 1" | 30' 8" | 25' 10" | 31' 10" | 27' 10" | 23' 6" | 29' 7" | 25' 10" | 21' 9" | 27' 10" | 24' 4" | 20' 6" | 26' 6" | 23' 1" | 19' 6" | 25' 3" | 22' 1" | 18' 8" | 22' 8" | 20' 6" | 17' 3" |
| | | 24 | 30' 8" | 26' 9" | 22' 7" | 27' 10" | 24' 4" | 20' 6" | 25' 10" | 22' 7" | 19' 1" | 24' 0" | 21' 3" | 17' 10" | 22' 2" | 20' 2" | 17' 0" | 20' 9" | 19' 3" | 16' 3" | 18' 7" | 17' 10" | 15' 1" |
| 800S250-97 | 50 | 12 | 43' 1" | 37' 7" | 31' 8" | 39' 1" | 34' 2" | 28' 9" | 36' 3" | 31' 8" | 26' 9" | 34' 2" | 29' 10" | 25' 2" | 32' 6" | 28' 4" | 23' 10" | 31' 1" | 27' 1" | 22' 10" | 28' 9" | 25' 2" | 21' 2" |
| | | 16 | 39' 1" | 34' 2" | 28' 9" | 35' 6" | 31' 1" | 26' 2" | 33' 0" | 28' 9" | 24' 3" | 31' 1" | 27' 1" | 22' 10" | 29' 6" | 25' 9" | 21' 8" | 28' 2" | 24' 7" | 20' 9" | 26' 2" | 22' 10" | 19' 3" |
| | | 24 | 34' 2" | 29' 10" | 25' 2" | 31' 1" | 27' 1" | 22' 10" | 28' 9" | 25' 2" | 21' 2" | 27' 1" | 23' 8" | 20' 0" | 25' 9" | 22' 6" | 19' 0" | 24' 7" | 21' 6" | 18' 2" | 22' 10" | 20' 0" | 16' 10" |
| 800S250-118 | 50 | 12 | 45' 8" | 39' 10" | 33' 7" | 41' 6" | 36' 2" | 30' 7" | 38' 6" | 33' 7" | 28' 4" | 36' 2" | 31' 8" | 26' 8" | 34' 4" | 30' 1" | 25' 4" | 32' 10" | 28' 9" | 24' 3" | 30' 7" | 26' 8" | 22' 6" |
| | | 16 | 41' 6" | 36' 2" | 30' 7" | 37' 8" | 32' 10" | 27' 9" | 35' 0" | 30' 7" | 25' 9" | 32' 10" | 28' 9" | 24' 3" | 31' 3" | 27' 3" | 23' 0" | 29' 10" | 26' 1" | 22' 0" | 27' 9" | 24' 3" | 20' 6" |
| | | 24 | 36' 2" | 31' 8" | 26' 8" | 32' 10" | 28' 9" | 24' 3" | 30' 7" | 26' 8" | 22' 6" | 28' 9" | 25' 1" | 21' 2" | 27' 3" | 23' 10" | 20' 1" | 26' 1" | 22' 9" | 19' 3" | 24' 3" | 21' 2" | 17' 10" |
| 800S300-54 | 50 | 12 | 36' 7" | 32' 0" | 26' 10" | 33' 2" | 29' 0" | 24' 6" | 30' 9" | 26' 10" | 22' 8" | 29' 0" | 25' 4" | 21' 4" | 27' 2" | 24' 1" | 20' 3" | 25' 4" | 23' 0" | 19' 4" | 22' 9" | 21' 4" | 18' 0" |
| | | 16 | 33' 2" | 29' 0" | 24' 6" | 30' 2" | 26' 4" | 22' 2" | 27' 10" | 24' 6" | 20' 8" | 25' 4" | 23' 0" | 19' 4" | 23' 7" | 21' 10" | 18' 6" | 22' 0" | 20' 10" | 17' 8" | 19' 8" | 19' 4" | 16' 4" |
| | | 24 | 29' 0" | 25' 4" | 21' 4" | 25' 4" | 23' 0" | 19' 4" | 22' 9" | 21' 4" | 18' 0" | 20' 9" | 20' 10" | 17' 0" | 19' 2" | 19' 1" | 16' 1" | 18' 0" | 18' 0" | 15' 4" | 16' 1" | 16' 1" | 14' 3" |
| 800S300-68 | 50 | 12 | 39' 9" | 34' 9" | 29' 4" | 36' 2" | 31' 7" | 26' 8" | 33' 7" | | | | | | | | | | | | | | |

CURTAINWALL LIMITING HEIGHTS - DOUBLE SPAN

NOTES:

1. Listed wind pressures represent the calculated design wind pressure (1.0W based on 2009 IBC or 0.6W based on 2012 IBC and later editions). For deflection calculations, the listed wind pressures have been multiplied by 0.70 as per IBC.
2. Studs must be braced against rotation and lateral displacement at all supports.
3. Studs are assumed to be adequately braced at a maximum spacing of L_{11} to develop the full allowable moment, M_a .
4. Web crippling check is based on 1" of bearing at end supports and 3" of bearing at interior support.
5. Shear and web crippling capacity at end supports have NOT been reduced for punchouts. At interior support, the shear and web crippling capacity has been reduced for the presence of punchout adjacent to the support.
6. Combined bending and shear check at interior support is based on unreinforced web as per AISI S100. The shear and combined bending and shear check at interior support have been reduced for the presence of punchouts adjacent to the support.
7. Listed "Double Span" limiting heights are based on the distance from either end to the center of the interior support, with the stud continuous past the interior support.
8. "e" - web stiffeners required at ends. "a" web stiffeners required at ends and at interior supports, "i" web stiffeners required at interior supports.
9. See General Notes on Page 6.

| MEMBER | F _y (ksi) | SPACING (in.) o.c. | 15 psf | | | 20 psf | | | 25 psf | | | 30 psf | | | 35 psf | | | 40 psf | | | 50 psf | | |
|-------------|-------------------------|-----------------------|---------|---------|---------|---------|---------|---------|---------|---------|---------|---------|---------|---------|---------|---------|---------|---------|---------|---------|---------|---------|--------|
| | | | L/240 | L/360 | L/600 | L/240 | L/360 | L/600 | L/240 | L/360 | L/600 | L/240 | L/360 | L/600 | L/240 | L/360 | L/600 | L/240 | L/360 | L/600 | L/240 | L/360 | L/600 |
| 362S137-33 | 33 | 12 | 14' 0" | 14' 0" | 14' 0" | 12' 1" | 12' 1" | 12' 1" | 10' 9" | 10' 9" | 10' 9" | 9' 9" | 9' 9" | 9' 9" | 9' 0" | 9' 0" | 9' 0" | 8' 4" | 8' 4" | 8' 4" | 7' 4" | 7' 4" | 7' 4" |
| | | 16 | 12' 1" | 12' 1" | 12' 1" | 10' 4" | 10' 4" | 10' 4" | 9' 2" | 9' 2" | 9' 2" | 8' 4" | 8' 4" | 8' 4" | 7' 8" | 7' 8" | 7' 8" | 7' 1" | 7' 1" | 7' 1" | 6' 3" | 6' 3" | 6' 3" |
| | | 24 | 9' 9" | 9' 9" | 9' 9" | 8' 4" | 8' 4" | 8' 4" | 7' 4" | 7' 4" | 7' 4" | 6' 8" | 6' 8" | 6' 8" | 6' 1" | 6' 1" | 6' 1" | 5' 8" | 5' 8" | 5' 8" | 5' 0" | 5' 0" | 5' 0" |
| 362S137-43 | 33 | 12 | 16' 6" | 16' 6" | 15' 4" | 14' 3" | 14' 3" | 14' 0" | 12' 8" | 12' 8" | 12' 8" | 11' 6" | 11' 6" | 11' 6" | 10' 7" | 10' 7" | 10' 7" | 9' 10" | 9' 10" | 9' 10" | 8' 9" | 8' 9" | 8' 9" |
| | | 16 | 14' 3" | 14' 3" | 14' 0" | 12' 3" | 12' 3" | 12' 3" | 10' 10" | 10' 10" | 10' 10" | 9' 10" | 9' 10" | 9' 10" | 9' 1" | 9' 1" | 9' 1" | 8' 6" | 8' 6" | 8' 6" | 7' 6" | 7' 6" | 7' 6" |
| | | 24 | 11' 6" | 11' 6" | 11' 6" | 9' 10" | 9' 10" | 9' 10" | 8' 9" | 8' 9" | 8' 9" | 7' 10" | 7' 10" | 7' 10" | 7' 3" | 7' 3" | 7' 3" | 6' 9" | 6' 9" | 6' 9" | 5' 10" | 5' 10" | 5' 10" |
| 362S137-43 | 50 | 12 | 19' 2" | 18' 3" | 15' 4" | 16' 7" | 16' 7" | 14' 0" | 14' 10" | 14' 10" | 13' 0" | 13' 7" | 13' 7" | 12' 2" | 12' 6" | 12' 6" | 11' 7" | 11' 8" | 11' 8" | 11' 1" | 10' 4" | 10' 4" | 10' 3" |
| | | 16 | 16' 7" | 16' 7" | 14' 0" | 14' 4" | 14' 4" | 12' 8" | 12' 10" | 12' 10" | 11' 9" | 11' 8" | 11' 8" | 11' 1" | 10' 8" | 10' 8" | 10' 7" | 10' 0" | 10' 0" | 10' 0" | 8' 9" | 8' 9" | 8' 9" |
| | | 24 | 13' 7" | 13' 7" | 12' 2" | 11' 8" | 11' 8" | 11' 1" | 10' 4" | 10' 4" | 10' 3" | 9' 4" | 9' 4" | 9' 4" | 8' 7" | 8' 7" | 8' 7" | 8' 0" | 8' 0" | 8' 0" | 7' 0" | 7' 0" | 7' 0" |
| 362S137-54 | 50 | 12 | 22' 1" | 19' 7" | 16' 6" | 19' 2" | 17' 9" | 15' 0" | 17' 1" | 16' 6" | 13' 10" | 15' 7" | 15' 6" | 13' 1" | 14' 4" | 14' 4" | 12' 4" | 13' 4" | 13' 4" | 11' 10" | 11' 10" | 11' 10" | 11' 0" |
| | | 16 | 19' 2" | 17' 9" | 15' 0" | 16' 7" | 16' 2" | 13' 7" | 14' 9" | 14' 9" | 12' 7" | 13' 4" | 13' 4" | 11' 10" | 12' 4" | 12' 4" | 11' 3" | 11' 6" | 11' 6" | 10' 9" | 10' 2" | 10' 2" | 10' 0" |
| | | 24 | 15' 7" | 15' 6" | 13' 1" | 13' 4" | 13' 4" | 11' 10" | 11' 10" | 11' 10" | 11' 0" | 10' 9" | 10' 9" | 10' 4" | 9' 10" | 9' 10" | 9' 10" | 9' 2" | 9' 2" | 9' 2" | 8' 1" | 8' 1" | 8' 1" |
| 362S137-68 | 50 | 12 | 23' 10" | 20' 10" | 17' 7" | 21' 8" | 19' 0" | 16' 0" | 19' 4" | 17' 7" | 14' 10" | 17' 7" | 16' 7" | 14' 0" | 16' 2" | 15' 9" | 13' 3" | 15' 1" | 15' 1" | 12' 8" | 13' 4" | 13' 4" | 11' 9" |
| | | 16 | 21' 8" | 19' 0" | 16' 0" | 18' 8" | 17' 3" | 14' 7" | 16' 7" | 16' 0" | 13' 6" | 15' 1" | 15' 1" | 12' 8" | 13' 10" | 13' 10" | 12' 1" | 12' 10" | 12' 10" | 11' 7" | 11' 4" | 11' 4" | 10' 8" |
| | | 24 | 17' 7" | 16' 7" | 14' 0" | 15' 1" | 15' 1" | 12' 8" | 13' 4" | 13' 4" | 11' 9" | 12' 1" | 12' 1" | 11' 1" | 11' 1" | 11' 1" | 10' 7" | 10' 3" | 10' 3" | 10' 1" | 9' 0" | 9' 0" | 9' 0" |
| 362S137-97 | 50 | 12 | 26' 3" | 23' 0" | 19' 4" | 23' 10" | 20' 10" | 17' 7" | 22' 2" | 19' 4" | 16' 4" | 20' 10" | 18' 3" | 15' 4" | 19' 10" | 17' 3" | 14' 7" | 18' 6" | 16' 7" | 14' 0" | 16' 2" | 15' 4" | 13' 0" |
| | | 16 | 23' 10" | 20' 10" | 17' 7" | 21' 8" | 19' 0" | 16' 0" | 20' 2" | 17' 7" | 14' 10" | 18' 6" | 16' 7" | 14' 0" | 16' 10" | 15' 9" | 13' 3" | 15' 7" | 15' 1" | 12' 8" | 13' 7" | 13' 7" | 11' 9" |
| | | 24 | 20' 10" | 18' 3" | 15' 4" | 18' 6" | 16' 7" | 14' 0" | 16' 2" | 15' 4" | 13' 0" | 14' 6" | 14' 6" | 12' 2" | 13' 1" | 13' 1" | 11' 7" | 12' 1" | 12' 1" | 11' 1" | 10' 4" | 10' 4" | 10' 3" |
| 362S162-33 | 33 | 12 | 15' 0" | 15' 0" | 14' 10" | 12' 10" | 12' 10" | 12' 10" | 11' 6" | 11' 6" | 11' 6" | 10' 4" | 10' 4" | 10' 4" | 9' 7" | 9' 7" | 9' 7" | 8' 10" | 8' 10" | 8' 10" | 7' 10" | 7' 10" | 7' 10" |
| | | 16 | 12' 10" | 12' 10" | 12' 10" | 11' 1" | 11' 1" | 11' 1" | 9' 10" | 9' 10" | 9' 10" | 8' 10" | 8' 10" | 8' 10" | 8' 2" | 8' 2" | 8' 2" | 7' 7" | 7' 7" | 7' 7" | 6' 8" | 6' 8" | 6' 8" |
| | | 24 | 10' 4" | 10' 4" | 10' 4" | 8' 10" | 8' 10" | 8' 10" | 7' 10" | 7' 10" | 7' 10" | 7' 1" | 7' 1" | 7' 1" | 6' 6" | 6' 6" | 6' 6" | 6' 0" | 6' 0" | 6' 0" | 5' 2" | 5' 2" | 5' 2" |
| 362S162-43 | 33 | 12 | 17' 9" | 17' 9" | 16' 2" | 15' 3" | 15' 3" | 14' 8" | 13' 7" | 13' 7" | 13' 7" | 12' 4" | 12' 4" | 12' 4" | 11' 4" | 11' 4" | 11' 4" | 10' 7" | 10' 7" | 10' 7" | 9' 4" | 9' 4" | 9' 4" |
| | | 16 | 15' 3" | 15' 3" | 14' 8" | 13' 2" | 13' 2" | 13' 2" | 11' 8" | 11' 8" | 11' 8" | 10' 7" | 10' 7" | 10' 7" | 9' 9" | 9' 9" | 9' 9" | 9' 1" | 9' 1" | 9' 1" | 8' 0" | 8' 0" | 8' 0" |
| | | 24 | 12' 4" | 12' 4" | 12' 4" | 10' 7" | 10' 7" | 10' 7" | 9' 4" | 9' 4" | 9' 4" | 8' 6" | 8' 6" | 8' 6" | 7' 9" | 7' 9" | 7' 9" | 7' 2" | 7' 2" | 7' 2" | 6' 3" | 6' 3" | 6' 3" |
| 362S162-43 | 50 | 12 | 20' 4" | 19' 2" | 16' 2" | 17' 7" | 17' 4" | 14' 8" | 15' 8" | 15' 8" | 13' 7" | 14' 2" | 14' 2" | 12' 9" | 13' 1" | 13' 1" | 12' 2" | 12' 2" | 12' 2" | 11' 8" | 10' 9" | 10' 9" | 10' 9" |
| | | 16 | 17' 7" | 17' 4" | 14' 8" | 15' 1" | 15' 1" | 13' 3" | 13' 6" | 13' 6" | 12' 4" | 12' 2" | 12' 2" | 11' 8" | 11' 2" | 11' 2" | 11' 1" | 10' 6" | 10' 6" | 10' 6" | 9' 2" | 9' 2" | 9' 2" |
| | | 24 | 14' 2" | 14' 2" | 12' 9" | 12' 2" | 12' 2" | 11' 8" | 10' 9" | 10' 9" | 10' 9" | 9' 9" | 9' 9" | 9' 9" | 9' 0" | 9' 0" | 9' 0" | 8' 3" | 8' 3" | 8' 3" | 7' 3" | 7' 3" | 7' 3" |
| 362S162-54 | 50 | 12 | 23' 6" | 20' 6" | 17' 3" | 20' 8" | 18' 7" | 15' 8" | 18' 4" | 17' 3" | 14' 7" | 16' 9" | 16' 3" | 13' 8" | 15' 4" | 15' 4" | 13' 1" | 14' 4" | 14' 4" | 12' 6" | 12' 9" | 12' 9" | 11' 7" |
| | | 16 | 20' 8" | 18' 7" | 15' 8" | 17' 9" | 16' 10" | 14' 3" | 15' 9" | 15' 8" | 13' 3" | 14' 4" | 14' 4" | 12' 6" | 13' 2" | 13' 2" | 11' 10" | 12' 3" | 12' 3" | 11' 3" | 10' 10" | 10' 10" | 10' 6" |
| | | 24 | 16' 9" | 16' 3" | 13' 8" | 14' 4" | 14' 4" | 12' 6" | 12' 9" | 12' 9" | 11' 7" | 11' 7" | 11' 7" | 10' 10" | 10' 7" | 10' 7" | 10' 4" | 9' 9" | 9' 9" | 9' 9" | 8' 8" | 8' 8" | 8' 8" |
| 362S162-68 | 50 | 12 | 25' 1" | 22' 0" | 18' 6" | 22' 9" | 20' 0" | 16' 9" | 20' 9" | 18' 6" | 15' 7" | 18' 10" | 17' 4" | 14' 8" | 17' 4" | 16' 7" | 14' 0" | 16' 2" | 15' 9" | 13' 4" | 14' 3" | 14' 3" | 12' 4" |
| | | 16 | 22' 9" | 20' 0" | 16' 9" | 20' 1" | 18' 1" | 15' 3" | 17' 10" | 16' 9" | 14' 2" | 16' 2" | 15' 9" | 13' 4" | 14' 10" | 14' 10" | 12' 8" | 13' 9" | 13' 9" | 12' 1" | 12' 2" | 12' 2" | 11' 3" |
| | | 24 | 18' 10" | 17' 4" | 14' 8" | 16' 2" | 15' 9" | 13' 4" | 14' 3" | 14' 3" | 12' 4" | 12' 10" | 12' 10" | 11' 8" | 11' 9" | 11' 9" | 11' 1" | 11' 0" | 11' 0" | 10' 7" | 9' 7" | 9' 7" | 9' 7" |
| 362S162-97 | 50 | 12 | 27' 8" | 24' 2" | 20' 4" | 25' 2" | 22' 0" | 18' 7" | 23' 4" | 20' 4" | 17' 2" | 22' 0" | 19' 2" | 16' 2" | 20' 10" | 18' 3" | 15' 4" | 19' 6" | 17' 6" | 14' 8" | 17' 1" | 16' 2" | 13' 8" |
| | | 16 | 25' 2" | 22' 0" | 18' 7" | 22' 10" | 20' 0" | 16' 10" | 21' 3" | 18' 7" | 15' 8" | 19' 6" | 17' 6" | 14' 8" | 17' 9" | 16' 7" | 14' 0" | 16' 4" | 15' 10" | 13' 4" | 14' 2" | 14' 2" | 12' 4" |
| | | 24 | 22' 0" | 19' 2" | 16' 2" | 19' 6" | 17' 6" | 14' 8" | 17' 1" | 16' 2" | 13' 8" | 15' 2" | 15' 2" | 12' 10" | 13' 9" | 13' 9" | 12' 2" | 12' 7" | 12' 7" | 11' 8" | 10' 9" | 10' 9" | 10' 9" |
| 362S162-118 | 50 | 12 | 29' 2" | 25' 6" | 21' 6" | 26' 6" | 23' 2" | 19' 6" | 24' 7" | 21' 6" | 18' 1" | 23' 2" | 20' 2" | 17' 1" | 22' 0" | 19' 2" | 16' 2" | 20' 4" | 18' 4" | 15' 6" | 17' 8" | 17' 1" | 14' 4" |
| | | 16 | 26' 6" | 23' 2" | 19' 6" | 24' 1" | 21' 0" | 17' 9" | 22' 4" | 19' 6" | 16' 6" | 20' 4" | 18' 4" | 15' 6" | 18' 6" | 17' 6" | 14' 8" | 16' 10" | 16' 8" | 14' 1" | 14' 6" | 14' 6" | 13' 1" |
| | | 24 | 23' 2" | 20' 2" | 17' 1" | 20' 4" | 18' 4" | 15' 6" | 17' 8" | 17' 1" | 14' 4" | 15' 7" | 15' 7" | 13' 6" | 14' 0" | 14' 0" | 12' 10" | 12' 8" | 12' 8" | 12' 3" | 10' 8" | 10' 8" | 10' 8" |
| 362S200-33 | 33 | 12 | 15' 8" | 15' 8" | 15' 8" | 13' 6" | 13' 6" | 13' 6" | 12' 0" | 12' 0" | 12' 0" | 10' 10" | 10' 10" | 10' 10" | 10' 0" | 10' 0" | 10' 0" | 9' 3" | 9' 3" | 9' 3" | 8' 2" | 8' 2" | 8' 2" |
| | | 16 | 13' 6" | 13' 6" | 13' 6" | 11' 7" | 11' 7" | 11' 7" | 10' 3" | 10' 3" | 10' 3" | 9' 3" | 9' 3" | 9' 3" | 8' 6" | 8' 6" | 8' 6" | 7' 10" | 7' 10" | 7' 10" | 7' 0" | 7' 0" | 7' 0" |
| | | 24 | 10' 10" | 10' 10" | 10' 10" | 9' 3" | 9' 3" | 9' 3" | 8' 2" | 8' 2" | 8' 2" | 7' 4" | 7' 4" | 7' 4" | 6' 9" | 6' 9" | 6' 9" | 6' 2" | 6' 2" | 6' 2" | 5' 4" | 5' 4" | 5' 4" |
| 362S200-43 | 33 | 12 | 19' 0" | 19' 0" | 17' 1" | 16' 4" | 16' 4" | 15' 6" | 14' 7" | 14' 7" | 14' 4" | 13' 2" | 13' 2" | 13' 2" | 12' 2" | 12' 2" | 12' 2" | 11' 3" | 11' 3" | 11' 3" | 10' 0" | 10' 0" | 10' 0" |
| | | 16 | 16' 4" | 16' 4" | 15' 6" | 14' 1" | 14' 1" | 14' 1" | 12' 6" | 12' 6" | 12' 6" | 11' 3" | 11' 3" | 11' 3" | 10' 4" | 10' 4" | 10' 4" | 9' 7" | 9' 7" | 9' 7" | 8' 6" | 8' 6" | 8' 6" |
| | | 24 | 13' 2" | 13' 2" | 13' 2" | 11' 3" | 11' 3" | 11' 3" | 10' 0" | 10' 0" | 10' 0" | 9' 0" | 9' 0" | 9' 0" | 8' 2" | 8' 2" | | | | | | | |

CURTAINWALL LIMITING HEIGHTS - DOUBLE SPAN

| MEMBER | F _y (ksi) | SPACING (in.) o.c. | 15 psf | | | 20 psf | | | 25 psf | | | 30 psf | | | 35 psf | | | 40 psf | | | 50 psf | | |
|-------------|-------------------------|-----------------------|---------|---------|---------|---------|--------|---------|---------|---------|---------|---------|---------|---------|---------|---------|--------|---------|--------|---------|---------|---------|---------|
| | | | L/240 | L/360 | L/600 | L/240 | L/360 | L/600 | L/240 | L/360 | L/600 | L/240 | L/360 | L/600 | L/240 | L/360 | L/600 | L/240 | L/360 | L/600 | L/240 | L/360 | L/600 |
| 362S200-68 | 50 | 12 | 26' 7" | 23' 2" | 19' 7" | 24' 2" | 21' 1" | 17' 9" | 22' 3" | 19' 7" | 16' 6" | 20' 3" | 18' 4" | 15' 7" | 18' 7" | 17' 6" | 14' 9" | 17' 3" | 16' 9" | 14' 1" | 15' 3" | 15' 3" | 13' 1" |
| | | 16 | 24' 2" | 21' 1" | 17' 9" | 21' 7" | 19' 2" | 16' 2" | 19' 1" | 17' 9" | 15' 0" | 17' 3" | 16' 9" | 14' 1" | 15' 10" | 15' 10" | 13' 4" | 14' 8" | 14' 8" | 12' 9" | 13' 0" | 13' 0" | 11' 10" |
| | | 24 | 20' 3" | 18' 4" | 15' 7" | 17' 3" | 16' 9" | 14' 1" | 15' 3" | 15' 3" | 13' 1" | 13' 9" | 13' 9" | 12' 3" | 12' 7" | 12' 7" | 11' 8" | 11' 7" | 11' 7" | 11' 2" | 10' 2" | 10' 2" | 10' 2" |
| 362S200-97 | 50 | 12 | 29' 4" | 25' 8" | 21' 8" | 26' 8" | 23' 3" | 19' 8" | 24' 9" | 21' 8" | 18' 3" | 23' 3" | 20' 4" | 17' 2" | 22' 2" | 19' 4" | 16' 3" | 20' 8" | 18' 6" | 15' 7" | 18' 1" | 17' 2" | 14' 6" |
| | | 16 | 26' 8" | 23' 3" | 19' 8" | 24' 3" | 21' 2" | 17' 10" | 22' 6" | 19' 8" | 16' 7" | 20' 8" | 18' 6" | 15' 7" | 18' 10" | 17' 7" | 14' 9" | 17' 3" | 16' 9" | 14' 2" | 15' 0" | 15' 0" | 13' 2" |
| | | 24 | 23' 3" | 20' 4" | 17' 2" | 20' 8" | 18' 6" | 15' 7" | 18' 1" | 17' 2" | 14' 6" | 16' 1" | 16' 1" | 13' 8" | 14' 6" | 14' 6" | 13' 0" | 13' 2" | 13' 2" | 12' 4" | 11' 3" | 11' 3" | 11' 3" |
| 362S200-118 | 50 | 12 | 31' 0" | 27' 1" | 22' 10" | 28' 2" | 24' 7" | 20' 9" | 26' 2" | 22' 10" | 19' 3" | 24' 7" | 21' 6" | 18' 1" | 23' 4" | 20' 4" | 17' 2" | 21' 7" | 19' 6" | 16' 6" | 18' 7" | 18' 1" | 15' 3" |
| | | 16 | 28' 2" | 24' 7" | 20' 9" | 25' 7" | 22' 4" | 18' 10" | 23' 9" | 20' 9" | 17' 6" | 21' 7" | 19' 6" | 16' 6" | 19' 6" | 18' 7" | 15' 8" | 17' 9" | 17' 9" | 15' 0" | 15' 1" | 15' 1" | 13' 10" |
| | | 24 | 24' 7" | 21' 6" | 18' 1" | 21' 7" | 19' 6" | 16' 6" | 18' 7" | 18' 1" | 15' 3" | 16' 3" | 16' 3" | 14' 4" | 14' 7" | 14' 7" | 13' 8" | 13' 2" | 13' 2" | 13' 1" | 11' 0" | 11' 0" | 11' 0" |
| 362S250-33 | 33 | 12 | 16' 3" | 16' 3" | 16' 3" | 14' 0" | 14' 0" | 14' 0" | 12' 4" | 12' 4" | 12' 4" | 11' 3" | 11' 3" | 11' 3" | 10' 3" | 10' 3" | 10' 3" | 9' 7" | 9' 7" | 9' 7" | 8' 6" | 8' 6" | 8' 6" |
| | | 16 | 14' 0" | 14' 0" | 14' 0" | 12' 0" | 12' 0" | 12' 0" | 10' 7" | 10' 7" | 10' 7" | 9' 7" | 9' 7" | 9' 7" | 8' 9" | 8' 9" | 8' 9" | 8' 2" | 8' 2" | 8' 2" | 7' 2" | 7' 2" | 7' 2" |
| | | 24 | 11' 3" | 11' 3" | 11' 3" | 9' 7" | 9' 7" | 9' 7" | 8' 6" | 8' 6" | 8' 6" | 7' 7" | 7' 7" | 7' 7" | 6' 10" | 6' 10" | 6' 10" | 6' 4" | 6' 4" | 6' 4" | 5' 7" | 5' 7" | 5' 7" |
| 362S250-43 | 33 | 12 | 19' 6" | 19' 6" | 18' 0" | 16' 9" | 16' 9" | 16' 4" | 14' 10" | 14' 10" | 14' 10" | 13' 6" | 13' 6" | 13' 6" | 12' 4" | 12' 4" | 12' 4" | 11' 7" | 11' 7" | 11' 7" | 10' 2" | 10' 2" | 10' 2" |
| | | 16 | 16' 9" | 16' 9" | 16' 4" | 14' 4" | 14' 4" | 14' 4" | 12' 9" | 12' 9" | 12' 9" | 11' 7" | 11' 7" | 11' 7" | 10' 7" | 10' 7" | 10' 7" | 9' 9" | 9' 9" | 9' 9" | 8' 8" | 8' 8" | 8' 8" |
| | | 24 | 13' 6" | 13' 6" | 13' 6" | 11' 7" | 11' 7" | 11' 7" | 10' 2" | 10' 2" | 10' 2" | 9' 2" | 9' 2" | 9' 2" | 8' 4" | 8' 4" | 8' 4" | 7' 9" | 7' 9" | 7' 9" | 6' 9" | 6' 9" | 6' 9" |
| 362S250-43 | 50 | 12 | 22' 4" | 21' 1" | 17' 9" | 19' 3" | 19' 1" | 16' 2" | 17' 2" | 17' 2" | 15' 0" | 15' 7" | 15' 7" | 14' 1" | 14' 4" | 14' 4" | 13' 4" | 13' 4" | 13' 4" | 12' 9" | 11' 9" | 11' 9" | 11' 9" |
| | | 16 | 19' 3" | 19' 1" | 16' 2" | 16' 7" | 16' 7" | 14' 8" | 14' 8" | 14' 8" | 13' 7" | 13' 4" | 13' 4" | 12' 9" | 12' 3" | 12' 3" | 12' 2" | 11' 4" | 11' 4" | 11' 4" | 10' 1" | 10' 1" | 10' 1" |
| | | 24 | 15' 7" | 15' 7" | 14' 1" | 13' 4" | 13' 4" | 12' 9" | 11' 9" | 11' 9" | 11' 9" | 10' 8" | 10' 8" | 10' 8" | 9' 9" | 9' 9" | 9' 9" | 9' 0" | 9' 0" | 9' 0" | 7' 10" | 7' 10" | 7' 10" |
| 362S250-54 | 50 | 12 | 25' 9" | 22' 9" | 19' 2" | 22' 2" | 20' 8" | 17' 6" | 19' 9" | 19' 2" | 16' 2" | 18' 0" | 18' 0" | 15' 3" | 16' 7" | 16' 7" | 14' 6" | 15' 4" | 15' 4" | 13' 10" | 13' 7" | 13' 7" | 12' 10" |
| | | 16 | 22' 2" | 20' 8" | 17' 6" | 19' 1" | 18' 9" | 15' 10" | 17' 0" | 17' 0" | 14' 8" | 15' 4" | 15' 4" | 13' 10" | 14' 2" | 14' 2" | 13' 2" | 13' 2" | 13' 2" | 12' 7" | 11' 7" | 11' 7" | 11' 7" |
| | | 24 | 18' 0" | 18' 0" | 15' 3" | 15' 4" | 15' 4" | 13' 10" | 13' 7" | 13' 7" | 12' 10" | 12' 3" | 12' 3" | 12' 1" | 11' 3" | 11' 3" | 11' 3" | 10' 6" | 10' 6" | 10' 6" | 9' 2" | 9' 2" | 9' 2" |
| 362S250-68 | 50 | 12 | 28' 1" | 24' 6" | 20' 8" | 25' 6" | 22' 3" | 18' 9" | 22' 8" | 20' 8" | 17' 6" | 20' 7" | 19' 6" | 16' 4" | 18' 10" | 18' 6" | 15' 7" | 17' 7" | 17' 7" | 14' 10" | 15' 6" | 15' 6" | 13' 10" |
| | | 16 | 25' 6" | 22' 3" | 18' 9" | 21' 10" | 20' 3" | 17' 1" | 19' 4" | 18' 9" | 15' 10" | 17' 7" | 17' 7" | 14' 10" | 16' 1" | 16' 1" | 14' 2" | 15' 0" | 15' 0" | 13' 7" | 13' 1" | 13' 1" | 12' 7" |
| | | 24 | 20' 7" | 19' 6" | 16' 4" | 17' 7" | 17' 7" | 14' 10" | 15' 6" | 15' 6" | 13' 10" | 14' 0" | 14' 0" | 13' 0" | 12' 9" | 12' 9" | 12' 4" | 11' 9" | 11' 9" | 11' 9" | 10' 3" | 10' 3" | 10' 3" |
| 362S250-97 | 50 | 12 | 31' 1" | 27' 2" | 22' 10" | 28' 3" | 24' 8" | 20' 9" | 26' 2" | 22' 10" | 19' 3" | 24' 8" | 21' 7" | 18' 2" | 23' 3" | 20' 6" | 17' 3" | 21' 6" | 19' 7" | 16' 6" | 18' 8" | 18' 2" | 15' 3" |
| | | 16 | 28' 3" | 24' 8" | 20' 9" | 25' 8" | 22' 4" | 18' 10" | 23' 9" | 20' 9" | 17' 7" | 21' 6" | 19' 7" | 16' 6" | 19' 6" | 18' 7" | 15' 8" | 17' 10" | 17' 9" | 15' 0" | 15' 4" | 15' 4" | 13' 10" |
| | | 24 | 24' 8" | 21' 7" | 18' 2" | 21' 6" | 19' 7" | 16' 6" | 18' 8" | 18' 2" | 15' 3" | 16' 7" | 16' 7" | 14' 4" | 14' 10" | 14' 10" | 13' 8" | 13' 7" | 13' 7" | 13' 1" | 11' 6" | 11' 6" | 11' 6" |
| 362S250-118 | 50 | 12 | 32' 10" | 28' 8" | 24' 2" | 29' 10" | 26' 1" | 22' 0" | 27' 8" | 24' 2" | 20' 4" | 26' 1" | 22' 9" | 19' 2" | 24' 6" | 21' 7" | 18' 3" | 22' 6" | 20' 8" | 17' 6" | 19' 2" | 19' 2" | 16' 2" |
| | | 16 | 29' 10" | 26' 1" | 22' 0" | 27' 1" | 23' 8" | 20' 0" | 25' 2" | 22' 0" | 18' 7" | 22' 6" | 20' 8" | 17' 6" | 20' 2" | 19' 8" | 16' 7" | 18' 4" | 18' 4" | 15' 10" | 15' 7" | 15' 7" | 14' 8" |
| | | 24 | 26' 1" | 22' 9" | 19' 2" | 22' 6" | 20' 8" | 17' 6" | 19' 2" | 19' 2" | 16' 2" | 16' 10" | 16' 10" | 15' 3" | 15' 0" | 15' 0" | 14' 6" | 13' 6" | 13' 6" | 13' 6" | 11' 3" | 11' 3" | 11' 3" |
| 400S137-33 | 33 | 12 | 14' 10" | 14' 10" | 14' 10" | 12' 9" | 12' 9" | 12' 9" | 11' 4" | 11' 4" | 11' 4" | 10' 4" | 10' 4" | 10' 4" | 9' 7" | 9' 7" | 9' 7" | 8' 10" | 8' 10" | 8' 10" | 7' 10" | 7' 10" | 7' 10" |
| | | 16 | 12' 9" | 12' 9" | 12' 9" | 11' 0" | 11' 0" | 11' 0" | 9' 9" | 9' 9" | 9' 9" | 8' 10" | 8' 10" | 8' 10" | 8' 2" | 8' 2" | 8' 2" | 7' 7" | 7' 7" | 7' 7" | 6' 8" | 6' 8" | 6' 8" |
| | | 24 | 10' 4" | 10' 4" | 10' 4" | 8' 10" | 8' 10" | 8' 10" | 7' 10" | 7' 10" | 7' 10" | 7' 1" | 7' 1" | 7' 1" | 6' 6" | 6' 6" | 6' 6" | 6' 1" | 6' 1" | 6' 1" | 5' 3" | 5' 3" | 5' 3" |
| 400S137-43 | 33 | 12 | 17' 7" | 17' 7" | 16' 7" | 15' 2" | 15' 2" | 15' 1" | 13' 6" | 13' 6" | 13' 6" | 12' 3" | 12' 3" | 12' 3" | 11' 3" | 11' 3" | 11' 3" | 10' 7" | 10' 7" | 10' 7" | 9' 4" | 9' 4" | 9' 4" |
| | | 16 | 15' 2" | 15' 2" | 15' 1" | 13' 1" | 13' 1" | 13' 1" | 11' 7" | 11' 7" | 11' 7" | 10' 7" | 10' 7" | 10' 7" | 9' 8" | 9' 8" | 9' 8" | 9' 1" | 9' 1" | 9' 1" | 8' 0" | 8' 0" | 8' 0" |
| | | 24 | 12' 3" | 12' 3" | 12' 3" | 10' 7" | 10' 7" | 10' 7" | 9' 4" | 9' 4" | 9' 4" | 8' 6" | 8' 6" | 8' 6" | 7' 9" | 7' 9" | 7' 9" | 7' 3" | 7' 3" | 7' 3" | 6' 4" | 6' 4" | 6' 4" |
| 400S137-43 | 50 | 12 | 20' 3" | 19' 8" | 16' 7" | 17' 7" | 17' 7" | 15' 1" | 15' 8" | 15' 8" | 14' 0" | 14' 4" | 14' 4" | 13' 2" | 13' 3" | 13' 3" | 12' 7" | 12' 4" | 12' 4" | 12' 0" | 11' 0" | 11' 0" | 11' 0" |
| | | 16 | 17' 7" | 17' 7" | 15' 1" | 15' 2" | 15' 2" | 13' 8" | 13' 7" | 13' 7" | 12' 9" | 12' 4" | 12' 4" | 12' 0" | 11' 6" | 11' 6" | 11' 4" | 10' 8" | 10' 8" | 10' 8" | 9' 6" | 9' 6" | 9' 6" |
| | | 24 | 14' 4" | 14' 4" | 13' 2" | 12' 4" | 12' 4" | 12' 0" | 11' 0" | 11' 0" | 11' 0" | 10' 0" | 10' 0" | 10' 0" | 9' 2" | 9' 2" | 9' 2" | 8' 7" | 8' 7" | 8' 7" | 7' 7" | 7' 7" | 7' 7" |
| 400S137-54 | 50 | 12 | 23' 6" | 21' 1" | 17' 9" | 20' 3" | 19' 2" | 16' 2" | 18' 2" | 17' 9" | 15' 0" | 16' 7" | 16' 7" | 14' 2" | 15' 3" | 15' 3" | 13' 4" | 14' 3" | 14' 3" | 12' 10" | 12' 8" | 12' 8" | 11' 10" |
| | | 16 | 20' 3" | 19' 2" | 16' 2" | 17' 7" | 17' 4" | 14' 8" | 15' 8" | 15' 8" | 13' 8" | 14' 3" | 14' 3" | 12' 10" | 13' 2" | 13' 2" | 12' 2" | 12' 3" | 12' 3" | 11' 8" | 10' 10" | 10' 10" | 10' 9" |
| | | 24 | 16' 7" | 16' 7" | 14' 2" | 14' 3" | 14' 3" | 12' 10" | 12' 8" | 12' 8" | 11' 10" | 11' 6" | 11' 6" | 11' 2" | 10' 7" | 10' 7" | 10' 7" | 9' 10" | 9' 10" | 9' 10" | 8' 8" | 8' 8" | 8' 8" |
| 400S137-68 | 50 | 12 | 25' 10" | 22' 7" | 19' 1" | 23' 3" | 20' 6" | 17' 3" | 20' 9" | 19' 1" | 16' 1" | 18' 10" | 17' 10" | 15' 1" | 17' 6" | 17' 0" | 14' 4" | 16' 3" | 16' 3" | 13' 8" | 14' 6" | 14' 6" | 12' 9" |
| | | 16 | 23' 3" | 20' 6" | 17' 3" | 20' 1" | 18' 8" | 15' 8" | 17' 10" | 17' 3" | 14' 7" | 16' 3" | 16' 3" | 13' 8" | 15' 0" | 15' 0" | 13' 1" | 14' 0" | 14' 0" | 12' 6" | 12' 4" | 12' 4" | 11' 7" |
| | | 24 | 18' 10" | 17' 10" | 15' 1" | 16' 3" | 16' 3" | 13' 8" | 14' 6" | 14' 6" | 12' 9" | 13' 1" | 13' 1" | 12' 0" | 12' 1" | 12' 1" | 11' 4" | 11' 3" | 11' 3" | 10' 10" | 9' 10" | 9' 10" | 9' 10" |
| 400S162-33 | 33 | 12 | 15' 10" | 15' 10" | 15' 10" | 13' 8" | 13' 8" | 13' 8" | 12' 2" | 12' 2" | 12' 2" | 11' 1" | 11' 1" | 11' 1" | 10' 2" | 10' 2" | 10' 2" | 9' 6" | 9' 6" | 9' 6" | 8' 4" | 8' 4" | 8' 4" |
| | | 16 | 13' 8" | 13' 8" | 1 | | | | | | | | | | | | | | | | | | |

CURTAINWALL LIMITING HEIGHTS - DOUBLE SPAN

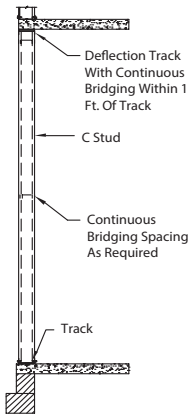
| MEMBER | F _y (ksi) | SPACING (in.) o.c. | 15 psf | | | 20 psf | | | 25 psf | | | 30 psf | | | 35 psf | | | 40 psf | | | 50 psf | | |
|-------------|-------------------------|-----------------------|---------|---------|---------|---------|---------|---------|---------|---------|---------|---------|---------|---------|---------|---------|---------|---------|---------|----------|---------|---------|---------|
| | | | L/240 | L/360 | L/600 | L/240 | L/360 | L/600 | L/240 | L/360 | L/600 | L/240 | L/360 | L/600 | L/240 | L/360 | L/600 | L/240 | L/360 | L/600 | L/240 | L/360 | L/600 |
| 400S200-43 | 50 | 12 | 23' 4" | 21' 9" | 18' 4" | 20' 2" | 19' 9" | 16' 8" | 18' 0" | 18' 0" | 15' 6" | 16' 3" | 16' 3" | 14' 7" | 15' 1" | 15' 1" | 13' 10" | 14' 0" | 14' 0" | 13' 3" | 12' 4" | 12' 4" | 12' 3" |
| | | 16 | 20' 2" | 19' 9" | 16' 8" | 17' 4" | 17' 4" | 15' 2" | 15' 6" | 15' 6" | 14' 1" | 14' 0" | 14' 0" | 13' 3" | 12' 10" | 12' 10" | 12' 7" | 12' 0" | 12' 0" | 12' 0" | 10' 7" | 10' 7" | 10' 7" |
| | | 24 | 16' 3" | 16' 3" | 14' 7" | 14' 0" | 14' 0" | 13' 3" | 12' 4" | 12' 4" | 12' 3" | 11' 3" | 11' 3" | 11' 3" | 10' 3" | 10' 3" | 10' 3" | 9' 7" | 9' 7" | 9' 7" | 8' 4" | 8' 4" | 8' 4" |
| 400S200-54 | 50 | 12 | 26' 8" | 23' 4" | 19' 8" | 23' 1" | 21' 3" | 17' 10" | 20' 7" | 19' 8" | 16' 7" | 18' 8" | 18' 7" | 15' 8" | 17' 3" | 17' 3" | 14' 10" | 16' 1" | 16' 1" | 14' 2" | 14' 3" | 14' 3" | 13' 2" |
| | | 16 | 23' 1" | 21' 3" | 17' 10" | 19' 10" | 19' 3" | 16' 3" | 17' 8" | 17' 8" | 15' 1" | 16' 1" | 16' 1" | 14' 2" | 14' 9" | 14' 9" | 13' 6" | 13' 9" | 13' 9" | 12' 10" | 12' 2" | 12' 2" | 12' 0" |
| | | 24 | 18' 8" | 18' 7" | 15' 8" | 16' 1" | 16' 1" | 14' 2" | 14' 3" | 14' 3" | 13' 2" | 12' 10" | 12' 10" | 12' 4" | 11' 10" | 11' 10" | 11' 9" | 11' 1" | 11' 1" | 11' 1" | 9' 8" | 9' 8" | 9' 8" |
| 400S200-68 | 50 | 12 | 28' 8" | 25' 1" | 21' 1" | 26' 1" | 22' 9" | 19' 2" | 24' 0" | 21' 1" | 17' 9" | 21' 9" | 19' 10" | 16' 9" | 20' 1" | 18' 10" | 15' 10" | 18' 8" | 18' 1" | 15' 2" | 16' 7" | 16' 7" | 14' 2" |
| | | 16 | 26' 1" | 22' 9" | 19' 2" | 23' 2" | 20' 8" | 17' 6" | 20' 7" | 19' 2" | 16' 2" | 18' 8" | 18' 1" | 15' 2" | 17' 3" | 17' 2" | 14' 6" | 16' 1" | 16' 1" | 13' 10" | 14' 2" | 14' 2" | 12' 10" |
| | | 24 | 21' 9" | 19' 10" | 16' 9" | 18' 8" | 18' 1" | 15' 2" | 16' 7" | 16' 7" | 14' 2" | 15' 1" | 15' 1" | 13' 3" | 13' 9" | 13' 9" | 12' 8" | 12' 9" | 12' 9" | 12' 1" | 11' 3" | 11' 3" | 11' 2" |
| 400S200-97 | 50 | 12 | 31' 9" | 27' 8" | 23' 4" | 28' 10" | 25' 2" | 21' 3" | 26' 9" | 23' 4" | 19' 8" | 25' 2" | 22' 0" | 18' 7" | 23' 10" | 20' 10" | 17' 7" | 22' 10" | 20' 0" | 16' 10" | 20' 4" | 18' 7" | 15' 8" |
| | | 16 | 28' 10" | 25' 2" | 21' 3" | 26' 2" | 22' 10" | 19' 3" | 24' 3" | 21' 3" | 17' 10" | 22' 10" | 20' 0" | 16' 10" | 21' 2" | 19' 0" | 16' 0" | 19' 7" | 18' 2" | 15' 3" | 17' 2" | 16' 10" | 14' 2" |
| | | 24 | 25' 2" | 22' 0" | 18' 7" | 22' 10" | 20' 0" | 16' 10" | 20' 4" | 18' 7" | 15' 8" | 18' 3" | 17' 6" | 14' 8" | 16' 8" | 16' 7" | 14' 0" | 15' 4" | 15' 4" | 13' 4" | 13' 3" | 13' 3" | 12' 4" |
| 400S200-118 | 50 | 12 | 33' 6" | 29' 3" | 24' 8" | 30' 4" | 26' 7" | 22' 4" | 28' 3" | 24' 8" | 20' 9" | 26' 7" | 23' 2" | 19' 7" | 25' 3" | 22' 1" | 18' 7" | 24' 2" | 21' 1" | 17' 9" | 21' 7" | 19' 7" | 16' 6" |
| | | 16 | 30' 4" | 26' 7" | 22' 4" | 27' 8" | 24' 2" | 20' 4" | 25' 8" | 22' 4" | 18' 10" | 24' 2" | 21' 1" | 17' 9" | 22' 6" | 20' 1" | 16' 10" | 20' 9" | 19' 2" | 16' 2" | 18' 0" | 17' 9" | 15' 0" |
| | | 24 | 26' 7" | 23' 2" | 19' 7" | 24' 2" | 21' 1" | 17' 9" | 21' 7" | 19' 7" | 16' 6" | 19' 3" | 18' 4" | 15' 7" | 17' 4" | 17' 4" | 14' 9" | 16' 0" | 16' 0" | 14' 1" | 13' 8" | 13' 8" | 13' 1" |
| 400S250-33 | 33 | 12 | 17' 2" | 17' 2" | 17' 2" | 14' 9" | 14' 9" | 14' 9" | 13' 2" | 13' 2" | 13' 2" | 12' 0" | 12' 0" | 12' 0" | 11' 0" | 11' 0" | 11' 0" | 10' 2" | 10' 2" | 10' 2" | 9' 0" | 9' 0" | 9' 0" |
| | | 16 | 14' 9" | 14' 9" | 14' 9" | 12' 8" | 12' 8" | 12' 8" | 11' 3" | 11' 3" | 11' 3" | 10' 2" | 10' 2" | 10' 2" | 9' 4" | 9' 4" | 9' 4" | 8' 8" | 8' 8" | 8' 8" | 7' 8" | 7' 8" | 7' 8" |
| | | 24 | 12' 0" | 12' 0" | 12' 0" | 10' 2" | 10' 2" | 10' 2" | 9' 0" | 9' 0" | 9' 0" | 8' 1" | 8' 1" | 8' 1" | 7' 4" | 7' 4" | 7' 4" | 6' 10" | 6' 10" | 6' 10" | 6' 0" | 6' 0" | 6' 0" |
| 400S250-43 | 33 | 12 | 20' 8" | 20' 8" | 19' 4" | 17' 9" | 17' 9" | 17' 7" | 15' 10" | 15' 10" | 15' 10" | 14' 4" | 14' 4" | 14' 4" | 13' 3" | 13' 3" | 13' 3" | 12' 4" | 12' 4" | 12' 4" | 11' 0" | 11' 0" | 11' 0" |
| | | 16 | 17' 9" | 17' 9" | 17' 7" | 15' 3" | 15' 3" | 15' 3" | 13' 7" | 13' 7" | 13' 7" | 12' 4" | 12' 4" | 12' 4" | 11' 4" | 11' 4" | 11' 4" | 10' 7" | 10' 7" | 10' 7" | 9' 3" | 9' 3" | 9' 3" |
| | | 24 | 14' 4" | 14' 4" | 14' 4" | 12' 4" | 12' 4" | 12' 4" | 11' 0" | 11' 0" | 11' 0" | 9' 10" | 9' 10" | 9' 10" | 9' 1" | 9' 1" | 9' 1" | 8' 4" | 8' 4" | 8' 4" | 7' 4" | 7' 4" | 7' 4" |
| 400S250-43 | 50 | 12 | 23' 9" | 22' 8" | 19' 1" | 20' 6" | 20' 6" | 17' 4" | 18' 3" | 18' 3" | 16' 1" | 16' 7" | 16' 7" | 15' 2" | 15' 3" | 15' 3" | 14' 4" | 14' 3" | 14' 3" | 13' 9" | 12' 7" | 12' 7" | 12' 7" |
| | | 16 | 20' 6" | 20' 6" | 17' 4" | 17' 8" | 17' 8" | 15' 9" | 15' 8" | 15' 8" | 14' 8" | 14' 3" | 14' 3" | 13' 9" | 13' 1" | 13' 1" | 13' 1" | 12' 2" | 12' 2" | 12' 2" | 10' 9" | 10' 9" | 10' 9" |
| | | 24 | 16' 7" | 16' 7" | 15' 2" | 14' 3" | 14' 3" | 13' 9" | 12' 7" | 12' 7" | 12' 7" | 11' 4" | 11' 4" | 11' 4" | 10' 6" | 10' 6" | 10' 6" | 9' 8" | 9' 8" | 9' 8" | 8' 7" | 8' 7" | 8' 7" |
| 400S250-54 | 50 | 12 | 27' 4" | 24' 7" | 20' 8" | 23' 7" | 22' 3" | 17' 6" | 21' 0" | 20' 8" | 17' 6" | 19' 1" | 19' 1" | 16' 4" | 17' 8" | 17' 8" | 15' 7" | 16' 4" | 16' 4" | 14' 10" | 14' 7" | 14' 7" | 13' 10" |
| | | 16 | 23' 7" | 22' 3" | 18' 9" | 20' 3" | 20' 3" | 17' 1" | 18' 1" | 18' 1" | 15' 10" | 16' 4" | 16' 4" | 14' 10" | 15' 2" | 15' 2" | 14' 2" | 14' 1" | 14' 1" | 13' 7" | 12' 6" | 12' 6" | 12' 6" |
| | | 24 | 19' 1" | 19' 1" | 16' 4" | 16' 4" | 16' 4" | 14' 10" | 14' 7" | 14' 7" | 13' 10" | 13' 2" | 13' 2" | 13' 1" | 12' 2" | 12' 2" | 12' 2" | 11' 3" | 11' 3" | 11' 3" | 9' 10" | 9' 10" | 9' 10" |
| 400S250-68 | 50 | 12 | 30' 3" | 26' 4" | 22' 3" | 27' 4" | 24' 0" | 20' 3" | 24' 4" | 22' 3" | 18' 9" | 22' 2" | 21' 0" | 17' 8" | 20' 4" | 19' 10" | 17' 8" | 17' 6" | 17' 6" | 15' 3" | 16' 10" | 16' 10" | 14' 10" |
| | | 16 | 27' 4" | 24' 0" | 20' 3" | 23' 7" | 21' 9" | 18' 4" | 21' 0" | 20' 3" | 17' 1" | 19' 0" | 19' 0" | 16' 1" | 17' 6" | 17' 6" | 15' 3" | 16' 3" | 16' 3" | 14' 7" | 14' 4" | 14' 4" | 13' 7" |
| | | 24 | 22' 2" | 21' 0" | 17' 8" | 19' 0" | 19' 0" | 16' 1" | 16' 10" | 16' 10" | 14' 10" | 15' 3" | 15' 3" | 14' 0" | 14' 0" | 14' 0" | 13' 3" | 13' 0" | 13' 0" | 12' 9" | 11' 6" | 11' 6" | 11' 6" |
| 400S250-97 | 50 | 12 | 33' 7" | 29' 3" | 24' 8" | 30' 6" | 26' 7" | 22' 6" | 28' 3" | 24' 8" | 20' 10" | 26' 7" | 23' 3" | 19' 7" | 25' 3" | 22' 1" | 18' 7" | 24' 1" | 21' 1" | 17' 9" | 21' 1" | 19' 7" | 16' 7" |
| | | 16 | 30' 6" | 26' 7" | 22' 6" | 27' 8" | 24' 2" | 20' 4" | 25' 8" | 22' 6" | 18' 10" | 24' 1" | 21' 1" | 17' 9" | 22' 0" | 20' 1" | 16' 10" | 20' 4" | 19' 2" | 16' 2" | 17' 9" | 17' 9" | 15' 0" |
| | | 24 | 26' 7" | 23' 3" | 19' 7" | 24' 1" | 21' 1" | 17' 9" | 21' 1" | 19' 7" | 16' 7" | 19' 0" | 18' 6" | 15' 7" | 17' 3" | 17' 3" | 14' 9" | 15' 10" | 15' 10" | 14' 2" | 13' 8" | 13' 8" | 13' 1" |
| 400S250-118 | 50 | 12 | 35' 6" | 31' 0" | 26' 1" | 32' 2" | 28' 1" | 23' 8" | 29' 10" | 26' 1" | 22' 0" | 28' 1" | 24' 7" | 20' 8" | 26' 8" | 23' 4" | 19' 8" | 25' 7" | 22' 3" | 18' 9" | 22' 6" | 20' 8" | 17' 6" |
| | | 16 | 32' 2" | 28' 1" | 23' 8" | 29' 3" | 25' 7" | 21' 7" | 27' 2" | 23' 8" | 20' 0" | 25' 7" | 22' 3" | 18' 9" | 23' 6" | 21' 2" | 17' 10" | 21' 7" | 20' 3" | 17' 1" | 18' 8" | 18' 8" | 15' 10" |
| | | 24 | 28' 1" | 24' 7" | 20' 8" | 25' 7" | 22' 3" | 18' 9" | 22' 6" | 20' 8" | 17' 6" | 20' 0" | 19' 6" | 16' 6" | 18' 1" | 18' 1" | 15' 7" | 16' 6" | 16' 6" | 15' 0" | 14' 1" | 14' 1" | 13' 10" |
| 600S137-33 | 33 | 12 | 18' 7" | 18' 7" | 18' 7" | 16' 1" | 16' 1" | 16' 1" | 14' 4" | 14' 4" | 14' 4" | 13' 1" | 13' 1" | 13' 1" | 12' 2" | 12' 2" | 12' 2" | 11' 4" | 11' 4" | 11' 4" | 10' 2" | 10' 2" | 10' 2" |
| | | 16 | 16' 1" | 16' 1" | 16' 1" | 13' 10" | 13' 10" | 13' 10" | 12' 6" | 12' 6" | 12' 6" | 11' 4" | 11' 4" | 11' 4" | 10' 6" | 10' 6" | 10' 6" | 9' 9" | 9' 9" | 9' 9" | 8' 7" | 8' 7" | 8' 7" |
| | | 24 | 13' 1" | 13' 1" | 13' 1" | 11' 4" | 11' 4" | 11' 4" | 10' 2" | 10' 2" | 10' 2" | 9' 2" | 9' 2" | 9' 2" | 8' 4" | 8' 4" | 8' 4" | 7' 8" | 7' 8" | 7' 8" | 6' 8" | 6' 8" | 6' 8" |
| 600S137-43 | 33 | 12 | 22' 3" | 22' 3" | 22' 3" | 19' 3" | 19' 3" | 19' 3" | 17' 3" | 17' 3" | 17' 3" | 15' 9" | 15' 9" | 15' 9" | 14' 7" | 14' 7" | 14' 7" | 13' 7" | 13' 7" | 13' 7" | 12' 2" | 12' 2" | 12' 2" |
| | | 16 | 19' 3" | 19' 3" | 19' 3" | 16' 8" | 16' 8" | 16' 8" | 14' 10" | 14' 10" | 14' 10" | 13' 7" | 13' 7" | 13' 7" | 12' 7" | 12' 7" | 12' 7" | 11' 9" | 11' 9" | 11' 9" | 10' 7" | 10' 7" | 10' 7" |
| | | 24 | 15' 9" | 15' 9" | 15' 9" | 13' 7" | 13' 7" | 13' 7" | 12' 2" | 12' 2" | 12' 2" | 11' 1" | 11' 1" | 11' 1" | 10' 3" | 10' 3" | 10' 3" | 9' 7" | 9' 7" | 9' 7" | 8' 7" | 8' 7" | 8' 7" |
| 600S137-43 | 50 | 12 | 25' 4" | 25' 4" | 22' 10" | 22' 0" | 22' 0" | 20' 9" | 19' 8" | 19' 8" | 18' 0" | 18' 0" | 18' 0" | 16' 8" | 16' 8" | 16' 8" | 15' 7" | 15' 7" | 15' 7" | 14' 4" | 14' 4" | 14' 4" | |
| | | 16 | 22' 0" | 22' 0" | 20' 9" | 19' 1" | 19' 1" | 18' 10" | 17' 1" | 17' 1" | 17' 1" | 15' 7" | 15' 7" | 15' 7" | 14' 4" | 14' 4" | 14' 4" | 13' 6" | 13' 6" | 13' 6" | 12' 1" | 12' 1" | 12' 1" |
| | | 24 | 18' 0" | 18' 0" | 18' 0" | 15' 7" | 15' 7" | 15' 7" | 13' 10" | 13' 10" | 13' 10" | 12' 8" | 12' 8" | 12' 8" | 11' 9" | 11' 9" | 11' 9" | 11' 0" | 11' 0" | 11' 0" | 9' 10" | 9' 10" | 9' 10" |
| 600S137-54 | 50 | 12 | 29' 8" | 29' 2" | 24' 7" | 25' 8" | 25' 8" | 22' 4" | 23' 0" | 23' 0" | 20' 9" | 21' 0" | 21' 0" | 19' 7" | 19' 6" | 19' 6" | 18' 7" | 18' 2" | 18' 2" | 17' 9"</ | | | |

CURTAINWALL LIMITING HEIGHTS - DOUBLE SPAN

| MEMBER | F _y (ksi) | SPACING (in.) o.c. | 15 psf | | | 20 psf | | | 25 psf | | | 30 psf | | | 35 psf | | | 40 psf | | | 50 psf | | | | | | | | | | | | | | | | | | | | | | | | | | | | | | | | | | | | | | | | | | | | | | | | | | | | | |
|-------------|-------------------------|-----------------------|-------------|--------|--------|---------|---------|---------|---------|---------|---------|---------|--------|---------|---------|---------|---------|---------|---------|---------|---------|---------|---------|---------|---------|---------|--------|---------|---------|---------|---------|--------|---------|---------|---------|---------|---------|---------|---------|---------|---------|---------|---------|---------|---------|---------|---------|---------|--------|--------|--------|---------|---------|---------|---------|--------|--------|---------|---------|---------|---------|---------|---------|---------|---------|---------|--------|--------|--------|--------|--------|--------|--------|--------|
| | | | L/240 | L/360 | L/600 | L/240 | L/360 | L/600 | L/240 | L/360 | L/600 | L/240 | L/360 | L/600 | L/240 | L/360 | L/600 | L/240 | L/360 | L/600 | L/240 | L/360 | L/600 | | | | | | | | | | | | | | | | | | | | | | | | | | | | | | | | | | | | | | | | | | | | | | | | | | | |
| | | | 600S162-118 | 50 | 12 | 43' 9" | 38' 3" | 32' 3" | 39' 9" | 34' 9" | 29' 3" | 36' 10" | 32' 3" | 27' 2" | 34' 9" | 30' 4" | 25' 7" | 33' 0" | 28' 9" | 24' 3" | 31' 7" | 27' 7" | 23' 3" | 29' 3" | 25' 7" | 21' 7" | 16 | 39' 9" | 34' 9" | 29' 3" | 36' 2" | 31' 7" | 26' 7" | 33' 7" | 29' 3" | 24' 8" | 31' 7" | 27' 7" | 23' 3" | 30' 0" | 26' 2" | 22' 1" | 28' 8" | 25' 1" | 21' 1" | 25' 8" | 23' 3" | 19' 7" | 24 | 34' 9" | 30' 4" | 25' 7" | 31' 7" | 27' 7" | 23' 3" | 29' 3" | 25' 7" | 21' 7" | 27' 1" | 24' 1" | 20' 3" | 25' 0" | 22' 10" | 19' 3" | 23' 3" | 21' 10" | 18' 6" | 20' 8" | 20' 3" | 17' 1" | | | | |
| 600S200-33 | 33 | 12 | 21' 6" | 21' 6" | 21' 6" | 18' 7" | 18' 7" | 18' 7" | 16' 8" | 16' 8" | 16' 8" | 16' 8" | 16' 8" | 16' 8" | 15' 2" | 15' 2" | 15' 2" | 14' 1" | 14' 1" | 14' 1" | 13' 2" | 13' 2" | 13' 2" | 11' 7" | 11' 7" | 11' 7" | 16 | 18' 7" | 18' 7" | 18' 7" | 16' 1" | 16' 1" | 16' 1" | 14' 4" | 14' 4" | 14' 4" | 13' 2" | 13' 2" | 13' 2" | 12' 1" | 12' 1" | 12' 1" | 11' 2" | 11' 2" | 11' 2" | 9' 8" | 9' 8" | 9' 8" | 24 | 15' 2" | 15' 2" | 15' 2" | 13' 2" | 13' 2" | 13' 2" | 11' 7" | 11' 7" | 11' 7" | 10' 4" | 10' 4" | 10' 4" | 9' 4" | 9' 4" | 9' 4" | 8' 8" | 8' 8" | 8' 8" | 7' 6" | 7' 6" | 7' 6" | | | | |
| 600S200-43 | 33 | 12 | 25' 8" | 25' 8" | 25' 2" | 22' 3" | 22' 3" | 22' 3" | 19' 10" | 19' 10" | 19' 10" | 18' 2" | 18' 2" | 18' 2" | 16' 9" | 16' 9" | 16' 9" | 15' 8" | 15' 8" | 15' 8" | 15' 8" | 15' 8" | 15' 8" | 14' 1" | 14' 1" | 14' 1" | 16 | 22' 3" | 22' 3" | 22' 3" | 19' 3" | 19' 3" | 19' 3" | 17' 2" | 17' 2" | 17' 2" | 15' 8" | 15' 8" | 15' 8" | 14' 7" | 14' 7" | 14' 7" | 13' 7" | 13' 7" | 13' 7" | 12' 2" | 12' 2" | 12' 2" | 24 | 18' 2" | 18' 2" | 18' 2" | 15' 8" | 15' 8" | 15' 8" | 14' 1" | 14' 1" | 14' 1" | 12' 10" | 12' 10" | 12' 10" | 11' 10" | 11' 10" | 11' 10" | 11' 1" | 11' 1" | 11' 1" | 10' 0" | 10' 0" | 10' 0" | | | | |
| 600S200-43 | 50 | 12 | 29' 4" | 29' 4" | 25' 2" | 25' 4" | 25' 4" | 22' 10" | 22' 9" | 22' 9" | 21' 2" | 20' 9" | 20' 9" | 20' 0" | 19' 2" | 19' 2" | 19' 0" | 18' 0" | 18' 0" | 18' 0" | 16' 8" | 16' 8" | 16' 8" | 16' 1" | 16' 1" | 16' 1" | 16 | 25' 4" | 25' 4" | 22' 10" | 22' 0" | 22' 0" | 20' 9" | 19' 8" | 19' 8" | 19' 3" | 18' 0" | 18' 0" | 18' 0" | 16' 1" | 16' 1" | 16' 1" | 15' 7" | 15' 7" | 15' 7" | 13' 10" | 13' 10" | 13' 10" | 24 | 20' 9" | 20' 9" | 20' 0" | 18' 0" | 18' 0" | 18' 0" | 16' 1" | 16' 1" | 16' 1" | 14' 8" | 14' 8" | 14' 8" | 14' 8" | 14' 8" | 14' 8" | 13' 7" | 13' 7" | 13' 7" | 12' 8" | 12' 8" | 12' 8" | 11' 4" | 11' 4" | 11' 4" | |
| 600S200-54 | 50 | 12 | 34' 2" | 32' 0" | 27' 0" | 29' 7" | 29' 1" | 24' 7" | 26' 6" | 26' 6" | 22' 9" | 24' 2" | 24' 2" | 21' 4" | 22' 4" | 22' 4" | 20' 4" | 20' 10" | 20' 10" | 19' 6" | 18' 1" | 18' 1" | 17' 8" | 16' 2" | 16' 2" | 16' 2" | 16 | 29' 7" | 29' 1" | 24' 7" | 25' 7" | 25' 7" | 22' 3" | 22' 10" | 22' 10" | 20' 8" | 20' 10" | 20' 10" | 19' 6" | 19' 4" | 19' 4" | 18' 1" | 18' 1" | 17' 8" | 16' 2" | 16' 2" | 16' 2" | 24 | 24' 2" | 24' 2" | 21' 4" | 20' 10" | 20' 10" | 19' 6" | 18' 1" | 18' 1" | 17' 8" | 16' 2" | 16' 2" | 16' 2" | 15' 9" | 15' 9" | 15' 9" | 14' 9" | 14' 9" | 14' 9" | 13' 2" | 13' 2" | 13' 2" | | | | | |
| 600S200-68 | 50 | 12 | 39' 4" | 34' 4" | 29' 0" | 34' 4" | 31' 2" | 26' 3" | 30' 9" | 29' 0" | 24' 6" | 28' 1" | 27' 3" | 23' 0" | 26' 0" | 25' 10" | 21' 10" | 24' 3" | 24' 3" | 20' 10" | 22' 6" | 22' 6" | 19' 10" | 21' 1" | 21' 1" | 19' 0" | 16 | 34' 4" | 31' 2" | 26' 3" | 29' 9" | 28' 4" | 23' 10" | 26' 7" | 26' 3" | 22' 2" | 24' 3" | 24' 3" | 20' 10" | 22' 6" | 22' 6" | 19' 10" | 21' 1" | 21' 1" | 19' 0" | 18' 9" | 18' 9" | 17' 7" | 24 | 28' 1" | 27' 3" | 23' 0" | 24' 3" | 24' 3" | 20' 10" | 21' 8" | 21' 8" | 19' 4" | 18' 4" | 18' 4" | 17' 4" | 17' 2" | 17' 2" | 16' 7" | 15' 4" | 15' 4" | 15' 4" | | | | | | | |
| 600S200-97 | 50 | 12 | 43' 8" | 38' 2" | 32' 2" | 39' 8" | 34' 8" | 29' 3" | 36' 10" | 32' 2" | 27' 2" | 34' 8" | 30' 3" | 25' 7" | 32' 4" | 28' 9" | 24' 3" | 30' 3" | 30' 3" | 27' 6" | 23' 2" | 28' 0" | 26' 1" | 22' 1" | 26' 2" | 25' 0" | 21' 1" | 16 | 39' 8" | 34' 8" | 29' 3" | 36' 1" | 31' 6" | 26' 7" | 33' 2" | 29' 3" | 24' 8" | 30' 3" | 27' 6" | 23' 2" | 28' 0" | 26' 1" | 22' 1" | 26' 2" | 25' 0" | 21' 1" | 23' 4" | 23' 2" | 19' 7" | 24 | 34' 8" | 30' 3" | 25' 7" | 30' 3" | 27' 6" | 23' 2" | 27' 1" | 25' 7" | 21' 7" | 24' 8" | 24' 0" | 20' 3" | 22' 10" | 22' 9" | 19' 3" | 21' 4" | 21' 4" | 18' 4" | 19' 1" | 19' 1" | 17' 1" | | | |
| 600S200-118 | 50 | 12 | 46' 2" | 40' 4" | 34' 1" | 42' 0" | 36' 8" | 30' 10" | 39' 0" | 34' 1" | 28' 8" | 36' 8" | 32' 0" | 27' 0" | 34' 9" | 30' 4" | 25' 8" | 33' 3" | 33' 3" | 29' 1" | 24' 7" | 30' 3" | 26' 1" | 22' 9" | 30' 10" | 27' 0" | 22' 9" | 16 | 42' 0" | 36' 8" | 30' 10" | 38' 2" | 33' 3" | 28' 1" | 35' 4" | 30' 10" | 26' 1" | 33' 3" | 29' 1" | 24' 7" | 28' 9" | 25' 4" | 21' 6" | 26' 7" | 24' 2" | 20' 4" | 24' 9" | 23' 1" | 19' 6" | 22' 0" | 21' 6" | 18' 1" | 24 | 36' 8" | 32' 0" | 27' 0" | 33' 3" | 29' 1" | 24' 7" | 30' 10" | 27' 0" | 22' 9" | 28' 9" | 25' 4" | 21' 6" | 26' 7" | 24' 2" | 20' 4" | 24' 9" | 23' 1" | 19' 6" | 22' 0" | 21' 6" | 18' 1" |
| 600S250-43 | 33 | 12 | 26' 4" | 26' 4" | 26' 4" | 22' 10" | 22' 10" | 22' 10" | 20' 4" | 20' 4" | 20' 4" | 18' 8" | 18' 8" | 18' 8" | 17' 3" | 17' 3" | 17' 3" | 16' 2" | 16' 2" | 16' 2" | 15' 0" | 15' 0" | 15' 0" | 14' 0" | 14' 0" | 14' 0" | 14 | 22' 10" | 22' 10" | 22' 10" | 19' 9" | 19' 9" | 19' 9" | 17' 8" | 17' 8" | 17' 8" | 14' 6" | 14' 6" | 14' 6" | 13' 2" | 13' 2" | 13' 2" | 12' 2" | 12' 2" | 12' 2" | 10' 2" | 10' 2" | 10' 2" | 24 | 18' 8" | 18' 8" | 18' 8" | 16' 2" | 16' 2" | 16' 2" | 15' 0" | 15' 0" | 15' 0" | 14' 0" | 14' 0" | 14' 0" | 12' 2" | 12' 2" | 12' 2" | | | | | | | | | | |
| 600S250-43 | 50 | 12 | 30' 0" | 30' 0" | 26' 1" | 26' 0" | 26' 0" | 23' 8" | 23' 3" | 23' 3" | 22' 0" | 21' 2" | 21' 2" | 20' 8" | 19' 8" | 19' 8" | 19' 8" | 18' 4" | 18' 4" | 18' 4" | 17' 0" | 17' 0" | 17' 0" | 15' 10" | 15' 10" | 15' 10" | 16 | 26' 0" | 26' 0" | 23' 8" | 22' 6" | 22' 6" | 21' 6" | 20' 2" | 20' 2" | 20' 0" | 18' 4" | 18' 4" | 18' 4" | 17' 0" | 17' 0" | 17' 0" | 15' 10" | 15' 10" | 15' 10" | 14' 2" | 14' 2" | 14' 2" | 24 | 21' 2" | 21' 2" | 20' 8" | 16' 6" | 16' 6" | 16' 6" | 15' 0" | 15' 0" | 15' 0" | 13' 10" | 13' 10" | 13' 10" | 13' 0" | 13' 0" | 13' 0" | 11' 6" | 11' 6" | 11' 6" | | | | | | | |
| 600S250-54 | 50 | 12 | 35' 0" | 33' 4" | 28' 2" | 30' 3" | 30' 3" | 25' 7" | 27' 1" | 27' 1" | 23' 9" | 24' 9" | 24' 9" | 22' 4" | 22' 10" | 22' 10" | 21' 3" | 21' 6" | 21' 6" | 20' 3" | 19' 10" | 19' 10" | 19' 3" | 18' 7" | 18' 7" | 18' 6" | 16 | 30' 3" | 30' 3" | 25' 7" | 26' 3" | 26' 3" | 23' 3" | 23' 6" | 23' 6" | 21' 7" | 21' 6" | 21' 6" | 20' 3" | 19' 10" | 19' 10" | 19' 3" | 18' 7" | 18' 7" | 18' 6" | 16' 7" | 16' 7" | 16' 7" | 24 | 24' 9" | 24' 9" | 22' 4" | 21' 6" | 21' 6" | 20' 3" | 19' 2" | 19' 2" | 18' 10" | 17' 6" | 17' 6" | 17' 6" | 16' 2" | 16' 2" | 16' 2" | 15' 2" | 15' 2" | 15' 2" | | | | | | | |
| 600S250-68 | 50 | 12 | 40' 9" | 36' 0" | 30' 4" | 35' 4" | 32' 9" | 27' 7" | 31' 7" | 30' 4" | 25' 7" | 28' 10" | 28' 7" | 24' 1" | 26' 8" | 26' 8" | 22' 10" | 25' 0" | 25' 0" | 21' 10" | 22' 4" | 22' 4" | 20' 4" | 21' 8" | 21' 8" | 20' 4" | 16 | 35' 4" | 32' 9" | 27' 7" | 30' 7" | 29' 9" | 25' 1" | 27' 4" | 27' 4" | 23' 3" | 25' 0" | 25' 0" | 21' 10" | 22' 4" | 22' 4" | 20' 4" | 18' 10" | 18' 10" | 18' 2" | 17' 8" | 17' 8" | 17' 4" | 15' 9" | 15' 9" | 15' 9" | 24 | 28' 10" | 28' 7" | 24' 1" | 26' 8" | 26' 8" | 22' 10" | 25' 0" | 25' 0" | 21' 10" | 22' 4" | 22' 4" | 20' 4" | 18' 10" | 18' 10" | 18' 2" | 17' 8" | 17' 8" | 17' 4" | | | | |
| 600S250-97 | 50 | 12 | 45' 10" | 40' 1" | 33' 9" | 41' 8" | 36' 4" | 30' 8" | 38' 8" | 33' 9" | 28' 6" | 36' 2" | 31' 9" | 26' 9" | 33' 6" | 30' 2" | 25' 6" | 31' 4" | 31' 4" | 28' 10" | 29' 0" | 27' 6" | 23' 2" | 27' 2" | 26' 3" | 22' 1" | 16 | 41' 8" | 36' 4" | 30' 8" | 37' 10" | 33' 1" | 27' 10" | 34' 4" | 30' 8" | 25' 10" | 28' 1" | 26' 9" | 22' 7" | 23' 8" | 23' 8" | 20' 2" | 22' 2" | 22' 2" | 19' 3" | 19' 9" | 19' 9" | 18' 0" | 24 | 36' 2" | 31' 9" | 26' 9" | 31' 4" | 28' 10" | 24' 4" | 28' 1" | 26' 9" | 22' 7" | 23' 8" | 23' 8" | 20' 2" | 22' 2" | 22' 2" | 19' 3" | 19' 9" | 19' 9" | 18' 0" | | | | | | | |
| 600S250-118 | 50 | 12 | 48' 7" | 42' 4" | 35' 9" | 44' 1" | 38' 7" | 32' 6" | 41' 0" | 35' 9" | 30' 2" | 38' 7" | 33' 8" | 28' 4" | 36' 7" | 32' 0" | 27' 0" | 35' 0" | 35' 0" | 30' 7" | 32' 9" | 29' 1" | 24' 6" | 30' 8" | 27' 9" | 23' 6" | 16 | 44' 1" | 38' 7" | 32' 6" | 40' 1" | 35' 0" | 29' 6" | 37' 2" | 32' 6" | 27' 4" | 35' 0" | 30' 7" | 25' 9" | 32' 9" | 29' 1" | 24' 6" | 30' 8" | 27' 9" | 23' 6" | 22' 4" | 22' 4" | 19' 0" | 24 | 38' 7" | 33' 8" | 28' 4" | 35' 0" | 35' 0" | 30' 7" | 25' 9" | 23' 6" | 22' 9" | 29' 1" | 29' 1" | 24' 6" | 25' 0" | 25' 4" | 21' 4" | 25' 0" | 24' 3" | 20' 6" | 22' 4" | 22' 4" | 19' 0" | | | | |
| 600S300-54 | 50 | 12 | 35' 7" | 34' 2" | 28' 9" | 30' 10" | 30' 10" | 26' 2" | 27' 7" | 27' 7" | 24' 3" | 25' 2" | 25' 2" | 22' 10" | 23' 3" | 23' 3" | 21' 8" | 21' 9" | 21' 9" | 20' 9" | 20' 2" | 20' 2" | 19' 9" | 18' 10" | 18' 10" | 18' 10" | 16 | 30' 10" | 30' 10" | 26' 2" | 26' 8" | 26' 8" | 23' 9" | 23' 10" | 23' 10" | 22' 1" | 21' 9" | 21' 9" | 20' 9" | 19' 6" | 19' 6" | 19' 3" | 24 | 25' 2" | 25' 2" | 22' 10" | 21' 9" | 21' 9" | 20' 9" | 19' 6" | 19' 6" | 19' 3" | 17' 9" | 17' 9" | 17' 9" | 16' 6" | 16' 6" | 16' 6" | 15' 4" | 15' 4" | 15' 4" | | | | | | | | | | | | | |
| 600S300-68 | 50 | 12 | 41' 7" | 37' 3" | 31' 4" | 36' 0" | 33' 10" | 28' 7" | 32' 2" | 31' 4" | 26' 6" | 29' 4" | 29' 4" | 25' 0" | 27' 2" | 27' 2" | 23' 8" | 25' 6" | 2 | | | | | | | | | | | | | | | | | | | | | | | | | | | | | | | | | | | | | | | | | | | | | | | | | | | | | | | |

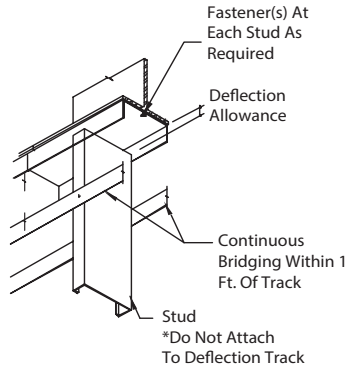
CURTAINWALL LIMITING HEIGHTS - DOUBLE SPAN

| MEMBER | F _y (ksi) | SPACING (in.) o.c. | 15 psf | | | 20 psf | | | 25 psf | | | 30 psf | | | 35 psf | | | 40 psf | | | 50 psf | | |
|-------------|-------------------------|-----------------------|---------|---------|---------|---------|---------|---------|---------|---------|---------|---------|---------|---------|---------|---------|---------|---------|---------|---------|---------|---------|---------|
| | | | L/240 | L/360 | L/600 | L/240 | L/360 | L/600 | L/240 | L/360 | L/600 | L/240 | L/360 | L/600 | L/240 | L/360 | L/600 | L/240 | L/360 | L/600 | L/240 | L/360 | L/600 |
| 800S137-97 | 50 | 12 | 50' 4" | 44' 0" | 37' 1" | 44' 7" | 40' 0" | 33' 8" | 39' 10" | 37' 1" | 31' 3" | 36' 4" | 34' 10" | 29' 6" | 33' 8" | 33' 2" | 28' 0" | 31' 7" | 31' 7" | 26' 9" | 28' 2" | 28' 2" | 24' 9" |
| | | 16 | 44' 7" | 40' 0" | 33' 8" | 38' 7" | 36' 3" | 30' 7" | 34' 7" | 33' 8" | 28' 4" | 31' 7" | 31' 7" | 26' 9" | 29' 2" | 29' 2" | 25' 4" | 27' 3" | 27' 3" | 24' 3" | 24' 4" | 24' 4" | 22' 7" |
| | | 24 | 36' 4" | 34' 10" | 29' 6" | 31' 7" | 31' 7" | 26' 9" | 28' 2" | 28' 2" | 24' 9" | 25' 9" | 25' 9" | 23' 4" | 23' 10" | 23' 10" | 22' 2" | 22' 3" | 22' 3" | 21' 2" | 20' 0" | 20' 0" | 19' 8" |
| 800S162-33 | 33 | 12 | 23' 3" | 23' 3" | 23' 3" | 19' 10" | 19' 10" | 19' 10" | 17' 6" | 17' 6" | 17' 6" | 15' 7" | 15' 7" | 15' 7" | 14' 2" | 14' 2" | 14' 2" | 13' 0" | 13' 0" | 13' 0" | 11' 2" | 11' 2" | 11' 2" |
| | | 16 | 19' 10" | 19' 10" | 19' 10" | 16' 9" | 16' 9" | 16' 9" | 14' 7" | 14' 7" | 14' 7" | 13' 0" | 13' 0" | 13' 0" | 11' 9" | 11' 9" | 11' 9" | 10' 8" | 10' 8" | 10' 8" | 9' 1" | 9' 1" | 9' 1" |
| | | 24 | 15' 7" | 15' 7" | 15' 7" | 13' 0" | 13' 0" | 13' 0" | 11' 2" | 11' 2" | 11' 2" | 9' 10" | 9' 10" | 9' 10" | 8' 9" | 8' 9" | 8' 9" | 8' 0" | 8' 0" | 8' 0" | 6' 8" | 6' 8" | 6' 8" |
| 800S162-43 | 33 | 12 | 28' 0" | 28' 0" | 28' 0" | 24' 2" | 24' 2" | 24' 2" | 21' 8" | 21' 8" | 21' 8" | 19' 9" | 19' 9" | 19' 9" | 18' 3" | 18' 3" | 18' 3" | 17' 1" | 17' 1" | 17' 1" | 15' 3" | 15' 3" | 15' 3" |
| | | 16 | 24' 2" | 24' 2" | 24' 2" | 21' 0" | 21' 0" | 21' 0" | 18' 9" | 18' 9" | 18' 9" | 17' 1" | 17' 1" | 17' 1" | 15' 10" | 15' 10" | 15' 10" | 14' 9" | 14' 9" | 14' 9" | 13' 1" | 13' 1" | 13' 1" |
| | | 24 | 19' 9" | 19' 9" | 19' 9" | 17' 1" | 17' 1" | 17' 1" | 15' 3" | 15' 3" | 15' 3" | 13' 10" | 13' 10" | 13' 10" | 12' 9" | 12' 9" | 12' 9" | 11' 9" | 11' 9" | 11' 9" | 10' 3" | 10' 3" | 10' 3" |
| 800S162-43 | 50 | 12 | 31' 9" | 31' 9" | 29' 8" | 27' 7" | 27' 7" | 27' 0" | 24' 8" | 24' 8" | 24' 8" | 22' 6" | 22' 6" | 22' 6" | 20' 10" | 20' 10" | 20' 10" | 19' 6" | 19' 6" | 19' 6" | 17' 2" | 17' 2" | 17' 2" |
| | | 16 | 27' 7" | 27' 7" | 27' 0" | 23' 10" | 23' 10" | 23' 10" | 21' 4" | 21' 4" | 21' 4" | 19' 6" | 19' 6" | 19' 6" | 17' 10" | 17' 10" | 17' 10" | 16' 7" | 16' 7" | 16' 7" | 14' 7" | 14' 7" | 14' 7" |
| | | 24 | 22' 6" | 22' 6" | 22' 6" | 19' 6" | 19' 6" | 19' 6" | 17' 2" | 17' 2" | 17' 2" | 15' 6" | 15' 6" | 15' 6" | 14' 1" | 14' 1" | 14' 1" | 13' 0" | 13' 0" | 13' 0" | 11' 3" | 11' 3" | 11' 3" |
| 800S162-54 | 50 | 12 | 37' 3" | 37' 3" | 32' 2" | 32' 3" | 32' 3" | 29' 2" | 28' 10" | 28' 10" | 27' 2" | 26' 4" | 26' 4" | 25' 7" | 24' 4" | 24' 4" | 24' 3" | 22' 10" | 22' 10" | 22' 10" | 20' 4" | 20' 4" | 20' 4" |
| | | 16 | 32' 3" | 32' 3" | 29' 2" | 28' 0" | 28' 0" | 26' 7" | 25' 0" | 25' 0" | 24' 8" | 22' 10" | 22' 10" | 22' 10" | 21' 2" | 21' 2" | 21' 2" | 19' 9" | 19' 9" | 19' 9" | 17' 8" | 17' 8" | 17' 8" |
| | | 24 | 26' 4" | 26' 4" | 25' 7" | 22' 10" | 22' 10" | 22' 10" | 20' 4" | 20' 4" | 20' 4" | 18' 8" | 18' 8" | 18' 8" | 17' 3" | 17' 3" | 17' 3" | 16' 2" | 16' 2" | 16' 2" | 14' 6" | 14' 6" | 14' 6" |
| 800S162-68 | 50 | 12 | 43' 8" | 41' 3" | 34' 9" | 37' 9" | 37' 6" | 31' 7" | 33' 9" | 33' 9" | 29' 4" | 30' 10" | 30' 10" | 27' 7" | 28' 7" | 28' 7" | 26' 2" | 26' 9" | 26' 9" | 25' 1" | 23' 10" | 23' 10" | 23' 3" |
| | | 16 | 37' 9" | 37' 6" | 31' 7" | 32' 9" | 32' 9" | 28' 8" | 29' 3" | 29' 3" | 26' 8" | 26' 9" | 26' 9" | 25' 1" | 24' 9" | 24' 9" | 23' 9" | 23' 2" | 23' 2" | 22' 9" | 20' 8" | 20' 8" | 20' 8" |
| | | 24 | 30' 10" | 30' 10" | 27' 7" | 26' 9" | 26' 9" | 25' 1" | 23' 10" | 23' 10" | 23' 3" | 21' 9" | 21' 9" | 21' 9" | 20' 2" | 20' 2" | 20' 2" | 18' 10" | 18' 10" | 18' 10" | 16' 10" | 16' 10" | 16' 10" |
| 800S162-97 | 50 | 12 | 52' 6" | 45' 9" | 38' 8" | 47' 8" | 41' 7" | 35' 1" | 42' 8" | 38' 8" | 32' 7" | 39' 0" | 36' 4" | 30' 8" | 36' 1" | 34' 7" | 29' 1" | 33' 9" | 33' 0" | 27' 10" | 30' 2" | 30' 2" | 25' 10" |
| | | 16 | 47' 8" | 41' 7" | 35' 1" | 41' 4" | 37' 9" | 31' 10" | 37' 0" | 35' 1" | 29' 7" | 33' 9" | 33' 0" | 27' 10" | 31' 3" | 31' 3" | 26' 1" | 29' 3" | 29' 3" | 25' 3" | 26' 2" | 26' 2" | 23' 6" |
| | | 24 | 39' 0" | 36' 4" | 30' 8" | 33' 9" | 33' 0" | 27' 10" | 30' 2" | 30' 2" | 25' 10" | 27' 7" | 27' 7" | 24' 4" | 25' 6" | 25' 6" | 22' 1" | 23' 10" | 23' 10" | 22' 1" | 21' 4" | 21' 4" | 20' 6" |
| 800S162-118 | 50 | 12 | 55' 6" | 48' 6" | 40' 10" | 50' 4" | 44' 1" | 37' 2" | 46' 9" | 40' 10" | 34' 6" | 44' 1" | 38' 6" | 32' 6" | 41' 9" | 36' 7" | 30' 9" | 40' 0" | 35' 0" | 29' 6" | 37' 2" | 32' 6" | 27' 4" |
| | | 16 | 50' 4" | 44' 1" | 37' 2" | 45' 9" | 40' 0" | 33' 9" | 42' 6" | 37' 2" | 31' 3" | 40' 0" | 35' 0" | 29' 6" | 38' 0" | 33' 2" | 28' 0" | 36' 0" | 31' 9" | 26' 9" | 32' 1" | 29' 6" | 24' 10" |
| | | 24 | 44' 1" | 38' 6" | 32' 6" | 40' 0" | 35' 0" | 29' 6" | 37' 2" | 32' 6" | 27' 4" | 33' 10" | 30' 6" | 25' 9" | 31' 4" | 29' 0" | 24' 6" | 29' 3" | 29' 3" | 25' 4" | 26' 1" | 25' 9" | 21' 8" |
| 800S200-43 | 33 | 12 | 30' 1" | 30' 1" | 30' 1" | 26' 0" | 26' 0" | 26' 0" | 23' 3" | 23' 3" | 23' 3" | 21' 3" | 21' 3" | 21' 3" | 19' 8" | 19' 8" | 19' 8" | 18' 4" | 18' 4" | 18' 4" | 16' 6" | 16' 6" | 16' 6" |
| | | 16 | 26' 0" | 26' 0" | 26' 0" | 22' 6" | 22' 6" | 22' 6" | 20' 2" | 20' 2" | 20' 2" | 18' 4" | 18' 4" | 18' 4" | 17' 0" | 17' 0" | 17' 0" | 15' 10" | 15' 10" | 15' 10" | 14' 3" | 14' 3" | 14' 3" |
| | | 24 | 21' 3" | 21' 3" | 21' 3" | 18' 4" | 18' 4" | 18' 4" | 16' 6" | 16' 6" | 16' 6" | 15' 0" | 15' 0" | 15' 0" | 13' 10" | 13' 10" | 13' 10" | 12' 10" | 12' 10" | 12' 10" | 11' 3" | 11' 3" | 11' 3" |
| 800S200-43 | 50 | 12 | 34' 2" | 34' 2" | 31' 7" | 29' 7" | 29' 7" | 28' 8" | 26' 6" | 26' 6" | 26' 6" | 24' 2" | 24' 2" | 24' 2" | 22' 4" | 22' 4" | 22' 4" | 21' 0" | 21' 0" | 21' 0" | 18' 8" | 18' 8" | 18' 8" |
| | | 16 | 29' 7" | 29' 7" | 28' 8" | 25' 8" | 25' 8" | 25' 8" | 23' 0" | 23' 0" | 23' 0" | 21' 0" | 21' 0" | 21' 0" | 19' 4" | 19' 4" | 19' 4" | 18' 1" | 18' 1" | 18' 1" | 15' 9" | 15' 9" | 15' 9" |
| | | 24 | 24' 2" | 24' 2" | 24' 2" | 21' 0" | 21' 0" | 21' 0" | 18' 8" | 18' 8" | 18' 8" | 16' 9" | 16' 9" | 16' 9" | 15' 3" | 15' 3" | 15' 3" | 14' 1" | 14' 1" | 14' 1" | 12' 1" | 12' 1" | 12' 1" |
| 800S200-54 | 50 | 12 | 40' 0" | 40' 0" | 33' 10" | 34' 7" | 34' 7" | 30' 9" | 31' 0" | 31' 0" | 28' 7" | 28' 3" | 28' 3" | 26' 10" | 26' 2" | 26' 2" | 25' 7" | 24' 6" | 24' 6" | 24' 6" | 21' 10" | 21' 10" | 21' 10" |
| | | 16 | 34' 7" | 34' 7" | 30' 9" | 30' 0" | 30' 0" | 28' 0" | 26' 9" | 26' 9" | 26' 0" | 24' 6" | 24' 6" | 24' 6" | 22' 8" | 22' 8" | 22' 8" | 21' 2" | 21' 2" | 21' 2" | 19' 0" | 19' 0" | 19' 0" |
| | | 24 | 28' 3" | 28' 3" | 26' 10" | 24' 6" | 24' 6" | 24' 6" | 21' 10" | 21' 10" | 21' 10" | 20' 0" | 20' 0" | 20' 0" | 18' 6" | 18' 6" | 18' 6" | 17' 3" | 17' 3" | 17' 3" | 15' 6" | 15' 6" | 15' 6" |
| 800S200-68 | 50 | 12 | 46' 8" | 43' 2" | 36' 4" | 40' 6" | 39' 3" | 33' 1" | 36' 2" | 36' 2" | 30' 8" | 33' 0" | 33' 0" | 28' 10" | 30' 7" | 30' 7" | 27' 6" | 28' 7" | 28' 7" | 26' 3" | 25' 7" | 25' 7" | 24' 4" |
| | | 16 | 40' 6" | 39' 3" | 33' 1" | 35' 1" | 35' 1" | 30' 1" | 31' 4" | 31' 4" | 27' 10" | 28' 3" | 28' 3" | 26' 3" | 26' 6" | 26' 6" | 25' 0" | 24' 9" | 24' 9" | 23' 10" | 22' 2" | 22' 2" | 22' 2" |
| | | 24 | 33' 0" | 33' 0" | 28' 10" | 28' 7" | 28' 7" | 26' 3" | 25' 7" | 25' 7" | 24' 4" | 23' 4" | 23' 4" | 23' 0" | 21' 7" | 21' 7" | 21' 7" | 20' 2" | 20' 2" | 20' 2" | 18' 1" | 18' 1" | 18' 1" |
| 800S200-97 | 50 | 12 | 55' 0" | 48' 1" | 40' 6" | 50' 0" | 43' 8" | 36' 9" | 45' 7" | 40' 6" | 34' 2" | 41' 7" | 38' 1" | 32' 2" | 38' 6" | 36' 2" | 30' 7" | 36' 0" | 34' 8" | 29' 2" | 32' 2" | 32' 2" | 27' 1" |
| | | 16 | 50' 0" | 43' 8" | 36' 9" | 44' 1" | 39' 8" | 33' 6" | 39' 6" | 36' 9" | 31' 1" | 36' 0" | 34' 8" | 29' 2" | 33' 4" | 32' 10" | 27' 9" | 31' 2" | 31' 2" | 26' 7" | 27' 10" | 27' 10" | 24' 8" |
| | | 24 | 41' 7" | 38' 1" | 32' 2" | 36' 0" | 34' 8" | 29' 2" | 32' 2" | 32' 2" | 27' 1" | 29' 4" | 29' 4" | 25' 6" | 27' 2" | 27' 2" | 24' 3" | 25' 6" | 25' 6" | 23' 2" | 22' 9" | 22' 9" | 21' 6" |
| 800S200-118 | 50 | 12 | 58' 3" | 50' 10" | 42' 10" | 52' 10" | 46' 3" | 39' 0" | 49' 2" | 42' 10" | 36' 2" | 46' 3" | 40' 4" | 34' 1" | 43' 6" | 38' 4" | 32' 4" | 40' 8" | 36' 8" | 31' 0" | 36' 4" | 34' 1" | 28' 8" |
| | | 16 | 52' 10" | 46' 3" | 39' 0" | 48' 1" | 42' 0" | 35' 4" | 44' 7" | 39' 0" | 32' 10" | 40' 8" | 36' 8" | 31' 0" | 37' 8" | 34' 10" | 29' 4" | 35' 2" | 33' 4" | 28' 1" | 31' 6" | 31' 0" | 26' 1" |
| | | 24 | 46' 3" | 40' 4" | 34' 1" | 40' 8" | 36' 8" | 31' 0" | 36' 4" | 34' 1" | 28' 8" | 33' 2" | 32' 1" | 27' 1" | 30' 8" | 30' 6" | 25' 8" | 28' 9" | 28' 9" | 24' 7" | 25' 8" | 25' 8" | 22' 9" |
| 800S250-43 | 33 | 12 | 30' 9" | 30' 9" | 30' 9" | 26' 8" | 26' 8" | 26' 8" | 23' 10" | 23' 10" | 23' 10" | 21' 9" | 21' 9" | 21' 9" | 20' 2" | 20' 2" | 20' 2" | 18' 10" | 18' 10" | 18' 10" | 16' 10" | 16' 10" | 16' 10" |
| | | 16 | 26' 8" | 26' 8" | 26' 8" | 23' 1" | 23' 1" | 23' 1" | 20' 8" | 20' 8" | 20' 8" | 18' 10" | 18' 10" | 18' 10" | 17' 6" | 17' 6" | 17' 6" | 16' 3" | 16' 3" | 16' 3" | 14' 7" | 14' 7" | 14' 7" |
| | | 24 | 21' 9" | 21' 9" | 21' 9" | 18' 10" | 18' 10" | 18' 10" | 16' 10" | 16' 10" | 16' 10" | 15' 4" | 15' 4" | 15' 4" | 14' 1" | 14' 1" | 14' 1" | 13' 0" | 13' 0" | 13' 0" | 11' 3" | 11' 3" | 11' 3" |
| 800S250-43 | 50 | 12 | 35' 0" | 35' 0" | 32' 7" | 30' 3" | 30' 3" | 29' 7" | 27' 1" | | | | | | | | | | | | | | |

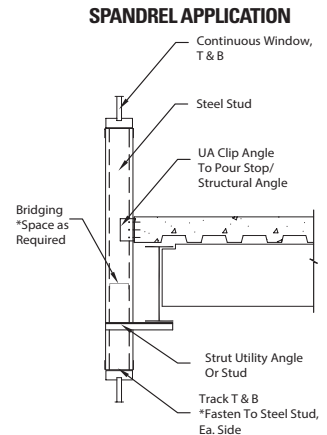


INFILL STUD

INFILL WALL APPLICATION



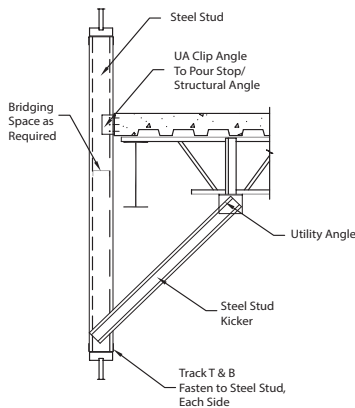
DEFLECTION TRACK



STRUT TO BEAM

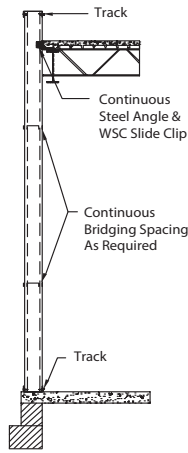
SPANDREL APPLICATION

SPANDREL APPLICATION



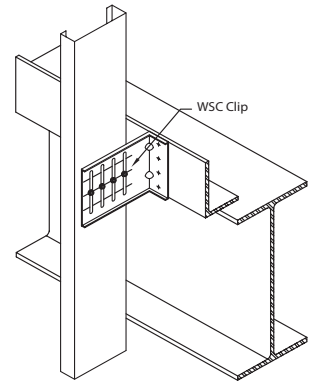
DIAGONAL KICKER

BY-PASS WALL APPLICATION



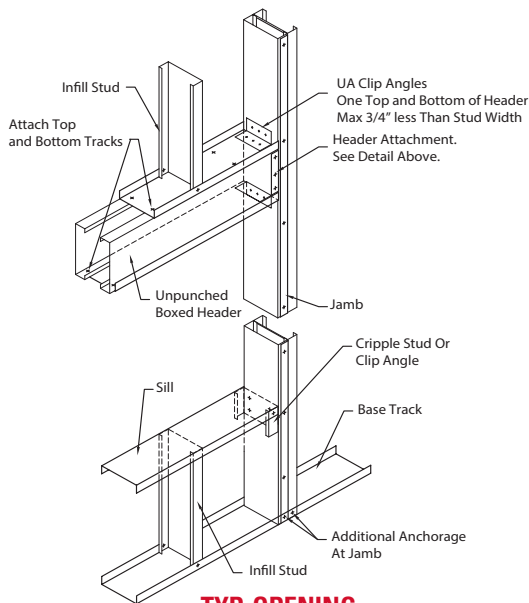
BY-PASS WALL

CURTAINWALL STUD

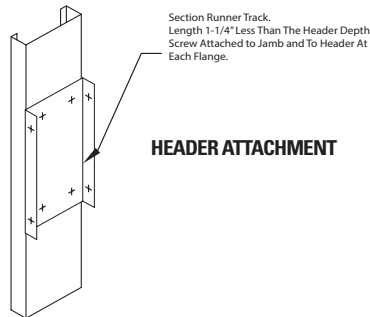


WSC SLIDE CLIP

WINDOW OPENING DETAILS

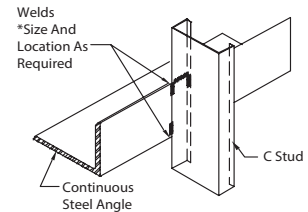


TYP. OPENING

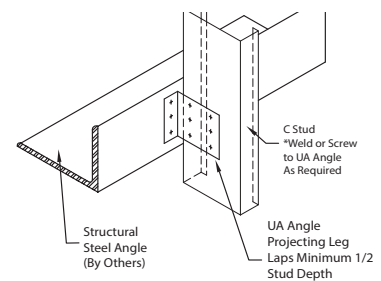


HEADER ATTACHMENT

GRAVITY/LATERAL ATTACHMENT ALTERNATIVES



DIRECT TO STEEL ANGLE



UA ANGLE TO STEEL ANGLE

1. NOTES:
2. Size, spacing and anchorage of framing components shall be qualified by design.
3. Vertical deflection of the primary frame shall be accommodated in the window head.

DIAGONAL CROSS-BRACING

DIAGONAL RACKING BRACING

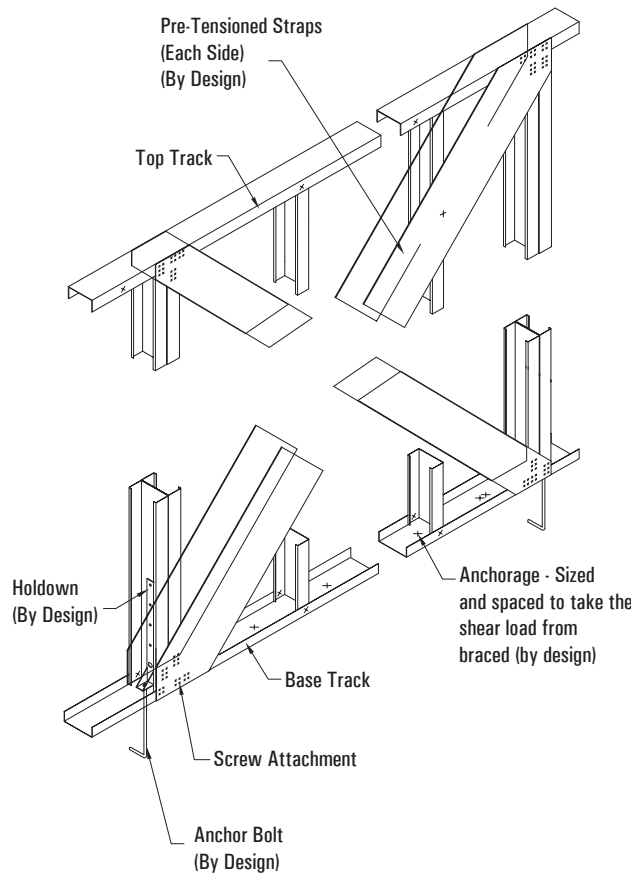
Diagonal bracing and connections must be designed for the specific conditions of a building. For allowable load capacities of Marino\WARE members and assistance in developing connections, please contact Marino\WARE's Technical Services Department. Buildings must be properly braced to resist racking under wind and seismic loads. In steel-framed construction, diagonal strap bracing offers an economical and effective means to provide this resistance. Straps are sloped to resist racking forces in tension. They are installed over framing members and easily covered with facing materials. Diagonal strap ends are secured by screws or welded to transfer the tension loads to the wall framing and floor assembly. End connections must be designed to transfer accumulated design loads. At the foundation, floor anchors must be adequate to prevent uplift and horizontal shear. Splicing of strapping is not recommended.

DIAGONAL CROSS-BRACING

For selection of Flat Strap (FS) subjected to tension loads in shear wall assemblies or miscellaneous applications.

USE:

Select a flat strap which provides an allowable tensile capacity equal to or greater than the applied tension load.



| CROSS BRACING: ALLOWABLE TENSION CAPACITY BASED ON SINGLE STRAP | | |
|---|-------------------------|-------------------------------------|
| Flat Strap Bracing (thickness) | Area (in ²) | P _a Without 1/3 increase |
| 2" x 20ga (33mil) | 0.0692 | 1.37 |
| 2" x 18ga (43 mil) | 0.0902 | 1.78 |
| 4" x 18ga (43 mil) | 0.1804 | 3.57 |
| 2" x 16ga(54 mil) | 0.1132 | 3.39 |
| 4" x 16ga(54 mil) | 0.2264 | 6.79 |
| 2" x 14ga(68 mil) | 0.1426 | 4.28 |
| 4" x 14ga(68 mil) | 0.2852 | 8.56 |

- NOTES:
1. Strap end connections shall be designed to transfer the tensile load.
 2. 16 and 14 gauge strap: F_y (min) = 50 ksi
 3. 20 and 18 gauge strap: F_y (min) = 33 ksi

COMBINED AXIAL AND LATERAL LOADS

NOTES:

1. Allowable axial loads listed are based on simple one span condition and are given in kips (1 kip = 1,000 lb).
2. Allowable axial loads are determined based on Section H1 of AISI S100 with the assumption that the axial load passes through the centroid of the effective section.
3. Allowable axial loads based on 4'-0" on center bracing.
4. Studs are assumed to be adequately braced at a maximum spacing of L_U to develop the full allowable moment, M_a .
5. Listed wind pressures represent the calculated design wind pressure (1.0W based on 2009 IBC or 0.6W based on 2012 IBC and later editions). For deflection calculations, the listed wind pressures have been reduced by 0.70 as per IBC. The 5 psf pressure has not been reduced for deflection checks.
6. End supports have not been checked for web crippling.
7. If no note, deflection meets L/720
8. ¹Deflection meets L/120
9. ²Deflection meets L/240
10. ³Deflection meets L/360
11. ⁴Deflection meets L/600
12. See General Notes on Page 6.

5 psf Lateral Load (Interior Walls)

| 3 5/8" MEMBERS | | | | | | | | | | | | | | | | | |
|------------------|-------------------------|-------------------|-------------------|-------------------|-------------------|-------------------|-------------------|-------------------|-------------------|-------------------|-------------------|-------------------|-------------------|-------------------|-------------------|-------------------|-------------------|
| Wall Height (ft) | Stud Spacing (in.) o.c. | 362S137 | | | | 362S162 | | | | 362S200 | | | | 362S250 | | | |
| | | 33 ksi | | 50 ksi | | 33 ksi | | 50 ksi | | 33 ksi | | 50 ksi | | 33 ksi | | 50 ksi | |
| | | 33 | 43 | 54 | 68 | 33 | 43 | 54 | 68 | 33 | 43 | 54 | 68 | 33 | 43 | 54 | 68 |
| 8 | 12 | 1.48 | 2.13 | 3.31 | 4.36 | 1.87 | 2.64 | 4.14 | 5.37 | 2.23 | 3.28 | 5.17 | 6.67 | 2.43 | 3.72 | 5.81 | 7.75 |
| | 16 | 1.41 | 2.06 | 3.24 | 4.29 | 1.79 | 2.56 | 4.07 | 5.30 | 2.15 | 3.19 | 5.09 | 6.59 | 2.35 | 3.63 | 5.72 | 7.66 |
| | 24 | 1.27 | 1.92 | 3.11 | 4.16 | 1.64 | 2.41 | 3.92 | 5.16 | 1.99 | 3.03 | 4.93 | 6.43 | 2.19 | 3.45 | 5.56 | 7.49 |
| 9 | 12 | 1.37 | 2.00 | 3.09 | 4.06 | 1.73 | 2.47 | 3.84 | 4.97 | 2.08 | 3.07 | 4.78 | 6.15 | 2.28 | 3.52 | 5.45 | 7.16 |
| | 16 | 1.28 | 1.91 | 3.01 | 3.98 | 1.63 | 2.37 | 3.75 | 4.88 | 1.98 | 2.96 | 4.68 | 6.05 | 2.17 | 3.41 | 5.34 | 7.05 |
| | 24 | 1.11 | 1.73 | 2.85 | 3.81 | 1.45 | 2.19 | 3.57 | 4.70 | 1.78 | 2.75 | 4.49 | 5.86 | 1.97 | 3.18 | 5.13 | 6.84 |
| 10 | 12 | 1.25 | 1.85 | 2.84 | 3.72 | 1.58 | 2.28 | 3.51 | 4.53 | 1.91 | 2.83 | 4.36 | 5.59 | 2.11 | 3.29 | 5.07 | 6.52 |
| | 16 | 1.14 | 1.74 | 2.74 | 3.62 | 1.46 | 2.16 | 3.40 | 4.42 | 1.79 | 2.70 | 4.24 | 5.48 | 1.98 | 3.15 | 4.94 | 6.39 |
| | 24 | 0.95 | 1.53 | 2.54 | 3.42 | 1.25 | 1.94 | 3.19 | 4.21 | 1.56 | 2.46 | 4.01 | 5.25 | 1.75 | 2.89 | 4.68 | 6.14 |
| 12 | 12 | 0.98 | 1.50 | 2.25 | 2.96 | 1.24 | 1.86 | 2.77 | 3.59 | 1.55 | 2.32 | 3.44 | 4.42 | 1.73 | 2.73 | 4.06 | 5.20 |
| | 16 | 0.85 ⁴ | 1.36 | 2.13 | 2.83 | 1.10 | 1.71 | 2.64 | 3.45 | 1.39 | 2.15 | 3.30 | 4.28 | 1.57 | 2.55 | 3.89 | 5.04 |
| | 24 | 0.61 ³ | 1.11 ³ | 1.90 ⁴ | 2.60 | 0.85 ³ | 1.44 ⁴ | 2.39 | 3.20 | 1.10 ³ | 1.86 | 3.02 | 4.00 | 1.28 ⁴ | 2.22 | 3.58 | 4.73 |
| 14 | 12 | 0.71 ³ | 1.15 ⁴ | 1.73 | 2.29 | 0.92 ⁴ | 1.43 | 2.12 | 2.77 | 1.17 | 1.81 | 2.63 | 3.42 | 1.35 | 2.15 | 3.11 | 4.04 |
| | 16 | 0.57 ³ | 0.99 ³ | 1.60 ⁴ | 2.15 | 0.77 ³ | 1.27 ⁴ | 1.98 | 2.62 | 1.00 ³ | 1.63 ⁴ | 2.47 | 3.26 | 1.17 ⁴ | 1.95 | 2.94 | 3.86 |
| | 24 | 0.33 ² | 0.72 ² | 1.36 ³ | 1.90 ³ | 0.51 ² | 0.98 ³ | 1.72 ³ | 2.36 ⁴ | 0.70 ³ | 1.30 ³ | 2.19 ³ | 2.97 | 0.85 ³ | 1.58 ³ | 2.61 ⁴ | 3.53 |
| 16 | 12 | 0.48 ³ | 0.83 ³ | 1.31 ³ | 1.75 ⁴ | 0.65 ³ | 1.06 ³ | 1.61 ⁴ | 2.13 | 0.84 ³ | 1.35 ⁴ | 2.01 | 2.64 | 1.01 ³ | 1.63 | 2.39 | 3.14 |
| | 16 | 0.35 ² | 0.68 ² | 1.18 ³ | 1.61 ³ | 0.50 ² | 0.89 ³ | 1.47 ³ | 1.98 ⁴ | 0.66 ³ | 1.17 ³ | 1.85 ³ | 2.48 | 0.82 ³ | 1.42 ³ | 2.21 ⁴ | 2.96 |
| | 24 | 0.11 ¹ | 0.41 ¹ | 0.94 ² | 1.37 ² | 0.24 ¹ | 0.61 ² | 1.22 ² | 1.72 ³ | 0.37 ² | 0.86 ² | 1.57 ³ | 2.20 ³ | 0.49 ² | 1.06 ³ | 1.89 ³ | 2.63 ³ |

15 psf Lateral Load

| 3 5/8" MEMBERS | | | | | | | | | | | | | | | | | |
|------------------|-------------------------|-------------------|-------------------|-------------------|-------------------|-------------------|-------------------|-------------------|-------------------|-------------------|-------------------|-------------------|-------------------|-------------------|-------------------|-------------------|-------------------|
| Wall Height (ft) | Stud Spacing (in.) o.c. | 362S137 | | | | 362S162 | | | | 362S200 | | | | 362S250 | | | |
| | | 33 ksi | | 50 ksi | | 33 ksi | | 50 ksi | | 33 ksi | | 50 ksi | | 33 ksi | | 50 ksi | |
| | | 33 | 43 | 54 | 68 | 33 | 43 | 54 | 68 | 33 | 43 | 54 | 68 | 33 | 43 | 54 | 68 |
| 8 | 12 | 1.07 | 1.71 | 2.92 | 3.96 | 1.42 | 2.19 | 3.72 | 4.95 | 1.76 | 2.79 | 4.70 | 6.20 | 1.95 | 3.20 | 5.31 | 7.24 |
| | 16 | 0.89 | 1.52 | 2.74 | 3.78 | 1.22 | 1.98 | 3.51 | 4.74 | 1.53 | 2.56 | 4.48 | 5.98 | 1.73 | 2.95 | 5.07 | 7.00 |
| | 24 | 0.53 ⁴ | 1.14 | 2.39 | 3.41 | 0.83 | 1.58 | 3.13 | 4.35 | 1.11 | 2.12 | 4.05 | 5.55 | 1.30 | 2.48 | 4.62 | 6.52 |
| 9 | 12 | 0.88 | 1.48 | 2.62 | 3.57 | 1.19 | 1.92 | 3.32 | 4.45 | 1.50 | 2.46 | 4.20 | 5.58 | 1.69 | 2.87 | 4.83 | 6.53 |
| | 16 | 0.66 | 1.25 | 2.40 | 3.34 | 0.95 | 1.66 | 3.08 | 4.20 | 1.23 | 2.19 | 3.93 | 5.31 | 1.42 | 2.57 | 4.54 | 6.23 |
| | 24 | 0.25 ³ | 0.82 ⁴ | 1.99 | 2.92 | 0.51 ³ | 1.20 | 2.63 | 3.74 | 0.75 ⁴ | 1.67 | 3.43 | 4.80 | 0.92 | 2.01 | 3.99 | 5.67 |
| 10 | 12 | 0.68 | 1.24 | 2.28 | 3.14 | 0.96 | 1.63 | 2.90 | 3.92 | 1.23 | 2.12 | 3.68 | 4.92 | 1.41 | 2.51 | 4.32 | 5.78 |
| | 16 | 0.43 ³ | 0.98 ⁴ | 2.03 | 2.88 | 0.69 ⁴ | 1.34 | 2.63 | 3.64 | 0.94 ⁴ | 1.81 | 3.38 | 4.62 | 1.11 | 2.17 | 3.98 | 5.44 |
| | 24 | 0.50 ³ | 1.58 ³ | 2.41 ⁴ | 3.21 ⁴ | 0.21 ³ | 0.83 ³ | 2.13 ⁴ | 3.12 | 0.40 ³ | 1.24 ⁴ | 2.82 | 4.05 | 0.55 ³ | 1.54 | 3.36 | 4.81 |
| 12 | 12 | 0.31 ³ | 0.77 ³ | 1.60 ⁴ | 2.28 | 0.52 ³ | 1.07 ⁴ | 2.06 | 2.86 | 0.73 ³ | 1.46 | 2.65 | 3.63 | 0.88 ⁴ | 1.77 | 3.16 | 4.31 |
| | 16 | 0.47 ³ | 1.33 ³ | 1.93 ³ | 2.22 ² | 0.75 ³ | 1.76 ³ | 2.55 ⁴ | 3.29 | 0.40 ³ | 1.10 ³ | 2.32 ⁴ | 3.29 | 0.53 ³ | 1.37 ⁴ | 2.78 | 3.93 |
| | 24 | 0.84 ² | 1.48 ³ | 2.11 ³ | 2.82 ³ | 0.19 ² | 0.72 ³ | 1.24 ³ | 2.00 ³ | 0.48 ³ | 1.73 ³ | 2.68 ³ | 3.63 | 0.67 ³ | 1.54 | 3.36 | 4.81 |
| 14 | 12 | 0.37 ² | 1.05 ³ | 1.58 ³ | 2.19 ³ | 0.17 ² | 0.60 ³ | 1.39 ³ | 2.01 ³ | 0.31 ² | 0.89 ³ | 1.82 ³ | 2.59 ⁴ | 0.43 ³ | 1.12 ³ | 2.19 ⁴ | 3.10 |
| | 16 | 0.78 ² | 1.29 ³ | 1.93 ³ | 2.63 ³ | 0.28 ² | 0.89 ³ | 1.63 ³ | 2.33 ³ | 0.53 ² | 1.49 ³ | 2.25 ³ | 3.03 ³ | 0.71 ³ | 1.54 ³ | 2.82 ³ | 3.93 |
| | 24 | 0.31 ¹ | 0.79 ² | 1.58 ² | 2.28 ² | 0.11 ¹ | 0.41 ¹ | 0.94 ² | 1.37 ² | 0.11 ¹ | 0.41 ¹ | 0.94 ² | 1.37 ² | 0.11 ¹ | 0.41 ¹ | 0.94 ² | 1.37 ² |
| 16 | 12 | 0.65 ² | 1.06 ² | 1.75 ³ | 2.41 ³ | 0.25 ² | 0.90 ² | 1.39 ² | 2.01 ² | 0.46 ² | 1.21 ³ | 1.83 ³ | 2.59 ⁴ | 0.61 ² | 1.49 ³ | 2.21 ³ | 3.10 |
| | 16 | 0.39 ¹ | 0.78 ² | 1.48 ² | 2.11 ² | 0.15 ¹ | 0.59 ¹ | 1.18 ² | 1.72 ² | 0.12 ¹ | 0.40 ² | 0.90 ² | 1.50 ² | 0.22 ² | 1.13 ² | 1.84 ³ | 2.63 ³ |
| | 24 | 0.11 ¹ | 0.41 ¹ | 0.94 ¹ | 1.37 ¹ | 0.04 ¹ | 0.15 ¹ | 0.31 ¹ | 0.46 ¹ | 0.04 ¹ | 0.15 ¹ | 0.31 ¹ | 0.46 ¹ | 0.04 ¹ | 0.15 ¹ | 0.31 ¹ | 0.46 ¹ |

If no note, deflection meets L/720 1. Deflection meets L/120 2. Deflection meets L/240 3. Deflection meets L/360 4. Deflection meets L/600

COMBINED AXIAL AND LATERAL LOADS

20 psf Lateral Load

| 3 5/8" MEMBERS | | | | | | | | | | | | | | | | | |
|------------------|-------------------------|-------------------|-------------------|-------------------|-------------------|-------------------|-------------------|-------------------|-------------------|-------------------|-------------------|-------------------|-------------------|-------------------|-------------------|-------------------|-------------------|
| Wall Height (ft) | Stud Spacing (in.) o.c. | 362S137 | | | | 362S162 | | | | 362S200 | | | | 362S250 | | | |
| | | 33 ksi | | 50 ksi | | 33 ksi | | 50 ksi | | 33 ksi | | 50 ksi | | 33 ksi | | 50 ksi | |
| | | 33 | 43 | 54 | 68 | 33 | 43 | 54 | 68 | 33 | 43 | 54 | 68 | 33 | 43 | 54 | 68 |
| 8 | 12 | 0.89 | 1.52 | 2.74 | 3.78 | 1.22 | 1.98 | 3.51 | 4.74 | 1.53 | 2.56 | 4.48 | 5.98 | 1.73 | 2.95 | 5.07 | 7.00 |
| | 16 | 0.65 | 1.27 | 2.51 | 3.53 | 0.96 | 1.71 | 3.26 | 4.48 | 1.25 | 2.26 | 4.19 | 5.69 | 1.44 | 2.63 | 4.77 | 6.68 |
| | 24 | 0.21 ³ | 0.80 ⁴ | 2.06 | 3.07 | 0.48 ⁴ | 1.20 | 2.77 | 3.98 | 0.72 ⁴ | 1.71 | 3.64 | 5.15 | 0.89 | 2.04 | 4.18 | 6.07 |
| 9 | 12 | 0.66 | 1.25 | 2.40 | 3.34 | 0.95 | 1.66 | 3.08 | 4.20 | 1.23 | 2.19 | 3.93 | 5.31 | 1.42 | 2.57 | 4.54 | 6.23 |
| | 16 | 0.38 ³ | 0.96 ⁴ | 2.12 | 3.05 | 0.65 ⁴ | 1.35 | 2.78 | 3.89 | 0.91 | 1.84 | 3.59 | 4.97 | 1.08 | 2.19 | 4.17 | 5.85 |
| | 24 | 0.42 ³ | 1.61 ³ | 2.52 ⁴ | | 0.11 ³ | 0.77 ³ | 2.21 ⁴ | 3.31 | 0.31 ³ | 1.20 ⁴ | 2.96 | 4.33 | 0.46 ³ | 1.49 | 3.48 | 5.14 |
| 10 | 12 | 0.43 ³ | 0.98 ⁴ | 2.03 | 2.88 | 0.69 ⁴ | 1.34 | 2.63 | 3.64 | 0.94 ⁴ | 1.81 | 3.38 | 4.62 | 1.11 | 2.17 | 3.98 | 5.44 |
| | 16 | 0.13 ³ | 0.65 ³ | 1.72 ⁴ | 2.56 | 0.36 ³ | 0.99 ³ | 2.29 | 3.29 | 0.57 ³ | 1.42 ⁴ | 3.00 | 4.23 | 0.73 ⁴ | 1.74 | 3.56 | 5.02 |
| | 24 | | | 1.17 ³ | 1.97 ³ | | 0.36 ³ | 1.68 ³ | 2.65 ³ | | 0.73 ³ | 2.32 ³ | 3.54 ⁴ | | 0.97 ³ | 2.80 ⁴ | 4.23 |
| 12 | 12 | | 0.47 ³ | 1.33 ³ | 1.99 ³ | 0.22 ² | 0.75 ³ | 1.76 ³ | 2.55 ⁴ | 0.40 ³ | 1.10 ³ | 2.32 ⁴ | 3.29 | 0.53 ³ | 1.37 ⁴ | 2.78 | 3.93 |
| | 16 | | 0.11 ² | 1.00 ³ | 1.64 ³ | | 0.37 ² | 1.40 ³ | 2.17 ³ | | 0.68 ³ | 1.91 ³ | 2.88 ⁴ | 0.11 ² | 0.90 ³ | 2.33 ³ | 3.46 ⁴ |
| | 24 | | | 0.42 ² | 1.03 ² | | | 0.78 ² | 1.51 ² | | | 1.21 ² | 2.15 ³ | | | 1.53 ³ | 2.63 ³ |
| 14 | 12 | | | 0.78 ² | 1.29 ³ | | 0.28 ² | 1.09 ² | 1.70 ³ | | 0.53 ² | 1.49 ³ | 2.25 ³ | | 0.71 ³ | 1.82 ³ | 2.72 ⁴ |
| | 16 | | | 0.46 ¹ | 0.95 ² | | | 0.75 ² | 1.34 ² | | 0.11 ² | 1.10 ² | 1.84 ³ | | 0.23 ² | 1.37 ² | 2.26 ³ |
| | 24 | | | | 0.36 ¹ | | | 0.15 ¹ | 0.70 ¹ | | | 0.43 ¹ | 1.14 ² | | | 0.61 ¹ | 1.46 ² |
| 16 | 12 | | | 0.39 ¹ | 0.78 ² | | | 0.62 ¹ | 1.09 ² | | 0.12 ¹ | 0.90 ² | 1.50 ² | | 0.22 ² | 1.13 ² | 1.84 ³ |
| | 16 | | | | 0.46 ¹ | | | 0.29 ¹ | 0.75 ¹ | | | 0.54 ¹ | 1.12 ² | | | 0.71 ¹ | 1.41 ² |
| | 24 | | | | | | | | 0.16 ¹ | | | 0.47 ¹ | | | | 0.66 ¹ | |

25 psf Lateral Load

| 3 5/8" MEMBERS | | | | | | | | | | | | | | | | | |
|------------------|-------------------------|-------------------|-------------------|-------------------|-------------------|-------------------|-------------------|-------------------|-------------------|-------------------|-------------------|-------------------|-------------------|-------------------|-------------------|-------------------|-------------------|
| Wall Height (ft) | Stud Spacing (in.) o.c. | 362S137 | | | | 362S162 | | | | 362S200 | | | | 362S250 | | | |
| | | 33 ksi | | 50 ksi | | 33 ksi | | 50 ksi | | 33 ksi | | 50 ksi | | 33 ksi | | 50 ksi | |
| | | 33 | 43 | 54 | 68 | 33 | 43 | 54 | 68 | 33 | 43 | 54 | 68 | 33 | 43 | 54 | 68 |
| 8 | 12 | 0.71 | 1.33 | 2.56 | 3.59 | 1.02 | 1.77 | 3.32 | 4.55 | 1.32 | 2.33 | 4.26 | 5.77 | 1.51 | 2.71 | 4.84 | 6.76 |
| | 16 | 0.42 ⁴ | 1.03 | 2.28 | 3.30 | 0.71 | 1.45 | 3.01 | 4.23 | 0.98 | 1.98 | 3.91 | 5.42 | 1.16 | 2.33 | 4.47 | 6.37 |
| | 24 | | 0.47 ³ | 1.75 ⁴ | 2.74 | 0.14 ³ | 0.84 ⁴ | 2.42 | 3.62 | 0.35 ³ | 1.31 | 3.25 | 4.75 | 0.51 ⁴ | 1.61 | 3.77 | 5.64 |
| 9 | 12 | 0.45 ³ | 1.03 | 2.19 | 3.13 | 0.73 ⁴ | 1.42 | 2.85 | 3.97 | 0.99 | 1.92 | 3.68 | 5.05 | 1.16 | 2.28 | 4.26 | 5.95 |
| | 16 | 0.13 ³ | 0.68 ³ | 1.86 ⁴ | 2.78 | 0.37 ³ | 1.05 ⁴ | 2.49 | 3.59 | 0.60 ³ | 1.51 | 3.27 | 4.64 | 0.76 ⁴ | 1.83 | 3.82 | 5.49 |
| | 24 | | | 1.25 ³ | 2.15 ³ | | 0.37 ³ | 1.83 ³ | 2.91 ⁴ | | 0.76 ³ | 2.53 ⁴ | 3.89 | | 1.01 ³ | 3.00 ⁴ | 4.65 |
| 10 | 12 | 0.21 ³ | 0.73 ³ | 1.80 ⁴ | 2.64 | 0.44 ³ | 1.08 ⁴ | 2.37 | 3.37 | 0.66 ³ | 1.52 | 3.09 | 4.33 | 0.82 ⁴ | 1.84 | 3.66 | 5.12 |
| | 16 | | 0.35 ³ | 1.43 ³ | 2.26 ⁴ | | 0.67 ³ | 1.98 ³ | 2.96 ⁴ | 0.24 ³ | 1.06 ³ | 2.65 ⁴ | 3.88 | 0.38 ³ | 1.34 ⁴ | 3.17 | 4.61 |
| | 24 | | | 0.79 ² | 1.57 ³ | | | 1.27 ³ | 2.22 ³ | | 0.26 ³ | 1.85 ³ | 3.06 ³ | | 0.45 ³ | 2.28 ³ | 3.70 ⁴ |
| 12 | 12 | | 0.20 ² | 1.07 ³ | 1.73 ³ | | 0.46 ³ | 1.49 ³ | 2.27 ³ | 0.10 ² | 0.78 ³ | 2.01 ³ | 2.98 ⁴ | 0.21 ³ | 1.01 ³ | 2.44 ⁴ | 3.57 |
| | 16 | | | 0.70 ² | 1.32 ² | | | 1.08 ² | 1.83 ³ | | 0.29 ² | 1.55 ³ | 2.50 ³ | | 0.46 ³ | 1.91 ³ | 3.03 ³ |
| | 24 | | | | 0.62 ¹ | | | 0.36 ¹ | 1.07 ² | | | 0.74 ² | 1.66 ² | | | 1.00 ² | 2.08 ³ |
| 14 | 12 | | | 0.53 ² | 1.03 ² | | | 0.83 ² | 1.42 ² | | 0.21 ² | 1.19 ² | 1.94 ³ | | 0.35 ² | 1.48 ³ | 2.37 ³ |
| | 16 | | | 0.17 ¹ | 0.64 ¹ | | | 0.43 ¹ | 1.01 ² | | | 0.75 ² | 1.48 ² | | | 0.98 ² | 1.84 ³ |
| | 24 | | | | | | | | 0.29 ¹ | | | 0.68 ¹ | | | 0.11 ¹ | 0.93 ² | |
| 16 | 12 | | | 0.16 ¹ | 0.54 ¹ | | | 0.37 ¹ | 0.83 ¹ | | | 0.63 ¹ | 1.21 ² | | | 0.81 ² | 1.51 ² |
| | 16 | | | | 0.17 ¹ | | | | 0.44 ¹ | | | 0.22 ¹ | 0.78 ¹ | | | 0.34 ¹ | 1.01 ² |
| | 24 | | | | | | | | | | | | | | | 0.17 ¹ | |

30 psf Lateral Load

| 3 5/8" MEMBERS | | | | | | | | | | | | | | | | | |
|------------------|-------------------------|-------------------|-------------------|-------------------|-------------------|-------------------|-------------------|-------------------|-------------------|-------------------|-------------------|-------------------|-------------------|-------------------|-------------------|-------------------|-------------------|
| Wall Height (ft) | Stud Spacing (in.) o.c. | 362S137 | | | | 362S162 | | | | 362S200 | | | | 362S250 | | | |
| | | 33 ksi | | 50 ksi | | 33 ksi | | 50 ksi | | 33 ksi | | 50 ksi | | 33 ksi | | 50 ksi | |
| | | 33 | 43 | 54 | 68 | 33 | 43 | 54 | 68 | 33 | 43 | 54 | 68 | 33 | 43 | 54 | 68 |
| 8 | 12 | 0.53 ⁴ | 1.14 | 2.39 | 3.41 | 0.83 | 1.58 | 3.13 | 4.35 | 1.11 | 2.12 | 4.05 | 5.55 | 1.30 | 2.48 | 4.62 | 6.52 |
| | 16 | 0.21 ³ | 0.80 ⁴ | 2.06 | 3.07 | 0.48 ⁴ | 1.20 | 2.77 | 3.98 | 0.72 ⁴ | 1.71 | 3.64 | 5.15 | 0.89 | 2.04 | 4.18 | 6.07 |
| | 24 | | 0.16 ³ | 1.45 ³ | 2.43 ⁴ | | 0.50 ³ | 2.09 ⁴ | 3.28 | | 0.94 ⁴ | 2.88 | 4.38 | 0.15 ³ | 1.21 ⁴ | 3.37 | 5.22 |
| 9 | 12 | 0.25 ³ | 0.82 ⁴ | 1.99 | 2.92 | 0.51 ³ | 1.20 | 2.63 | 3.74 | 0.75 ⁴ | 1.67 | 3.43 | 4.80 | 0.92 | 2.01 | 3.99 | 5.67 |
| | 16 | | 0.42 ³ | 1.61 ³ | 2.52 ⁴ | 0.11 ³ | 0.77 ³ | 2.21 ⁴ | 3.31 | 0.31 ³ | 1.20 ⁴ | 2.96 | 4.33 | 0.46 ³ | 1.49 | 3.48 | 5.14 |
| | 24 | | | 0.92 ³ | 1.79 ³ | | | 1.46 ³ | 2.52 ³ | | 0.35 ³ | 2.12 ³ | 3.46 ⁴ | | 0.56 ³ | 2.55 ³ | 4.17 |
| 10 | 12 | | 0.50 ³ | 1.58 ³ | 2.41 ⁴ | 0.21 ³ | 0.83 ³ | 2.13 ⁴ | 3.12 | 0.40 ³ | 1.24 ⁴ | 2.82 | 4.05 | 0.55 ³ | 1.54 | 3.36 | 4.81 |
| | 16 | | | 1.17 ³ | 1.97 ³ | | 0.36 ³ | 1.68 ³ | 2.65 ³ | | 0.73 ³ | 2.32 ³ | 3.54 ⁴ | | 0.97 ³ | 2.80 ⁴ | 4.23 |
| | 24 | | | 0.44 ² | 1.20 ² | | | 0.89 ² | 1.82 ³ | | | 1.42 ³ | 2.61 ³ | | | 1.79 ³ | 3.19 ³ |
| 12 | 12 | | | 0.84 ² | 1.48 ³ | | 0.19 ² | 1.24 ³ | 2.00 ³ | | 0.48 ³ | 1.73 ³ | 2.68 ³ | | 0.67 ³ | 2.11 ³ | 3.24 ⁴ |
| | 16 | | | 0.42 ² | 1.03 ² | | | 0.78 ² | 1.51 ² | | | 1.21 ² | 2.15 ³ | | | 1.53 ³ | 2.63 ³ |
| | 24 | | | | 0.25 ¹ | | | 0.21 ¹ | 0.67 ¹ | | | 0.31 ¹ | 1.21 ² | | | 0.51 ² | 1.57 ² |
| 14 | 12 | | | 0.31 ¹ | 0.79 ² | | | 0.59 ¹ | 1.17 ² | | | 0.92 ² | 1.66 ² | | | 1.17 ² | 2.04 ³ |
| | 16 | | | | 0.36 ¹ | | | 0.15 ¹ | 0.70 ¹ | | | 0.43 ¹ | 1.14 ² | | | 0.61 ¹ | 1.46 ² |
| | 24 | | | | | | | | | | | 0.26 ¹ | | | | 0.45 ¹ | |
| 16 | 12 | | | | 0.31 ¹ | | | 0.15 ¹ | 0.59 ¹ | | | 0.37 ¹ | 0.95 ¹ | | | 0.52 ¹ | 1.21 ² |
| | 16 | | | | | | | | 0.16 ¹ | | | | 0.47 ¹ | | | | 0.66 ¹ |
| | 24 | | | | | | | | | | | | | | | | |

NOTE: See page 30 for Table Notes.

COMBINED AXIAL AND LATERAL LOADS

35 psf Lateral Load

3 5/8" MEMBERS

| Wall Height (ft) | Stud Spacing (in.) o.c. | 362S137 | | | | 362S162 | | | | 362S200 | | | | 362S250 | | | |
|------------------|-------------------------|-------------------|-------------------|-------------------|-------------------|-------------------|-------------------|-------------------|-------------------|-------------------|-------------------|-------------------|-------------------|-------------------|-------------------|-------------------|-------------------|
| | | 33 ksi | | 50 ksi | | 33 ksi | | 50 ksi | | 33 ksi | | 50 ksi | | 33 ksi | | 50 ksi | |
| | | 33 | 43 | 54 | 68 | 33 | 43 | 54 | 68 | 33 | 43 | 54 | 68 | 33 | 43 | 54 | 68 |
| 8 | 12 | 0.37 ⁴ | 0.97 | 2.23 | 3.24 | 0.65 ⁴ | 1.38 | 2.95 | 4.16 | 0.91 | 1.91 | 3.84 | 5.35 | 1.09 | 2.25 | 4.40 | 6.30 |
| | 16 | | 0.58 ³ | 1.85 ⁴ | 2.85 | 0.25 ³ | 0.96 ⁴ | 2.54 | 3.74 | 0.47 ³ | 1.44 | 3.38 | 4.88 | 0.64 ⁴ | 1.75 | 3.90 | 5.78 |
| | 24 | | | 1.17 ³ | 2.13 ³ | | 0.18 ³ | 1.78 ³ | 2.95 ⁴ | | 0.59 ³ | 2.53 ⁴ | 4.02 | | 0.82 ⁴ | 2.98 | 4.81 |
| 9 | 12 | | 0.61 ³ | 1.79 ⁴ | 2.71 | 0.31 ³ | 0.98 ⁴ | 2.42 | 3.52 | 0.52 ³ | 1.43 | 3.19 | 4.56 | 0.68 ⁴ | 1.75 | 3.73 | 5.40 |
| | 16 | | 0.17 ³ | 1.37 ³ | 2.27 ⁴ | | 0.50 ³ | 1.95 ³ | 3.04 ⁴ | | 0.91 ³ | 2.67 ⁴ | 4.03 | 0.17 ³ | 1.17 ⁴ | 3.16 | 4.81 |
| | 24 | | | 0.61 ² | 1.46 ³ | | | 1.11 ³ | 2.16 ³ | | | 1.73 ³ | 3.06 ³ | | 0.13 ³ | 2.12 ³ | 3.72 ⁴ |
| 10 | 12 | | 0.28 ³ | 1.37 ³ | 2.19 ³ | | 0.59 ³ | 1.90 ³ | 2.88 ⁴ | 0.16 ³ | 0.98 ³ | 2.56 ⁴ | 3.79 | 0.30 ³ | 1.25 ⁴ | 3.07 | 4.52 |
| | 16 | | | 0.91 ³ | 1.71 ³ | | | 1.40 ³ | 2.36 ³ | | 0.41 ³ | 2.00 ³ | 3.21 ⁴ | | 0.62 ³ | 2.45 ³ | 3.87 ⁴ |
| | 24 | | | 0.11 ² | 0.85 ² | | | 0.52 ² | 1.43 ² | | | 1.02 ² | 2.19 ³ | | | 1.34 ³ | 2.72 ³ |
| 12 | 12 | | | 0.62 ² | 1.25 ² | | | 1.00 ² | 1.75 ³ | | 0.20 ² | 1.46 ³ | 2.41 ³ | | 0.36 ³ | 1.81 ³ | 2.93 ³ |
| | 16 | | | 0.16 ¹ | 0.75 ² | | | 0.49 ² | 1.22 ² | | | 0.89 ² | 1.82 ² | | | 1.17 ² | 2.26 ³ |
| | 24 | | | | | | | | 0.29 ¹ | | | 0.79 ¹ | | | | | 1.09 ² |
| 14 | 12 | | | 0.10 ¹ | 0.57 ¹ | | | 0.36 ¹ | 0.93 ² | | | 0.67 ² | 1.39 ² | | | 0.88 ² | 1.74 ² |
| | 16 | | | | 0.10 ¹ | | | | 0.42 ¹ | | | 0.13 ¹ | 0.83 ¹ | | | 0.27 ¹ | 1.10 ² |
| | 24 | | | | | | | | | | | | | | | | |
| 16 | 12 | | | | 0.11 ¹ | | | | 0.37 ¹ | | | 0.14 ¹ | 0.70 ¹ | | | 0.26 ¹ | 0.92 ¹ |
| | 16 | | | | | | | | | | | | 0.18 ¹ | | | | 0.33 ¹ |
| | 24 | | | | | | | | | | | | | | | | |

40 psf Lateral Load

3 5/8" MEMBERS

| Wall Height (ft) | Stud Spacing (in.) o.c. | 362S137 | | | | 362S162 | | | | 362S200 | | | | 362S250 | | | |
|------------------|-------------------------|-------------------|-------------------|-------------------|-------------------|-------------------|-------------------|-------------------|-------------------|-------------------|-------------------|-------------------|-------------------|-------------------|-------------------|-------------------|-------------------|
| | | 33 ksi | | 50 ksi | | 33 ksi | | 50 ksi | | 33 ksi | | 50 ksi | | 33 ksi | | 50 ksi | |
| | | 33 | 43 | 54 | 68 | 33 | 43 | 54 | 68 | 33 | 43 | 54 | 68 | 33 | 43 | 54 | 68 |
| 8 | 12 | 0.21 ³ | 0.80 ⁴ | 2.06 | 3.07 | 0.48 ⁴ | 1.20 | 2.77 | 3.98 | 0.72 ⁴ | 1.71 | 3.64 | 5.15 | 0.89 | 2.04 | 4.18 | 6.07 |
| | 16 | | 0.36 ³ | 1.65 ⁴ | 2.64 | | 0.73 ³ | 2.31 ⁴ | 3.51 | 0.23 ³ | 1.19 ⁴ | 3.13 | 4.63 | 0.39 ³ | 1.48 | 3.63 | 5.50 |
| | 24 | | | 0.89 ³ | 1.83 ³ | | | 1.47 ³ | 2.63 ³ | | 0.24 ³ | 2.19 ³ | 3.66 ⁴ | | 0.45 ³ | 2.61 ⁴ | 4.42 |
| 9 | 12 | | 0.42 ³ | 1.61 ³ | 2.52 ⁴ | 0.11 ³ | 0.77 ³ | 2.21 ⁴ | 3.31 | 0.31 ³ | 1.20 ⁴ | 2.96 | 4.33 | 0.46 ³ | 1.49 | 3.48 | 5.14 |
| | 16 | | | 1.14 ³ | 2.03 ³ | | 0.24 ³ | 1.70 ³ | 2.78 ⁴ | | 0.62 ³ | 2.39 ³ | 3.74 | | 0.86 ³ | 2.85 ⁴ | 4.49 |
| | 24 | | | 0.31 ² | 1.14 ² | | | 0.78 ² | 1.81 ³ | | | 1.36 ³ | 2.68 ³ | | 1.72 ³ | 3.29 ³ | |
| 10 | 12 | | | 1.17 ³ | 1.97 ³ | | 0.36 ³ | 1.68 ³ | 2.65 ³ | | 0.73 ³ | 2.32 ³ | 3.54 ⁴ | | 0.97 ³ | 2.80 ⁴ | 4.23 |
| | 16 | | | 0.67 ² | 1.45 ³ | | | 1.14 ³ | 2.08 ³ | | 0.11 ² | 1.71 ³ | 2.91 ³ | | 0.28 ³ | 2.11 ³ | 3.53 ⁴ |
| | 24 | | | | 0.52 ² | | | 0.18 ² | 1.07 ² | | | 0.63 ² | 1.79 ² | | | 0.90 ² | 2.27 ³ |
| 12 | 12 | | | 0.42 ² | 1.03 ² | | | 0.78 ² | 1.51 ² | | | 1.21 ² | 2.15 ³ | | | 1.53 ³ | 2.63 ³ |
| | 16 | | | | 0.49 ¹ | | | 0.23 ¹ | 0.94 ² | | | 0.59 ² | 1.51 ² | | | 0.83 ² | 1.90 ² |
| | 24 | | | | | | | | | | | 0.40 ¹ | | | | 0.65 ¹ | |
| 14 | 12 | | | | 0.36 ¹ | | | 0.15 ¹ | 0.70 ¹ | | | 0.43 ¹ | 1.14 ² | | | 0.61 ¹ | 1.46 ² |
| | 16 | | | | | | | | 0.16 ¹ | | | 0.54 ¹ | | | | 0.77 ¹ | |
| | 24 | | | | | | | | | | | | | | | | |
| 16 | 12 | | | | | | | | 0.16 ¹ | | | 0.47 ¹ | | | | | 0.66 ¹ |
| | 16 | | | | | | | | | | | | | | | | |
| | 24 | | | | | | | | | | | | | | | | |

50 psf Lateral Load

3 5/8" MEMBERS

| Wall Height (ft) | Stud Spacing (in.) o.c. | 362S137 | | | | 362S162 | | | | 362S200 | | | | 362S250 | | | |
|------------------|-------------------------|---------|-------------------|-------------------|-------------------|-------------------|-------------------|-------------------|-------------------|-------------------|-------------------|-------------------|-------------------|-------------------|-------------------|-------------------|-------------------|
| | | 33 ksi | | 50 ksi | | 33 ksi | | 50 ksi | | 33 ksi | | 50 ksi | | 33 ksi | | 50 ksi | |
| | | 33 | 43 | 54 | 68 | 33 | 43 | 54 | 68 | 33 | 43 | 54 | 68 | 33 | 43 | 54 | 68 |
| 8 | 12 | | 0.47 ³ | 1.75 ⁴ | 2.74 | 0.14 ³ | 0.84 ⁴ | 2.42 | 3.62 | 0.35 ³ | 1.31 | 3.25 | 4.75 | 0.51 ⁴ | 1.61 | 3.77 | 5.64 |
| | 16 | | | 1.26 ³ | 2.23 ⁴ | | 0.29 ³ | 1.88 ³ | 3.06 ⁴ | | 0.70 ³ | 2.65 ⁴ | 4.13 | | 0.95 ⁴ | 3.11 | 4.95 |
| | 24 | | | 0.37 ² | 1.28 ³ | | | 0.90 ³ | 2.03 ³ | | | 1.54 ³ | 3.00 ³ | | | 1.91 ³ | 3.67 ⁴ |
| 9 | 12 | | | 1.25 ³ | 2.15 ³ | | 0.37 ³ | 1.83 ³ | 2.91 ⁴ | | 0.76 ³ | 2.53 ⁴ | 3.89 | | 1.01 ³ | 3.00 ⁴ | 4.65 |
| | 16 | | | 0.71 ² | 1.57 ³ | | | 1.23 ³ | 2.28 ³ | | | 1.86 ³ | 3.19 ³ | | 0.27 ³ | 2.27 ³ | 3.87 ⁴ |
| | 24 | | | | 0.54 ² | | | 0.17 ² | 1.16 ² | | | 0.66 ² | 1.95 ³ | | | 0.94 ² | 2.48 ³ |
| 10 | 12 | | | 0.79 ² | 1.57 ³ | | | 1.27 ³ | 2.22 ³ | | 0.26 ³ | 1.85 ³ | 3.06 ³ | | 0.45 ³ | 2.28 ³ | 3.70 ⁴ |
| | 16 | | | 0.22 ² | 0.97 ² | | | 0.64 ² | 1.56 ² | | | 1.15 ² | 2.33 ³ | | | 1.49 ³ | 2.87 ³ |
| | 24 | | | | | | | | 0.40 ¹ | | | 1.04 ² | | | 0.10 ² | 1.42 ² | |
| 12 | 12 | | | | 0.62 ¹ | | | 0.36 ¹ | 1.07 ² | | | 0.74 ² | 1.66 ² | | | 1.00 ² | 2.08 ³ |
| | 16 | | | | | | | | 0.41 ¹ | | | 0.93 ² | | | 0.20 ¹ | 1.25 ² | |
| | 24 | | | | | | | | | | | | | | | | |
| 14 | 12 | | | | | | | | 0.29 ¹ | | | 0.68 ¹ | | | | 0.11 ¹ | 0.93 ² |
| | 16 | | | | | | | | | | | | | | | | 0.15 ¹ |
| | 24 | | | | | | | | | | | | | | | | |
| 16 | 12 | | | | | | | | | | | | | | | | 0.17 ¹ |
| | 16 | | | | | | | | | | | | | | | | |
| | 24 | | | | | | | | | | | | | | | | |

NOTE: See page 30 for Table Notes.

COMBINED AXIAL AND LATERAL LOADS

5 psf Lateral Load (Interior Walls)

| 4" MEMBERS | | | | | | | | | | | | | | | | | |
|------------------|-------------------------|-------------------|-------------------|-------------------|-------------------|-------------------|-------------------|-------------------|-------------------|-------------------|-------------------|-------------------|-------------------|-------------------|-------------------|-------------------|-------------------|
| Wall Height (ft) | Stud Spacing (in.) o.c. | 400S137 | | | | 400S162 | | | | 400S200 | | | | 400S250 | | | |
| | | 33 ksi | | 50 ksi | | 33 ksi | | 50 ksi | | 33 ksi | | 50 ksi | | 33 ksi | | 50 ksi | |
| | | 33 | 43 | 54 | 68 | 33 | 43 | 54 | 68 | 33 | 43 | 54 | 68 | 33 | 43 | 54 | 68 |
| 8 | 12 | 1.60 | 2.31 | 3.66 | 4.97 | 2.02 | 2.86 | 4.60 | 6.17 | 2.39 | 3.55 | 5.77 | 7.62 | 2.60 | 3.97 | 6.26 | 8.66 |
| | 16 | 1.54 | 2.24 | 3.60 | 4.90 | 1.95 | 2.79 | 4.53 | 6.10 | 2.32 | 3.47 | 5.69 | 7.54 | 2.52 | 3.88 | 6.18 | 8.58 |
| | 24 | 1.41 | 2.11 | 3.47 | 4.77 | 1.81 | 2.65 | 4.40 | 5.96 | 2.17 | 3.32 | 5.54 | 7.39 | 2.37 | 3.72 | 6.03 | 8.41 |
| 9 | 12 | 1.51 | 2.20 | 3.48 | 4.78 | 1.90 | 2.72 | 4.35 | 5.84 | 2.26 | 3.36 | 5.42 | 7.18 | 2.47 | 3.80 | 6.02 | 8.27 |
| | 16 | 1.43 | 2.11 | 3.40 | 4.69 | 1.81 | 2.63 | 4.26 | 5.75 | 2.17 | 3.26 | 5.32 | 7.08 | 2.37 | 3.69 | 5.92 | 8.16 |
| | 24 | 1.27 | 1.95 | 3.24 | 4.52 | 1.64 | 2.45 | 4.09 | 5.57 | 1.98 | 3.07 | 5.13 | 6.88 | 2.18 | 3.49 | 5.72 | 7.95 |
| 10 | 12 | 1.40 | 2.07 | 3.27 | 4.47 | 1.77 | 2.55 | 4.06 | 5.46 | 2.11 | 3.16 | 5.04 | 6.68 | 2.31 | 3.60 | 5.69 | 7.77 |
| | 16 | 1.30 | 1.96 | 3.17 | 4.37 | 1.66 | 2.44 | 3.95 | 5.34 | 2.00 | 3.03 | 4.92 | 6.56 | 2.20 | 3.47 | 5.57 | 7.63 |
| | 24 | 1.11 | 1.76 | 2.98 | 4.16 | 1.45 | 2.22 | 3.74 | 5.12 | 1.77 | 2.80 | 4.68 | 6.32 | 1.97 | 3.22 | 5.32 | 7.37 |
| 12 | 12 | 1.15 | 1.75 | 2.75 | 3.73 | 1.46 | 2.16 | 3.39 | 4.53 | 1.78 | 2.68 | 4.18 | 5.55 | 1.97 | 3.14 | 4.91 | 6.49 |
| | 16 | 1.02 | 1.61 | 2.62 | 3.59 | 1.31 | 2.01 | 3.24 | 4.38 | 1.62 | 2.52 | 4.03 | 5.39 | 1.81 | 2.96 | 4.73 | 6.31 |
| | 24 | 0.78 ³ | 1.35 ⁴ | 2.38 | 3.33 | 1.05 ⁴ | 1.73 | 2.98 | 4.10 | 1.33 | 2.22 | 3.73 | 5.08 | 1.52 | 2.62 | 4.40 | 5.96 |
| 14 | 12 | 0.88 ⁴ | 1.41 | 2.20 | 2.95 | 1.13 | 1.74 | 2.69 | 3.56 | 1.42 | 2.18 | 3.31 | 4.37 | 1.60 | 2.58 | 3.91 | 5.14 |
| | 16 | 0.73 ³ | 1.24 ⁴ | 2.05 | 2.79 | 0.97 ³ | 1.57 | 2.53 | 3.39 | 1.23 ⁴ | 1.99 | 3.14 | 4.19 | 1.41 | 2.37 | 3.71 | 4.94 |
| | 24 | 0.47 ² | 0.95 ³ | 1.78 ³ | 2.51 ⁴ | 0.68 ³ | 1.26 ³ | 2.23 ⁴ | 3.09 | 0.91 ³ | 1.64 ⁴ | 2.81 | 3.85 | 1.07 ³ | 1.98 ⁴ | 3.34 | 4.56 |
| 16 | 12 | 0.64 ³ | 1.07 ³ | 1.72 | 2.29 | 0.84 ³ | 1.35 ⁴ | 2.10 | 2.77 | 1.07 ⁴ | 1.70 | 2.59 | 3.40 | 1.25 ⁴ | 2.03 | 3.06 | 4.03 |
| | 16 | 0.48 ² | 0.90 ³ | 1.56 ³ | 2.13 ⁴ | 0.67 ³ | 1.16 ³ | 1.93 ⁴ | 2.60 | 0.88 ³ | 1.50 ⁴ | 2.41 | 3.22 | 1.04 ³ | 1.81 ⁴ | 2.85 | 3.82 |
| | 24 | 0.21 ¹ | 0.60 ² | 1.29 ³ | 1.84 ³ | 0.38 ² | 0.84 ² | 1.64 ³ | 2.29 ³ | 0.55 ² | 1.15 ³ | 2.08 ³ | 2.88 ⁴ | 0.69 ² | 1.41 ³ | 2.48 ³ | 3.44 ³ |

15 psf Lateral Load

| 4" MEMBERS | | | | | | | | | | | | | | | | | |
|------------------|-------------------------|-------------------|-------------------|-------------------|-------------------|-------------------|-------------------|-------------------|-------------------|-------------------|-------------------|-------------------|-------------------|-------------------|-------------------|-------------------|-------------------|
| Wall Height (ft) | Stud Spacing (in.) o.c. | 400S137 | | | | 400S162 | | | | 400S200 | | | | 400S250 | | | |
| | | 33 ksi | | 50 ksi | | 33 ksi | | 50 ksi | | 33 ksi | | 50 ksi | | 33 ksi | | 50 ksi | |
| | | 33 | 43 | 54 | 68 | 33 | 43 | 54 | 68 | 33 | 43 | 54 | 68 | 33 | 43 | 54 | 68 |
| 8 | 12 | 1.22 | 1.92 | 3.29 | 4.59 | 1.61 | 2.44 | 4.20 | 5.75 | 1.95 | 3.09 | 5.31 | 7.16 | 2.15 | 3.49 | 5.80 | 8.17 |
| | 16 | 1.04 | 1.73 | 3.12 | 4.40 | 1.41 | 2.24 | 4.00 | 5.55 | 1.74 | 2.87 | 5.10 | 6.94 | 1.94 | 3.26 | 5.58 | 7.94 |
| | 24 | 0.69 | 1.37 | 2.78 | 4.04 | 1.03 | 1.85 | 3.63 | 5.16 | 1.33 | 2.45 | 4.67 | 6.52 | 1.53 | 2.81 | 5.15 | 7.48 |
| 9 | 12 | 1.04 | 1.71 | 3.02 | 4.28 | 1.39 | 2.19 | 3.84 | 5.31 | 1.71 | 2.79 | 4.85 | 6.60 | 1.91 | 3.19 | 5.43 | 7.64 |
| | 16 | 0.82 | 1.48 | 2.80 | 4.05 | 1.15 | 1.94 | 3.60 | 5.06 | 1.45 | 2.52 | 4.59 | 6.33 | 1.65 | 2.90 | 5.15 | 7.34 |
| | 24 | 0.41 ⁴ | 1.05 | 2.39 | 3.60 | 0.71 ⁴ | 1.48 | 3.15 | 4.58 | 0.97 | 2.02 | 4.08 | 5.80 | 1.16 | 2.36 | 4.61 | 6.77 |
| 10 | 12 | 0.84 | 1.48 | 2.71 | 3.87 | 1.16 | 1.92 | 3.45 | 4.81 | 1.46 | 2.47 | 4.35 | 5.98 | 1.65 | 2.86 | 4.97 | 7.00 |
| | 16 | 0.59 ⁴ | 1.21 | 2.46 | 3.60 | 0.89 | 1.63 | 3.17 | 4.51 | 1.16 | 2.16 | 4.04 | 5.66 | 1.35 | 2.53 | 4.63 | 6.64 |
| | 24 | 0.14 ³ | 0.72 ³ | 1.99 ⁴ | 3.09 | 0.40 ³ | 1.11 ⁴ | 2.65 | 3.96 | 0.62 ³ | 1.58 | 3.46 | 5.05 | 0.79 ⁴ | 1.90 | 4.01 | 5.97 |
| 12 | 12 | 0.46 ³ | 1.00 ⁴ | 2.04 | 2.97 | 0.70 ⁴ | 1.36 | 2.61 | 3.71 | 0.95 ⁴ | 1.80 | 3.32 | 4.65 | 1.12 | 2.16 | 3.95 | 5.49 |
| | 16 | 0.17 ³ | 0.69 ³ | 1.74 ⁴ | 2.65 | 0.39 ³ | 1.02 ³ | 2.28 ⁴ | 3.36 | 0.60 ³ | 1.43 ⁴ | 2.96 | 4.27 | 0.75 ³ | 1.75 | 3.53 | 5.06 |
| | 24 | | 0.13 ² | 1.20 ³ | 2.06 ³ | | 0.42 ³ | 1.70 ³ | 2.72 ³ | | 0.77 ³ | 2.30 ³ | 3.57 ⁴ | 0.11 ³ | 1.01 ³ | 2.79 ⁴ | 4.28 |
| 14 | 12 | 0.13 ² | 0.57 ³ | 1.43 ³ | 2.13 ⁴ | 0.31 ³ | 0.85 ³ | 1.85 ³ | 2.68 | 0.49 ³ | 1.20 ³ | 2.39 ⁴ | 3.41 | 0.63 ³ | 1.48 ⁴ | 2.86 | 4.06 |
| | 16 | | 0.24 ² | 1.11 ³ | 1.79 ³ | | 0.49 ³ | 1.51 ³ | 2.32 ³ | 0.13 ² | 0.80 ³ | 2.01 ³ | 3.01 ⁴ | 0.24 ³ | 1.03 ³ | 2.43 ³ | 3.61 |
| | 24 | | | 0.57 ² | 1.21 ² | | | 0.92 ² | 1.69 ³ | | 0.12 ² | 1.35 ² | 2.32 ³ | | 0.26 ² | 1.69 ³ | 2.83 ³ |
| 16 | 12 | | 0.22 ² | 0.94 ² | 1.47 ³ | | 0.43 ² | 1.26 ³ | 1.90 ³ | 0.13 ² | 0.70 ³ | 1.66 ³ | 2.45 ³ | 0.23 ² | 0.90 ³ | 2.01 ³ | 2.94 ⁴ |
| | 16 | | | 0.63 ² | 1.15 ² | | | 0.93 ² | 1.55 ³ | | 0.31 ² | 1.30 ² | 2.07 ³ | | 0.46 ² | 1.59 ³ | 2.51 ³ |
| | 24 | | | 0.11 ¹ | 0.60 ¹ | | | 0.37 ¹ | 0.96 ² | | | 0.67 ¹ | 1.41 ² | | 0.88 ² | 1.76 ² | |

20 psf Lateral Load

| 4" MEMBERS | | | | | | | | | | | | | | | | | |
|------------------|-------------------------|-------------------|-------------------|-------------------|-------------------|-------------------|-------------------|-------------------|-------------------|-------------------|-------------------|-------------------|-------------------|-------------------|-------------------|-------------------|-------------------|
| Wall Height (ft) | Stud Spacing (in.) o.c. | 400S137 | | | | 400S162 | | | | 400S200 | | | | 400S250 | | | |
| | | 33 ksi | | 50 ksi | | 33 ksi | | 50 ksi | | 33 ksi | | 50 ksi | | 33 ksi | | 50 ksi | |
| | | 33 | 43 | 54 | 68 | 33 | 43 | 54 | 68 | 33 | 43 | 54 | 68 | 33 | 43 | 54 | 68 |
| 8 | 12 | 1.04 | 1.73 | 3.12 | 4.40 | 1.41 | 2.24 | 4.00 | 5.55 | 1.74 | 2.87 | 5.10 | 6.94 | 1.94 | 3.26 | 5.58 | 7.94 |
| | 16 | 0.81 | 1.49 | 2.89 | 4.16 | 1.16 | 1.98 | 3.75 | 5.29 | 1.46 | 2.59 | 4.81 | 6.66 | 1.66 | 2.96 | 5.29 | 7.63 |
| | 24 | 0.37 ⁴ | 1.03 | 2.45 | 3.70 | 0.68 | 1.48 | 3.27 | 4.78 | 0.95 | 2.04 | 4.27 | 6.10 | 1.14 | 2.38 | 4.73 | 7.03 |
| 9 | 12 | 0.82 | 1.48 | 2.80 | 4.05 | 1.15 | 1.94 | 3.60 | 5.06 | 1.45 | 2.52 | 4.59 | 6.33 | 1.65 | 2.90 | 5.15 | 7.34 |
| | 16 | 0.55 ⁴ | 1.19 | 2.52 | 3.75 | 0.85 | 1.63 | 3.30 | 4.73 | 1.13 | 2.18 | 4.24 | 5.97 | 1.32 | 2.54 | 4.79 | 6.95 |
| | 24 | | 0.65 ³ | 2.01 | 3.19 | 0.30 ³ | 1.05 ⁴ | 2.72 | 4.12 | 0.53 ⁴ | 1.55 | 3.60 | 5.31 | 0.70 ⁴ | 1.86 | 4.11 | 6.22 |
| 10 | 12 | 0.59 ⁴ | 1.21 | 2.46 | 3.60 | 0.89 | 1.63 | 3.17 | 4.51 | 1.16 | 2.16 | 4.04 | 5.66 | 1.35 | 2.53 | 4.63 | 6.64 |
| | 16 | 0.29 ³ | 0.88 ⁴ | 2.14 | 3.25 | 0.55 ³ | 1.28 | 2.82 | 4.14 | 0.80 ⁴ | 1.77 | 3.65 | 5.25 | 0.97 | 2.10 | 4.21 | 6.18 |
| | 24 | | 0.28 ³ | 1.55 ³ | 2.62 ⁴ | | 0.63 ³ | 2.17 ⁴ | 3.45 | 0.13 ³ | 1.06 ³ | 2.93 | 4.49 | 0.28 ³ | 1.33 ⁴ | 3.43 | 5.34 |
| 12 | 12 | 0.17 ³ | 0.69 ³ | 1.74 ⁴ | 2.65 | 0.39 ³ | 1.02 ³ | 2.28 ⁴ | 3.36 | 0.60 ³ | 1.43 ⁴ | 2.96 | 4.27 | 0.75 ³ | 1.75 | 3.53 | 5.06 |
| | 16 | | 0.31 ³ | 1.37 ³ | 2.25 ³ | | 0.61 ³ | 1.88 ³ | 2.93 ⁴ | | 0.18 ³ | 0.98 ³ | 2.51 ⁴ | 3.79 | 0.32 ³ | 1.25 ³ | 3.03 ⁴ |
| | 24 | | | 0.73 ² | 1.54 ³ | | | 1.18 ² | 2.16 ³ | | 0.19 ² | 1.72 ³ | 2.95 ³ | | 0.36 ³ | 2.13 ³ | 3.58 ³ |
| 14 | 12 | | 0.24 ² | 1.11 ³ | 1.79 ³ | | 0.49 ³ | 1.51 ³ | 2.32 ³ | 0.13 ² | 0.80 ³ | 2.01 ³ | 3.01 ⁴ | 0.24 ³ | 1.03 ³ | 2.43 ³ | 3.61 |
| | 16 | | | 0.74 ² | 1.40 ² | | | 1.11 ² | 1.89 ³ | | 0.33 ² | 1.56 ³ | 2.54 ³ | | 0.51 ³ | 1.92 ³ | 3.08 ³ |
| | 24 | | | 0.10 ¹ | 0.71 ¹ | | | 0.41 ¹ | 1.15 ² | | | 0.78 ² | 1.71 ² | | | 1.04 ² | 2.14 ³ |
| 16 | 12 | | | 0.63 ² | 1.15 ² | | | 0.93 ² | 1.55 ³ | | 0.31 ² | 1.30 ² | 2.07 ³ | | 0.46 ² | 1.59 ³ | 2.51 ³ |
| | 16 | | | 0.27 ¹ | 0.77 ¹ | | | 0.55 ¹ | 1.14 ² | | | 0.87 ² | 1.62 ² | | | 1.11 ² | 2.00 ³ |
| | 24 | | | | 0.13 ¹ | | | 0.44 ¹ | | | | 0.14 ¹ | 0.85 ¹ | | | 0.27 | |

COMBINED AXIAL AND LATERAL LOADS

25 psf Lateral Load

4" MEMBERS

| Wall Height (ft) | Stud Spacing (in.) o.c. | 400S137 | | | | 400S162 | | | | 400S200 | | | | 400S250 | | | |
|------------------|-------------------------|-------------------|-------------------|-------------------|-------------------|-------------------|-------------------|-------------------|-------------------|-------------------|-------------------|-------------------|-------------------|-------------------|-------------------|-------------------|-------------------|
| | | 33 ksi | | 50 ksi | | 33 ksi | | 50 ksi | | 33 ksi | | 50 ksi | | 33 ksi | | 50 ksi | |
| | | 33 | 43 | 54 | 68 | 33 | 43 | 54 | 68 | 33 | 43 | 54 | 68 | 33 | 43 | 54 | 68 |
| 8 | 12 | 0.86 | 1.55 | 2.95 | 4.22 | 1.22 | 2.04 | 3.81 | 5.35 | 1.53 | 2.66 | 4.88 | 6.73 | 1.73 | 3.03 | 5.36 | 7.70 |
| | 16 | 0.58 | 1.25 | 2.67 | 3.92 | 0.91 | 1.73 | 3.51 | 5.03 | 1.20 | 2.31 | 4.54 | 6.38 | 1.40 | 2.67 | 5.01 | 7.33 |
| | 24 | | 0.70 ^a | 2.14 | 3.36 | 0.34 ^a | 1.13 | 2.92 | 4.41 | 0.58 ^a | 1.66 | 3.88 | 5.70 | 0.76 | 1.97 | 4.33 | 6.60 |
| 9 | 12 | 0.61 | 1.26 | 2.59 | 3.82 | 0.93 | 1.71 | 3.37 | 4.81 | 1.21 | 2.27 | 4.33 | 6.06 | 1.40 | 2.63 | 4.88 | 7.05 |
| | 16 | 0.29 ³ | 0.91 ^a | 2.26 | 3.46 | 0.57 ^a | 1.33 | 3 | 4.42 | 0.82 | 1.86 | 3.92 | 5.63 | 1.00 | 2.19 | 4.44 | 6.58 |
| | 24 | | 0.28 ³ | 1.64 ³ | 2.79 ^a | | 0.65 ³ | 2.32 ^a | 3.7 | 0.12 ³ | 1.10 ^a | 3.15 | 4.84 | 0.27 ³ | 1.38 | 3.63 | 5.71 |
| 10 | 12 | 0.36 ³ | 0.96 ^a | 2.22 | 3.34 | 0.63 ^a | 1.36 | 2.9 | 4.23 | 0.88 ^a | 1.86 | 3.75 | 5.35 | 1.06 | 2.21 | 4.31 | 6.29 |
| | 16 | | 0.57 ³ | 1.84 ^a | 2.93 | 0.24 ³ | 0.94 ^a | 2.49 | 3.78 | 0.45 ³ | 1.40 ^a | 3.28 | 4.86 | 0.62 ^a | 1.71 | 3.81 | 5.75 |
| | 24 | | | 1.15 ³ | 2.18 ³ | | 0.19 ³ | 1.73 ³ | 2.97 ^a | | 0.57 ³ | 2.44 ³ | 3.97 ^a | | 0.80 ³ | 2.89 ^a | 4.76 |
| 12 | 12 | | 0.40 ³ | 1.46 ³ | 2.34 ^a | 0.11 ³ | 0.71 ³ | 1.98 ³ | 3.03 ^a | 0.28 ³ | 1.09 ³ | 2.62 ^a | 3.91 | 0.42 ³ | 1.37 ^a | 3.15 | 4.65 |
| | 16 | | | 1.04 ³ | 1.88 ³ | | 0.23 ² | 1.52 ³ | 2.53 ³ | | 0.57 ³ | 2.10 ³ | 3.36 ^a | | 0.79 ³ | 2.56 ³ | 4.04 ^a |
| | 24 | | | 0.30 ² | 1.08 ² | | | 0.71 ² | 1.65 ² | | | 1.19 ² | 2.39 ³ | | | 1.54 ³ | 2.94 ³ |
| 14 | 12 | | | 0.83 ² | 1.49 ³ | | 0.17 ² | 1.21 ² | 2.00 ³ | | 0.45 ² | 1.67 ³ | 2.65 ³ | | 0.63 ³ | 2.04 ³ | 3.20 ^a |
| | 16 | | | 0.40 ¹ | 1.04 ² | | | 0.75 ² | 1.50 ² | | | 1.16 ² | 2.11 ³ | | | 1.46 ² | 2.59 ³ |
| | 24 | | | | 0.25 ¹ | | | | 0.66 ¹ | | | 0.28 ¹ | 1.17 ² | | | 0.46 ¹ | 1.52 ² |
| 16 | 12 | | | 0.36 ¹ | 0.87 ² | | | 0.64 ² | 1.24 ² | | | 0.97 ² | 1.73 ² | | | 1.22 ² | 2.12 ³ |
| | 16 | | | | 0.44 ¹ | | | 0.20 ¹ | 0.78 ¹ | | | 0.49 ¹ | 1.21 ² | | | 0.67 ¹ | 1.54 ² |
| | 24 | | | | | | | | | | | 0.34 ¹ | | | | | 0.54 ¹ |

30 psf Lateral Load

4" MEMBERS

| Wall Height (ft) | Stud Spacing (in.) o.c. | 400S137 | | | | 400S162 | | | | 400S200 | | | | 400S250 | | | |
|------------------|-------------------------|-------------------|-------------------|-------------------|-------------------|-------------------|-------------------|-------------------|-------------------|-------------------|-------------------|-------------------|-------------------|-------------------|-------------------|-------------------|-------------------|
| | | 33 ksi | | 50 ksi | | 33 ksi | | 50 ksi | | 33 ksi | | 50 ksi | | 33 ksi | | 50 ksi | |
| | | 33 | 43 | 54 | 68 | 33 | 43 | 54 | 68 | 33 | 43 | 54 | 68 | 33 | 43 | 54 | 68 |
| 8 | 12 | 0.69 | 1.37 | 2.78 | 4.04 | 1.03 | 1.85 | 3.63 | 5.16 | 1.33 | 2.45 | 4.67 | 6.52 | 1.53 | 2.81 | 5.15 | 7.48 |
| | 16 | 0.37 ^a | 1.03 | 2.45 | 3.70 | 0.68 | 1.48 | 3.27 | 4.78 | 0.95 | 2.04 | 4.27 | 6.10 | 1.14 | 2.38 | 4.73 | 7.03 |
| | 24 | | 0.39 ³ | 1.84 ^a | 3.04 | | 0.79 ^a | 2.59 | 4.06 | 0.24 ³ | 1.29 | 3.51 | 5.32 | 0.40 ^a | 1.58 | 3.94 | 6.18 |
| 9 | 12 | 0.41 ^a | 1.05 | 2.39 | 3.60 | 0.71 ^a | 1.48 | 3.15 | 4.58 | 0.97 | 2.02 | 4.08 | 5.80 | 1.16 | 2.36 | 4.61 | 6.77 |
| | 16 | | 0.65 ³ | 2.01 | 3.19 | 0.30 ³ | 1.05 ^a | 2.72 | 4.12 | 0.53 ^a | 1.55 | 3.60 | 5.31 | 0.70 ^a | 1.86 | 4.11 | 6.22 |
| | 24 | | | 1.30 ³ | 2.42 ³ | | 0.26 ³ | 1.94 ³ | 3.29 ^a | | 0.68 ³ | 2.73 ^a | 4.39 | | 0.92 ^a | 3.17 | 5.21 |
| 10 | 12 | 0.14 ³ | 0.72 ³ | 1.99 ^a | 3.09 | 0.40 ³ | 1.11 ^a | 2.65 | 3.96 | 0.62 ³ | 1.58 | 3.46 | 5.05 | 0.79 ^a | 1.90 | 4.01 | 5.97 |
| | 16 | | 0.28 ³ | 1.55 ³ | 2.62 ^a | | 0.63 ³ | 2.17 ^a | 3.45 | 0.13 ³ | 1.06 ³ | 2.93 | 4.49 | 0.28 ³ | 1.33 ^a | 3.43 | 5.34 |
| | 24 | | | 0.78 ² | 1.77 ³ | | | 1.32 ³ | 2.53 ³ | | 0.11 ³ | 1.98 ³ | 3.48 ³ | | 0.30 ³ | 2.39 ³ | 4.21 ^a |
| 12 | 12 | | 0.13 ² | 1.20 ³ | 2.06 ³ | | 0.42 ³ | 1.70 ³ | 2.72 ³ | | 0.77 ³ | 2.30 ³ | 3.57 ^a | 0.11 ³ | 1.01 ³ | 2.79 ^a | 4.28 |
| | 16 | | | 0.73 ² | 1.54 ³ | | | 1.18 ² | 2.16 ³ | | 0.19 ² | 1.72 ³ | 2.95 ³ | | 0.36 ³ | 2.13 ³ | 3.58 ³ |
| | 24 | | | | 0.64 ² | | | 0.27 ¹ | 1.18 ² | | | 0.71 ² | 1.87 ² | | | 0.98 ² | 2.36 ³ |
| 14 | 12 | | | 0.57 ² | 1.21 ² | | | 0.92 ² | 1.69 ³ | | 0.12 ² | 1.35 ² | 2.32 ³ | | 0.26 ² | 1.69 ³ | 2.83 ³ |
| | 16 | | | 0.10 ¹ | 0.71 ¹ | | | 0.41 ¹ | 1.15 ² | | | 0.78 ² | 1.71 ² | | | 1.04 ² | 2.14 ³ |
| | 24 | | | | | | | | 0.21 ¹ | | | 0.67 ¹ | | | | 0.96 ² | |
| 16 | 12 | | | 0.11 ¹ | 0.60 ¹ | | | 0.37 ¹ | 0.96 ² | | | 0.67 ¹ | 1.41 ² | | | 0.88 ² | 1.76 ² |
| | 16 | | | | 0.13 ¹ | | | | 0.44 ¹ | | | 0.14 ¹ | 0.85 ¹ | | | 0.27 ¹ | 1.12 ² |
| | 24 | | | | | | | | | | | | | | | | |

35 psf Lateral Load

4" MEMBERS

| Wall Height (ft) | Stud Spacing (in.) o.c. | 400S137 | | | | 400S162 | | | | 400S200 | | | | 400S250 | | | |
|------------------|-------------------------|-------------------|-------------------|-------------------|-------------------|-------------------|-------------------|-------------------|-------------------|-------------------|-------------------|-------------------|-------------------|-------------------|-------------------|-------------------|-------------------|
| | | 33 ksi | | 50 ksi | | 33 ksi | | 50 ksi | | 33 ksi | | 50 ksi | | 33 ksi | | 50 ksi | |
| | | 33 | 43 | 54 | 68 | 33 | 43 | 54 | 68 | 33 | 43 | 54 | 68 | 33 | 43 | 54 | 68 |
| 8 | 12 | 0.53 | 1.20 | 2.61 | 3.87 | 0.85 | 1.66 | 3.45 | 4.97 | 1.14 | 2.24 | 4.47 | 6.31 | 1.33 | 2.59 | 4.94 | 7.25 |
| | 16 | 0.16 ³ | 0.81 | 2.24 | 3.47 | 0.45 ^a | 1.25 | 3.04 | 4.54 | 0.70 | 1.79 | 4.01 | 5.83 | 0.89 | 2.11 | 4.46 | 6.74 |
| | 24 | | | 1.55 ³ | 2.73 | | 0.47 ³ | 2.27 ^a | 3.72 | | 0.93 ^a | 3.15 | 4.94 | | 1.20 | 3.57 | 5.77 |
| 9 | 12 | 0.23 ³ | 0.85 ^a | 2.20 | 3.39 | 0.50 ^a | 1.26 | 2.93 | 4.35 | 0.75 ^a | 1.78 | 3.84 | 5.55 | 0.93 | 2.11 | 4.36 | 6.49 |
| | 16 | | 0.40 ³ | 1.76 ^a | 2.92 | | 0.78 ³ | 2.45 | 3.84 | 0.25 ³ | 1.25 ^a | 3.30 | 4.99 | 0.41 ³ | 1.54 | 3.79 | 5.88 |
| | 24 | | | 0.97 ³ | 2.06 ³ | | | 1.58 ³ | 2.90 ³ | | 0.28 ³ | 2.32 ³ | 3.96 ^a | | 0.49 ³ | 2.74 ^a | 4.74 |
| 10 | 12 | | 0.50 ³ | 1.77 ^a | 2.85 | 0.17 ³ | 0.86 ³ | 2.41 ^a | 3.70 | 0.37 ³ | 1.31 ^a | 3.19 | 4.77 | 0.53 ³ | 1.61 | 3.71 | 5.65 |
| | 16 | | | 1.28 ³ | 2.32 ³ | | 0.33 ³ | 1.88 ³ | 3.13 ^a | | 0.73 ³ | 2.60 ^a | 4.14 | | 0.97 ³ | 3.07 ^a | 4.95 |
| | 24 | | | 0.42 ² | 1.38 ³ | | | 0.93 ² | 2.10 ³ | | | 1.54 ³ | 3.01 ³ | | | 1.91 ³ | 3.69 ³ |
| 12 | 12 | | | 0.96 ² | 1.80 ³ | | 0.15 ² | 1.43 ³ | 2.44 ³ | | 0.47 ³ | 2.00 ³ | 3.25 ³ | | 0.68 ³ | 2.45 ³ | 3.92 ^a |
| | 16 | | | 0.44 ² | 1.23 ² | | | 0.86 ² | 1.82 ³ | | | 1.36 ² | 2.57 ³ | | | 1.73 ³ | 3.15 ³ |
| | 24 | | | | 0.24 ¹ | | | | 0.74 ² | | | 0.26 ¹ | 1.38 ² | | | 0.47 ² | 1.81 ² |
| 14 | 12 | | | 0.32 ¹ | 0.95 ² | | | 0.66 ² | 1.41 ² | | | 1.06 ² | 2.01 ³ | | | 1.35 ² | 2.47 ³ |
| | 16 | | | | 0.40 ¹ | | | 0.10 ¹ | 0.82 ¹ | | | 0.44 ¹ | 1.35 ² | | | 0.65 ² | 1.72 ² |
| | 24 | | | | | | | | | | | 0.21 ¹ | | | | 0.44 ¹ | |
| 16 | 12 | | | | 0.36 ¹ | | | 0.12 ¹ | 0.69 ¹ | | | 0.39 ¹ | 1.12 ² | | | 0.57 ¹ | 1.43 ² |
| | 16 | | | | | | | | 0.14 ¹ | | | | 0.50 ¹ | | | | 0.73 ¹ |
| | 24 | | | | | | | | | | | | | | | | |

NOTE: See page 30 for Table Notes.

COMBINED AXIAL AND LATERAL LOADS

40 psf Lateral Load

4" MEMBERS

| Wall Height (ft) | Stud Spacing (in.) o.c. | 400S137 | | | | 400S162 | | | | 400S200 | | | | 400S250 | | | |
|------------------|-------------------------|-------------------|-------------------|-------------------|-------------------|-------------------|-------------------|-------------------|-------------------|-------------------|-------------------|-------------------|-------------------|-------------------|-------------------|-------------------|-------------------|
| | | 33 ksi | | 50 ksi | | 33 ksi | | 50 ksi | | 33 ksi | | 50 ksi | | 33 ksi | | 50 ksi | |
| | | 33 | 43 | 54 | 68 | 33 | 43 | 54 | 68 | 33 | 43 | 54 | 68 | 33 | 43 | 54 | 68 |
| 8 | 12 | 0.37 ⁴ | 1.03 | 2.45 | 3.70 | 0.68 | 1.48 | 3.27 | 4.78 | 0.95 | 2.04 | 4.27 | 6.10 | 1.14 | 2.38 | 4.73 | 7.03 |
| | 16 | | 0.60 ⁴ | 2.04 | 3.26 | 0.23 ³ | 1.02 | 2.81 | 4.30 | 0.47 ⁴ | 1.53 | 3.76 | 5.57 | 0.64 | 1.84 | 4.20 | 6.46 |
| | 24 | | | 1.27 ³ | 2.43 ⁴ | | 0.15 ³ | 1.96 ⁴ | 3.39 | | 0.59 ³ | 2.80 ⁴ | 4.58 | | 0.83 ³ | 3.20 | 5.38 |
| 9 | 12 | | 0.65 ³ | 2.01 | 3.19 | 0.30 ³ | 1.05 ⁴ | 2.72 | 4.12 | 0.53 ⁴ | 1.55 | 3.60 | 5.31 | 0.70 ⁴ | 1.86 | 4.11 | 6.22 |
| | 16 | | 0.16 ³ | 1.53 ³ | 2.66 ⁴ | | 0.52 ³ | 2.19 ⁴ | 3.56 | | 0.96 ⁴ | 3.01 | 4.69 | 0.14 ³ | 1.22 ³ | 3.48 | 5.54 |
| | 24 | | | 0.65 ³ | 1.71 ³ | | | 1.23 ³ | 2.52 ³ | | | 1.93 ³ | 3.55 ⁴ | | | 2.32 ³ | 4.28 ⁴ |
| 10 | 12 | | 0.28 ³ | 1.55 ³ | 2.62 ⁴ | | 0.63 ³ | 2.17 ⁴ | 3.45 | 0.13 ³ | 1.06 ³ | 2.93 | 4.49 | 0.28 ³ | 1.33 ⁴ | 3.43 | 5.34 |
| | 16 | | | 1.03 ³ | 2.04 ³ | | | 1.59 ³ | 2.82 ³ | | 0.41 ³ | 2.28 ³ | 3.80 ⁴ | | 0.63 ³ | 2.72 ⁴ | 4.57 |
| | 24 | | | | 1.01 ² | | | 0.56 ² | 1.70 ³ | | | 1.12 ³ | 2.57 ³ | | | 1.45 ³ | 3.19 ³ |
| 12 | 12 | | | 0.73 ² | 1.54 ³ | | | 1.18 ² | 2.16 ³ | | 0.19 ² | 1.72 ³ | 2.95 ³ | | 0.36 ³ | 2.13 ³ | 3.58 ³ |
| | 16 | | | 0.16 ¹ | 0.93 ² | | | 0.56 ² | 1.49 ² | | | 1.03 ² | 2.21 ³ | | | 1.35 ² | 2.74 ³ |
| | 24 | | | | | | | | 0.33 ¹ | | | 0.92 ² | | | | | 1.29 ² |
| 14 | 12 | | | 0.10 ¹ | 0.71 ¹ | | | 0.41 ¹ | 1.15 ² | | | 0.78 ² | 1.71 ² | | | 1.04 ² | 2.14 ³ |
| | 16 | | | | 0.11 ¹ | | | | 0.50 ¹ | | | 0.12 ¹ | 1.00 ² | | | 0.28 ¹ | 1.33 ² |
| | 24 | | | | | | | | | | | | | | | | |
| 16 | 12 | | | | 0.13 ¹ | | | | 0.44 ¹ | | | 0.14 ¹ | 0.85 ¹ | | | 0.27 ¹ | 1.12 ² |
| | 16 | | | | | | | | | | | | 0.18 ¹ | | | | 0.36 ¹ |
| | 24 | | | | | | | | | | | | | | | | |

50 psf Lateral Load

4" MEMBERS

| Wall Height (ft) | Stud Spacing (in.) o.c. | 400S137 | | | | 400S162 | | | | 400S200 | | | | 400S250 | | | |
|------------------|-------------------------|-------------------|-------------------|-------------------|-------------------|-------------------|-------------------|-------------------|-------------------|-------------------|-------------------|-------------------|-------------------|-------------------|-------------------|-------------------|-------------------|
| | | 33 ksi | | 50 ksi | | 33 ksi | | 50 ksi | | 33 ksi | | 50 ksi | | 33 ksi | | 50 ksi | |
| | | 33 | 43 | 54 | 68 | 33 | 43 | 54 | 68 | 33 | 43 | 54 | 68 | 33 | 43 | 54 | 68 |
| 8 | 12 | 0.70 ⁴ | 2.14 | 3.36 | | 0.34 ⁴ | 1.13 | 2.92 | 4.41 | 0.58 ⁴ | 1.66 | 3.88 | 5.70 | 0.76 | 1.97 | 4.33 | 6.60 |
| | 16 | | 0.19 ³ | 1.65 ⁴ | 2.84 | | 0.57 ³ | 2.37 | 3.83 | | 1.05 ⁴ | 3.27 | 5.06 | 0.17 ³ | 1.32 | 3.69 | 5.91 |
| | 24 | | | 0.73 ³ | 1.85 ³ | | | 1.36 ³ | 2.75 ³ | | | 2.13 ³ | 3.88 ⁴ | | 0.12 ³ | 2.50 ⁴ | 4.61 |
| 9 | 12 | | 0.28 ³ | 1.64 ³ | 2.79 ⁴ | | 0.65 ³ | 2.32 ⁴ | 3.70 | 0.12 ³ | 1.10 ⁴ | 3.15 | 4.84 | 0.27 ³ | 1.38 | 3.63 | 5.71 |
| | 16 | | | 1.08 ³ | 2.17 ³ | | | 1.70 ³ | 3.03 ⁴ | | 0.41 ³ | 2.45 ³ | 4.10 | | 0.63 ³ | 2.88 ⁴ | 4.89 |
| | 24 | | | | 1.06 ² | | | 0.57 ² | 1.81 ³ | | | 1.19 ³ | 2.76 ³ | | | 1.52 ³ | 3.41 ³ |
| 10 | 12 | | | 1.15 ³ | 2.18 ³ | | 0.19 ³ | 1.73 ³ | 2.97 ⁴ | | 0.57 ³ | 2.44 ³ | 3.97 ⁴ | | 0.80 ³ | 2.89 ⁴ | 4.76 |
| | 16 | | | 0.54 ² | 1.51 ³ | | | 1.06 ³ | 2.24 ³ | | | 1.68 ³ | 3.16 ³ | | | 2.07 ³ | 3.86 ⁴ |
| | 24 | | | | 0.32 ² | | | | 0.94 ² | | | 0.34 ² | 1.73 ² | | | 0.59 ² | 2.25 ³ |
| 12 | 12 | | | 0.30 ² | 1.08 ² | | | 0.71 ² | 1.65 ² | | | 1.19 ² | 2.39 ³ | | | 1.54 ³ | 2.94 ³ |
| | 16 | | | | 0.37 ¹ | | | | 0.89 ² | | | 0.40 ² | 1.54 ² | | | 0.64 ² | 1.99 ² |
| | 24 | | | | | | | | | | | | | | | | 0.33 ¹ |
| 14 | 12 | | | | 0.25 ¹ | | | | 0.66 ¹ | | | 0.28 ¹ | 1.17 ² | | | 0.46 ¹ | 1.52 ² |
| | 16 | | | | | | | | | | | 0.36 ¹ | | | | | 0.61 ¹ |
| | 24 | | | | | | | | | | | | | | | | |
| 16 | 12 | | | | | | | | | | | 0.34 ¹ | | | | | 0.54 ¹ |
| | 16 | | | | | | | | | | | | | | | | |
| | 24 | | | | | | | | | | | | | | | | |

5 psf Lateral Load (Interior Walls)

6" MEMBERS

| Wall Height (ft) | Stud Spacing (in.) o.c. | 600S137 | | | | | | 600S162 | | | | | | 600S200 | | | | | | 600S250 | | | | | | |
|------------------|-------------------------|-------------------|------|--------|------|------|-------------------|---------|------|--------|------|------|------|---------|------|--------|------|------|------|---------|------|--------|----|----|----|----|
| | | 33 ksi | | 50 ksi | | 97 | | 33 ksi | | 50 ksi | | 97 | | 33 ksi | | 50 ksi | | 97 | | 33 ksi | | 50 ksi | | 97 | | |
| | | 33 | 43 | 54 | 68 | 97 | 33 | 43 | 54 | 68 | 97 | 33 | 43 | 54 | 68 | 97 | 33 | 43 | 54 | 68 | 97 | 33 | 43 | 54 | 68 | 97 |
| 8 | 12 | 1.76 | 2.50 | 3.80 | 5.04 | 7.53 | 2.41 | 3.38 | 5.59 | 7.42 | 11.4 | 2.82 | 4.30 | 7.45 | 9.95 | 15.6 | 3.06 | 4.65 | 7.63 | 11.0 | 18.2 | | | | | |
| | 16 | 1.72 | 2.46 | 3.77 | 5.00 | 7.50 | 2.36 | 3.33 | 5.54 | 7.38 | 11.3 | 2.77 | 4.25 | 7.40 | 9.89 | 15.6 | 3.01 | 4.59 | 7.58 | 11.0 | 18.2 | | | | | |
| | 24 | 1.64 | 2.38 | 3.70 | 4.94 | 7.43 | 2.27 | 3.24 | 5.45 | 7.29 | 11.2 | 2.68 | 4.14 | 7.29 | 9.79 | 15.5 | 2.91 | 4.49 | 7.48 | 10.9 | 18.1 | | | | | |
| 9 | 12 | 1.73 | 2.46 | 3.77 | 5.01 | 7.50 | 2.37 | 3.34 | 5.55 | 7.38 | 11.3 | 2.76 | 4.22 | 7.30 | 9.76 | 15.4 | 2.99 | 4.57 | 7.49 | 10.8 | 17.9 | | | | | |
| | 16 | 1.68 | 2.41 | 3.72 | 4.96 | 7.46 | 2.31 | 3.28 | 5.49 | 7.32 | 11.3 | 2.70 | 4.15 | 7.23 | 9.70 | 15.3 | 2.93 | 4.50 | 7.43 | 10.8 | 17.8 | | | | | |
| | 24 | 1.57 | 2.31 | 3.64 | 4.88 | 7.37 | 2.18 | 3.16 | 5.37 | 7.21 | 11.2 | 2.57 | 4.01 | 7.10 | 9.56 | 15.1 | 2.80 | 4.36 | 7.30 | 10.6 | 17.7 | | | | | |
| 10 | 12 | 1.69 | 2.42 | 3.73 | 4.97 | 7.46 | 2.32 | 3.29 | 5.50 | 7.33 | 11.3 | 2.69 | 4.11 | 7.12 | 9.54 | 15.0 | 2.91 | 4.47 | 7.33 | 10.6 | 17.4 | | | | | |
| | 16 | 1.62 | 2.36 | 3.68 | 4.92 | 7.41 | 2.24 | 3.21 | 5.42 | 7.26 | 11.2 | 2.61 | 4.03 | 7.03 | 9.45 | 14.9 | 2.83 | 4.38 | 7.25 | 10.5 | 17.3 | | | | | |
| | 24 | 1.49 | 2.23 | 3.57 | 4.81 | 7.30 | 2.09 | 3.06 | 5.27 | 7.11 | 11.0 | 2.46 | 3.86 | 6.86 | 9.28 | 14.7 | 2.68 | 4.21 | 7.08 | 10.3 | 17.2 | | | | | |
| 12 | 12 | 1.59 | 2.32 | 3.64 | 4.88 | 7.37 | 2.15 | 3.11 | 5.30 | 7.20 | 11.1 | 2.51 | 3.86 | 6.65 | 8.95 | 14.1 | 2.72 | 4.23 | 6.92 | 10.0 | 16.3 | | | | | |
| | 16 | 1.49 | 2.23 | 3.56 | 4.79 | 7.29 | 2.04 | 3.00 | 5.19 | 7.08 | 11.0 | 2.40 | 3.74 | 6.52 | 8.82 | 14.0 | 2.61 | 4.10 | 6.80 | 9.84 | 16.2 | | | | | |
| | 24 | 1.30 | 2.04 | 3.39 | 4.63 | 7.12 | 1.82 | 2.78 | 4.97 | 6.85 | 10.8 | 2.18 | 3.50 | 6.28 | 8.57 | 13.7 | 2.38 | 3.86 | 6.56 | 9.57 | 15.9 | | | | | |
| 14 | 12 | 1.46 | 2.20 | 3.52 | 4.75 | 7.24 | 1.93 | 2.86 | 4.87 | 6.70 | 10.9 | 2.28 | 3.53 | 6.05 | 8.19 | 13.0 | 2.49 | 3.92 | 6.43 | 9.23 | 15.0 | | | | | |
| | 16 | 1.33 | 2.06 | 3.40 | 4.63 | 7.11 | 1.79 | 2.71 | 4.72 | 6.53 | 10.7 | 2.13 | 3.37 | 5.88 | 8.01 | 12.8 | 2.33 | 3.75 | 6.26 | 9.04 | 14.8 | | | | | |
| | 24 | 1.08 | 1.80 | 3.16 | 4.39 | 6.87 | 1.50 | 2.42 | 4.42 | 6.22 | 10.3 | 1.85 | 3.05 | 5.55 | 7.67 | 12.4 | 2.04 | 3.42 | 5.93 | 8.68 | 14.4 | | | | | |
| 16 | 12 | 1.32 | 2.04 | 3.36 | 4.58 | 7.05 | 1.68 | 2.56 | 4.34 | 6.00 | 9.75 | 2.02 | 3.16 | 5.35 | 7.29 | 11.6 | 2.22 | 3.57 | 5.92 | 8.40 | 13.4 | | | | | |
| | 16 | 1.15 | 1.86 | 3.19 | 4.41 | 6.87 | 1.50 | 2.37 | 4.15 | 5.80 | 9.51 | 1.84 | 2.95 | 5.13 | 7.07 | 11.4 | 2.02 | 3.35 | 5.70 | 8.15 | 13.1 | | | | | |
| | 24 | 0.83 ³ | 1.53 | 2.88 | 4.09 | 6.53 | 1.16 ⁴ | 2.01 | 3.78 | 5.41 | 9.05 | 1.49 | 2.57 | 4.73 | 6.64 | 10.9 | 1.66 | 2.94 | 5.29 | 7.69 | 12.6 | | | | | |

NOTE: See page 30 for Table Notes.

COMBINED AXIAL AND LATERAL LOADS

15 psf Lateral Load

| 6" MEMBERS | | 600S137 | | | | | | 600S162 | | | | | | 600S200 | | | | | | 600S250 | | | | | | | |
|------------------|-------------------------|-------------------|-------------------|-------------------|-------------------|------|-------------------|-------------------|-------------------|-------------------|--------|-------------------|-------------------|-------------------|------|------|-------------------|-------------------|-------------------|---------|------|----|--------|----|----|----|--|
| Wall Height (ft) | Stud Spacing (in.) o.c. | 33 ksi | | | 50 ksi | | | 33 ksi | | | 50 ksi | | | 33 ksi | | | 50 ksi | | | 33 ksi | | | 50 ksi | | | | |
| | | 33 | 43 | 54 | 68 | 97 | 33 | 43 | 54 | 68 | 97 | 33 | 43 | 54 | 68 | 97 | 33 | 43 | 54 | 68 | 97 | 33 | 43 | 54 | 68 | 97 | |
| 8 | 12 | 1.52 | 2.26 | 3.59 | 4.84 | 7.33 | 2.12 | 3.10 | 5.32 | 7.16 | 11.1 | 2.53 | 3.99 | 7.13 | 9.63 | 15.3 | 2.76 | 4.33 | 7.33 | 10.7 | 17.9 | | | | | | |
| | 16 | 1.40 | 2.14 | 3.49 | 4.74 | 7.23 | 1.98 | 2.96 | 5.19 | 7.03 | 11.0 | 2.39 | 3.83 | 6.98 | 9.48 | 15.1 | 2.61 | 4.17 | 7.18 | 10.5 | 17.7 | | | | | | |
| | 24 | 1.16 | 1.91 | 3.29 | 4.54 | 7.04 | 1.70 | 2.68 | 4.93 | 6.77 | 10.7 | 2.10 | 3.53 | 6.67 | 9.16 | 14.8 | 2.32 | 3.86 | 6.88 | 10.2 | 17.4 | | | | | | |
| 9 | 12 | 1.42 | 2.16 | 3.50 | 4.75 | 7.24 | 2.00 | 2.98 | 5.20 | 7.04 | 11.0 | 2.39 | 3.82 | 6.89 | 9.36 | 14.9 | 2.61 | 4.16 | 7.10 | 10.4 | 17.4 | | | | | | |
| | 16 | 1.26 | 2.01 | 3.37 | 4.62 | 7.12 | 1.82 | 2.80 | 5.03 | 6.87 | 10.8 | 2.21 | 3.62 | 6.69 | 9.15 | 14.7 | 2.42 | 3.96 | 6.91 | 10.2 | 17.2 | | | | | | |
| | 24 | 0.97 | 1.71 | 3.11 | 4.36 | 6.86 | 1.47 | 2.45 | 4.69 | 6.53 | 10.5 | 1.85 | 3.23 | 6.30 | 8.76 | 14.3 | 2.05 | 3.56 | 6.53 | 9.78 | 16.7 | | | | | | |
| 10 | 12 | 1.30 | 2.04 | 3.40 | 4.64 | 7.14 | 1.86 | 2.84 | 5.06 | 6.89 | 10.8 | 2.23 | 3.62 | 6.61 | 9.03 | 14.5 | 2.44 | 3.96 | 6.84 | 10.1 | 16.9 | | | | | | |
| | 16 | 1.11 | 1.85 | 3.24 | 4.48 | 6.98 | 1.64 | 2.62 | 4.84 | 6.68 | 10.6 | 2.01 | 3.38 | 6.36 | 8.78 | 14.2 | 2.21 | 3.71 | 6.60 | 9.79 | 16.6 | | | | | | |
| | 24 | 0.75 | 1.49 | 2.91 | 4.16 | 6.66 | 1.21 | 2.19 | 4.42 | 6.25 | 10.2 | 1.58 | 2.91 | 5.88 | 8.28 | 13.7 | 1.77 | 3.23 | 6.13 | 9.27 | 16.0 | | | | | | |
| 12 | 12 | 1.03 | 1.77 | 3.14 | 4.38 | 6.87 | 1.50 | 2.46 | 4.64 | 6.52 | 10.4 | 1.86 | 3.15 | 5.91 | 8.20 | 13.3 | 2.05 | 3.50 | 6.21 | 9.19 | 15.5 | | | | | | |
| | 16 | 0.77 | 1.50 | 2.90 | 4.14 | 6.63 | 1.20 | 2.15 | 4.33 | 6.20 | 10.1 | 1.55 | 2.81 | 5.56 | 7.84 | 12.9 | 1.74 | 3.15 | 5.87 | 8.81 | 15.1 | | | | | | |
| | 24 | 0.28 ^a | 1.00 | 2.44 | 3.68 | 6.15 | 0.64 | 1.57 | 3.74 | 5.57 | 9.40 | 0.97 | 2.18 | 4.90 | 7.15 | 12.2 | 1.13 | 2.49 | 5.21 | 8.08 | 14.2 | | | | | | |
| 14 | 12 | 0.73 | 1.44 | 2.82 | 4.04 | 6.51 | 1.11 | 2.01 | 4.00 | 5.77 | 9.8 | 1.44 | 2.61 | 5.08 | 7.18 | 11.9 | 1.61 | 2.95 | 5.47 | 8.16 | 13.8 | | | | | | |
| | 16 | 0.40 ^a | 1.10 | 2.50 | 3.71 | 6.17 | 0.74 | 1.62 | 3.60 | 5.35 | 9.30 | 1.06 | 2.19 | 4.64 | 6.71 | 11.3 | 1.22 | 2.51 | 5.03 | 7.66 | 13.2 | | | | | | |
| | 24 | | 0.46 ^b | 1.90 ^a | 3.09 | 5.51 | | 0.91 ^a | 2.87 | 4.56 | 8.38 | 0.36 ^b | 1.41 | 3.82 | 5.85 | 10.4 | 0.48 ^a | 1.69 | 4.20 | 6.73 | 12.2 | | | | | | |
| 16 | 12 | 0.41 ^b | 1.08 | 2.45 | 3.63 | 6.04 | 0.70 ^a | 1.52 | 3.29 | 4.87 | 8.41 | 1.01 | 2.04 | 4.18 | 6.06 | 10.2 | 1.16 | 2.37 | 4.71 | 7.05 | 11.9 | | | | | | |
| | 16 | | 0.67 ^b | 2.05 ^a | 3.21 | 5.59 | 0.29 ^b | 1.08 ^a | 2.83 | 4.37 | 7.83 | 0.57 ^b | 1.55 | 3.68 | 5.51 | 9.59 | 0.70 ^a | 1.85 | 4.17 | 6.45 | 11.2 | | | | | | |
| | 24 | | | 1.32 ^b | 2.45 ^b | 4.76 | | 0.28 ^b | 2.01 ^b | 3.48 ^a | 6.77 | | 0.68 ^b | 2.77 ^a | 4.53 | 8.46 | | 0.91 ^b | 3.21 ^a | 5.37 | 10.0 | | | | | | |

20 psf Lateral Load

| 6" MEMBERS | | 600S137 | | | | | | 600S162 | | | | | | 600S200 | | | | | | 600S250 | | | | | | | | |
|------------------|-------------------------|-------------------|-------------------|-------------------|-------------------|-------------------|-------------------|-------------------|-------------------|-------------------|-------------------|-------------------|-------------------|-------------------|-------------------|------|-------------------|-------------------|-------------------|---------|------|----|--------|----|----|----|--|--|
| Wall Height (ft) | Stud Spacing (in.) o.c. | 33 ksi | | | 50 ksi | | | 33 ksi | | | 50 ksi | | | 33 ksi | | | 50 ksi | | | 33 ksi | | | 50 ksi | | | | | |
| | | 33 | 43 | 54 | 68 | 97 | 33 | 43 | 54 | 68 | 97 | 33 | 43 | 54 | 68 | 97 | 33 | 43 | 54 | 68 | 97 | 33 | 43 | 54 | 68 | 97 | | |
| 8 | 12 | 1.40 | 2.14 | 3.49 | 4.74 | 7.23 | 1.98 | 2.96 | 5.19 | 7.03 | 11.0 | 2.39 | 3.83 | 6.98 | 9.48 | 15.1 | 2.61 | 4.17 | 7.18 | 10.5 | 17.7 | | | | | | | |
| | 16 | 1.24 | 1.98 | 3.36 | 4.60 | 7.10 | 1.80 | 2.78 | 5.01 | 6.85 | 10.8 | 2.20 | 3.63 | 6.77 | 9.27 | 14.9 | 2.41 | 3.96 | 6.98 | 10.3 | 17.5 | | | | | | | |
| | 24 | 0.93 | 1.68 | 3.09 | 4.34 | 6.85 | 1.43 | 2.41 | 4.67 | 6.51 | 10.4 | 1.82 | 3.22 | 6.36 | 8.86 | 14.5 | 2.03 | 3.55 | 6.58 | 9.90 | 17.0 | | | | | | | |
| 9 | 12 | 1.26 | 2.01 | 3.37 | 4.62 | 7.12 | 1.82 | 2.80 | 5.03 | 6.87 | 10.8 | 2.21 | 3.62 | 6.69 | 9.15 | 14.7 | 2.42 | 3.96 | 6.91 | 10.2 | 17.2 | | | | | | | |
| | 16 | 1.06 | 1.81 | 3.20 | 4.45 | 6.95 | 1.59 | 2.57 | 4.80 | 6.64 | 10.6 | 1.97 | 3.36 | 6.43 | 8.89 | 14.4 | 2.18 | 3.69 | 6.66 | 9.92 | 16.9 | | | | | | | |
| | 24 | 0.67 | 1.42 | 2.86 | 4.11 | 6.62 | 1.13 | 2.11 | 4.36 | 6.20 | 10.1 | 1.50 | 2.85 | 5.91 | 8.37 | 13.9 | 1.69 | 3.17 | 6.16 | 9.37 | 16.3 | | | | | | | |
| 10 | 12 | 1.11 | 1.85 | 3.24 | 4.48 | 6.98 | 1.64 | 2.62 | 4.84 | 6.68 | 10.6 | 2.01 | 3.38 | 6.36 | 8.78 | 14.2 | 2.21 | 3.71 | 6.60 | 9.79 | 16.6 | | | | | | | |
| | 16 | 0.87 | 1.61 | 3.02 | 4.27 | 6.77 | 1.35 | 2.33 | 4.56 | 6.39 | 10.3 | 1.72 | 3.06 | 6.04 | 8.45 | 13.9 | 1.91 | 3.39 | 6.29 | 9.44 | 16.2 | | | | | | | |
| | 24 | 0.40 | 1.14 | 2.60 | 3.85 | 6.35 | 0.81 | 1.78 | 4.01 | 5.84 | 9.7 | 1.16 | 2.45 | 5.41 | 7.80 | 13.2 | 1.33 | 2.76 | 5.68 | 8.77 | 15.5 | | | | | | | |
| 12 | 12 | 0.77 | 1.50 | 2.90 | 4.14 | 6.63 | 1.20 | 2.15 | 4.33 | 6.20 | 10.1 | 1.55 | 2.81 | 5.56 | 7.84 | 12.9 | 1.74 | 3.15 | 5.87 | 8.81 | 15.1 | | | | | | | |
| | 16 | 0.44 | 1.16 | 2.60 | 3.83 | 6.31 | 0.82 | 1.76 | 3.93 | 5.78 | 9.62 | 1.16 | 2.38 | 5.12 | 7.37 | 12.4 | 1.33 | 2.70 | 5.43 | 8.32 | 14.5 | | | | | | | |
| | 24 | | 0.52 ^a | 2.01 | 3.23 | 5.70 | 0.11 ^b | 1.02 | 3.17 | 4.98 | 8.76 | 0.43 ^a | 1.57 | 4.27 | 6.49 | 11.5 | 0.57 | 1.86 | 4.59 | 7.39 | 13.5 | | | | | | | |
| 14 | 12 | 0.40 ^a | 1.10 | 2.50 | 3.71 | 6.17 | 0.74 | 1.62 | 3.60 | 5.35 | 9.30 | 1.06 | 2.19 | 4.64 | 6.71 | 11.3 | 1.22 | 2.51 | 5.03 | 7.66 | 13.2 | | | | | | | |
| | 16 | | 0.67 ^a | 2.10 | 3.30 | 5.73 | 0.28 ^b | 1.14 ^a | 3.11 | 4.82 | 8.68 | 0.59 ^a | 1.66 | 4.08 | 6.13 | 10.7 | 0.72 ^a | 1.95 | 4.47 | 7.04 | 12.5 | | | | | | | |
| | 24 | | | 1.35 ^b | 2.52 ^a | 4.90 | | 0.26 ^b | 2.20 ^b | 3.83 | 7.53 | | 0.70 ^b | 3.07 ^a | 5.05 | 9.47 | | 0.93 ^a | 3.44 | 5.88 | 11.2 | | | | | | | |
| 16 | 12 | | 0.67 ^b | 2.05 ^a | 3.21 | 5.59 | 0.29 ^b | 1.08 ^a | 2.83 | 4.37 | 7.83 | 0.57 ^b | 1.55 | 3.68 | 5.51 | 9.59 | 0.70 ^a | 1.85 | 4.17 | 6.45 | 11.2 | | | | | | | |
| | 16 | | 0.17 ^b | 1.55 ^b | 2.69 ^a | 5.03 | | 0.53 ^b | 2.27 ^b | 3.76 | 7.11 | | 0.96 ^b | 3.06 ^a | 4.85 | 8.82 | 0.14 ^b | 1.21 ^a | 3.52 | 5.72 | 10.4 | | | | | | | |
| | 24 | | | 0.68 ^b | 1.76 ^b | 4.00 ^b | | | 1.28 ^b | 2.68 ^b | 5.83 ^a | | | 1.96 ^b | 3.66 ^b | 7.45 | | 2.34 ^b | 4.40 ^a | 8.88 | | | | | | | | |

25 psf Lateral Load

| 6" MEMBERS | | 600S137 | | | | | | 600S162 | | | | | | 600S200 | | | | | | 600S250 | | | | | | | | |
|------------------|-------------------------|---------|------|------|--------|------|------|---------|------|------|--------|------|------|---------|------|------|--------|------|------|---------|------|----|--------|----|----|----|--|--|
| Wall Height (ft) | Stud Spacing (in.) o.c. | 33 ksi | | | 50 ksi | | | 33 ksi | | | 50 ksi | | | 33 ksi | | | 50 ksi | | | 33 ksi | | | 50 ksi | | | | | |
| | | 33 | 43 | 54 | 68 | 97 | 33 | 43 | 54 | 68 | 97 | 33 | 43 | 54 | 68 | 97 | 33 | 43 | 54 | 68 | 97 | 33 | 43 | 54 | 68 | 97 | | |
| 8 | 12 | 1.28 | 2.02 | 3.39 | 4.64 | 7.14 | 1.84 | 2.82 | 5.06 | 6.90 | 10.8 | 2.24 | 3.68 | 6.82 | 9.32 | 15.0 | 2.46 | 4.01 | 7.03 | 10.4 | 17.5 | | | | | | | |
| | 16 | 1.08 | 1.83 | 3.22 | 4.47 | 6.97 | 1.61 | 2.59 | 4.84 | 6.68 | 10.6 | 2.01 | 3.42 | 6.56 | 9.06 | 14.7 | 2.22 | 3.75 | 6.78 | 10.1 | 17.2 | | | | | | | |
| | 24 | 0.70 | 1.45 | 2.89 | 4.14 | 6.65 | 1.16 | 2.15 | 4.41 | 6.25 | 10.2 | 1.55 | 2.92 | 6.06 | 8.55 | 14.2 | 1.74 | 3.24 | 6.29 | 9.58 | 16.7 | | | | | | | |
| 9 | 12 | 1.11 | 1.86 | 3.24 | 4.49 | 6.99 | 1.65 | 2.62 | 4.86 | 6.70 | 10.6 | 2.03 | 3.42 | 6.50 | 8.96 | 14.5 | 2.24 | 3.76 | 6.72 | 10.0 | 17.0 | | | | | | | |
| | 16 | 0.87 | 1.61 | 3.03 | 4.28 | 6.78 | 1.36 | 2.34 | 4.58 | 6.42 | 10.3 | 1.74 | 3.11 | 6.17 | 8.63 | 14.2 | 1.93 | 3.43 | 6.41 | 9.64 | 16.6 | | | | | | | |
| | 24 | 0.39 | 1.14 | 2.61 | 3.86 | 6.37 | 0.80 | 1.78 | 4.04 | 5.87 | 9.8 | 1.16 | 2.48 | | | | | | | | | | | | | | | |

COMBINED AXIAL AND LATERAL LOADS

30 psf Lateral Load

| 6" MEMBERS | | | | | | | | | | | | | | | | | | | | | | | | | |
|------------------|-------------------------|-------------------|-------------------|-------------------|-------------------|-------------------|-------------------|-------------------|-------------------|-------------------|-------------------|-------------------|-------------------|-------------------|-------------------|-------------------|-------------------|-------------------|-------------------|-------------------|-------------------|--|--|--|--|
| Wall Height (ft) | Stud Spacing (in.) o.c. | 600S137 | | | | | | 600S162 | | | | | | 600S200 | | | | | | 600S250 | | | | | |
| | | 33 ksi | | 50 ksi | | 33 ksi | | 50 ksi | | 33 ksi | | 50 ksi | | 33 ksi | | 50 ksi | | 33 ksi | | 50 ksi | | | | | |
| | | 33 | 43 | 54 | 68 | 97 | 33 | 43 | 54 | 68 | 97 | 33 | 43 | 54 | 68 | 97 | 33 | 43 | 54 | 68 | 97 | | | | |
| 8 | 12 | 1.16 | 1.91 | 3.29 | 4.54 | 7.04 | 1.70 | 2.68 | 4.93 | 6.77 | 10.7 | 2.10 | 3.53 | 6.67 | 9.16 | 14.8 | 2.32 | 3.86 | 6.88 | 10.2 | 17.4 | | | | |
| | 16 | 0.93 | 1.68 | 3.09 | 4.34 | 6.85 | 1.43 | 2.41 | 4.67 | 6.51 | 10.4 | 1.82 | 3.22 | 6.36 | 8.86 | 14.5 | 2.03 | 3.55 | 6.58 | 9.90 | 17.0 | | | | |
| | 24 | 0.47 | 1.22 | 2.69 | 3.95 | 6.46 | 0.90 | 1.88 | 4.16 | 6.00 | 9.9 | 1.28 | 2.63 | 5.76 | 8.25 | 13.9 | 1.46 | 2.94 | 6.00 | 9.26 | 16.3 | | | | |
| 9 | 12 | 0.97 | 1.71 | 3.11 | 4.36 | 6.86 | 1.47 | 2.45 | 4.69 | 6.53 | 10.5 | 1.85 | 3.23 | 6.30 | 8.76 | 14.3 | 2.05 | 3.56 | 6.53 | 9.78 | 16.7 | | | | |
| | 16 | 0.67 | 1.42 | 2.86 | 4.11 | 6.62 | 1.13 | 2.11 | 4.36 | 6.20 | 10.1 | 1.50 | 2.85 | 5.91 | 8.37 | 13.9 | 1.69 | 3.17 | 6.16 | 9.37 | 16.3 | | | | |
| | 24 | 0.11 | 0.86 | 2.36 | 3.62 | 6.12 | 0.47 | 1.45 | 3.72 | 5.55 | 9.44 | 0.83 | 2.12 | 5.16 | 7.60 | 13.1 | 0.99 | 2.42 | 5.43 | 8.57 | 15.4 | | | | |
| 10 | 12 | 0.75 | 1.49 | 2.91 | 4.16 | 6.66 | 1.21 | 2.19 | 4.42 | 6.25 | 10.2 | 1.58 | 2.91 | 5.88 | 8.28 | 13.7 | 1.77 | 3.23 | 6.13 | 9.27 | 16.0 | | | | |
| | 16 | 0.40 | 1.14 | 2.60 | 3.85 | 6.35 | 0.81 | 1.78 | 4.01 | 5.84 | 9.7 | 1.16 | 2.45 | 5.41 | 7.80 | 13.2 | 1.33 | 2.76 | 5.68 | 8.77 | 15.5 | | | | |
| | 24 | | 0.46 | 2.00 | 3.24 | 5.74 | | 0.99 | 3.23 | 5.04 | 8.89 | 0.37 | 1.58 | 4.50 | 6.87 | 12.2 | 0.51 | 1.86 | 4.79 | 7.80 | 14.4 | | | | |
| 12 | 12 | 0.28 ^a | 1.00 | 2.44 | 3.68 | 6.15 | 0.64 | 1.57 | 3.74 | 5.57 | 9.40 | 0.97 | 2.18 | 4.90 | 7.15 | 12.2 | 1.13 | 2.49 | 5.21 | 8.08 | 14.2 | | | | |
| | 16 | | 0.52 ^a | 2.01 | 3.23 | 5.70 | 0.11 ³ | 1.02 | 3.17 | 4.98 | 8.76 | 0.43 ^a | 1.57 | 4.27 | 6.49 | 11.5 | 0.57 | 1.86 | 4.59 | 7.39 | 13.5 | | | | |
| | 24 | | | 1.19 ³ | 2.39 ^a | 4.82 | | | 2.13 ^a | 3.88 | 7.56 | | | 3.09 ^a | 5.26 | 10.1 | | 0.69 ⁴ | 3.42 | 6.08 | 12.0 | | | | |
| 14 | 12 | | 0.46 ³ | 1.90 ^a | 3.09 | 5.51 | | 0.91 ^a | 2.87 | 4.56 | 8.38 | 0.36 ³ | 1.41 | 3.82 | 5.85 | 10.4 | 0.48 ⁴ | 1.69 | 4.20 | 6.73 | 12.2 | | | | |
| | 16 | | | 1.35 ³ | 2.52 ^a | 4.90 | | 0.26 ³ | 2.20 ³ | 3.83 | 7.53 | | 0.70 ³ | 3.07 ^a | 5.05 | 9.47 | | 0.93 ⁴ | 3.44 | 5.88 | 11.2 | | | | |
| | 24 | | | 0.34 ² | 1.46 ³ | 3.77 ³ | | | 0.99 ³ | 2.52 ³ | 6.00 ^a | | | 1.72 ³ | 3.60 ³ | 7.82 | | | 2.05 ³ | 4.32 ⁴ | 9.4 | | | | |
| 16 | 12 | | | 1.32 ³ | 2.45 ³ | 4.76 | | 0.28 ³ | 2.01 ³ | 3.48 ^a | 6.77 | | 0.68 ³ | 2.77 ^a | 4.53 | 8.46 | | 0.91 ³ | 3.21 ⁴ | 5.37 | 10.0 | | | | |
| | 16 | | | 0.68 ² | 1.76 ³ | 4.00 ³ | | | 1.28 ³ | 2.68 ³ | 5.83 ^a | | | 1.96 ³ | 3.66 ³ | 7.45 | | | 2.34 ³ | 4.40 ⁴ | 8.88 | | | | |
| | 24 | | | | 0.55 ² | 2.66 ³ | | | | 1.27 ² | 4.16 ³ | | | 0.54 ² | 2.11 ³ | 5.66 ³ | | | 0.81 ² | 2.69 ³ | 6.92 ³ | | | | |

35 psf Lateral Load

| 6" MEMBERS | | | | | | | | | | | | | | | | | | | | | | | | | |
|------------------|-------------------------|---------|-------------------|-------------------|-------------------|-------------------|-------------------|-------------------|-------------------|-------------------|-------------------|--------|-------------------|-------------------|-------------------|-------------------|-------------------|-------------------|-------------------|-------------------|-------------------|--|--|--|--|
| Wall Height (ft) | Stud Spacing (in.) o.c. | 600S137 | | | | | | 600S162 | | | | | | 600S200 | | | | | | 600S250 | | | | | |
| | | 33 ksi | | 50 ksi | | 33 ksi | | 50 ksi | | 33 ksi | | 50 ksi | | 33 ksi | | 50 ksi | | 33 ksi | | 50 ksi | | | | | |
| | | 33 | 43 | 54 | 68 | 97 | 33 | 43 | 54 | 68 | 97 | 33 | 43 | 54 | 68 | 97 | 33 | 43 | 54 | 68 | 97 | | | | |
| 8 | 12 | 1.04 | 1.79 | 3.19 | 4.44 | 6.94 | 1.57 | 2.55 | 4.80 | 6.64 | 10.6 | 1.96 | 3.37 | 6.51 | 9.01 | 14.6 | 2.17 | 3.70 | 6.73 | 10.1 | 17.2 | | | | |
| | 16 | 0.77 | 1.52 | 2.96 | 4.21 | 6.72 | 1.25 | 2.24 | 4.50 | 6.34 | 10.3 | 1.64 | 3.02 | 6.16 | 8.65 | 14.3 | 1.84 | 3.34 | 6.39 | 9.69 | 16.8 | | | | |
| | 24 | 0.25 | 1.00 | 2.50 | 3.76 | 6.27 | 0.64 | 1.62 | 3.91 | 5.75 | 9.66 | 1.01 | 2.34 | 5.46 | 7.95 | 13.5 | 1.18 | 2.64 | 5.71 | 8.95 | 16.0 | | | | |
| 9 | 12 | 0.82 | 1.56 | 2.99 | 4.24 | 6.74 | 1.30 | 2.28 | 4.53 | 6.36 | 10.3 | 1.68 | 3.04 | 6.10 | 8.56 | 14.1 | 1.87 | 3.37 | 6.34 | 9.58 | 16.5 | | | | |
| | 16 | 0.48 | 1.23 | 2.69 | 3.94 | 6.45 | 0.91 | 1.89 | 4.15 | 5.98 | 9.9 | 1.28 | 2.61 | 5.66 | 8.11 | 13.6 | 1.46 | 2.92 | 5.91 | 9.10 | 16.0 | | | | |
| | 24 | | 0.58 | 2.12 | 3.37 | 5.88 | 0.16 | 1.13 | 3.41 | 5.23 | 9.11 | 0.51 | 1.77 | 4.79 | 7.23 | 12.7 | 0.66 | 2.05 | 5.07 | 8.18 | 15.0 | | | | |
| 10 | 12 | 0.57 | 1.31 | 2.76 | 4.00 | 6.50 | 1.01 | 1.98 | 4.22 | 6.05 | 9.9 | 1.37 | 2.68 | 5.64 | 8.04 | 13.4 | 1.55 | 2.99 | 5.90 | 9.02 | 15.7 | | | | |
| | 16 | 0.18 | 0.91 | 2.40 | 3.64 | 6.14 | 0.54 | 1.51 | 3.75 | 5.57 | 9.44 | 0.89 | 2.15 | 5.10 | 7.49 | 12.8 | 1.05 | 2.46 | 5.38 | 8.44 | 15.1 | | | | |
| | 24 | | 0.14 ^a | 1.70 | 2.94 | 5.44 | | 0.61 | 2.85 | 4.66 | 8.48 | | 1.16 | 4.07 | 6.42 | 11.7 | 0.11 | 1.43 | 4.37 | 7.32 | 13.8 | | | | |
| 12 | 12 | | 0.76 | 2.22 | 3.45 | 5.92 | 0.37 ^a | 1.29 | 3.45 | 5.28 | 9.08 | 0.70 | 1.87 | 4.58 | 6.81 | 11.8 | 0.85 | 2.17 | 4.90 | 7.73 | 13.8 | | | | |
| | 16 | | 0.22 ³ | 1.73 ^a | 2.94 | 5.40 | | 0.67 ^a | 2.82 | 4.61 | 8.35 | | 1.19 | 3.86 | 6.07 | 11.0 | 0.21 ⁴ | 1.46 | 4.19 | 6.94 | 12.9 | | | | |
| | 24 | | | 0.80 ³ | 1.99 ³ | 4.40 | | | 1.64 ³ | 3.36 ^a | 6.99 | | | 2.54 ^a | 4.68 | 9.5 | | 0.14 ³ | 2.87 ⁴ | 5.46 | 11.3 | | | | |
| 14 | 12 | | 0.17 ³ | 1.62 ³ | 2.80 | 5.20 | | 0.58 ³ | 2.53 ^a | 4.19 | 7.95 | | 1.04 ^a | 3.44 | 5.44 | 9.9 | 0.14 ³ | 1.30 ⁴ | 3.81 | 6.30 | 11.7 | | | | |
| | 16 | | | 1.00 ³ | 2.15 ³ | 4.51 | | | 1.77 ³ | 3.38 ^a | 7.00 | | 0.25 ³ | 2.60 ³ | 4.55 ^a | 8.90 | | 0.45 ³ | 2.95 ⁴ | 5.34 | 10.6 | | | | |
| | 24 | | | | 0.97 ³ | 3.24 ³ | | | 0.43 ² | 1.92 ³ | 5.30 ³ | | | 1.11 ³ | 2.94 ³ | 7.06 ^a | | | 1.41 ³ | 3.60 ³ | 8.55 | | | | |
| 16 | 12 | | | 0.99 ³ | 2.10 ³ | 4.37 ^a | | | 1.63 ³ | 3.07 ³ | 6.29 | | 0.28 ³ | 2.35 ³ | 4.08 ^a | 7.94 | | 0.48 ³ | 2.76 ³ | 4.88 | 9.43 | | | | |
| | 16 | | | 0.28 ² | 1.34 ³ | 3.53 ³ | | | 0.83 ² | 2.19 ³ | 5.24 ³ | | | 1.46 ³ | 3.11 ³ | 6.82 ^a | | | 1.81 ³ | 3.81 ³ | 8.20 | | | | |
| | 24 | | | | | 2.05 ² | | | | 0.64 ² | 3.42 ³ | | | | 1.42 ² | 4.86 ³ | | | 0.12 ² | 1.92 ³ | 6.03 ³ | | | | |

40 psf Lateral Load

| 6" MEMBERS | | | | | | | | | | | | | | | | | | | | | | | | | |
|------------------|-------------------------|---------|-------------------|-------------------|-------------------|-------------------|-------------------|-------------------|-------------------|-------------------|------|-------------------|-------------------|-------------------|-------------------|--------|------|--------|------|---------|------|--|--|--|--|
| Wall Height (ft) | Stud Spacing (in.) o.c. | 600S137 | | | | | | 600S162 | | | | | | 600S200 | | | | | | 600S250 | | | | | |
| | | 33 ksi | | 50 ksi | | 33 ksi | | 50 ksi | | 33 ksi | | 50 ksi | | 33 ksi | | 50 ksi | | 33 ksi | | 50 ksi | | | | | |
| | | 33 | 43 | 54 | 68 | 97 | 33 | 43 | 54 | 68 | 97 | 33 | 43 | 54 | 68 | 97 | 33 | 43 | 54 | 68 | 97 | | | | |
| 8 | 12 | 0.93 | 1.68 | 3.09 | 4.34 | 6.85 | 1.43 | 2.41 | 4.67 | 6.51 | 10.4 | 1.82 | 3.22 | 6.36 | 8.86 | 14.5 | 2.03 | 3.55 | 6.58 | 9.90 | 17.0 | | | | |
| | 16 | 0.62 | 1.37 | 2.83 | 4.08 | 6.59 | 1.07 | 2.06 | 4.33 | 6.17 | 10.1 | 1.46 | 2.83 | 5.96 | 8.45 | 14.1 | 1.65 | 3.14 | 6.19 | 9.47 | 16.6 | | | | |
| | 24 | | 0.78 | 2.31 | 3.57 | 6.08 | 0.38 | 1.37 | 3.66 | 5.50 | 9.40 | 0.74 | 2.05 | 5.17 | 7.65 | 13.2 | 0.90 | 2.35 | 5.43 | 8.64 | 15.6 | | | | |
| 9 | 12 | 0.67 | 1.42 | 2.86 | 4.11 | 6.62 | 1.13 | 2.11 | 4.36 | 6.20 | 10.1 | 1.50 | 2.85 | 5.91 | 8.37 | 13.9 | 1.69 | 3.17 | 6.16 | 9.37 | 16.3 | | | | |
| | 16 | 0.30 | 1.04 | 2.53 | 3.78 | 6.29 | 0.69 | 1.67 | 3.93 | 5.77 | 9.66 | 1.05 | 2.36 | 5.41 | 7.85 | 13.3 | 1.22 | 2.67 | 5.67 | 8.84 | 15.7 | | | | |
| | 24 | | 0.31 | 1.88 | 3.13 | 5.64 | | 0.82 | 3.10 | 4.92 | 8.79 | 0.19 | 1.42 | 4.43 | 6.86 | 12.3 | 0.32 | 1.69 | 4.72 | 7.79 | 14.6 | | | | |
| 10 | 12 | 0.40 | 1.14 | 2.60 | 3.85 | 6.35 | 0.81 | 1.78 | 4.01 | 5.84 | 9.7 | 1.16 | 2.45 | 5.41 | 7.80 | 13.2 | 1.33 | 2.76 | 5.68 | 8.77 | 15.5 | | | | |
| | 16 | | 0.69 | 2.19 | 3.44 | 5.94 | 0.28 | 1.24 | 3.49 | 5.30 | 9.16 | 0.63 | 1.86 | 4.80 | 7.18 | 12.5 | 0.78 | 2.16 | 5.08 | 8.12 | 14.7 | | | | |
| | 24 | | | 1.41 ^a | 2.65 | 5.14 | | 0.24 ^a | 2.49 | 4.28 | 8.08 | | 0.75 | 3.64 | 5.99 | 11.2 | | 1.00 | 3.95 | 6.86 | 13.3 | | | | |
| 12 | 12 | | 0.52 ^a | 2.01 | 3.23 | 5.70 | 0.11 ³ | 1.02 | 3.17 | 4.98 | 8.76 | 0.43 ^a | 1.57 | 4.27 | 6.49 | 11.5 | 0.57 | 1.86 | 4.59 | 7.39 | 13.5 | | | | |
| | 16 | | | 1.45 ^a | 2.66 | 5.11 | | 0.33 ³ | 2.47 ^a | 4.24 | 7.95 | | 0.82 ^a | 3.47 | 5.66 | 10.5 | | 1.07 | 3.80 | 6.50 | 12.5 | | | | |
| | 24 | | | 0.42 ³ | 1.60 ³ | 3.99 ^a | | | 1.17 ³ | 2.86 ³ | 6.44 | | | 2.02 ³ | 4.12 ^a | 8.82 | | | | | | | | | |

COMBINED AXIAL AND LATERAL LOADS

50 psf Lateral Load

| 6" MEMBERS | | 600S137 | | | | | 600S162 | | | | | 600S200 | | | | | 600S250 | | | | |
|------------------|-------------------------|---------|-------------------|-------------------|-------------------|-------------------|---------|-------------------|-------------------|-------------------|-------------------|-------------------|-------------------|-------------------|-------------------|-------------------|---------|-------------------|-------------------|-------------------|-------------------|
| Wall Height (ft) | Stud Spacing (in.) o.c. | 33 ksi | | 50 ksi | | | 33 ksi | | 50 ksi | | | 33 ksi | | 50 ksi | | | 33 ksi | | 50 ksi | | |
| | | 33 | 43 | 54 | 68 | 97 | 33 | 43 | 54 | 68 | 97 | 33 | 43 | 54 | 68 | 97 | 33 | 43 | 54 | 68 | 97 |
| 8 | 12 | 0.70 | 1.45 | 2.89 | 4.14 | 6.65 | 1.16 | 2.15 | 4.41 | 6.25 | 10.2 | 1.55 | 2.92 | 6.06 | 8.55 | 14.2 | 1.74 | 3.24 | 6.29 | 9.58 | 16.7 |
| | 16 | 0.32 | 1.07 | 2.56 | 3.82 | 6.33 | 0.72 | 1.71 | 3.99 | 5.83 | 9.8 | 1.10 | 2.43 | 5.56 | 8.05 | 13.6 | 1.27 | 2.74 | 5.81 | 9.05 | 16.1 |
| | 24 | | 0.35 | 1.93 | 3.19 | 5.71 | | 0.86 | 3.17 | 5.01 | 8.90 | 0.23 | 1.49 | 4.59 | 7.07 | 12.6 | 0.36 | 1.77 | 4.86 | 8.02 | 15.0 |
| 9 | 12 | 0.39 | 1.14 | 2.61 | 3.86 | 6.37 | 0.80 | 1.78 | 4.04 | 5.87 | 9.8 | 1.16 | 2.48 | 5.53 | 7.98 | 13.5 | 1.34 | 2.79 | 5.79 | 8.97 | 15.9 |
| | 16 | | 0.67 | 2.20 | 3.45 | 5.96 | 0.26 | 1.24 | 3.51 | 5.34 | 9.22 | 0.62 | 1.88 | 4.91 | 7.35 | 12.8 | 0.77 | 2.17 | 5.19 | 8.31 | 15.1 |
| | 24 | | | 1.41 | 2.66 | 5.17 | | 0.21 ^a | 2.50 | 4.31 | 8.15 | | 0.74 | 3.73 | 6.14 | 11.5 | | 0.99 | 4.03 | 7.03 | 13.7 |
| 10 | 12 | | 0.80 | 2.30 | 3.54 | 6.04 | 0.41 | 1.37 | 3.62 | 5.44 | 9.30 | 0.76 | 2.01 | 4.95 | 7.33 | 12.7 | 0.91 | 2.30 | 5.23 | 8.28 | 14.9 |
| | 16 | | 0.25 ^a | 1.80 | 3.04 | 5.54 | | 0.73 | 2.98 | 4.78 | 8.62 | 0.11 ^a | 1.30 | 4.21 | 6.57 | 11.9 | 0.24 | 1.57 | 4.51 | 7.48 | 14.0 |
| | 24 | | | 0.86 ^b | 2.09 ^a | 4.56 | | | 1.77 ^a | 3.54 | 7.30 | | | 2.82 | 5.13 | 10.3 | | 0.18 [†] | 3.13 | 5.96 | 12.3 |
| 12 | 12 | | | 1.59 ^a | 2.80 | 5.25 | | 0.50 ^a | 2.64 | 4.42 | 8.15 | | 1.00 ^a | 3.67 | 5.86 | 10.8 | | 1.26 | 3.99 | 6.72 | 12.7 |
| | 16 | | | 0.93 ^b | 2.12 ^a | 4.54 | | | 1.80 ^b | 3.53 ^a | 7.18 | | 0.11 ^b | 2.73 ^a | 4.87 | 9.7 | | 0.32 ^b | 3.05 [†] | 5.67 | 11.5 |
| | 24 | | | 0.85 ^b | 3.21 ^b | | | | 0.28 ^b | 1.90 ^b | 5.39 ^a | | | 1.01 ^b | 3.05 ^b | 7.63 | | | 1.32 ^b | 3.72 [†] | 9.3 |
| 14 | 12 | | | 0.83 ^b | 1.97 ^b | 4.32 ^a | | | 1.57 ^b | 3.16 ^b | 6.74 | | | 2.37 ^b | 4.30 ^a | 8.62 | | 0.22 ^b | 2.72 ^b | 5.07 | 10.3 |
| | 16 | | | | 1.13 ^b | 3.41 ^b | | | 0.61 ^b | 2.12 ^b | 5.53 ^b | | | 1.31 ^b | 3.16 ^b | 7.31 ^a | | | 1.62 ^b | 3.83 ^b | 8.82 |
| | 24 | | | | | 1.77 ^b | | | | 0.28 ^b | 3.37 ^b | | | | 1.12 ^b | 4.98 ^b | | | | 1.62 ^b | 6.26 ^b |
| 16 | 12 | | | | 1.13 ^b | 3.31 ^b | | | 0.61 ^b | 1.95 ^b | 4.96 ^b | | | 1.22 ^b | 2.85 ^b | 6.52 ^a | | | 1.55 ^b | 3.52 ^b | 7.87 ^a |
| | 16 | | | | 0.18 ^b | 2.25 ^b | | | | 0.85 ^b | 3.66 ^b | | | 0.11 ^b | 1.64 ^b | 5.12 ^b | | | 0.35 ^b | 2.17 ^b | 6.32 ^b |
| | 24 | | | | | 0.39 ^b | | | | 1.41 ^b | | | | | 2.68 ^b | | | | | | 3.63 ^b |

5 psf Lateral Load (Interior Walls)

| 8" MEMBERS | | 800S137 | | | | 800S162 | | | | 800S200 | | | | 800S250 | | | | | | |
|------------------|-------------------------|---------|------|--------|------|---------|------|--------|------|---------|------|--------|------|---------|------|--------|------|------|------|------|
| Wall Height (ft) | Stud Spacing (in.) o.c. | 33 ksi | | 50 ksi | | 33 ksi | | 50 ksi | | 33 ksi | | 50 ksi | | 33 ksi | | 50 ksi | | | | |
| | | 43 | 54 | 68 | 97 | 43 | 54 | 68 | 97 | 118 | 43 | 54 | 68 | 97 | 118 | 43 | 54 | 68 | 97 | 118 |
| 8 | 12 | 2.42 | 3.56 | 4.73 | 7.21 | 3.35 | 5.42 | 7.23 | 11.2 | 14.3 | 4.47 | 7.73 | 10.3 | 16.0 | 20.4 | 4.89 | 8.16 | 11.8 | 19.7 | 25.8 |
| | 16 | 2.39 | 3.53 | 4.71 | 7.19 | 3.31 | 5.39 | 7.20 | 11.2 | 14.3 | 4.43 | 7.70 | 10.2 | 15.9 | 20.4 | 4.85 | 8.12 | 11.7 | 19.7 | 25.8 |
| | 24 | 2.34 | 3.49 | 4.67 | 7.15 | 3.25 | 5.33 | 7.15 | 11.2 | 14.2 | 4.35 | 7.62 | 10.2 | 15.9 | 20.3 | 4.78 | 8.05 | 11.7 | 19.6 | 25.7 |
| 9 | 12 | 2.40 | 3.54 | 4.71 | 7.19 | 3.32 | 5.40 | 7.21 | 11.2 | 14.3 | 4.43 | 7.70 | 10.2 | 15.9 | 20.4 | 4.85 | 8.09 | 11.7 | 19.6 | 25.7 |
| | 16 | 2.36 | 3.51 | 4.69 | 7.17 | 3.28 | 5.36 | 7.17 | 11.2 | 14.3 | 4.39 | 7.65 | 10.2 | 15.9 | 20.4 | 4.80 | 8.04 | 11.7 | 19.6 | 25.7 |
| | 24 | 2.29 | 3.45 | 4.63 | 7.11 | 3.19 | 5.28 | 7.10 | 11.1 | 14.2 | 4.29 | 7.56 | 10.1 | 15.8 | 20.3 | 4.70 | 7.95 | 11.6 | 19.5 | 25.5 |
| 10 | 12 | 2.37 | 3.52 | 4.69 | 7.17 | 3.29 | 5.37 | 7.18 | 11.2 | 14.3 | 4.40 | 7.66 | 10.2 | 15.9 | 20.4 | 4.79 | 8.01 | 11.6 | 19.5 | 25.5 |
| | 16 | 2.33 | 3.48 | 4.66 | 7.14 | 3.24 | 5.32 | 7.13 | 11.1 | 14.2 | 4.34 | 7.60 | 10.1 | 15.8 | 20.3 | 4.73 | 7.95 | 11.6 | 19.4 | 25.4 |
| | 24 | 2.24 | 3.41 | 4.59 | 7.07 | 3.13 | 5.22 | 7.04 | 11.1 | 14.2 | 4.22 | 7.48 | 10.0 | 15.7 | 20.2 | 4.60 | 7.83 | 11.4 | 19.3 | 25.3 |
| 12 | 12 | 2.31 | 3.46 | 4.64 | 7.12 | 3.21 | 5.30 | 7.11 | 11.1 | 14.2 | 4.31 | 7.57 | 10.1 | 15.8 | 20.3 | 4.65 | 7.79 | 11.4 | 19.1 | 24.8 |
| | 16 | 2.24 | 3.41 | 4.59 | 7.07 | 3.14 | 5.22 | 7.04 | 11.1 | 14.2 | 4.22 | 7.48 | 10.0 | 15.7 | 20.2 | 4.56 | 7.71 | 11.3 | 19.0 | 24.7 |
| | 24 | 2.12 | 3.30 | 4.49 | 6.97 | 2.98 | 5.08 | 6.90 | 10.9 | 14.0 | 4.04 | 7.30 | 9.83 | 15.5 | 20.0 | 4.38 | 7.53 | 11.1 | 18.8 | 24.5 |
| 14 | 12 | 2.23 | 3.40 | 4.58 | 7.06 | 3.12 | 5.20 | 7.02 | 11.0 | 14.1 | 4.14 | 7.34 | 9.91 | 15.7 | 20.1 | 4.47 | 7.50 | 11.0 | 18.4 | 23.8 |
| | 16 | 2.14 | 3.32 | 4.50 | 6.99 | 3.01 | 5.10 | 6.92 | 10.9 | 14.0 | 4.02 | 7.21 | 9.78 | 15.5 | 20.0 | 4.34 | 7.38 | 10.8 | 18.3 | 23.7 |
| | 24 | 1.97 | 3.17 | 4.36 | 6.85 | 2.80 | 4.90 | 6.72 | 10.7 | 13.9 | 3.77 | 6.96 | 9.53 | 15.3 | 19.7 | 4.10 | 7.13 | 10.6 | 18.0 | 23.4 |
| 16 | 12 | 2.14 | 3.32 | 4.50 | 6.98 | 3.00 | 5.09 | 6.90 | 10.9 | 14.0 | 3.91 | 6.92 | 9.39 | 15.1 | 19.7 | 4.24 | 7.12 | 10.4 | 17.4 | 22.6 |
| | 16 | 2.02 | 3.22 | 4.40 | 6.89 | 2.86 | 4.95 | 6.76 | 10.8 | 13.9 | 3.75 | 6.75 | 9.22 | 14.9 | 19.5 | 4.08 | 6.96 | 10.2 | 17.2 | 22.4 |
| | 24 | 1.79 | 3.02 | 4.20 | 6.69 | 2.58 | 4.68 | 6.49 | 10.5 | 13.7 | 3.43 | 6.42 | 8.89 | 14.5 | 19.1 | 3.76 | 6.64 | 9.86 | 16.8 | 21.9 |

15 psf Lateral Load

| 8" MEMBERS | | 800S137 | | | | 800S162 | | | | 800S200 | | | | 800S250 | | | | | | |
|------------------|-------------------------|---------|------|--------|------|---------|------|--------|------|---------|------|--------|------|---------|------|--------|------|------|------|------|
| Wall Height (ft) | Stud Spacing (in.) o.c. | 33 ksi | | 50 ksi | | 33 ksi | | 50 ksi | | 33 ksi | | 50 ksi | | 33 ksi | | 50 ksi | | | | |
| | | 43 | 54 | 68 | 97 | 43 | 54 | 68 | 97 | 118 | 43 | 54 | 68 | 97 | 118 | 43 | 54 | 68 | 97 | 118 |
| 8 | 12 | 2.25 | 3.42 | 4.60 | 7.09 | 3.15 | 5.24 | 7.06 | 11.1 | 14.2 | 4.24 | 7.51 | 10.1 | 15.7 | 20.2 | 4.66 | 7.94 | 11.5 | 19.5 | 25.6 |
| | 16 | 2.17 | 3.35 | 4.54 | 7.02 | 3.05 | 5.15 | 6.97 | 11.0 | 14.1 | 4.13 | 7.40 | 9.94 | 15.6 | 20.1 | 4.54 | 7.82 | 11.4 | 19.4 | 25.4 |
| | 24 | 2.01 | 3.22 | 4.40 | 6.90 | 2.86 | 4.98 | 6.80 | 10.8 | 14.0 | 3.90 | 7.18 | 9.72 | 15.4 | 19.9 | 4.31 | 7.60 | 11.2 | 19.1 | 25.2 |
| 9 | 12 | 2.19 | 3.36 | 4.55 | 7.03 | 3.07 | 5.17 | 6.99 | 11.0 | 14.1 | 4.14 | 7.41 | 10.0 | 15.6 | 20.1 | 4.55 | 7.80 | 11.4 | 19.3 | 25.4 |
| | 16 | 2.08 | 3.28 | 4.46 | 6.95 | 2.95 | 5.05 | 6.87 | 10.9 | 14.0 | 4.00 | 7.27 | 9.81 | 15.5 | 20.0 | 4.40 | 7.66 | 11.3 | 19.1 | 25.2 |
| | 24 | 1.87 | 3.10 | 4.30 | 6.79 | 2.70 | 4.83 | 6.65 | 10.7 | 13.8 | 3.71 | 6.98 | 9.53 | 15.2 | 19.7 | 4.10 | 7.38 | 10.9 | 18.8 | 24.9 |
| 10 | 12 | 2.11 | 3.30 | 4.48 | 6.97 | 2.98 | 5.08 | 6.90 | 10.9 | 14.0 | 4.04 | 7.30 | 9.84 | 15.5 | 20.0 | 4.42 | 7.65 | 11.2 | 19.1 | 25.0 |
| | 16 | 1.98 | 3.19 | 4.38 | 6.87 | 2.82 | 4.94 | 6.76 | 10.8 | 13.9 | 3.86 | 7.12 | 9.67 | 15.4 | 19.8 | 4.23 | 7.47 | 11.0 | 18.9 | 24.8 |
| | 24 | 1.72 | 2.98 | 4.17 | 6.67 | 2.52 | 4.66 | 6.48 | 10.5 | 13.7 | 3.50 | 6.77 | 9.32 | 15.0 | 19.5 | 3.87 | 7.12 | 10.7 | 18.4 | 24.4 |
| 12 | 12 | 1.93 | 3.14 | 4.33 | 6.83 | 2.76 | 4.87 | 6.69 | 10.7 | 13.9 | 3.78 | 7.03 | 9.57 | 15.3 | 19.7 | 4.11 | 7.27 | 10.8 | 18.4 | 24.2 |
| | 16 | 1.74 | 2.99 | 4.18 | 6.68 | 2.54 | 4.66 | 6.48 | 10.5 | 13.7 | 3.52 | 6.76 | 9.30 | 15.0 | 19.4 | 3.84 | 7.01 | 10.5 | 18.1 | 23.8 |
| | 24 | 1.37 | 2.68 | 3.88 | 6.39 | 2.10 | 4.25 | 6.08 | 10.1 | 13.3 | 3.00 | 6.24 | 8.78 | 14.5 | 18.9 | 3.32 | 6.50 | 10.0 | 17.5 | 23.2 |
| 14 | 12 | 1.71 | 2.96 | 4.14 | 6.64 | 2.49 | 4.61 | 6.42 | 10.4 | 13.6 | 3.41 | 6.58 | 9.15 | 14.9 | 19.3 | 3.73 | 6.78 | 10.2 | 17.5 | 22.9 |
| | 16 | 1.45 | 2.74 | 3.93 | 6.43 | 2.19 | 4.32 | 6.14 | 10.1 | 13.4 | 3.06 | 6.22 | 8.78 | 14.5 | 18.9 | 3.37 | 6.43 | 9.78 | 17.1 | 22.5 |
| | 24 | 0.96 | 2.32 | 3.52 | 6.03 | 1.61 | 3.76 | 5.57 | 9.56 | 12.9 | 2.39 | 5.51 | 8.06 | 13.7 | 18.2 | 2.68 | 5.74 | 9.03 | 16.3 | 21.6 |
| 16 | 12 | 1.45 | 2.73 | | | | | | | | | | | | | | | | | |

COMBINED AXIAL AND LATERAL LOADS

20 psf Lateral Load

| 8" MEMBERS | | | | | | | | | | | | | | | | | | | | |
|------------------|-------------------------|---------|-------------------|--------|------|-------------------|------|--------|------|------|---------|------|--------|------|------|---------|------|--------|------|------|
| Wall Height (ft) | Stud Spacing (in.) o.c. | 800S137 | | | | 800S162 | | | | | 800S200 | | | | | 800S250 | | | | |
| | | 33 ksi | | 50 ksi | | 33 ksi | | 50 ksi | | | 33 ksi | | 50 ksi | | | 33 ksi | | 50 ksi | | |
| | | 43 | 54 | 68 | 97 | 43 | 54 | 68 | 97 | 118 | 43 | 54 | 68 | 97 | 118 | 43 | 54 | 68 | 97 | 118 |
| 8 | 12 | 2.17 | 3.35 | 4.54 | 7.02 | 3.05 | 5.15 | 6.97 | 11.0 | 14.1 | 4.13 | 7.40 | 9.94 | 15.6 | 20.1 | 4.54 | 7.82 | 11.4 | 19.4 | 25.4 |
| | 16 | 2.06 | 3.26 | 4.45 | 6.94 | 2.93 | 5.04 | 6.86 | 10.9 | 14.0 | 3.98 | 7.25 | 9.79 | 15.5 | 20.0 | 4.38 | 7.68 | 11.3 | 19.2 | 25.3 |
| | 24 | 1.84 | 3.08 | 4.27 | 6.78 | 2.67 | 4.80 | 6.63 | 10.7 | 13.8 | 3.68 | 6.95 | 9.51 | 15.2 | 19.7 | 4.07 | 7.38 | 11.0 | 18.9 | 24.9 |
| 9 | 12 | 2.08 | 3.28 | 4.46 | 6.95 | 2.95 | 5.05 | 6.87 | 10.9 | 14.0 | 4.00 | 7.27 | 9.81 | 15.5 | 20.0 | 4.40 | 7.66 | 11.3 | 19.1 | 25.2 |
| | 16 | 1.94 | 3.16 | 4.35 | 6.85 | 2.78 | 4.90 | 6.73 | 10.7 | 13.9 | 3.81 | 7.08 | 9.63 | 15.3 | 19.8 | 4.20 | 7.47 | 11.0 | 18.9 | 25.0 |
| | 24 | 1.66 | 2.93 | 4.13 | 6.64 | 2.46 | 4.60 | 6.43 | 10.5 | 13.7 | 3.43 | 6.70 | 9.26 | 15.0 | 19.4 | 3.81 | 7.10 | 10.6 | 18.5 | 24.5 |
| 10 | 12 | 1.98 | 3.19 | 4.38 | 6.87 | 2.82 | 4.94 | 6.76 | 10.8 | 13.9 | 3.86 | 7.12 | 9.67 | 15.4 | 19.8 | 4.23 | 7.47 | 11.0 | 18.9 | 24.8 |
| | 16 | 1.81 | 3.05 | 4.24 | 6.74 | 2.62 | 4.75 | 6.58 | 10.6 | 13.8 | 3.62 | 6.88 | 9.43 | 15.1 | 19.6 | 3.99 | 7.24 | 10.8 | 18.6 | 24.6 |
| | 24 | 1.46 | 2.76 | 3.97 | 6.48 | 2.22 | 4.38 | 6.21 | 10.2 | 13.5 | 3.15 | 6.41 | 8.97 | 14.7 | 19.1 | 3.50 | 6.77 | 10.3 | 18.0 | 24.0 |
| 12 | 12 | 1.74 | 2.99 | 4.18 | 6.68 | 2.54 | 4.66 | 6.48 | 10.5 | 13.7 | 3.52 | 6.76 | 9.30 | 15.0 | 19.4 | 3.84 | 7.01 | 10.5 | 18.1 | 23.8 |
| | 16 | 1.49 | 2.78 | 3.98 | 6.48 | 2.24 | 4.39 | 6.21 | 10.2 | 13.5 | 3.17 | 6.41 | 8.96 | 14.6 | 19.1 | 3.49 | 6.67 | 10.1 | 17.7 | 23.4 |
| | 24 | 1.01 | 2.37 | 3.58 | 6.10 | 1.67 | 3.84 | 5.67 | 9.68 | 13.0 | 2.51 | 5.72 | 8.27 | 13.9 | 18.4 | 2.81 | 6.00 | 9.41 | 16.9 | 22.6 |
| 14 | 12 | 1.45 | 2.74 | 3.93 | 6.43 | 2.19 | 4.32 | 6.14 | 10.1 | 13.4 | 3.06 | 6.22 | 8.78 | 14.5 | 18.9 | 3.37 | 6.43 | 9.78 | 17.1 | 22.5 |
| | 16 | 1.12 | 2.46 | 3.65 | 6.16 | 1.80 | 3.94 | 5.76 | 9.75 | 13.0 | 2.61 | 5.74 | 8.30 | 14.0 | 18.4 | 2.91 | 5.97 | 9.28 | 16.5 | 21.9 |
| | 24 | 0.49 | 1.91 | 3.11 | 5.63 | 1.05 | 3.21 | 5.03 | 8.99 | 12.4 | 1.75 | 4.83 | 7.37 | 13.0 | 17.4 | 2.02 | 5.09 | 8.30 | 15.5 | 20.8 |
| 16 | 12 | 1.13 | 2.45 | 3.64 | 6.14 | 1.80 | 3.91 | 5.71 | 9.68 | 13.0 | 2.54 | 5.48 | 7.92 | 13.5 | 18.0 | 2.84 | 5.74 | 8.86 | 15.7 | 20.8 |
| | 16 | 0.72 | 2.08 | 3.28 | 5.77 | 1.30 | 3.42 | 5.22 | 9.16 | 12.5 | 1.98 | 4.89 | 7.32 | 12.8 | 17.3 | 2.26 | 5.16 | 8.22 | 15.0 | 20.0 |
| | 24 | | 1.39 ^a | 2.58 | 5.07 | 0.38 ^a | 2.50 | 4.27 | 8.17 | 11.6 | 0.94 | 3.78 | 6.17 | 11.6 | 16.0 | 1.18 | 4.07 | 7.01 | 13.6 | 18.6 |

25 psf Lateral Load

| 8" MEMBERS | | | | | | | | | | | | | | | | | | | | |
|------------------|-------------------------|-------------------|-------------------|-------------------|------|---------|-------------------|--------|------|------|-------------------|-------------------|--------|------|------|-------------------|------|--------|------|------|
| Wall Height (ft) | Stud Spacing (in.) o.c. | 800S137 | | | | 800S162 | | | | | 800S200 | | | | | 800S250 | | | | |
| | | 33 ksi | | 50 ksi | | 33 ksi | | 50 ksi | | | 33 ksi | | 50 ksi | | | 33 ksi | | 50 ksi | | |
| | | 43 | 54 | 68 | 97 | 43 | 54 | 68 | 97 | 118 | 43 | 54 | 68 | 97 | 118 | 43 | 54 | 68 | 97 | 118 |
| 8 | 12 | 2.09 | 3.28 | 4.47 | 6.96 | 2.96 | 5.07 | 6.89 | 10.9 | 14.0 | 4.01 | 7.29 | 9.83 | 15.5 | 20.0 | 4.42 | 7.71 | 11.3 | 19.2 | 25.3 |
| | 16 | 1.95 | 3.17 | 4.36 | 6.86 | 2.80 | 4.92 | 6.74 | 10.8 | 13.9 | 3.83 | 7.10 | 9.65 | 15.3 | 19.8 | 4.23 | 7.53 | 11.1 | 19.0 | 25.1 |
| | 24 | 1.68 | 2.95 | 4.14 | 6.65 | 2.48 | 4.62 | 6.45 | 10.5 | 13.7 | 3.46 | 6.73 | 9.29 | 15.0 | 19.5 | 3.84 | 7.16 | 10.7 | 18.6 | 24.7 |
| 9 | 12 | 1.98 | 3.19 | 4.38 | 6.87 | 2.82 | 4.94 | 6.76 | 10.8 | 13.9 | 3.86 | 7.13 | 9.67 | 15.4 | 19.8 | 4.25 | 7.52 | 11.1 | 19.0 | 25.0 |
| | 16 | 1.80 | 3.05 | 4.24 | 6.74 | 2.62 | 4.75 | 6.58 | 10.6 | 13.8 | 3.62 | 6.89 | 9.44 | 15.1 | 19.6 | 4.00 | 7.28 | 10.8 | 18.7 | 24.8 |
| | 24 | 1.46 | 2.76 | 3.96 | 6.48 | 2.21 | 4.38 | 6.21 | 10.2 | 13.5 | 3.15 | 6.42 | 8.98 | 14.7 | 19.1 | 3.51 | 6.82 | 10.3 | 18.2 | 24.2 |
| 10 | 12 | 1.85 | 3.08 | 4.27 | 6.77 | 2.67 | 4.80 | 6.62 | 10.6 | 13.8 | 3.68 | 6.94 | 9.49 | 15.2 | 19.7 | 4.05 | 7.30 | 10.9 | 18.6 | 24.6 |
| | 16 | 1.63 | 2.91 | 4.10 | 6.61 | 2.42 | 4.56 | 6.39 | 10.4 | 13.6 | 3.38 | 6.65 | 9.20 | 14.9 | 19.4 | 3.75 | 7.00 | 10.5 | 18.3 | 24.3 |
| | 24 | 1.21 | 2.55 | 3.76 | 6.28 | 1.92 | 4.10 | 5.93 | 10.0 | 13.2 | 2.81 | 6.06 | 8.62 | 14.3 | 18.8 | 3.15 | 6.43 | 9.91 | 17.6 | 23.6 |
| 12 | 12 | 1.55 | 2.83 | 4.03 | 6.53 | 2.32 | 4.45 | 6.28 | 10.3 | 13.5 | 3.26 | 6.50 | 9.04 | 14.7 | 19.2 | 3.58 | 6.75 | 10.2 | 17.8 | 23.5 |
| | 16 | 1.25 | 2.57 | 3.78 | 6.29 | 1.96 | 4.11 | 5.94 | 10.0 | 13.2 | 2.84 | 6.06 | 8.61 | 14.3 | 18.7 | 3.15 | 6.33 | 9.77 | 17.3 | 23.0 |
| | 24 | 0.65 | 2.07 | 3.28 | 5.81 | 1.26 | 3.45 | 5.28 | 9.28 | 12.7 | 2.02 | 5.22 | 7.77 | 13.4 | 17.8 | 2.31 | 5.51 | 8.87 | 16.4 | 22.0 |
| 14 | 12 | 1.20 | 2.53 | 3.72 | 6.23 | 1.90 | 4.03 | 5.85 | 9.84 | 13.1 | 2.72 | 5.86 | 8.42 | 14.1 | 18.5 | 3.02 | 6.08 | 9.40 | 16.7 | 22.0 |
| | 16 | 0.80 | 2.18 | 3.38 | 5.89 | 1.42 | 3.57 | 5.39 | 9.37 | 12.7 | 2.17 | 5.28 | 7.83 | 13.5 | 17.9 | 2.46 | 5.52 | 8.78 | 16.0 | 21.3 |
| | 24 | | 1.51 | 2.72 | 5.23 | 0.51 | 2.69 | 4.49 | 8.44 | 11.9 | 1.13 | 4.18 | 6.70 | 12.3 | 16.7 | 1.37 | 4.45 | 7.59 | 14.7 | 19.9 |
| 16 | 12 | 0.82 | 2.17 | 3.37 | 5.86 | 1.43 | 3.54 | 5.34 | 9.29 | 12.6 | 2.12 | 5.03 | 7.47 | 13.0 | 17.5 | 2.40 | 5.30 | 8.38 | 15.2 | 20.2 |
| | 16 | 0.32 ^a | 1.73 | 2.92 | 5.42 | 0.83 | 2.95 | 4.74 | 8.66 | 12.1 | 1.45 | 4.33 | 6.73 | 12.2 | 16.6 | 1.71 | 4.61 | 7.61 | 14.3 | 19.3 |
| | 24 | | 0.90 ^a | 2.08 ^a | 4.57 | | 1.86 ^a | 3.61 | 7.46 | 11.0 | 0.21 ^a | 3.01 ^a | 5.35 | 10.7 | 15.0 | 0.41 ^a | 3.30 | 6.15 | 12.6 | 17.5 |

30 psf Lateral Load

| 8" MEMBERS | | | | | | | | | | | | | | | | | | | | |
|------------------|-------------------------|---------|-------------------|--------|------|---------|------|--------|------|------|---------|------|--------|------|------|---------|------|--------|------|------|
| Wall Height (ft) | Stud Spacing (in.) o.c. | 800S137 | | | | 800S162 | | | | | 800S200 | | | | | 800S250 | | | | |
| | | 33 ksi | | 50 ksi | | 33 ksi | | 50 ksi | | | 33 ksi | | 50 ksi | | | 33 ksi | | 50 ksi | | |
| | | 43 | 54 | 68 | 97 | 43 | 54 | 68 | 97 | 118 | 43 | 54 | 68 | 97 | 118 | 43 | 54 | 68 | 97 | 118 |
| 8 | 12 | 2.01 | 3.22 | 4.40 | 6.90 | 2.86 | 4.98 | 6.80 | 10.8 | 14.0 | 3.90 | 7.18 | 9.72 | 15.4 | 19.9 | 4.31 | 7.60 | 11.2 | 19.1 | 25.2 |
| | 16 | 1.84 | 3.08 | 4.27 | 6.78 | 2.67 | 4.80 | 6.63 | 10.7 | 13.8 | 3.68 | 6.95 | 9.51 | 15.2 | 19.7 | 4.07 | 7.38 | 11.0 | 18.9 | 24.9 |
| | 24 | 1.52 | 2.81 | 4.01 | 6.53 | 2.29 | 4.45 | 6.28 | 10.3 | 13.5 | 3.23 | 6.51 | 9.07 | 14.8 | 19.2 | 3.61 | 6.94 | 10.5 | 18.4 | 24.4 |
| 9 | 12 | 1.87 | 3.10 | 4.30 | 6.79 | 2.70 | 4.83 | 6.65 | 10.7 | 13.8 | 3.71 | 6.98 | 9.53 | 15.2 | 19.7 | 4.10 | 7.38 | 10.9 | 18.8 | 24.9 |
| | 16 | 1.66 | 2.93 | 4.13 | 6.64 | 2.46 | 4.60 | 6.43 | 10.5 | 13.7 | 3.43 | 6.70 | 9.26 | 15.0 | 19.4 | 3.81 | 7.10 | 10.6 | 18.5 | 24.5 |
| | 24 | 1.25 | 2.59 | 3.80 | 6.32 | 1.97 | 4.16 | 5.99 | 10.0 | 13.3 | 2.87 | 6.14 | 8.70 | 14.4 | 18.9 | 3.22 | 6.54 | 10.0 | 17.8 | 23.9 |
| 10 | 12 | 1.72 | 2.98 | 4.17 | 6.67 | 2.52 | 4.66 | 6.48 | 10.5 | 13.7 | 3.50 | 6.77 | 9.32 | 15.0 | 19.5 | 3.87 | 7.12 | 10.7 | 18.4 | 24.4 |
| | 16 | 1.46 | 2.76 | 3.97 | 6.48 | 2.22 | 4.38 | 6.21 | 10.2 | 13.5 | 3.15 | 6.41 | 8.97 | 14.7 | 19.1 | 3.50 | 6.77 | 10.3 | 18.0 | 24.0 |
| | 24 | 0.96 | 2.34 | 3.56 | 6.08 | 1.63 | 3.82 | 5.66 | 9.69 | 13.0 | 2.46 | 5.72 | 8.28 | 14.0 | 18.4 | 2.79 | 6.08 | 9.54 | 17.2 | 23.2 |
| 12 | 12 | 1.37 | 2.68 | 3.88 | 6.39 | 2.10 | 4.25 | 6.08 | 10.1 | 13.3 | 3.00 | 6.24 | 8.78 | 14.5 | 18.9 | 3.32 | 6.50 | 10.0 | 17.5 | 23.2 |
| | 16 | 1.01 | 2.37 | 3.58 | 6.10 | 1.67 | 3.84 | 5.67 | 9.68 | 13.0 | 2.51 | 5.72 | 8.27 | 13.9 | 18.4 | 2.81 | 6.00 | 9.41 | 16.9 | 22.6 |
| | 24 | 0.31 | 1.77 | 2.99 | 5.52 | 0.85 | 3.06 | 4.89 | 8.89 | 12.3 | 1.55 | 4.73 | 7.28 | 12.9 | 17.3 | 1.82 | 5.03 | 8.35 | 15.8 | 21.4 |
| 14 | 12 | 0.96 | 2.32 | 3.52 | 6.03 | 1.61 | 3.76 | 5.57 | 9.56 | 12.9 | 2.39 | 5.51 | 8.06 | 13.7 | 18.2 | 2.68 | 5.74 | 9.03 | 16.3 | 21.6 |
| | 16 | 0.49 | 1.91 | 3.11 | 5.63 | 1.05 | 3.21 | 5.03 | 8.99 | 12.4 | 1.75 | 4.83 | 7.37 | 13.0 | 17.4 | 2.02 | 5.09 | 8.30 | 15.5 | 20.8 |
| | 24 | | 1.12 ^a | 2.33 | 4.85 | | 2.18 | 3.98 | 7.91 | 11.5 | 0.53 | 3.54 | 6.05 | 11.6 | 15.9 | 0.76 | 3.83 | 6.91 | 13.9 | 19.1 |
| 16 | 12 | 0.51 | 1.91 | 3.10 | | | | | | | | | | | | | | | | |

COMBINED AXIAL AND LATERAL LOADS

35 psf Lateral Load

8" MEMBERS

| Wall Height (ft) | Stud Spacing (in.) o.c. | 800S137 | | | | 800S162 | | | | | 800S200 | | | | | 800S250 | | | | |
|------------------|-------------------------|-------------------|-------------------|-------------------|-------------------|-------------------|-------------------|-------------------|------|------|-------------------|-------------------|-------------------|------|------|-------------------|-------------------|-------------------|------|------|
| | | 33 ksi | | 50 ksi | | 33 ksi | | 50 ksi | | | 33 ksi | | 50 ksi | | | 33 ksi | | 50 ksi | | |
| | | 43 | 54 | 68 | 97 | 43 | 54 | 68 | 97 | 118 | 43 | 54 | 68 | 97 | 118 | 43 | 54 | 68 | 97 | 118 |
| 8 | 12 | 1.92 | 3.15 | 4.34 | 6.84 | 2.76 | 4.89 | 6.71 | 10.7 | 13.9 | 3.79 | 7.07 | 9.61 | 15.3 | 19.8 | 4.19 | 7.49 | 11.1 | 19.0 | 25.1 |
| | 16 | 1.73 | 2.99 | 4.19 | 6.69 | 2.54 | 4.68 | 6.51 | 10.5 | 13.7 | 3.53 | 6.81 | 9.36 | 15.1 | 19.5 | 3.92 | 7.23 | 10.8 | 18.7 | 24.8 |
| | 24 | 1.35 | 2.68 | 3.89 | 6.40 | 2.10 | 4.27 | 6.11 | 10.1 | 13.4 | 3.01 | 6.30 | 8.86 | 14.6 | 19.0 | 3.38 | 6.72 | 10.3 | 18.1 | 24.2 |
| 9 | 12 | 1.77 | 3.02 | 4.21 | 6.71 | 2.58 | 4.71 | 6.54 | 10.6 | 13.7 | 3.57 | 6.84 | 9.39 | 15.1 | 19.6 | 3.95 | 7.24 | 10.8 | 18.6 | 24.7 |
| | 16 | 1.53 | 2.82 | 4.02 | 6.53 | 2.29 | 4.45 | 6.28 | 10.3 | 13.5 | 3.24 | 6.51 | 9.07 | 14.8 | 19.2 | 3.61 | 6.91 | 10.4 | 18.3 | 24.3 |
| | 24 | 1.05 | 2.42 | 3.64 | 6.16 | 1.73 | 3.93 | 5.78 | 9.80 | 13.1 | 2.59 | 5.86 | 8.43 | 14.1 | 18.6 | 2.93 | 6.26 | 9.75 | 17.5 | 23.6 |
| 10 | 12 | 1.59 | 2.87 | 4.07 | 6.58 | 2.37 | 4.52 | 6.35 | 10.4 | 13.6 | 3.33 | 6.59 | 9.14 | 14.8 | 19.3 | 3.68 | 6.95 | 10.5 | 18.2 | 24.2 |
| | 16 | 1.30 | 2.62 | 3.83 | 6.34 | 2.02 | 4.19 | 6.03 | 10.1 | 13.3 | 2.92 | 6.18 | 8.74 | 14.4 | 18.9 | 3.26 | 6.54 | 10.0 | 17.8 | 23.7 |
| | 24 | 0.71 | 2.14 | 3.35 | 5.89 | 1.34 | 3.55 | 5.39 | 9.42 | 12.8 | 2.13 | 5.38 | 7.94 | 13.6 | 18.1 | 2.44 | 5.74 | 9.17 | 16.8 | 22.8 |
| 12 | 12 | 1.19 | 2.52 | 3.73 | 6.24 | 1.88 | 4.05 | 5.87 | 9.88 | 13.2 | 2.75 | 5.98 | 8.53 | 14.2 | 18.6 | 3.06 | 6.25 | 9.68 | 17.2 | 22.9 |
| | 16 | 0.77 | 2.17 | 3.38 | 5.90 | 1.39 | 3.58 | 5.41 | 9.41 | 12.8 | 2.18 | 5.39 | 7.94 | 13.6 | 18.0 | 2.47 | 5.67 | 9.05 | 16.5 | 22.2 |
| | 24 | | 1.48 | 2.70 | 5.24 | 0.45 | 2.68 | 4.51 | 8.50 | 12.0 | 1.08 | 4.25 | 6.79 | 12.4 | 16.8 | 1.34 | 4.55 | 7.83 | 15.2 | 20.8 |
| 14 | 12 | 0.72 | 2.11 | 3.31 | 5.83 | 1.33 | 3.48 | 5.30 | 9.27 | 12.6 | 2.06 | 5.17 | 7.71 | 13.4 | 17.8 | 2.34 | 5.41 | 8.66 | 15.9 | 21.2 |
| | 16 | 0.18 ^a | 1.64 | 2.85 | 5.36 | 0.69 | 2.86 | 4.67 | 8.63 | 12.1 | 1.33 | 4.39 | 6.92 | 12.5 | 16.9 | 1.59 | 4.66 | 7.83 | 14.9 | 20.2 |
| | 24 | | 0.74 ³ | 1.95 | 4.47 | | 1.69 ⁴ | 3.47 | 7.38 | 11.0 | | 2.93 | 5.41 | 10.9 | 15.2 | 0.16 ^a | 3.23 | 6.24 | 13.1 | 18.4 |
| 16 | 12 | 0.22 ^a | 1.65 | 2.84 | 5.33 | 0.72 ^a | 2.84 | 4.62 | 8.53 | 12.0 | 1.32 | 4.19 | 6.59 | 12.1 | 16.4 | 1.57 | 4.47 | 7.45 | 14.1 | 19.1 |
| | 16 | | 1.06 ³ | 2.24 | 4.73 | | 2.07 ⁴ | 3.83 | 7.69 | 11.2 | 0.45 ^a | 3.26 | 5.62 | 11.0 | 15.3 | 0.66 ^a | 3.56 | 6.43 | 13.0 | 17.9 |
| | 24 | | | 1.13 ³ | 3.59 ⁴ | | 0.65 ³ | 2.35 ³ | 6.11 | 9.81 | | 1.56 ³ | 3.83 ⁴ | 9.01 | 13.2 | | 1.86 ³ | 4.54 ⁴ | 10.8 | 15.6 |

40 psf Lateral Load

8" MEMBERS

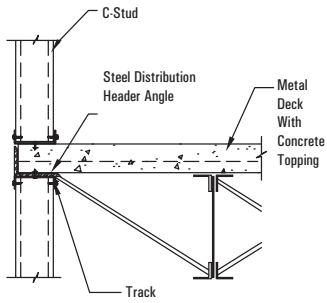
| Wall Height (ft) | Stud Spacing (in.) o.c. | 800S137 | | | | 800S162 | | | | | 800S200 | | | | | 800S250 | | | | |
|------------------|-------------------------|---------|-------------------|-------------------|-------------------|-------------------|-------------------|-------------------|------|------|-------------------|-------------------|--------|------|------|-------------------|-------------------|--------|------|------|
| | | 33 ksi | | 50 ksi | | 33 ksi | | 50 ksi | | | 33 ksi | | 50 ksi | | | 33 ksi | | 50 ksi | | |
| | | 43 | 54 | 68 | 97 | 43 | 54 | 68 | 97 | 118 | 43 | 54 | 68 | 97 | 118 | 43 | 54 | 68 | 97 | 118 |
| 8 | 12 | 1.84 | 3.08 | 4.27 | 6.78 | 2.67 | 4.80 | 6.63 | 10.7 | 13.8 | 3.68 | 6.95 | 9.51 | 15.2 | 19.7 | 4.07 | 7.38 | 11.0 | 18.9 | 24.9 |
| | 16 | 1.62 | 2.90 | 4.10 | 6.61 | 2.41 | 4.57 | 6.40 | 10.4 | 13.6 | 3.38 | 6.66 | 9.22 | 14.9 | 19.4 | 3.77 | 7.08 | 10.6 | 18.5 | 24.6 |
| | 24 | 1.19 | 2.55 | 3.76 | 6.28 | 1.91 | 4.10 | 5.94 | 10.0 | 13.3 | 2.80 | 6.08 | 8.65 | 14.4 | 18.8 | 3.15 | 6.50 | 10.0 | 17.9 | 23.9 |
| 9 | 12 | 1.66 | 2.93 | 4.13 | 6.64 | 2.46 | 4.60 | 6.43 | 10.5 | 13.7 | 3.43 | 6.70 | 9.26 | 15.0 | 19.4 | 3.81 | 7.10 | 10.6 | 18.5 | 24.5 |
| | 16 | 1.39 | 2.71 | 3.91 | 6.42 | 2.13 | 4.30 | 6.14 | 10.2 | 13.4 | 3.06 | 6.33 | 8.89 | 14.6 | 19.1 | 3.42 | 6.72 | 10.2 | 18.1 | 24.1 |
| | 24 | 0.85 | 2.25 | 3.47 | 6.00 | 1.50 | 3.71 | 5.56 | 9.59 | 12.9 | 2.32 | 5.59 | 8.16 | 13.9 | 18.3 | 2.65 | 5.98 | 9.45 | 17.2 | 23.2 |
| 10 | 12 | 1.46 | 2.76 | 3.97 | 6.48 | 2.22 | 4.38 | 6.21 | 10.2 | 13.5 | 3.15 | 6.41 | 8.97 | 14.7 | 19.1 | 3.50 | 6.77 | 10.3 | 18.0 | 24.0 |
| | 16 | 1.13 | 2.48 | 3.69 | 6.21 | 1.82 | 4.01 | 5.84 | 9.87 | 13.2 | 2.69 | 5.95 | 8.51 | 14.2 | 18.7 | 3.03 | 6.31 | 9.79 | 17.5 | 23.4 |
| | 24 | 0.47 | 1.93 | 3.15 | 5.69 | 1.05 | 3.28 | 5.13 | 9.15 | 12.6 | 1.79 | 5.04 | 7.61 | 13.3 | 17.7 | 2.09 | 5.40 | 8.81 | 16.5 | 22.4 |
| 12 | 12 | 1.01 | 2.37 | 3.58 | 6.10 | 1.67 | 3.84 | 5.67 | 9.68 | 13.0 | 2.51 | 5.72 | 8.27 | 13.9 | 18.4 | 2.81 | 6.00 | 9.41 | 16.9 | 22.6 |
| | 16 | 0.54 | 1.97 | 3.18 | 5.71 | 1.12 | 3.32 | 5.15 | 9.15 | 12.5 | 1.86 | 5.06 | 7.61 | 13.3 | 17.7 | 2.14 | 5.35 | 8.70 | 16.2 | 21.8 |
| | 24 | | 1.19 | 2.42 | 4.96 | | 2.30 | 4.13 | 8.11 | 11.7 | 0.63 | 3.78 | 6.32 | 11.9 | 16.3 | 0.87 | 4.09 | 7.32 | 14.6 | 20.2 |
| 14 | 12 | 0.49 | 1.91 | 3.11 | 5.63 | 1.05 | 3.21 | 5.03 | 8.99 | 12.4 | 1.75 | 4.83 | 7.37 | 13.0 | 17.4 | 2.02 | 5.09 | 8.30 | 15.5 | 20.8 |
| | 16 | | 1.38 | 2.59 | 5.10 | 0.34 ^a | 2.52 | 4.32 | 8.26 | 11.8 | 0.92 | 3.96 | 6.48 | 12.1 | 16.4 | 1.17 | 4.24 | 7.36 | 14.4 | 19.7 |
| | 24 | | 0.37 ³ | 1.58 ⁴ | 4.09 | | 1.21 ³ | 2.98 | 6.86 | 10.5 | | 2.34 ⁴ | 4.80 | 10.3 | 14.5 | | 2.64 | 5.59 | 12.4 | 17.6 |
| 16 | 12 | | 1.39 ⁴ | 2.58 | 5.07 | 0.38 ^a | 2.50 | 4.27 | 8.17 | 11.6 | 0.94 | 3.78 | 6.17 | 11.6 | 16.0 | 1.18 | 4.07 | 7.01 | 13.6 | 18.6 |
| | 16 | | 0.74 ³ | 1.92 ⁴ | 4.40 | | 1.65 ³ | 3.39 | 7.22 | 10.8 | | 2.76 ⁴ | 5.09 | 10.4 | 14.7 | 0.17 ^a | 3.06 | 5.87 | 12.3 | 17.2 |
| | 24 | | | 0.67 ³ | 3.12 ³ | | 1.75 ³ | 5.46 ⁴ | 9.23 | | 0.88 ³ | 3.12 ³ | 8.21 | 12.3 | | 1.18 ³ | 3.77 ⁴ | 9.9 | 14.6 | |

50 psf Lateral Load

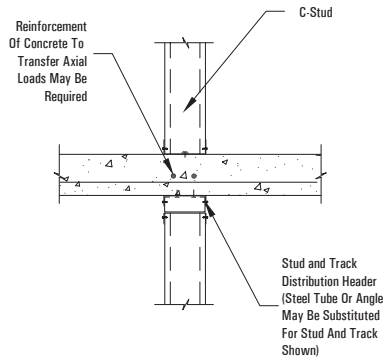
8" MEMBERS

| Wall Height (ft) | Stud Spacing (in.) o.c. | 800S137 | | | | 800S162 | | | | | 800S200 | | | | | 800S250 | | | | |
|------------------|-------------------------|---------|-------------------|-------------------|-------------------|---------|-------------------|-------------------|------|------|-------------------|-------------------|-------------------|------|------|---------|------|--------|------|------|
| | | 33 ksi | | 50 ksi | | 33 ksi | | 50 ksi | | | 33 ksi | | 50 ksi | | | 33 ksi | | 50 ksi | | |
| | | 43 | 54 | 68 | 97 | 43 | 54 | 68 | 97 | 118 | 43 | 54 | 68 | 97 | 118 | 43 | 54 | 68 | 97 | 118 |
| 8 | 12 | 1.68 | 2.95 | 4.14 | 6.65 | 2.48 | 4.62 | 6.45 | 10.5 | 13.7 | 3.46 | 6.73 | 9.29 | 15.0 | 19.5 | 3.84 | 7.16 | 10.7 | 18.6 | 24.7 |
| | 16 | 1.41 | 2.72 | 3.93 | 6.44 | 2.16 | 4.33 | 6.17 | 10.2 | 13.4 | 3.09 | 6.37 | 8.93 | 14.6 | 19.1 | 3.46 | 6.79 | 10.3 | 18.2 | 24.3 |
| | 24 | 0.87 | 2.28 | 3.50 | 6.03 | 1.53 | 3.75 | 5.60 | 9.64 | 13.0 | 2.36 | 5.64 | 8.22 | 13.9 | 18.4 | 2.70 | 6.06 | 9.55 | 17.4 | 23.4 |
| 9 | 12 | 1.46 | 2.76 | 3.96 | 6.48 | 2.21 | 4.38 | 6.21 | 10.2 | 13.5 | 3.15 | 6.42 | 8.98 | 14.7 | 19.1 | 3.51 | 6.82 | 10.3 | 18.2 | 24.2 |
| | 16 | 1.12 | 2.48 | 3.69 | 6.21 | 1.81 | 4.01 | 5.85 | 9.88 | 13.2 | 2.69 | 5.96 | 8.52 | 14.2 | 18.7 | 3.03 | 6.35 | 9.85 | 17.6 | 23.7 |
| | 24 | 0.45 | 1.92 | 3.15 | 5.69 | 1.03 | 3.28 | 5.13 | 9.16 | 12.6 | 1.77 | 5.04 | 7.62 | 13.3 | 17.8 | 2.08 | 5.44 | 8.86 | 16.6 | 22.6 |
| 10 | 12 | 1.21 | 2.55 | 3.76 | 6.28 | 1.92 | 4.10 | 5.93 | 10.0 | 13.2 | 2.81 | 6.06 | 8.62 | 14.3 | 18.8 | 3.15 | 6.43 | 9.91 | 17.6 | 23.6 |
| | 16 | 0.80 | 2.21 | 3.42 | 5.95 | 1.43 | 3.64 | 5.48 | 9.51 | 12.9 | 2.24 | 5.49 | 8.06 | 13.7 | 18.2 | 2.56 | 5.86 | 9.30 | 17.0 | 22.9 |
| | 24 | | 1.52 | 2.75 | 5.31 | 0.48 | 2.75 | 4.60 | 8.62 | 12.1 | 1.13 | 4.37 | 6.94 | 12.6 | 17.0 | 1.41 | 4.74 | 8.09 | 15.7 | 21.5 |
| 12 | 12 | 0.65 | 2.07 | 3.28 | 5.81 | 1.26 | 3.45 | 5.28 | 9.28 | 12.7 | 2.02 | 5.22 | 7.77 | 13.4 | 17.8 | 2.31 | 5.51 | 8.87 | 16.4 | 22.0 |
| | 16 | | 1.58 | 2.80 | 5.33 | 0.58 | 2.80 | 4.63 | 8.62 | 12.1 | 1.24 | 4.41 | 6.96 | 12.6 | 17.0 | 1.50 | 4.71 | 8.00 | 15.4 | 21.0 |
| | 24 | | 0.63 ^a | 1.86 | 4.41 | | 1.56 | 3.39 | 7.35 | 11.0 | | 2.86 | 5.38 | 11.0 | 15.3 | | 3.18 | 6.31 | 13.5 | 19.1 |
| 14 | 12 | | 1.51 | 2.72 | 5.23 | 0.51 | 2.69 | 4.49 | 8.44 | 11.9 | 1.13 | 4.18 | 6.70 | 12.3 | 16.7 | 1.37 | 4.45 | 7.59 | 14.7 | 19.9 |
| | 16 | | 0.87 ^a | 2.07 | 4.59 | | 1.85 ^a | 3.64 | 7.55 | 11.2 | 0.14 ^a | 3.13 | 5.62 | 11.2 | 15.5 | 0.35 | 3.42 | 6.46 | 13.4 | 18.6 |
| | 24 | | | 0.85 ³ | 3.36 ⁴ | | 0.28 ³ | 2.03 ³ | 5.86 | 9.66 | | 1.20 ³ | 3.61 ^a | 9.0 | 1 | | | | | |

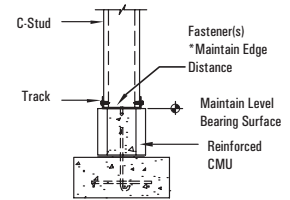
COMBINED AXIAL AND LATERAL LOAD ILLUSTRATIONS



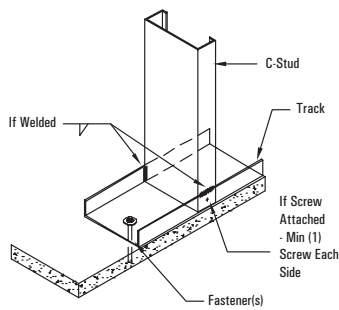
EXTERIOR WALL



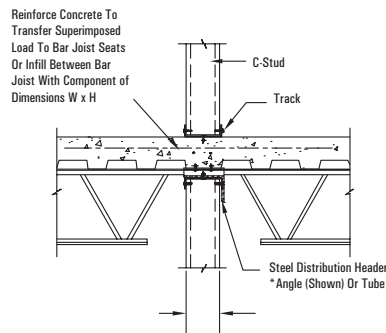
INTERIOR WALL



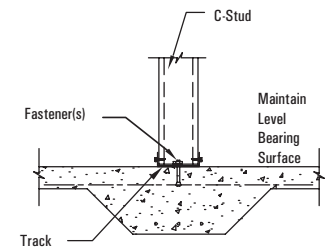
EXTERIOR FOUNDATION



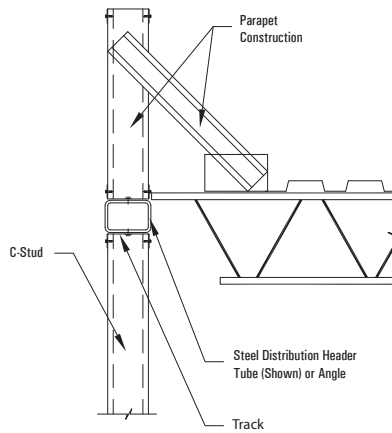
STUD TO TRACK



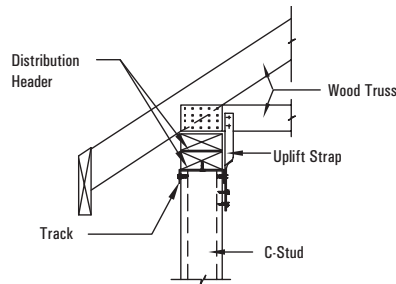
INTERIOR WALL W/ BAR JOIST



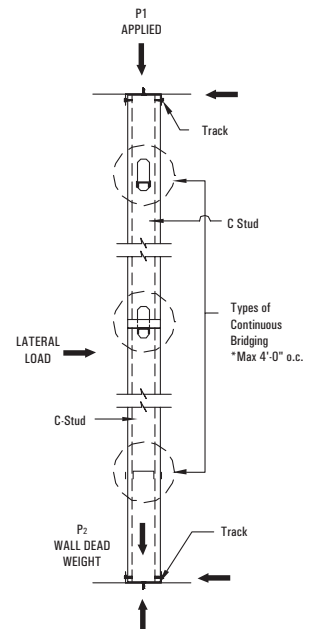
INTERIOR FOOTING



EXTERIOR WALL WITH BAR JOIST



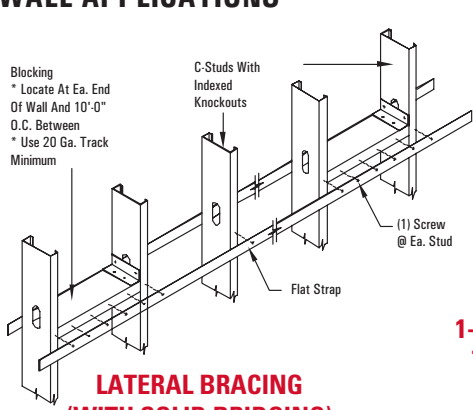
WOOD TRUSS @ EXTERIOR WALL



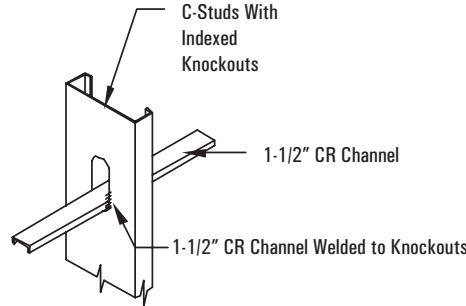
BEARING WALL SCHEMATIC

P DESIGN = P1 + P2

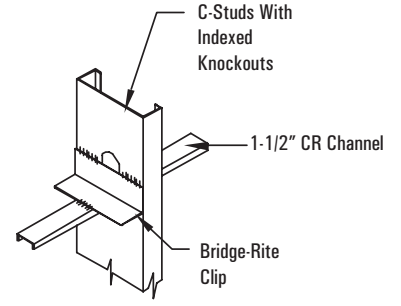
WALL APPLICATIONS



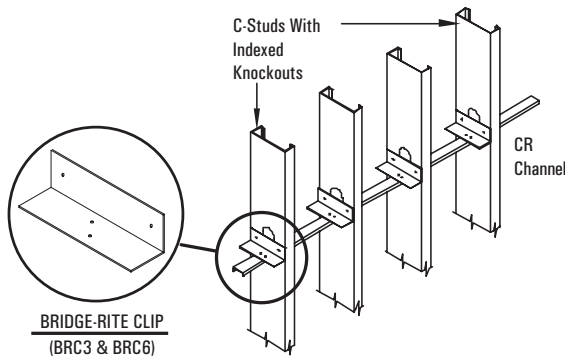
LATERAL BRACING (WITH SOLID BRIDGING)



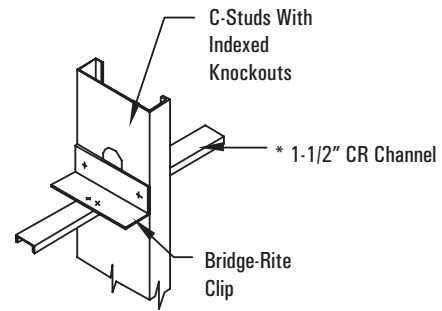
1-1/2" CR CHANNEL WELDED TO INDEXED KNOCKOUTS



1-1/2" CR CHANNEL THROUGH INDEXED KNOCKOUTS (WITH BRIDGE-RITE ANGLE CLIPS WELDED)



LATERAL BRACING (WITH CR CHANNEL)

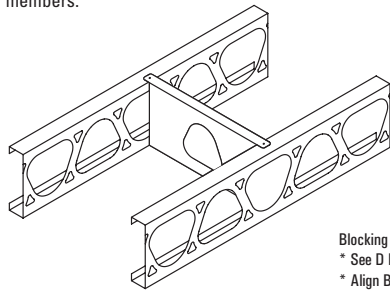


1-1/2" CR CHANNEL THROUGH INDEXED KNOCKOUTS (WITH BRIDGE-RITE ANGLE CLIPS WELDED)

FLOOR & ROOF APPLICATIONS

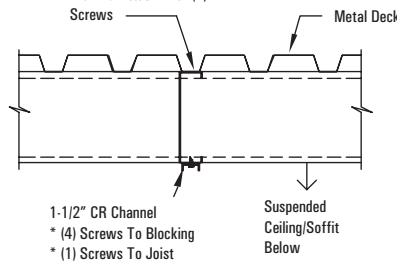
SOLID BLOCKING (JB)

Joist Blocking is pre-cut to fit securely between joists to prevent joist rotation. Joist Blocking is a one piece system in lieu of the typical 3 piece detail offering an economical alternative to installing conventional clips and solid web members.



MATERIAL: 16 ga (54 mil) 50ksi
FINISH: Galvanized -G90

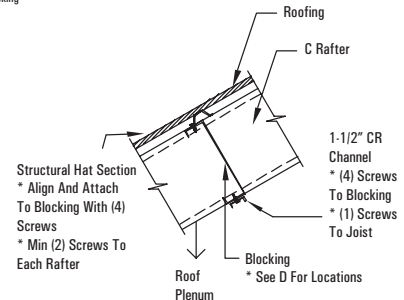
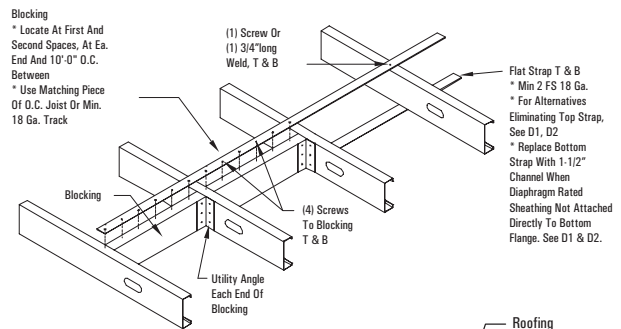
Blocking
* See D For Locations
* Align Blocking With Deck Rib And Attach With (4) Screws



D1-SUBSTITUTE METAL DECK

FLAT STRAP & BLOCKING (D1 & D2)

Blocking
• Locate at first and second spaces at ea. end and 10'-0" o.c.
• Use Matching Piece of o.c. Joist or min. 18 Ga. Track

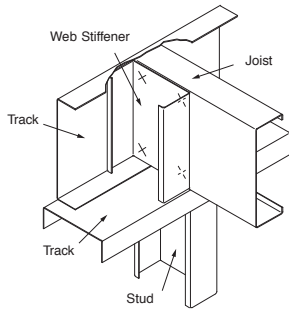


D2-SUBSTITUTE CHANNEL

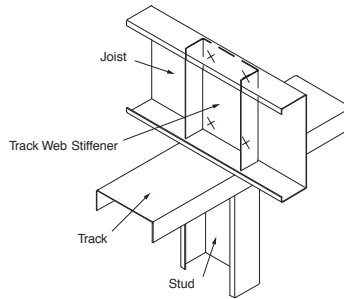
FLOOR JOIST ILLUSTRATIONS

NOTES:

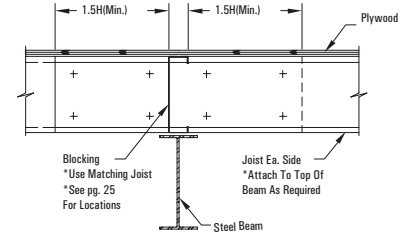
- Spans are based on continuous support of the compression flange over the full length of the joist and the tension flange is laterally braced at maximum spacing of 8'-0".
- For two equal spans, the listed span is the distance from either end to the center support, with the joist continuous over the center support.
- Joists must be braced against rotation at all supports.
- End shear and web crippling capacity have not been reduced for punchouts.
- End web crippling check is based on a 3.5" bearing length.
Where allowable spans are followed by "e", web stiffeners are required at end supports.
- Interior support not checked for combined bending and web crippling. Web stiffeners are required at interior supports.
- Shear capacity at interior support has been reduced for the presence of punchouts adjacent to the supports.
Combined bending and shear check is based on unreinforced web based on AISI S100.
- Total load deflection is limited to L/240. Live load deflection limit is as noted.
- Alternate span live loading has been considered for two equal span conditions.
- Bearing stiffeners must be designed in accordance with AISI S100 section F5, G4.
- See General Notes on Page 6.



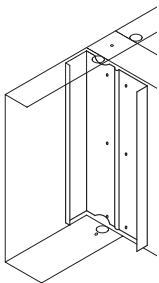
**WEB STIFFENER:
STUD SEGMENT ON BACK OF JOIST**



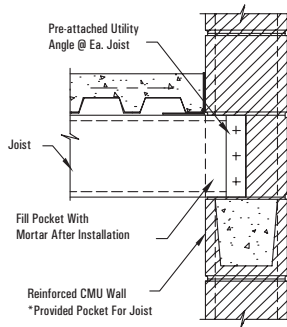
**WEB STIFFENER:
TRACK INSIDE JOIST**



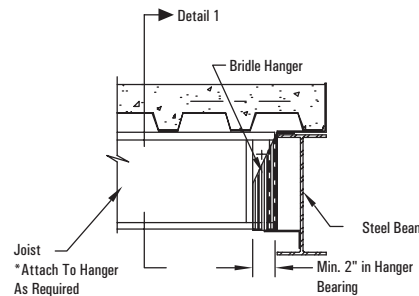
LAPPED JOIST @ INTERIOR SUPPORT



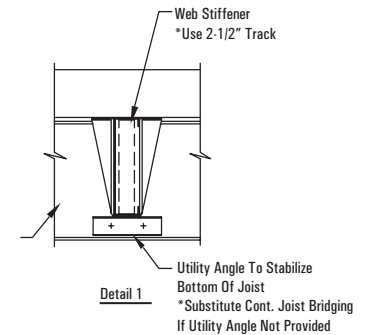
WEB STIFFENER: (JS)



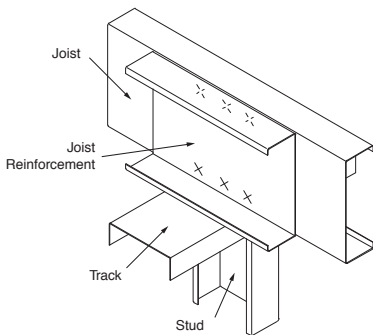
JOIST @ REINFORCED CMU WALL



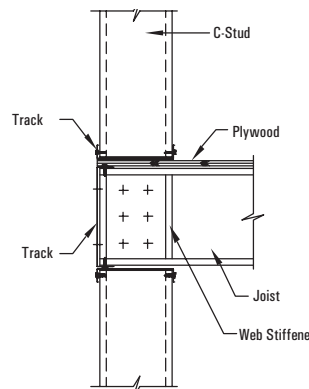
JOIST @ STEEL BEAM W/BRIDLE HANGER



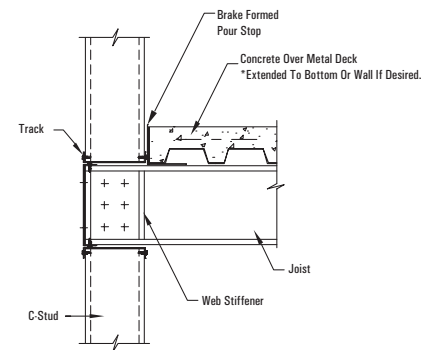
JOIST @ EXTERIOR BEARING WALL



**WEB STIFFENER: DOUBLE WEB
(USE BACK-TO-BACK WEB CRIPPLING TABLES)**



JOIST @ EXTERIOR BEARING WALL



JOIST @ EXTERIOR BEARING WALL

BRIDGING RECOMMENDATIONS:

Bracing components shall be designed based on AISI S100 (C2) and the minimum number of rows required as shown in table. Additional bridging rows may be required by design. Check fire-rated assemblies for additional requirements.

| SPAN (ft) | MINIMUM NUMBER OF ROWS |
|----------------|------------------------|
| Up To 16 ft | 1 at Mid-span |
| 16 ft To 24 ft | 2 Rows at 1/3 Points |
| 24 ft To 32 ft | 3 Rows at 1/4 Points |

FLOOR JOIST SPANS

10 psf Dead Load and 20 psf Live Load

| MEMBER | F _y (ksi) | LIVE LOAD DEFLECTION L/360 | | | | | | LIVE LOAD DEFLECTION L/480 | | | | | |
|------------------|-------------------------|----------------------------|---------|---------|--------------------------|---------|---------|----------------------------|---------|---------|--------------------------|---------|---------|
| | | SINGLE SPAN | | | TWO EQUAL SPANS | | | SINGLE SPAN | | | TWO EQUAL SPANS | | |
| | | JOIST SPACING (in.) o.c. | | | JOIST SPACING (in.) o.c. | | | JOIST SPACING (in.) o.c. | | | JOIST SPACING (in.) o.c. | | |
| | | 12 | 16 | 24 | 12 | 16 | 24 | 12 | 16 | 24 | 12 | 16 | 24 |
| 600S137-33 | 33 | 13' 6" | 11' 8" | 9' 6" | 13' 6" | 11' 7" | 9' 2" | 13' 6" | 11' 8" | 9' 6" | 13' 6" | 11' 7" | 9' 2" |
| 600S137-43 | 33 | 16' 2" | 14' 0" | 11' 6" | 16' 2" | 14' 0" | 11' 6" | 15' 0" | 13' 7" | 11' 6" | 16' 2" | 14' 0" | 11' 6" |
| 600S137-43 (50) | 50 | 16' 4" | 14' 10" | 13' 0" | 18' 4" | 16' 1" | 13' 1" | 14' 10" | 13' 6" | 11' 9" | 16' 8" | 15' 2" | 13' 1" |
| 600S137-54 | 50 | 17' 8" | 16' 0" | 14' 0" | 19' 9" | 18' 0" | 15' 4" | 16' 0" | 14' 7" | 12' 8" | 18' 0" | 16' 4" | 14' 3" |
| 600S137-68 | 50 | 18' 10" | 17' 2" | 15' 0" | 21' 2" | 19' 3" | 16' 9" | 17' 2" | 15' 7" | 13' 7" | 19' 3" | 17' 6" | 15' 3" |
| 600S137-97 | 50 | 20' 10" | 19' 0" | 16' 7" | 23' 6" | 21' 3" | 18' 7" | 19' 0" | 17' 3" | 15' 1" | 21' 3" | 19' 4" | 16' 10" |
| 600S162-33 | 33 | 14' 6" | 12' 7" | 10' 3" | 14' 6" | 12' 7" | 10' 1" | 14' 3" | 12' 7" | 10' 3" | 14' 6" | 12' 7" | 10' 1" |
| 600S162-43 | 33 | 17' 2" | 15' 6" | 12' 8" | 17' 10" | 15' 6" | 12' 8" | 15' 7" | 14' 2" | 12' 4" | 17' 6" | 15' 6" | 12' 8" |
| 600S162-43 (50) | 50 | 17' 2" | 15' 7" | 13' 7" | 19' 3" | 17' 2" | 14' 1" | 15' 7" | 14' 2" | 12' 4" | 17' 6" | 15' 10" | 13' 10" |
| 600S162-54 | 50 | 18' 4" | 16' 8" | 14' 7" | 20' 8" | 18' 9" | 16' 4" | 16' 8" | 15' 2" | 13' 3" | 18' 9" | 17' 1" | 14' 10" |
| 600S162-68 | 50 | 19' 8" | 17' 10" | 15' 8" | 22' 2" | 20' 1" | 17' 7" | 17' 10" | 16' 3" | 14' 2" | 20' 1" | 18' 3" | 16' 0" |
| 600S162-97 | 50 | 21' 10" | 19' 10" | 17' 4" | 24' 7" | 22' 3" | 19' 6" | 19' 10" | 18' 1" | 15' 9" | 22' 3" | 20' 3" | 17' 8" |
| 600S162-118 | 50 | 23' 1" | 21' 0" | 18' 3" | 25' 10" | 23' 7" | 20' 7" | 21' 0" | 19' 1" | 16' 8" | 23' 7" | 21' 4" | 18' 8" |
| 600S200-33 | 33 | 15' 6" | 13' 4" | 10' 10" | 15' 6" | 13' 2" | 10' 4" | 15' 0" | 13' 4" | 10' 10" | 15' 6" | 13' 2" | 10' 4" |
| 600S200-43 | 33 | 18' 0" | 16' 0" | 13' 1" | 18' 6" | 16' 0" | 13' 1" | 16' 4" | 14' 10" | 13' 0" | 18' 4" | 16' 0" | 13' 1" |
| 600S200-43 (50) | 50 | 18' 0" | 16' 4" | 14' 3" | 20' 2" | 18' 3" | 15' 0" | 16' 4" | 14' 10" | 13' 0" | 18' 4" | 16' 8" | 14' 7" |
| 600S200-54 | 50 | 19' 4" | 17' 7" | 15' 4" | 21' 8" | 19' 8" | 17' 2" | 17' 7" | 16' 0" | 14' 0" | 19' 8" | 17' 10" | 15' 8" |
| 600S200-68 | 50 | 20' 9" | 18' 10" | 16' 6" | 23' 3" | 21' 2" | 18' 6" | 18' 10" | 17' 1" | 15' 2" | 21' 2" | 19' 2" | 16' 9" |
| 600S200-97 | 50 | 23' 1" | 21' 0" | 18' 3" | 25' 10" | 23' 6" | 20' 6" | 21' 0" | 19' 0" | 16' 7" | 23' 6" | 21' 4" | 18' 8" |
| 600S200-118 | 50 | 24' 4" | 22' 2" | 19' 4" | 27' 4" | 24' 10" | 21' 8" | 22' 2" | 20' 1" | 17' 7" | 24' 10" | 22' 7" | 19' 8" |
| 600S250-43 | 33 | 18' 10" | 16' 4" | 13' 4" | 19' 0" | 16' 4" | 13' 4" | 17' 2" | 15' 7" | 13' 4" | 19' 0" | 16' 4" | 13' 4" |
| 600S250-43 (50) | 50 | 18' 7" | 16' 10" | 14' 9" | 20' 10" | 18' 8" | 15' 3" | 16' 10" | 15' 4" | 13' 4" | 19' 0" | 17' 3" | 15' 1" |
| 600S250-54 | 50 | 20' 2" | 18' 3" | 16' 0" | 22' 8" | 20' 7" | 17' 10" | 18' 3" | 16' 8" | 14' 7" | 20' 7" | 18' 8" | 16' 3" |
| 600S250-68 | 50 | 21' 9" | 19' 9" | 17' 3" | 24' 4" | 22' 2" | 19' 4" | 19' 9" | 18' 0" | 15' 8" | 22' 2" | 20' 2" | 17' 7" |
| 600S250-97 | 50 | 24' 2" | 22' 0" | 19' 2" | 27' 2" | 24' 8" | 21' 7" | 22' 0" | 20' 0" | 17' 6" | 24' 8" | 22' 4" | 19' 7" |
| 600S250-118 | 50 | 25' 7" | 23' 3" | 20' 4" | 28' 9" | 26' 1" | 22' 9" | 23' 3" | 21' 2" | 18' 6" | 26' 1" | 23' 9" | 20' 9" |
| 600S300-54 | 50 | 20' 7" | 18' 8" | 16' 4" | 23' 2" | 21' 0" | 18' 1" | 18' 8" | 17' 0" | 14' 10" | 21' 0" | 19' 1" | 16' 8" |
| 600S300-68 | 50 | 22' 6" | 20' 4" | 17' 9" | 25' 2" | 22' 10" | 20' 0" | 20' 4" | 18' 7" | 16' 2" | 22' 10" | 20' 9" | 18' 2" |
| 600S300-97 | 50 | 25' 2" | 22' 10" | 20' 0" | 28' 3" | 25' 8" | 22' 4" | 22' 10" | 20' 9" | 18' 2" | 25' 8" | 23' 3" | 20' 4" |
| 600S300-118 | 50 | 26' 9" | 24' 3" | 21' 3" | 30' 1" | 27' 3" | 23' 10" | 24' 3" | 22' 1" | 19' 3" | 27' 3" | 24' 9" | 21' 8" |
| 800S137-33 | 33 | 15' 4" | 13' 4" | 10' 10" | 14' 10" | 12' 4" | 9' 6" | 15' 4" | 13' 4" | 10' 10" | 14' 10" | 12' 4" | 9' 6" |
| 800S137-43 | 33 | 18' 8" | 16' 2" | 13' 2" | 18' 8" | 16' 2" | 13' 2" | 18' 8" | 16' 2" | 13' 2" | 18' 8" | 16' 2" | 13' 2" |
| 800S137-43 (50) | 50 | 20' 4" | 18' 6" | 15' 1" | 21' 3" | 18' 6" | 15' 0" | 18' 7" | 16' 10" | 14' 8" | 20' 10" | 18' 6" | 15' 0" |
| 800S137-54 | 50 | 22' 2" | 20' 1" | 17' 7" | 24' 10" | 21' 9" | 17' 9" | 20' 1" | 18' 3" | 16' 0" | 22' 7" | 20' 6" | 17' 9" |
| 800S137-68 | 50 | 24' 0" | 21' 9" | 19' 0" | 26' 10" | 24' 4" | 21' 0" | 21' 9" | 19' 9" | 17' 3" | 24' 4" | 22' 6" | 19' 4" |
| 800S137-97 | 50 | 26' 7" | 24' 2" | 21' 1" | 29' 9" | 27' 1" | 23' 8" | 24' 2" | 21' 10" | 19' 2" | 27' 1" | 24' 7" | 21' 6" |
| 800S162-33 | 33 | 16' 8" | 14' 6" | 11' 9" | 15' 7" | 13' 0" | 9' 10" | 16' 8" | 14' 6" | 11' 9" | 15' 7" | 13' 0" | 9' 10" |
| 800S162-43 | 33 | 20' 2" | 17' 6" | 14' 3" | 20' 2" | 17' 6" | 13' 10" | 19' 6" | 17' 6" | 14' 3" | 20' 2" | 17' 6" | 13' 10" |
| 800S162-43 (50) | 50 | 21' 3" | 19' 3" | 16' 3" | 22' 10" | 19' 7" | 15' 6" | 19' 3" | 17' 7" | 15' 4" | 21' 8" | 19' 7" | 15' 6" |
| 800S162-54 | 50 | 23' 1" | 20' 10" | 18' 3" | 25' 10" | 23' 4" | 19' 1" | 20' 10" | 19' 0" | 16' 7" | 23' 6" | 21' 4" | 18' 8" |
| 800S162-68 | 50 | 24' 10" | 22' 7" | 19' 9" | 28' 0" | 25' 4" | 22' 2" | 22' 7" | 20' 7" | 18' 0" | 25' 4" | 23' 1" | 20' 2" |
| 800S162-97 | 50 | 27' 8" | 25' 2" | 22' 0" | 31' 1" | 28' 2" | 24' 8" | 25' 2" | 22' 10" | 20' 0" | 28' 2" | 25' 8" | 22' 4" |
| 800S162-118 | 50 | 29' 3" | 26' 7" | 23' 3" | 32' 10" | 29' 10" | 26' 1" | 26' 7" | 24' 2" | 21' 1" | 29' 10" | 27' 1" | 23' 8" |
| 800S200-43 | 33 | 21' 7" | 18' 8" | 15' 3" | 21' 7" | 18' 8" | 15' 3" | 20' 7" | 18' 8" | 15' 3" | 21' 7" | 18' 8" | 15' 3" |
| 800S200-43 (50) | 50 | 22' 7" | 20' 7" | 17' 4" | 24' 7" | 21' 3" | 16' 9" | 20' 7" | 18' 8" | 16' 3" | 23' 1" | 21' 0" | 16' 9" |
| 800S200-54 | 50 | 24' 3" | 22' 1" | 19' 3" | 27' 3" | 24' 9" | 20' 4" | 22' 1" | 20' 1" | 17' 6" | 24' 9" | 22' 6" | 19' 8" |
| 800S200-68 | 50 | 26' 1" | 23' 8" | 20' 8" | 29' 3" | 26' 7" | 23' 3" | 23' 8" | 21' 6" | 18' 9" | 26' 7" | 24' 2" | 21' 1" |
| 800S200-97 | 50 | 29' 0" | 26' 4" | 23' 0" | 32' 7" | 29' 7" | 25' 10" | 26' 4" | 24' 0" | 20' 10" | 29' 7" | 26' 10" | 23' 6" |
| 800S200-118 | 50 | 30' 9" | 27' 10" | 24' 4" | 34' 6" | 31' 4" | 27' 4" | 27' 10" | 25' 4" | 22' 2" | 31' 4" | 28' 6" | 24' 10" |
| 800S250-43 | 33 | 22' 1" | 19' 2" | 15' 8" | 22' 1" | 19' 2" | 15' 6" | 21' 4" | 19' 2" | 15' 8" | 22' 1" | 19' 2" | 15' 6" |
| 800S250-43 (50) | 50 | 23' 3" | 21' 2" | 17' 9" | 25' 2" | 21' 6" | 16' 10" | 21' 2" | 19' 2" | 16' 9" | 23' 9" | 21' 6" | 16' 10" |
| 800S250-54 | 50 | 25' 2" | 22' 10" | 20' 0" | 28' 3" | 25' 6" | 20' 10" | 22' 10" | 20' 9" | 18' 2" | 25' 8" | 23' 4" | 20' 4" |
| 800S250-68 | 50 | 27' 3" | 24' 9" | 21' 7" | 30' 7" | 27' 9" | 24' 3" | 24' 9" | 22' 6" | 19' 8" | 27' 9" | 25' 3" | 22' 1" |
| 800S250-97 | 50 | 30' 3" | 27' 7" | 24' 1" | 34' 1" | 30' 10" | 27' 0" | 27' 7" | 25' 1" | 21' 10" | 30' 10" | 28' 1" | 24' 7" |
| 800S250-118 | 50 | 32' 2" | 29' 2" | 25' 6" | 36' 1" | 32' 9" | 28' 8" | 29' 2" | 26' 7" | 23' 2" | 32' 9" | 29' 9" | 26' 0" |
| 800S300-54 | 50 | 25' 8" | 23' 4" | 20' 4" | 28' 10" | 25' 10" | 21' 1" | 23' 4" | 21' 2" | 18' 7" | 26' 2" | 23' 9" | 20' 9" |
| 800S300-68 | 50 | 28' 0" | 25' 6" | 22' 3" | 31' 6" | 28' 7" | 24' 9" | 25' 6" | 23' 1" | 20' 2" | 28' 7" | 26' 0" | 22' 8" |
| 800S300-97 | 50 | 31' 6" | 28' 7" | 25' 0" | 35' 3" | 32' 1" | 28' 0" | 28' 7" | 26' 0" | 22' 8" | 32' 1" | 29' 2" | 25' 6" |
| 800S300-118 | 50 | 33' 6" | 30' 4" | 26' 7" | 37' 7" | 34' 1" | 29' 9" | 30' 4" | 27' 7" | 24' 1" | 34' 1" | 31' 0" | 27' 1" |
| 1000S162-33 | 33 | 18' 4" | 15' 10" | 12' 7" | 15' 8" | 12' 8" | 9' 1" | 18' 4" | 15' 10" | 12' 7" | 15' 8" | 12' 8" | 9' 1" |
| 1000S162-43 | 33 | 22' 4" | 19' 4" | 15' 9" | 22' 3" | 18' 9" | 14' 8" | 22' 4" | 19' 4" | 15' 9" | 22' 3" | 18' 9" | 14' 8" |
| 1000S162-43 (50) | 50 | 25' 2" | 22' 0" | 17' 10" | 24' 8" | 20' 8" | 16' 0" | 22' 10" | 20' 9" | 17' 10" | 24' 8" | 20' 8" | 16' 0" |
| 1000S162-54 | 50 | 27' 4" | 24' 10" | 21' 2" | 30' 0" | 25' 10" | 21' 2" | 24' 10" | 22' 7" | 19' 9" | 27' 4" | 25' 4" | 22' 2" |
| 1000S162-68 | 50 | 29' 8" | 27' 0" | 23' 7" | 33' 4" | 30' 3" | 25' 0" | 27' 0" | 24' 6" | 21' 4" | 30' 3" | 27' 6" | 24' 1" |
| 1000S162-97 | 50 | 33' 3" | 30' 3" | 26' 6" | 37' 4" | 34' 0" | 29' 8" | 30' 3" | 27' 6" | 24' 0" | 34' 0" | 30' 10" | 27' 0" |
| 1000S162-118 | 50 | 35' 3" | 32' 1" | 28' 0" | 39' 8" | 36' 0" | 31' 6" | 32' 1" | 29' 2" | 25' 6" | 36' 0" | 32' 8" | 28' 7" |
| 1000S200-43 | 33 | 24' 1" | 20' 10" | 17' 0" | 23' 4" | 19' 9" | 15' 3" | 24' 1" | 20' 10" | 17' 0" | 23' 4" | 19' 9" | 15' 3" |
| 1000S200-43 (50) | 50 | 26' 4" | 23' 8" | 19' 4" | 26' 2" | 21' 10" | 16' 8" | 24' 0" | 21' 9" | 19' 0" | 26' 2" | 21' 10" | 16' 8" |
| 1000S200-54 | 50 | 28' 7" | 26' 0" | 22' 8" | 32' 1" | 27' 9" | 22' 2" | 28' 7" | 26' 0" | 23' 7" | 29' 2" | 26' 6" | 22' 2" |
| 1000S200-68 | 50 | 31' 0" | 28' 2" | 24' 7" | 34' 10" | 31' 8" | 26' 9" | 28' 2" | 25' 7" | 22' 4" | 31' 8" | 28' 9" | 25' 1" |
| 1000S200-97 | 50 | 34' 9" | 31' 7" | 27' 7" | 39' 1" | 35' 6" | 31' 0" | 31' 7" | 28' 9" | 25' 1" | 35' 6" | 32' 3" | 28' 2" |
| 1000S200-118 | 50 | 36' 10" | 33' 7" | 29' 3" | 41' 6" | 37' 8" | 32' 10" | 33' 7" | 30' 6" | 26' 7" | 37' 8" | 34' 2" | 29' 10" |

NOTE: See page 43 for Table Notes.

FLOOR JOIST SPANS

10 psf Dead Load and 20 psf Live Load

| MEMBER | F _y (ksi) | LIVE LOAD DEFLECTION L/360 | | | | | | LIVE LOAD DEFLECTION L/480 | | | | | |
|------------------|-------------------------|----------------------------|---------|---------|--------------------------|---------|---------|----------------------------|---------|---------|--------------------------|---------|---------|
| | | SINGLE SPAN | | | TWO EQUAL SPANS | | | SINGLE SPAN | | | TWO EQUAL SPANS | | |
| | | JOIST SPACING (in.) o.c. | | | JOIST SPACING (in.) o.c. | | | JOIST SPACING (in.) o.c. | | | JOIST SPACING (in.) o.c. | | |
| | | 12 | 16 | 24 | 12 | 16 | 24 | 12 | 16 | 24 | 12 | 16 | 24 |
| 1000S250-43 | 33 | 24' 9" | 21' 6" | 17' 6" | 24' 4" | 20' 6" | 15' 9" | 24' 9" | 21' 6" | 17' 6" | 24' 4" | 20' 6" | 15' 9" |
| 1000S250-43 (50) | 50 | 27' 6" | 24' 3" | 19' 10" | 26' 8" | 22' 3" | 17' 0" | 25' 0" | 22' 8" | 19' 9" | 26' 8" | 22' 3" | 17' 0" |
| 1000S250-54 | 50 | 30' 1" | 27' 4" | 23' 4" | 33' 1" | 28' 7" | 23' 1" | 27' 4" | 24' 10" | 21' 8" | 30' 8" | 27' 10" | 23' 1" |
| 1000S250-68 | 50 | 32' 6" | 29' 7" | 25' 9" | 36' 6" | 33' 2" | 27' 6" | 29' 7" | 26' 10" | 23' 6" | 33' 2" | 30' 1" | 26' 3" |
| 1000S250-97 | 50 | 36' 3" | 32' 10" | 28' 9" | 40' 8" | 37' 0" | 32' 3" | 32' 10" | 29' 10" | 26' 2" | 37' 0" | 33' 7" | 29' 4" |
| 1000S250-118 | 50 | 38' 6" | 35' 0" | 30' 6" | 43' 2" | 39' 2" | 34' 3" | 35' 0" | 31' 9" | 27' 9" | 39' 2" | 35' 8" | 31' 2" |
| 1000S300-54 | 50 | 30' 8" | 27' 10" | 23' 8" | 33' 7" | 29' 1" | 23' 2" | 27' 10" | 25' 3" | 22' 1" | 31' 3" | 28' 4" | 23' 2" |
| 1000S300-68 | 50 | 33' 4" | 30' 3" | 26' 6" | 37' 6" | 34' 0" | 28' 0" | 30' 3" | 27' 7" | 24' 1" | 34' 0" | 30' 10" | 27' 0" |
| 1000S300-97 | 50 | 37' 6" | 34' 1" | 29' 9" | 42' 1" | 38' 2" | 33' 4" | 34' 1" | 30' 10" | 27' 0" | 38' 2" | 34' 8" | 30' 3" |
| 1000S300-118 | 50 | 39' 10" | 36' 3" | 31' 8" | 44' 9" | 40' 8" | 35' 7" | 36' 3" | 33' 0" | 28' 9" | 40' 8" | 37' 0" | 32' 3" |
| 1000S350-54 | 50 | 32' 4" | 29' 4" | 25' 8" | 36' 3" | 31' 10" | 25' 2" | 29' 4" | 26' 8" | 23' 3" | 33' 0" | 30' 0" | 25' 2" |
| 1000S350-68 | 50 | 35' 3" | 32' 1" | 28' 0" | 39' 7" | 36' 0" | 31' 0" | 32' 1" | 29' 1" | 25' 6" | 36' 0" | 32' 8" | 28' 7" |
| 1000S350-97 | 50 | 39' 6" | 35' 10" | 31' 3" | 44' 3" | 40' 3" | 35' 2" | 35' 10" | 32' 7" | 28' 6" | 40' 3" | 36' 7" | 32' 0" |
| 1000S350-118 | 50 | 41' 10" | 38' 1" | 33' 3" | 47' 1" | 42' 9" | 37' 4" | 38' 1" | 34' 7" | 30' 2" | 42' 9" | 38' 10" | 34' 0" |
| 1200S162-43 | 33 | 24' 0" | 20' 9" | 17' 0" | 23' 3" | 19' 3" | 14' 7" | 24' 0" | 20' 9" | 17' 0" | 23' 3" | 19' 3" | 14' 7" |
| 1200S162-43 (50) | 50 | 27' 1" | 23' 6" | 19' 2" | 25' 4" | 20' 10" | 15' 6" | 26' 3" | 23' 6" | 19' 2" | 25' 4" | 20' 10" | 15' 6" |
| 1200S162-54 | 50 | 31' 6" | 27' 10" | 22' 9" | 32' 2" | 27' 10" | 22' 4" | 28' 7" | 26' 0" | 22' 8" | 32' 1" | 27' 10" | 22' 4" |
| 1200S162-68 | 50 | 34' 3" | 31' 2" | 27' 1" | 38' 3" | 33' 2" | 27' 1" | 31' 2" | 28' 3" | 24' 8" | 35' 0" | 31' 9" | 27' 1" |
| 1200S162-97 | 50 | 38' 9" | 35' 3" | 30' 9" | 43' 7" | 39' 7" | 34' 7" | 35' 3" | 32' 1" | 28' 0" | 39' 7" | 36' 0" | 31' 4" |
| 1200S162-118 | 50 | 41' 3" | 37' 6" | 32' 8" | 46' 3" | 42' 1" | 36' 9" | 37' 6" | 34' 1" | 29' 3" | 42' 1" | 38' 2" | 33' 4" |
| 1200S200-54 | 50 | 32' 10" | 29' 10" | 24' 8" | 34' 9" | 29' 6" | 23' 1" | 29' 10" | 27' 1" | 23' 8" | 33' 6" | 29' 6" | 23' 1" |
| 1200S200-68 | 50 | 35' 8" | 32' 6" | 28' 4" | 40' 1" | 35' 8" | 29' 2" | 32' 6" | 29' 6" | 25' 9" | 36' 6" | 33' 1" | 28' 10" |
| 1200S200-97 | 50 | 40' 4" | 36' 8" | 32' 1" | 45' 4" | 41' 3" | 36' 0" | 36' 8" | 33' 4" | 29' 2" | 41' 3" | 37' 6" | 32' 8" |
| 1200S200-118 | 50 | 43' 0" | 39' 1" | 34' 1" | 48' 3" | 43' 9" | 38' 3" | 39' 1" | 35' 6" | 31' 0" | 43' 9" | 39' 9" | 34' 9" |
| 1200S250-54 | 50 | 34' 3" | 31' 1" | 25' 6" | 35' 4" | 30' 0" | 23' 6" | 31' 1" | 28' 3" | 24' 8" | 35' 0" | 30' 0" | 23' 6" |
| 1200S250-68 | 50 | 37' 3" | 33' 9" | 29' 7" | 41' 9" | 36' 10" | 30' 1" | 33' 9" | 30' 8" | 26' 10" | 38' 0" | 34' 6" | 30' 1" |
| 1200S250-97 | 50 | 42' 0" | 38' 2" | 33' 4" | 47' 2" | 42' 10" | 37' 6" | 38' 2" | 34' 8" | 30' 3" | 42' 10" | 39' 0" | 34' 0" |
| 1200S250-118 | 50 | 44' 7" | 40' 7" | 35' 4" | 50' 1" | 45' 6" | 39' 9" | 40' 7" | 36' 10" | 32' 2" | 45' 6" | 41' 4" | 36' 1" |
| 1200S300-54 | 50 | 35' 6" | 31' 9" | 26' 0" | 36' 3" | 30' 8" | 23' 10" | 32' 2" | 29' 3" | 25' 7" | 36' 2" | 30' 8" | 23' 10" |
| 1200S300-68 | 50 | 38' 8" | 35' 2" | 30' 8" | 43' 4" | 37' 7" | 30' 8" | 35' 2" | 31' 10" | 27' 10" | 39' 6" | 35' 10" | 30' 8" |
| 1200S300-97 | 50 | 43' 6" | 39' 6" | 34' 6" | 48' 9" | 44' 3" | 38' 8" | 39' 6" | 35' 10" | 31' 4" | 44' 3" | 40' 3" | 35' 2" |
| 1200S300-118 | 50 | 46' 2" | 42' 0" | 36' 8" | 51' 10" | 47' 1" | 41' 2" | 42' 0" | 38' 1" | 33' 3" | 47' 1" | 42' 9" | 37' 4" |
| 1200S350-54 | 50 | 37' 3" | 33' 10" | 29' 0" | 39' 6" | 33' 3" | 25' 8" | 33' 10" | 30' 9" | 26' 10" | 38' 1" | 33' 3" | 25' 8" |
| 1200S350-68 | 50 | 40' 9" | 37' 0" | 32' 4" | 45' 9" | 41' 7" | 34' 1" | 37' 0" | 33' 7" | 29' 4" | 41' 7" | 37' 9" | 33' 0" |
| 1200S350-97 | 50 | 45' 7" | 41' 4" | 36' 2" | 51' 1" | 46' 6" | 40' 7" | 41' 4" | 37' 7" | 32' 10" | 46' 6" | 42' 2" | 36' 10" |
| 1200S350-118 | 50 | 48' 4" | 44' 0" | 38' 4" | 54' 4" | 49' 4" | 43' 2" | 44' 0" | 40' 0" | 34' 10" | 49' 4" | 44' 10" | 39' 2" |
| 1400S162-54 | 50 | 34' 0" | 29' 6" | 24' 1" | 34' 0" | 29' 6" | 22' 8" | 32' 2" | 29' 3" | 24' 1" | 34' 0" | 29' 6" | 22' 8" |
| 1400S162-68 | 50 | 38' 8" | 35' 1" | 28' 9" | 40' 8" | 35' 3" | 28' 9" | 35' 1" | 31' 10" | 27' 10" | 39' 4" | 35' 3" | 28' 9" |
| 1400S162-97 | 50 | 44' 0" | 40' 0" | 34' 10" | 49' 4" | 44' 10" | 37' 8" | 40' 0" | 36' 3" | 31' 8" | 44' 10" | 40' 9" | 35' 7" |
| 1400S162-118 | 50 | 47' 1" | 42' 9" | 37' 4" | 52' 10" | 48' 1" | 42' 0" | 42' 9" | 38' 10" | 34' 0" | 48' 1" | 43' 8" | 38' 2" |
| 1400S200-54 | 50 | 36' 10" | 32' 1" | 26' 2" | 36' 4" | 30' 6" | 23' 3" | 33' 7" | 30' 6" | 26' 2" | 36' 4" | 30' 6" | 23' 3" |
| 1400S200-68 | 50 | 40' 3" | 36' 7" | 31' 1" | 44' 0" | 38' 1" | 31' 1" | 36' 7" | 33' 2" | 29' 0" | 41' 1" | 37' 3" | 31' 1" |
| 1400S200-97 | 50 | 45' 8" | 41' 7" | 36' 3" | 51' 3" | 46' 7" | 40' 4" | 41' 7" | 37' 9" | 33' 0" | 46' 7" | 42' 4" | 37' 0" |
| 1400S200-118 | 50 | 49' 0" | 44' 6" | 38' 10" | 55' 0" | 49' 10" | 43' 7" | 44' 6" | 40' 4" | 35' 3" | 49' 10" | 45' 4" | 39' 7" |
| 1400S250-54 | 50 | 38' 3" | 33' 3" | 27' 2" | 36' 10" | 30' 10" | 23' 7" | 34' 9" | 31' 7" | 27' 2" | 36' 10" | 30' 10" | 23' 7" |
| 1400S250-68 | 50 | 41' 9" | 38' 0" | 32' 3" | 45' 8" | 39' 6" | 31' 10" | 38' 0" | 34' 6" | 30' 2" | 42' 8" | 38' 9" | 31' 10" |
| 1400S250-97 | 50 | 47' 6" | 43' 1" | 37' 8" | 53' 3" | 48' 4" | 41' 10" | 43' 1" | 39' 2" | 34' 2" | 48' 4" | 44' 0" | 38' 4" |
| 1400S250-118 | 50 | 50' 8" | 46' 1" | 40' 2" | 56' 10" | 51' 8" | 45' 2" | 46' 1" | 41' 10" | 36' 7" | 51' 8" | 47' 0" | 41' 0" |
| 1400S300-54 | 50 | 39' 0" | 34' 1" | 27' 10" | 37' 2" | 31' 1" | 23' 8" | 35' 6" | 32' 2" | 27' 10" | 37' 2" | 31' 1" | 23' 8" |
| 1400S300-68 | 50 | 43' 0" | 39' 0" | 33' 0" | 46' 8" | 40' 6" | 32' 3" | 39' 0" | 35' 6" | 31' 0" | 43' 9" | 39' 9" | 32' 3" |
| 1400S300-97 | 50 | 49' 1" | 44' 7" | 38' 10" | 55' 1" | 50' 0" | 42' 10" | 44' 7" | 40' 6" | 35' 4" | 50' 0" | 45' 6" | 39' 8" |
| 1400S300-118 | 50 | 52' 3" | 47' 7" | 41' 6" | 58' 9" | 53' 4" | 46' 7" | 47' 7" | 43' 2" | 37' 9" | 53' 4" | 48' 6" | 42' 4" |
| 1400S350-54 | 50 | 41' 7" | 37' 9" | 31' 3" | 40' 7" | 33' 8" | 25' 3" | 37' 9" | 34' 4" | 30' 0" | 40' 7" | 33' 8" | 25' 3" |
| 1400S350-68 | 50 | 46' 1" | 41' 9" | 36' 7" | 51' 8" | 45' 2" | 35' 10" | 41' 9" | 38' 0" | 33' 2" | 47' 0" | 42' 8" | 35' 10" |
| 1400S350-97 | 50 | 51' 6" | 46' 9" | 40' 10" | 57' 9" | 52' 6" | 45' 10" | 46' 9" | 42' 6" | 37' 1" | 52' 6" | 47' 8" | 41' 8" |
| 1400S350-118 | 50 | 54' 9" | 49' 9" | 43' 6" | 61' 6" | 55' 10" | 48' 9" | 49' 9" | 45' 2" | 39' 6" | 55' 10" | 50' 9" | 44' 3" |
| 1600S162-68 | 50 | 42' 8" | 36' 10" | 30' 2" | 42' 8" | 36' 10" | 30' 2" | 38' 10" | 35' 4" | 30' 2" | 42' 8" | 36' 10" | 30' 2" |
| 1600S162-97 | 50 | 49' 0" | 44' 6" | 38' 10" | 55' 0" | 48' 9" | 39' 9" | 44' 6" | 40' 4" | 35' 3" | 50' 0" | 45' 4" | 39' 8" |
| 1600S162-118 | 50 | 52' 7" | 47' 9" | 41' 9" | 59' 1" | 53' 8" | 46' 4" | 47' 9" | 43' 4" | 37' 10" | 53' 8" | 48' 9" | 42' 7" |
| 1600S200-68 | 50 | 44' 7" | 40' 1" | 32' 8" | 46' 3" | 40' 1" | 32' 8" | 40' 6" | 36' 9" | 32' 2" | 45' 6" | 40' 1" | 32' 8" |
| 1600S200-97 | 50 | 50' 9" | 46' 2" | 40' 4" | 57' 1" | 51' 10" | 44' 2" | 46' 2" | 42' 0" | 36' 8" | 51' 10" | 47' 1" | 41' 2" |
| 1600S200-118 | 50 | 54' 7" | 49' 7" | 43' 3" | 61' 3" | 55' 8" | 48' 7" | 49' 7" | 45' 0" | 39' 3" | 55' 8" | 50' 7" | 44' 2" |
| 1600S250-68 | 50 | 46' 2" | 41' 9" | 34' 1" | 48' 2" | 41' 9" | 33' 0" | 42' 0" | 38' 2" | 33' 3" | 47' 1" | 41' 9" | 33' 0" |
| 1600S250-97 | 50 | 52' 7" | 47' 9" | 41' 9" | 59' 0" | 53' 7" | 44' 7" | 47' 9" | 43' 4" | 37' 10" | 53' 7" | 48' 8" | 42' 7" |
| 1600S250-118 | 50 | 56' 4" | 51' 3" | 44' 9" | 63' 3" | 57' 6" | 50' 3" | 51' 3" | 46' 7" | 40' 8" | 57' 6" | 52' 3" | 45' 8" |
| 1600S300-68 | 50 | 47' 3" | 42' 10" | 35' 1" | 49' 7" | 42' 4" | 33' 4" | 43' 0" | 39' 1" | 34' 1" | 48' 2" | 42' 4" | 33' 4" |
| 1600S300-97 | 50 | 54' 2" | 49' 2" | 43' 0" | 60' 9" | 55' 3" | 45' 8" | 49' 2" | 44' 8" | 39' 1" | 55' 3" | 50' 2" | 43' 10" |
| 1600S300-118 | 50 | 58' 2" | 52' 10" | 46' 2" | 65' 3" | 59' 4" | 51' 10" | 52' 10" | 48' 0" | 42' 0" | 59' 4" | 53' 10" | 47' 1" |
| 1600S350-68 | 50 | 49' 10" | 45' 3" | 39' 3" | 54' 8" | 46' 3" | 36' 1" | 45' 3" | 41' 2" | 36' 0" | 50' 10" | 46' 2" | 36' 1" |
| 1600S350-97 | 50 | 56' 9" | 51' 7" | 45' 0" | 63' 8" | 57' 10" | 50' 7" | 51' 7" | 46' 9" | 40' 10" | 57' 10" | 52' 7" | 45' 10" |
| 1600S350-118 | 50 | 60' 9" | 55' 2" | 48' 3" | 68' 2" | 62' 0" | 54' 2" | 55' 2" | 50' 2" | 43' 9" | 62' 0" | 56' 3" | 49' 2" |

NOTE: See page 43 for Table Notes.

FLOOR JOIST SPANS

10 psf Dead Load and 30 psf Live Load

| MEMBER | F _y (ksi) | LIVE LOAD DEFLECTION L/360 | | | | | | LIVE LOAD DEFLECTION L/480 | | | | | |
|------------------|-------------------------|----------------------------|---------|---------|--------------------------|---------|---------|----------------------------|---------|---------|--------------------------|---------|---------|
| | | Single Span | | | Two Equal Spans | | | Single Span | | | Two Equal Spans | | |
| | | JOIST SPACING (in.) o.c. | | | JOIST SPACING (in.) o.c. | | | JOIST SPACING (in.) o.c. | | | JOIST SPACING (in.) o.c. | | |
| | | 12 | 16 | 24 | 12 | 16 | 24 | 12 | 16 | 24 | 12 | 16 | 24 |
| 600S137-33 | 33 | 11' 8" | 10' 1" | 8' 3" | 11' 7" | 9' 9" | 7' 8" | 11' 8" | 10' 1" | 8' 3" | 11' 7" | 9' 9" | 7' 8" |
| 600S137-43 | 33 | 14' 0" | 12' 2" | 9' 10" | 14' 0" | 12' 2" | 9' 10" | 13' 1" | 11' 10" | 9' 10" | 14' 0" | 12' 2" | 9' 10" |
| 600S137-43 (50) | 50 | 14' 3" | 13' 0" | 11' 4" | 16' 1" | 13' 10" | 11' 3" | 13' 0" | 11' 9" | 10' 3" | 14' 7" | 13' 3" | 11' 3" |
| 600S137-54 | 50 | 15' 4" | 14' 0" | 12' 2" | 17' 3" | 15' 8" | 13' 3" | 14' 0" | 12' 8" | 11' 1" | 15' 8" | 14' 3" | 12' 6" |
| 600S137-68 | 50 | 16' 6" | 15' 0" | 13' 1" | 18' 6" | 16' 9" | 14' 8" | 15' 0" | 13' 7" | 11' 10" | 16' 9" | 15' 3" | 13' 4" |
| 600S137-97 | 50 | 18' 3" | 16' 7" | 14' 6" | 20' 6" | 18' 7" | 16' 3" | 16' 7" | 15' 1" | 13' 2" | 18' 7" | 16' 10" | 14' 9" |
| 600S162-33 | 33 | 12' 7" | 10' 10" | 8' 10" | 12' 7" | 10' 9" | 8' 4" | 12' 6" | 10' 10" | 8' 10" | 12' 7" | 10' 9" | 8' 4" |
| 600S162-43 | 33 | 15' 0" | 13' 4" | 11' 0" | 15' 6" | 13' 4" | 11' 0" | 13' 7" | 12' 4" | 10' 9" | 15' 3" | 13' 4" | 11' 0" |
| 600S162-43 (50) | 50 | 15' 0" | 13' 7" | 11' 10" | 16' 9" | 14' 10" | 12' 2" | 13' 7" | 12' 4" | 10' 9" | 15' 3" | 13' 10" | 12' 1" |
| 600S162-54 | 50 | 16' 1" | 14' 7" | 12' 9" | 18' 1" | 16' 4" | 14' 3" | 14' 7" | 13' 3" | 11' 7" | 16' 4" | 14' 10" | 13' 0" |
| 600S162-68 | 50 | 17' 3" | 15' 8" | 13' 8" | 19' 4" | 17' 7" | 15' 4" | 15' 8" | 14' 2" | 12' 4" | 17' 7" | 16' 0" | 14' 0" |
| 600S162-97 | 50 | 19' 1" | 17' 4" | 15' 2" | 21' 6" | 19' 6" | 17' 0" | 17' 4" | 15' 9" | 13' 9" | 19' 6" | 17' 8" | 15' 6" |
| 600S162-118 | 50 | 20' 2" | 18' 3" | 16' 0" | 22' 8" | 20' 7" | 18' 0" | 18' 3" | 16' 8" | 14' 7" | 20' 7" | 18' 8" | 16' 3" |
| 600S200-33 | 33 | 13' 4" | 11' 7" | 9' 6" | 13' 2" | 11' 2" | 8' 8" | 13' 1" | 11' 7" | 9' 6" | 13' 2" | 11' 2" | 8' 8" |
| 600S200-43 | 33 | 15' 9" | 13' 10" | 11' 3" | 16' 0" | 13' 10" | 11' 3" | 14' 3" | 13' 0" | 11' 3" | 16' 0" | 13' 10" | 11' 3" |
| 600S200-43 (50) | 50 | 15' 9" | 14' 3" | 12' 6" | 17' 8" | 15' 10" | 13' 0" | 14' 3" | 13' 0" | 11' 4" | 16' 1" | 14' 7" | 12' 9" |
| 600S200-54 | 50 | 16' 10" | 15' 4" | 13' 4" | 19' 0" | 17' 2" | 15' 1" | 15' 4" | 14' 0" | 12' 2" | 17' 2" | 15' 8" | 13' 8" |
| 600S200-68 | 50 | 18' 1" | 16' 6" | 14' 4" | 20' 4" | 18' 6" | 16' 2" | 16' 6" | 15' 0" | 13' 1" | 18' 6" | 16' 9" | 14' 8" |
| 600S200-97 | 50 | 20' 1" | 18' 3" | 16' 0" | 22' 7" | 20' 6" | 17' 10" | 18' 3" | 16' 7" | 14' 6" | 20' 6" | 18' 8" | 16' 3" |
| 600S200-118 | 50 | 21' 3" | 19' 4" | 16' 10" | 23' 10" | 21' 8" | 19' 0" | 19' 4" | 17' 7" | 15' 4" | 21' 8" | 19' 8" | 17' 2" |
| 600S250-43 | 33 | 16' 4" | 14' 2" | 11' 7" | 16' 4" | 14' 2" | 11' 7" | 15' 0" | 13' 7" | 11' 7" | 16' 4" | 14' 2" | 11' 7" |
| 600S250-43 (50) | 50 | 16' 3" | 14' 9" | 12' 10" | 18' 3" | 16' 2" | 13' 2" | 14' 9" | 13' 4" | 11' 8" | 16' 7" | 15' 1" | 13' 2" |
| 600S250-54 | 50 | 17' 7" | 16' 0" | 14' 0" | 19' 9" | 18' 0" | 15' 6" | 16' 0" | 14' 7" | 12' 8" | 18' 0" | 16' 3" | 14' 3" |
| 600S250-68 | 50 | 19' 0" | 17' 3" | 15' 1" | 21' 4" | 19' 4" | 17' 0" | 17' 3" | 15' 8" | 13' 8" | 19' 4" | 17' 7" | 15' 4" |
| 600S250-97 | 50 | 21' 2" | 19' 2" | 16' 9" | 23' 8" | 21' 7" | 18' 9" | 19' 2" | 17' 6" | 15' 3" | 21' 7" | 19' 7" | 17' 1" |
| 600S250-118 | 50 | 22' 4" | 20' 4" | 17' 9" | 25' 1" | 22' 9" | 20' 0" | 20' 4" | 18' 6" | 16' 2" | 22' 9" | 20' 9" | 18' 1" |
| 600S300-54 | 50 | 18' 0" | 16' 4" | 14' 3" | 20' 2" | 18' 4" | 15' 8" | 16' 4" | 14' 10" | 13' 0" | 18' 4" | 16' 8" | 14' 7" |
| 600S300-68 | 50 | 19' 7" | 17' 9" | 15' 7" | 22' 0" | 20' 0" | 17' 6" | 17' 9" | 16' 2" | 14' 2" | 20' 0" | 18' 2" | 15' 10" |
| 600S300-97 | 50 | 22' 0" | 20' 0" | 17' 6" | 24' 8" | 22' 4" | 19' 7" | 20' 0" | 18' 2" | 15' 10" | 22' 4" | 20' 4" | 17' 9" |
| 600S300-118 | 50 | 23' 4" | 21' 3" | 18' 7" | 26' 3" | 23' 10" | 20' 9" | 21' 3" | 19' 3" | 16' 10" | 23' 10" | 21' 8" | 18' 10" |
| 800S137-33 | 33 | 13' 4" | 11' 7" | 9' 4" | 12' 4" | 10' 3" | 7' 8" | 13' 4" | 11' 7" | 9' 4" | 12' 4" | 10' 3" | 7' 8" |
| 800S137-43 | 33 | 16' 2" | 14' 0" | 11' 6" | 16' 2" | 14' 0" | 11' 2" | 16' 2" | 14' 0" | 11' 6" | 16' 2" | 14' 0" | 11' 2" |
| 800S137-43 (50) | 50 | 17' 10" | 16' 0" | 13' 0" | 18' 6" | 16' 0" | 12' 7" | 16' 2" | 14' 8" | 12' 10" | 18' 2" | 16' 0" | 12' 7" |
| 800S137-54 | 50 | 19' 4" | 17' 7" | 15' 4" | 21' 8" | 18' 10" | 15' 4" | 17' 7" | 16' 0" | 14' 0" | 19' 8" | 17' 10" | 15' 4" |
| 800S137-68 | 50 | 20' 10" | 19' 0" | 16' 7" | 23' 6" | 21' 4" | 18' 2" | 19' 0" | 17' 3" | 15' 1" | 21' 4" | 19' 4" | 17' 0" |
| 800S137-97 | 50 | 23' 2" | 21' 1" | 18' 4" | 26' 1" | 23' 8" | 20' 8" | 21' 1" | 19' 2" | 16' 8" | 23' 8" | 21' 6" | 18' 9" |
| 800S162-33 | 33 | 14' 6" | 12' 7" | 10' 3" | 13' 0" | 10' 8" | 8' 0" | 14' 6" | 12' 7" | 10' 3" | 13' 0" | 10' 8" | 8' 0" |
| 800S162-43 | 33 | 17' 6" | 15' 1" | 12' 4" | 17' 6" | 14' 10" | 11' 9" | 17' 0" | 15' 1" | 12' 4" | 17' 6" | 14' 10" | 11' 9" |
| 800S162-43 (50) | 50 | 18' 7" | 16' 10" | 14' 1" | 19' 7" | 16' 7" | 13' 0" | 16' 10" | 15' 4" | 13' 4" | 19' 0" | 16' 7" | 13' 0" |
| 800S162-54 | 50 | 20' 1" | 18' 3" | 16' 0" | 22' 7" | 20' 3" | 16' 6" | 18' 3" | 16' 7" | 14' 6" | 20' 6" | 18' 8" | 16' 3" |
| 800S162-68 | 50 | 21' 9" | 19' 9" | 17' 3" | 24' 4" | 22' 2" | 19' 4" | 19' 9" | 18' 0" | 15' 8" | 22' 2" | 20' 2" | 17' 7" |
| 800S162-97 | 50 | 24' 2" | 22' 0" | 19' 2" | 27' 2" | 24' 8" | 21' 6" | 22' 0" | 20' 0" | 17' 4" | 24' 8" | 22' 4" | 19' 7" |
| 800S162-118 | 50 | 25' 7" | 23' 3" | 20' 3" | 28' 8" | 26' 1" | 22' 9" | 23' 3" | 21' 1" | 18' 6" | 26' 1" | 23' 8" | 20' 8" |
| 800S200-43 | 33 | 18' 8" | 16' 2" | 13' 2" | 18' 8" | 16' 2" | 12' 10" | 18' 0" | 16' 2" | 13' 2" | 18' 8" | 16' 2" | 12' 10" |
| 800S200-43 (50) | 50 | 19' 9" | 18' 0" | 15' 1" | 21' 3" | 18' 1" | 14' 1" | 18' 0" | 16' 3" | 14' 3" | 20' 2" | 18' 1" | 14' 1" |
| 800S200-54 | 50 | 21' 2" | 19' 3" | 16' 10" | 23' 9" | 21' 7" | 17' 7" | 19' 3" | 17' 8" | 15' 3" | 19' 8" | 18' 8" | 17' 2" |
| 800S200-68 | 50 | 22' 9" | 20' 8" | 18' 1" | 25' 7" | 23' 3" | 20' 3" | 20' 8" | 18' 9" | 16' 4" | 23' 3" | 21' 1" | 18' 6" |
| 800S200-97 | 50 | 25' 4" | 23' 0" | 20' 1" | 28' 6" | 25' 10" | 22' 7" | 23' 0" | 20' 10" | 18' 3" | 25' 10" | 23' 6" | 20' 6" |
| 800S200-118 | 50 | 26' 10" | 24' 4" | 21' 3" | 30' 2" | 27' 4" | 23' 10" | 24' 4" | 22' 2" | 19' 4" | 27' 4" | 24' 10" | 21' 8" |
| 800S250-43 | 33 | 19' 2" | 16' 7" | 13' 7" | 19' 2" | 16' 7" | 13' 0" | 18' 8" | 16' 7" | 13' 7" | 19' 2" | 16' 7" | 13' 0" |
| 800S250-43 (50) | 50 | 20' 4" | 18' 6" | 15' 4" | 21' 6" | 18' 2" | 14' 1" | 18' 6" | 16' 9" | 14' 8" | 20' 9" | 18' 2" | 14' 1" |
| 800S250-54 | 50 | 22' 0" | 20' 0" | 17' 6" | 24' 8" | 22' 1" | 18' 1" | 20' 0" | 18' 2" | 15' 10" | 22' 6" | 20' 4" | 17' 9" |
| 800S250-68 | 50 | 23' 9" | 21' 7" | 18' 10" | 26' 8" | 24' 3" | 21' 2" | 21' 7" | 19' 8" | 17' 2" | 24' 3" | 22' 1" | 19' 3" |
| 800S250-97 | 50 | 26' 6" | 24' 1" | 21' 0" | 29' 9" | 27' 0" | 23' 7" | 24' 1" | 21' 10" | 19' 1" | 27' 0" | 24' 7" | 21' 6" |
| 800S250-118 | 50 | 28' 1" | 25' 6" | 22' 3" | 31' 6" | 28' 8" | 25' 0" | 25' 6" | 23' 2" | 20' 3" | 28' 8" | 26' 0" | 22' 9" |
| 800S300-54 | 50 | 22' 6" | 20' 4" | 17' 9" | 25' 2" | 22' 4" | 18' 3" | 20' 4" | 18' 7" | 16' 2" | 22' 10" | 20' 9" | 18' 2" |
| 800S300-68 | 50 | 24' 6" | 22' 3" | 19' 4" | 27' 6" | 25' 0" | 21' 6" | 22' 3" | 20' 2" | 17' 8" | 25' 0" | 22' 8" | 19' 9" |
| 800S300-97 | 50 | 27' 6" | 25' 0" | 21' 9" | 30' 10" | 28' 0" | 24' 6" | 25' 0" | 22' 8" | 19' 9" | 28' 0" | 25' 6" | 22' 2" |
| 800S300-118 | 50 | 29' 2" | 26' 7" | 23' 2" | 32' 9" | 29' 9" | 26' 1" | 26' 7" | 24' 1" | 21' 1" | 29' 9" | 27' 1" | 23' 8" |
| 1000S162-33 | 33 | 15' 10" | 13' 9" | 9' 4" | 12' 8" | 10' 1" | 7' 1" | 15' 10" | 13' 9" | 9' 4" | 12' 8" | 10' 1" | 7' 1" |
| 1000S162-43 | 33 | 19' 4" | 16' 9" | 13' 8" | 18' 9" | 15' 9" | 12' 1" | 19' 4" | 16' 9" | 13' 8" | 18' 9" | 15' 9" | 12' 1" |
| 1000S162-43 (50) | 50 | 22' 0" | 19' 0" | 15' 6" | 20' 8" | 17' 3" | 13' 1" | 20' 0" | 18' 2" | 15' 6" | 20' 8" | 17' 3" | 13' 1" |
| 1000S162-54 | 50 | 23' 10" | 21' 8" | 18' 3" | 25' 10" | 22' 6" | 18' 1" | 21' 8" | 19' 9" | 17' 3" | 24' 4" | 22' 2" | 18' 1" |
| 1000S162-68 | 50 | 26' 0" | 23' 7" | 20' 7" | 29' 2" | 26' 6" | 21' 8" | 23' 7" | 21' 4" | 18' 8" | 26' 6" | 24' 1" | 21' 0" |
| 1000S162-97 | 50 | 29' 1" | 26' 6" | 23' 1" | 32' 8" | 29' 8" | 26' 0" | 26' 6" | 24' 0" | 21' 0" | 29' 8" | 27' 0" | 23' 7" |
| 1000S162-118 | 50 | 30' 10" | 28' 0" | 24' 6" | 34' 7" | 31' 6" | 27' 6" | 28' 0" | 25' 6" | 22' 3" | 31' 6" | 28' 7" | 25' 0" |
| 1000S200-43 | 33 | 20' 10" | 18' 1" | 14' 9" | 19' 9" | 16' 6" | 12' 7" | 20' 10" | 18' 1" | 14' 9" | 19' 9" | 16' 6" | 12' 7" |
| 1000S200-43 (50) | 50 | 23' 1" | 20' 6" | 16' 9" | 21' 10" | 18' 1" | 13' 7" | 20' 10" | 19' 0" | 16' 7" | 21' 10" | 18' 1" | 13' 7" |
| 1000S200-54 | 50 | 25' 0" | 22' 8" | 19' 8" | 27' 9" | 23' 8" | 18' 8" | 22' 8" | 20' 7" | 18' 0" | 25' 6" | 23' 2" | 18' 8" |
| 1000S200-68 | 50 | 27' 1" | 24' 7" | 21' 6" | 30' 4" | 27' 8" | 23' 2" | 24' 7" | 22' 4" | 19' 7" | 27' 8" | 25' 1" | 22' 0" |
| 1000S200-97 | 50 | 30' 4" | 27' 7" | 24' 1" | 34' 2" | 31' 0" | 27' 1" | 27' 7" | 25' 1" | 21' 10" | 31' 0" | 28' 2" | 24' 7" |
| 1000S200-118 | 50 | 32' 3" | 29' 3" | 25' 7" | 36' 2" | 32' 10" | 28' 8" | 29' 3 | | | | | |

FLOOR JOIST SPANS

10 psf Dead Load and 30 psf Live Load

| MEMBER | F _y (ksi) | LIVE LOAD DEFLECTION L/360 | | | | | | Live Load Deflection L/480 | | | | | |
|------------------|-------------------------|----------------------------|---------|---------|--------------------------|---------|---------|----------------------------|---------|---------|--------------------------|---------|---------|
| | | SINGLE SPAN | | | TWO EQUAL SPANS | | | SINGLE SPAN | | | TWO EQUAL SPANS | | |
| | | JOIST SPACING (in.) o.c. | | | JOIST SPACING (in.) o.c. | | | JOIST SPACING (in.) o.c. | | | JOIST SPACING (in.) o.c. | | |
| | | 12 | 16 | 24 | 12 | 16 | 24 | 12 | 16 | 24 | 12 | 16 | 24 |
| 1000S250-68 | 50 | 28' 4" | 25' 9" | 22' 7" | 31' 10" | 29' 0" | 23' 9" | 25' 9" | 23' 6" | 20' 6" | 29' 0" | 26' 3" | 23' 0" |
| 1000S250-97 | 50 | 31' 8" | 28' 9" | 25' 1" | 35' 7" | 32' 3" | 28' 2" | 28' 9" | 26' 2" | 22' 9" | 32' 3" | 29' 4" | 25' 7" |
| 1000S250-118 | 50 | 33' 7" | 30' 6" | 26' 8" | 37' 8" | 34' 3" | 30' 0" | 30' 6" | 27' 9" | 24' 2" | 34' 3" | 31' 2" | 27' 2" |
| 1000S300-54 | 50 | 26' 9" | 24' 3" | 20' 7" | 29' 1" | 24' 9" | 19' 7" | 24' 3" | 22' 1" | 19' 3" | 27' 3" | 24' 9" | 19' 7" |
| 1000S300-68 | 50 | 29' 2" | 26' 6" | 23' 1" | 32' 8" | 29' 8" | 24' 2" | 26' 6" | 24' 1" | 21' 0" | 29' 8" | 27' 0" | 23' 7" |
| 1000S300-97 | 50 | 32' 9" | 29' 9" | 26' 0" | 36' 9" | 33' 4" | 29' 2" | 29' 9" | 27' 0" | 23' 7" | 33' 4" | 30' 3" | 26' 6" |
| 1000S300-118 | 50 | 34' 10" | 31' 8" | 27' 8" | 39' 1" | 35' 7" | 31' 1" | 31' 8" | 28' 9" | 25' 1" | 35' 7" | 32' 3" | 28' 2" |
| 1000S350-54 | 50 | 28' 3" | 25' 8" | 22' 4" | 31' 8" | 27' 0" | 21' 2" | 25' 8" | 23' 3" | 20' 4" | 28' 9" | 26' 2" | 21' 2" |
| 1000S350-68 | 50 | 30' 9" | 28' 0" | 24' 6" | 34' 7" | 26' 10" | 22' 2" | 28' 0" | 25' 6" | 22' 2" | 31' 4" | 28' 7" | 25' 0" |
| 1000S350-97 | 50 | 34' 6" | 31' 3" | 27' 4" | 38' 8" | 35' 2" | 30' 8" | 31' 3" | 28' 6" | 24' 10" | 35' 2" | 32' 0" | 27' 10" |
| 1000S350-118 | 50 | 36' 7" | 33' 3" | 29' 1" | 41' 1" | 37' 4" | 32' 7" | 33' 3" | 30' 2" | 26' 4" | 37' 4" | 34' 0" | 29' 8" |
| 1200S162-43 | 33 | 20' 9" | 18' 0" | 14' 8" | 19' 3" | 15' 10" | 11' 9" | 20' 9" | 18' 0" | 14' 8" | 19' 3" | 15' 10" | 11' 9" |
| 1200S162-43 (50) | 50 | 23' 6" | 20' 4" | 16' 7" | 20' 10" | 17' 0" | 12' 3" | 23' 0" | 20' 4" | 16' 7" | 20' 10" | 17' 0" | 12' 3" |
| 1200S162-54 | 50 | 27' 6" | 24' 2" | 19' 8" | 27' 10" | 24' 1" | 18' 8" | 25' 0" | 22' 8" | 19' 8" | 27' 10" | 24' 1" | 18' 8" |
| 1200S162-68 | 50 | 30' 0" | 27' 2" | 23' 6" | 33' 2" | 28' 9" | 23' 6" | 27' 2" | 24' 8" | 21' 7" | 24' 7" | 21' 7" | 23' 6" |
| 1200S162-97 | 50 | 33' 10" | 30' 9" | 26' 10" | 38' 1" | 34' 7" | 30' 2" | 30' 9" | 28' 0" | 24' 6" | 34' 7" | 31' 4" | 27' 6" |
| 1200S162-118 | 50 | 36' 0" | 32' 8" | 28' 7" | 40' 6" | 36' 9" | 32' 1" | 32' 8" | 29' 9" | 26' 0" | 36' 9" | 33' 4" | 29' 2" |
| 1200S200-54 | 50 | 28' 8" | 26' 1" | 21' 4" | 29' 6" | 24' 10" | 19' 2" | 26' 1" | 23' 8" | 20' 8" | 29' 3" | 24' 10" | 19' 2" |
| 1200S200-68 | 50 | 31' 2" | 28' 4" | 24' 9" | 35' 1" | 30' 10" | 25' 3" | 28' 4" | 25' 9" | 22' 10" | 31' 3" | 28' 10" | 25' 3" |
| 1200S200-97 | 50 | 35' 3" | 32' 1" | 28' 0" | 39' 8" | 36' 0" | 31' 6" | 32' 1" | 29' 2" | 25' 6" | 36' 0" | 32' 8" | 28' 7" |
| 1200S200-118 | 50 | 37' 7" | 34' 1" | 29' 9" | 42' 2" | 38' 3" | 33' 6" | 34' 1" | 31' 0" | 27' 1" | 38' 3" | 34' 9" | 30' 4" |
| 1200S250-54 | 50 | 29' 10" | 27' 0" | 22' 1" | 30' 0" | 25' 2" | 19' 6" | 27' 2" | 24' 8" | 21' 7" | 30' 0" | 25' 2" | 19' 6" |
| 1200S250-68 | 50 | 32' 6" | 29' 7" | 25' 9" | 36' 6" | 31' 10" | 25' 9" | 29' 7" | 26' 10" | 23' 6" | 33' 2" | 30' 2" | 25' 9" |
| 1200S250-97 | 50 | 36' 8" | 33' 4" | 29' 2" | 41' 2" | 37' 6" | 32' 8" | 33' 4" | 30' 3" | 26' 6" | 37' 6" | 34' 0" | 29' 8" |
| 1200S250-118 | 50 | 39' 0" | 35' 4" | 31' 0" | 43' 9" | 39' 9" | 34' 8" | 35' 4" | 32' 2" | 28' 1" | 39' 9" | 36' 1" | 31' 7" |
| 1200S300-54 | 50 | 31' 0" | 27' 6" | 22' 6" | 30' 8" | 25' 9" | 19' 9" | 28' 2" | 25' 7" | 22' 3" | 30' 8" | 25' 9" | 19' 9" |
| 1200S300-68 | 50 | 33' 9" | 30' 8" | 26' 7" | 37' 7" | 32' 7" | 26' 7" | 30' 8" | 27' 10" | 24' 4" | 34' 6" | 31' 3" | 26' 7" |
| 1200S300-97 | 50 | 38' 0" | 34' 6" | 30' 1" | 42' 7" | 38' 8" | 33' 9" | 34' 6" | 31' 4" | 27' 4" | 38' 8" | 35' 2" | 30' 8" |
| 1200S300-118 | 50 | 40' 4" | 36' 8" | 32' 0" | 45' 3" | 41' 2" | 36' 0" | 36' 8" | 33' 3" | 29' 1" | 40' 4" | 37' 4" | 32' 8" |
| 1200S350-54 | 50 | 32' 7" | 29' 7" | 25' 2" | 33' 3" | 27' 9" | 21' 1" | 29' 7" | 26' 10" | 23' 6" | 33' 3" | 27' 9" | 21' 1" |
| 1200S350-68 | 50 | 35' 7" | 32' 4" | 28' 3" | 40' 0" | 36' 2" | 29' 3" | 32' 4" | 29' 4" | 25' 8" | 36' 3" | 33' 0" | 28' 9" |
| 1200S350-97 | 50 | 39' 9" | 36' 2" | 31' 7" | 44' 8" | 40' 7" | 35' 6" | 36' 2" | 32' 10" | 28' 8" | 40' 7" | 36' 10" | 32' 9" |
| 1200S350-118 | 50 | 42' 3" | 38' 4" | 33' 7" | 47' 6" | 43' 2" | 37' 8" | 38' 4" | 34' 10" | 30' 6" | 43' 2" | 39' 2" | 34' 2" |
| 1400S162-54 | 50 | 29' 6" | 25' 6" | 20' 9" | 29' 6" | 24' 7" | 18' 7" | 28' 1" | 25' 6" | 20' 9" | 29' 6" | 24' 7" | 18' 7" |
| 1400S162-68 | 50 | 33' 9" | 30' 6" | 24' 10" | 35' 3" | 30' 6" | 24' 10" | 30' 8" | 27' 10" | 24' 4" | 34' 6" | 30' 6" | 24' 10" |
| 1400S162-97 | 50 | 38' 6" | 34' 10" | 30' 6" | 43' 2" | 39' 2" | 32' 8" | 34' 10" | 31' 8" | 27' 8" | 39' 2" | 35' 7" | 31' 1" |
| 1400S162-118 | 50 | 41' 2" | 37' 4" | 32' 8" | 46' 2" | 42' 0" | 36' 8" | 37' 4" | 34' 0" | 29' 8" | 42' 0" | 38' 2" | 33' 3" |
| 1400S200-54 | 50 | 32' 1" | 27' 9" | 22' 8" | 30' 6" | 25' 3" | 19' 0" | 29' 3" | 26' 7" | 22' 8" | 30' 6" | 25' 3" | 19' 0" |
| 1400S200-68 | 50 | 35' 2" | 31' 10" | 26' 10" | 38' 1" | 33' 0" | 26' 9" | 31' 10" | 29' 0" | 25' 4" | 35' 10" | 32' 7" | 26' 9" |
| 1400S200-97 | 50 | 40' 0" | 36' 3" | 31' 8" | 44' 9" | 40' 8" | 35' 0" | 36' 3" | 33' 0" | 28' 9" | 40' 8" | 37' 0" | 32' 3" |
| 1400S200-118 | 50 | 42' 9" | 38' 10" | 33' 10" | 48' 0" | 43' 7" | 38' 1" | 38' 10" | 35' 3" | 30' 9" | 43' 7" | 39' 7" | 34' 7" |
| 1400S250-54 | 50 | 33' 3" | 28' 10" | 23' 7" | 30' 10" | 25' 6" | 19' 1" | 30' 4" | 27' 7" | 23' 7" | 30' 10" | 25' 6" | 19' 1" |
| 1400S250-68 | 50 | 36' 7" | 33' 2" | 28' 0" | 39' 6" | 34' 1" | 27' 0" | 33' 2" | 30' 2" | 26' 4" | 37' 0" | 33' 10" | 27' 0" |
| 1400S250-97 | 50 | 41' 6" | 37' 8" | 32' 10" | 46' 6" | 42' 3" | 36' 3" | 37' 8" | 34' 2" | 29' 10" | 42' 3" | 38' 4" | 33' 7" |
| 1400S250-118 | 50 | 44' 3" | 40' 2" | 35' 2" | 49' 8" | 45' 2" | 39' 6" | 40' 2" | 36' 7" | 31' 10" | 45' 2" | 41' 0" | 35' 10" |
| 1400S300-54 | 50 | 34' 1" | 29' 6" | 24' 1" | 31' 1" | 25' 8" | 19' 2" | 31' 0" | 28' 1" | 24' 1" | 31' 1" | 25' 8" | 19' 2" |
| 1400S300-68 | 50 | 37' 6" | 34' 1" | 28' 7" | 40' 6" | 34' 7" | 27' 3" | 34' 1" | 31' 0" | 27' 1" | 38' 3" | 34' 7" | 27' 3" |
| 1400S300-97 | 50 | 42' 10" | 38' 10" | 34' 0" | 48' 1" | 43' 8" | 37' 1" | 38' 10" | 35' 4" | 30' 10" | 43' 8" | 39' 8" | 34' 8" |
| 1400S300-118 | 50 | 45' 8" | 41' 6" | 36' 3" | 51' 3" | 46' 7" | 40' 8" | 41' 6" | 37' 9" | 33' 0" | 46' 7" | 42' 4" | 37' 0" |
| 1400S350-54 | 50 | 36' 4" | 33' 0" | 27' 1" | 33' 8" | 27' 7" | 20' 3" | 33' 0" | 30' 0" | 26' 2" | 33' 8" | 27' 7" | 20' 3" |
| 1400S350-68 | 50 | 40' 2" | 36' 7" | 31' 10" | 45' 2" | 38' 6" | 30' 1" | 36' 7" | 33' 2" | 29' 0" | 41' 0" | 37' 3" | 30' 1" |
| 1400S350-97 | 50 | 45' 0" | 40' 10" | 35' 8" | 50' 6" | 45' 10" | 40' 1" | 40' 10" | 37' 1" | 32' 4" | 45' 10" | 41' 8" | 36' 4" |
| 1400S350-118 | 50 | 47' 9" | 43' 6" | 38' 0" | 53' 8" | 48' 9" | 42' 7" | 43' 6" | 39' 6" | 34' 6" | 48' 9" | 44' 3" | 38' 8" |
| 1600S162-68 | 50 | 36' 10" | 32' 0" | 26' 1" | 36' 10" | 32' 0" | 26' 1" | 34' 0" | 30' 10" | 26' 1" | 36' 10" | 32' 0" | 26' 1" |
| 1600S162-97 | 50 | 42' 9" | 38' 10" | 34' 0" | 48' 0" | 42' 3" | 34' 6" | 38' 10" | 35' 3" | 30' 10" | 43' 7" | 39' 8" | 34' 6" |
| 1600S162-118 | 50 | 46' 0" | 41' 9" | 36' 6" | 51' 7" | 46' 10" | 40' 2" | 41' 9" | 37' 10" | 33' 1" | 46' 10" | 42' 7" | 37' 2" |
| 1600S200-68 | 50 | 39' 0" | 34' 8" | 28' 3" | 40' 1" | 34' 8" | 27' 4" | 35' 4" | 32' 2" | 28' 1" | 39' 8" | 34' 8" | 27' 4" |
| 1600S200-97 | 50 | 44' 4" | 40' 4" | 35' 3" | 49' 10" | 45' 3" | 37' 1" | 40' 4" | 36' 8" | 32' 0" | 45' 3" | 41' 2" | 36' 0" |
| 1600S200-118 | 50 | 47' 8" | 43' 3" | 37' 9" | 53' 6" | 48' 7" | 42' 6" | 43' 3" | 39' 3" | 34' 4" | 48' 7" | 44' 2" | 38' 7" |
| 1600S250-68 | 50 | 40' 4" | 36' 2" | 29' 6" | 41' 9" | 35' 4" | 27' 7" | 36' 8" | 33' 3" | 29' 1" | 41' 2" | 35' 4" | 27' 7" |
| 1600S250-97 | 50 | 46' 0" | 41' 9" | 36' 6" | 51' 7" | 46' 10" | 38' 7" | 41' 9" | 37' 10" | 33' 1" | 46' 10" | 42' 7" | 37' 2" |
| 1600S250-118 | 50 | 49' 3" | 44' 9" | 39' 1" | 55' 3" | 50' 3" | 43' 10" | 44' 9" | 40' 8" | 35' 6" | 50' 3" | 45' 8" | 39' 10" |
| 1600S300-68 | 50 | 41' 3" | 37' 2" | 30' 4" | 42' 4" | 35' 9" | 27' 9" | 37' 6" | 34' 1" | 29' 9" | 42' 1" | 35' 9" | 27' 9" |
| 1600S300-97 | 50 | 47' 3" | 43' 0" | 37' 7" | 53' 1" | 48' 3" | 39' 7" | 43' 0" | 39' 1" | 34' 1" | 48' 3" | 43' 10" | 38' 3" |
| 1600S300-118 | 50 | 50' 9" | 46' 2" | 40' 4" | 57' 1" | 51' 10" | 45' 3" | 46' 2" | 42' 0" | 36' 8" | 51' 10" | 47' 1" | 41' 2" |
| 1600S350-68 | 50 | 43' 7" | 39' 7" | 34' 0" | 46' 3" | 38' 9" | 29' 10" | 39' 7" | 36' 0" | 31' 4" | 44' 6" | 38' 9" | 29' 10" |
| 1600S350-97 | 50 | 49' 7" | 45' 0" | 39' 4" | 55' 8" | 50' 7" | 43' 9" | 45' 0" | 40' 10" | 35' 9" | 50' 7" | 45' 10" | 40' 1" |
| 1600S350-118 | 50 | 53' 1" | 48' 3" | 42' 2" | 59' 7" | 54' 2" | 47' 3" | 48' 3" | 43' 9" | 38' 3" | 54' 2" | 49' 2" | 43' 0" |

NOTE: See page 43 for Table Notes.

FLOOR JOIST SPANS

10 psf Dead Load and 40 psf Live Load

| MEMBER | F _y (ksi) | LIVE LOAD DEFLECTION L/360 | | | | | | LIVE LOAD DEFLECTION L/480 | | | | | |
|------------------|-------------------------|----------------------------|---------|---------|--------------------------|---------|---------|----------------------------|---------|---------|--------------------------|---------|---------|
| | | SINGLE SPAN | | | TWO EQUAL SPANS | | | SINGLE SPAN | | | TWO EQUAL SPANS | | |
| | | JOIST SPACING (in.) o.c. | | | JOIST SPACING (in.) o.c. | | | JOIST SPACING (in.) o.c. | | | JOIST SPACING (in.) o.c. | | |
| | | 12 | 16 | 24 | 12 | 16 | 24 | 12 | 16 | 24 | 12 | 16 | 24 |
| 600S137-33 | 33 | 10' 4" | 9' 0" | 7' 4" | 10' 2" | 8' 7" | 6' 8" | 10' 4" | 9' 0" | 7' 4" | 10' 2" | 8' 7" | 6' 8" |
| 600S137-43 | 33 | 12' 7" | 10' 10" | 8' 10" | 12' 7" | 10' 10" | 8' 8" | 11' 10" | 10' 9" | 8' 10" | 12' 7" | 10' 10" | 8' 8" |
| 600S137-43 (50) | 50 | 13' 0" | 11' 9" | 10' 2" | 14' 4" | 12' 6" | 10' 0" | 11' 9" | 10' 8" | 9' 4" | 13' 3" | 12' 0" | 10' 0" |
| 600S137-54 | 50 | 14' 0" | 12' 8" | 11' 1" | 15' 8" | 14' 3" | 11' 10" | 12' 8" | 11' 7" | 10' 1" | 14' 3" | 13' 0" | 11' 3" |
| 600S137-68 | 50 | 15' 0" | 13' 7" | 11' 10" | 16' 9" | 15' 3" | 13' 4" | 13' 7" | 12' 4" | 10' 9" | 15' 3" | 13' 10" | 12' 1" |
| 600S137-97 | 50 | 16' 7" | 15' 1" | 13' 2" | 18' 7" | 16' 10" | 14' 9" | 15' 1" | 13' 8" | 12' 0" | 16' 10" | 15' 4" | 13' 4" |
| 600S162-33 | 33 | 11' 2" | 9' 8" | 7' 10" | 11' 2" | 9' 6" | 7' 3" | 11' 2" | 9' 8" | 7' 10" | 11' 2" | 9' 6" | 7' 3" |
| 600S162-43 | 33 | 13' 7" | 12' 0" | 9' 9" | 13' 10" | 12' 0" | 9' 9" | 12' 4" | 11' 2" | 9' 9" | 13' 10" | 12' 0" | 9' 9" |
| 600S162-43 (50) | 50 | 13' 7" | 12' 4" | 10' 9" | 15' 3" | 13' 4" | 10' 10" | 12' 4" | 11' 2" | 9' 9" | 13' 10" | 12' 7" | 10' 10" |
| 600S162-54 | 50 | 14' 7" | 13' 3" | 11' 7" | 16' 4" | 14' 10" | 13' 0" | 13' 3" | 12' 1" | 10' 6" | 14' 10" | 13' 6" | 11' 9" |
| 600S162-68 | 50 | 15' 8" | 14' 2" | 12' 4" | 17' 7" | 16' 0" | 14' 0" | 14' 2" | 12' 10" | 11' 3" | 16' 0" | 14' 6" | 12' 8" |
| 600S162-97 | 50 | 17' 4" | 15' 9" | 13' 9" | 19' 6" | 17' 8" | 15' 6" | 15' 9" | 14' 3" | 12' 6" | 17' 8" | 16' 1" | 14' 1" |
| 600S162-118 | 50 | 18' 3" | 16' 8" | 14' 7" | 20' 7" | 18' 8" | 16' 3" | 16' 8" | 15' 1" | 13' 2" | 18' 8" | 17' 0" | 14' 10" |
| 600S200-33 | 33 | 12' 0" | 10' 4" | 8' 6" | 11' 7" | 9' 8" | 7' 6" | 11' 10" | 10' 4" | 8' 6" | 11' 7" | 9' 8" | 7' 6" |
| 600S200-43 | 33 | 14' 3" | 12' 4" | 10' 1" | 14' 3" | 12' 4" | 10' 0" | 13' 0" | 11' 9" | 10' 1" | 14' 3" | 12' 4" | 10' 0" |
| 600S200-43 (50) | 50 | 14' 3" | 13' 0" | 11' 4" | 16' 1" | 14' 2" | 11' 6" | 13' 0" | 11' 9" | 10' 3" | 14' 7" | 13' 3" | 11' 6" |
| 600S200-54 | 50 | 15' 4" | 14' 0" | 12' 2" | 17' 2" | 15' 8" | 13' 6" | 14' 0" | 12' 8" | 11' 1" | 15' 8" | 14' 2" | 12' 4" |
| 600S200-68 | 50 | 16' 6" | 15' 0" | 13' 1" | 18' 6" | 16' 9" | 14' 8" | 15' 0" | 13' 7" | 11' 10" | 16' 9" | 15' 3" | 13' 3" |
| 600S200-97 | 50 | 18' 3" | 16' 7" | 14' 6" | 20' 6" | 18' 8" | 16' 3" | 16' 7" | 15' 1" | 13' 2" | 18' 8" | 17' 0" | 14' 9" |
| 600S200-118 | 50 | 19' 4" | 17' 7" | 15' 4" | 21' 8" | 19' 8" | 17' 2" | 17' 7" | 16' 0" | 14' 0" | 19' 8" | 17' 10" | 15' 8" |
| 600S250-43 | 33 | 14' 8" | 12' 8" | 10' 4" | 14' 8" | 12' 8" | 10' 2" | 13' 7" | 12' 4" | 10' 4" | 14' 8" | 12' 8" | 10' 2" |
| 600S250-43 (50) | 50 | 14' 9" | 13' 4" | 11' 8" | 16' 7" | 14' 6" | 11' 6" | 13' 4" | 12' 2" | 10' 8" | 15' 1" | 13' 8" | 11' 6" |
| 600S250-54 | 50 | 16' 0" | 14' 7" | 12' 8" | 18' 0" | 16' 3" | 13' 9" | 14' 7" | 13' 2" | 11' 7" | 16' 3" | 14' 9" | 13' 0" |
| 600S250-68 | 50 | 17' 3" | 15' 8" | 13' 8" | 19' 4" | 17' 7" | 15' 4" | 15' 8" | 14' 3" | 12' 6" | 17' 7" | 16' 0" | 14' 0" |
| 600S250-97 | 50 | 19' 2" | 17' 6" | 15' 3" | 21' 7" | 19' 7" | 17' 1" | 17' 6" | 15' 10" | 13' 10" | 19' 7" | 17' 9" | 15' 7" |
| 600S250-118 | 50 | 20' 4" | 18' 6" | 16' 2" | 22' 9" | 20' 9" | 18' 1" | 18' 6" | 16' 9" | 14' 8" | 20' 9" | 18' 10" | 16' 6" |
| 600S300-54 | 50 | 16' 4" | 14' 10" | 13' 0" | 18' 4" | 16' 8" | 14' 0" | 14' 10" | 13' 6" | 11' 9" | 16' 8" | 15' 2" | 13' 3" |
| 600S300-68 | 50 | 17' 9" | 16' 2" | 14' 2" | 20' 0" | 18' 2" | 15' 10" | 16' 2" | 14' 8" | 12' 10" | 18' 2" | 16' 6" | 14' 4" |
| 600S300-97 | 50 | 20' 0" | 18' 2" | 15' 10" | 22' 4" | 20' 4" | 17' 9" | 18' 2" | 16' 6" | 14' 4" | 20' 4" | 18' 6" | 16' 2" |
| 600S300-118 | 50 | 21' 3" | 19' 3" | 16' 10" | 23' 10" | 21' 8" | 18' 10" | 19' 3" | 17' 6" | 15' 3" | 21' 8" | 19' 8" | 17' 2" |
| 800S137-33 | 33 | 12' 0" | 10' 4" | 8' 6" | 10' 9" | 8' 9" | 6' 6" | 12' 0" | 10' 4" | 8' 6" | 10' 9" | 8' 9" | 6' 6" |
| 800S137-43 | 33 | 14' 6" | 12' 7" | 10' 3" | 14' 6" | 12' 4" | 9' 9" | 14' 6" | 12' 7" | 10' 3" | 14' 6" | 12' 4" | 9' 9" |
| 800S137-43 (50) | 50 | 16' 2" | 14' 3" | 11' 8" | 16' 6" | 14' 1" | 11' 0" | 14' 8" | 13' 4" | 11' 8" | 16' 6" | 14' 1" | 11' 0" |
| 800S137-54 | 50 | 17' 7" | 16' 0" | 13' 9" | 19' 6" | 16' 10" | 13' 9" | 16' 0" | 14' 6" | 12' 8" | 17' 10" | 16' 3" | 13' 9" |
| 800S137-68 | 50 | 19' 0" | 17' 3" | 15' 1" | 21' 4" | 16' 2" | 16' 2" | 17' 3" | 15' 8" | 13' 8" | 19' 4" | 17' 7" | 15' 9" |
| 800S137-97 | 50 | 21' 1" | 19' 2" | 16' 8" | 23' 8" | 21' 6" | 18' 9" | 19' 2" | 17' 4" | 15' 2" | 21' 6" | 19' 7" | 17' 1" |
| 800S162-33 | 33 | 13' 0" | 11' 2" | 9' 2" | 11' 2" | 9' 1" | 6' 8" | 13' 0" | 11' 2" | 9' 2" | 11' 2" | 9' 1" | 6' 8" |
| 800S162-43 | 33 | 15' 7" | 13' 6" | 11' 1" | 15' 4" | 13' 1" | 10' 3" | 15' 6" | 13' 6" | 11' 1" | 15' 4" | 13' 1" | 10' 3" |
| 800S162-43 (50) | 50 | 16' 10" | 15' 4" | 12' 7" | 17' 2" | 14' 7" | 11' 3" | 15' 4" | 13' 10" | 12' 2" | 17' 2" | 14' 7" | 11' 3" |
| 800S162-54 | 50 | 18' 3" | 16' 7" | 14' 6" | 20' 6" | 18' 1" | 14' 9" | 16' 7" | 15' 1" | 13' 2" | 18' 8" | 17' 0" | 14' 9" |
| 800S162-68 | 50 | 19' 9" | 18' 0" | 15' 8" | 22' 2" | 20' 2" | 17' 3" | 18' 0" | 16' 3" | 14' 3" | 20' 2" | 18' 0" | 16' 0" |
| 800S162-97 | 50 | 22' 0" | 20' 0" | 17' 4" | 24' 8" | 22' 4" | 19' 7" | 20' 0" | 18' 1" | 15' 9" | 22' 4" | 20' 4" | 17' 9" |
| 800S162-118 | 50 | 23' 3" | 21' 1" | 18' 6" | 26' 1" | 23' 8" | 20' 8" | 21' 1" | 19' 2" | 16' 9" | 23' 8" | 21' 6" | 18' 9" |
| 800S200-43 | 33 | 16' 8" | 14' 6" | 11' 9" | 16' 8" | 14' 6" | 11' 3" | 16' 3" | 14' 6" | 11' 9" | 16' 8" | 14' 6" | 11' 3" |
| 800S200-43 (50) | 50 | 18' 0" | 16' 3" | 13' 6" | 18' 9" | 15' 9" | 12' 1" | 16' 3" | 14' 9" | 13' 0" | 18' 3" | 15' 9" | 12' 1" |
| 800S200-54 | 50 | 19' 3" | 17' 6" | 15' 3" | 21' 8" | 19' 3" | 15' 9" | 17' 6" | 15' 10" | 13' 10" | 19' 8" | 17' 10" | 15' 7" |
| 800S200-68 | 50 | 20' 8" | 18' 9" | 16' 4" | 23' 3" | 21' 1" | 18' 6" | 18' 9" | 17' 1" | 14' 10" | 21' 1" | 19' 2" | 16' 9" |
| 800S200-97 | 50 | 23' 0" | 20' 10" | 18' 3" | 25' 10" | 23' 6" | 20' 6" | 20' 10" | 19' 0" | 16' 7" | 23' 6" | 21' 4" | 18' 8" |
| 800S200-118 | 50 | 24' 4" | 22' 2" | 19' 4" | 27' 4" | 24' 10" | 21' 8" | 22' 2" | 20' 2" | 17' 7" | 24' 10" | 22' 7" | 19' 9" |
| 800S250-43 | 33 | 17' 2" | 14' 10" | 12' 1" | 17' 2" | 14' 7" | 11' 3" | 17' 0" | 14' 10" | 12' 1" | 17' 2" | 14' 7" | 11' 3" |
| 800S250-43 (50) | 50 | 18' 6" | 16' 9" | 13' 9" | 18' 10" | 15' 10" | 12' 2" | 16' 9" | 15' 3" | 13' 3" | 18' 10" | 15' 10" | 12' 2" |
| 800S250-54 | 50 | 20' 0" | 18' 2" | 15' 10" | 22' 6" | 19' 9" | 16' 2" | 18' 2" | 16' 6" | 14' 4" | 20' 4" | 18' 7" | 16' 2" |
| 800S250-68 | 50 | 21' 7" | 19' 8" | 17' 2" | 24' 3" | 22' 1" | 18' 10" | 19' 8" | 17' 10" | 15' 7" | 22' 1" | 20' 0" | 17' 6" |
| 800S250-97 | 50 | 24' 1" | 21' 10" | 19' 1" | 27' 0" | 24' 7" | 21' 6" | 21' 10" | 19' 10" | 17' 4" | 24' 7" | 22' 3" | 19' 6" |
| 800S250-118 | 50 | 25' 6" | 23' 2" | 20' 3" | 28' 8" | 26' 0" | 22' 9" | 23' 2" | 21' 1" | 18' 4" | 26' 0" | 23' 8" | 20' 8" |
| 800S300-54 | 50 | 20' 4" | 18' 7" | 16' 2" | 22' 10" | 20' 1" | 16' 4" | 18' 7" | 16' 10" | 14' 8" | 20' 9" | 18' 10" | 16' 4" |
| 800S300-68 | 50 | 22' 3" | 20' 2" | 17' 8" | 25' 0" | 22' 8" | 19' 2" | 20' 2" | 18' 4" | 16' 0" | 22' 8" | 20' 7" | 18' 0" |
| 800S300-97 | 50 | 25' 0" | 22' 8" | 19' 9" | 28' 0" | 25' 6" | 22' 2" | 22' 8" | 20' 7" | 18' 0" | 25' 6" | 23' 1" | 20' 2" |
| 800S300-118 | 50 | 26' 7" | 24' 1" | 21' 1" | 29' 9" | 27' 1" | 23' 8" | 24' 1" | 21' 10" | 19' 2" | 27' 1" | 24' 7" | 21' 6" |
| 1000S162-33 | 33 | 14' 3" | 11' 3" | 7' 6" | 10' 7" | 8' 3" | 5' 9" | 14' 3" | 11' 3" | 7' 6" | 10' 7" | 8' 3" | 5' 9" |
| 1000S162-43 | 33 | 17' 3" | 15' 0" | 12' 2" | 16' 4" | 13' 8" | 10' 4" | 17' 3" | 15' 0" | 12' 2" | 16' 4" | 13' 8" | 10' 4" |
| 1000S162-43 (50) | 50 | 19' 7" | 17' 0" | 13' 10" | 18' 0" | 14' 10" | 11' 1" | 18' 2" | 16' 6" | 13' 10" | 18' 0" | 14' 10" | 11' 1" |
| 1000S162-54 | 50 | 21' 8" | 19' 9" | 16' 4" | 23' 2" | 20' 1" | 15' 10" | 19' 9" | 17' 10" | 15' 8" | 22' 2" | 20' 1" | 15' 10" |
| 1000S162-68 | 50 | 23' 7" | 21' 4" | 18' 8" | 26' 6" | 23' 8" | 19' 4" | 21' 4" | 19' 6" | 17' 0" | 24' 1" | 21' 10" | 19' 1" |
| 1000S162-97 | 50 | 26' 6" | 24' 0" | 21' 0" | 29' 8" | 27' 0" | 23' 7" | 24' 0" | 21' 9" | 19' 1" | 27' 0" | 24' 6" | 21' 4" |
| 1000S162-118 | 50 | 28' 0" | 25' 6" | 22' 3" | 31' 6" | 28' 7" | 25' 0" | 25' 6" | 23' 1" | 20' 2" | 28' 7" | 26' 0" | 22' 8" |
| 1000S200-43 | 33 | 18' 8" | 16' 2" | 13' 2" | 17' 2" | 14' 3" | 10' 8" | 18' 8" | 16' 2" | 13' 2" | 17' 2" | 14' 3" | 10' 8" |
| 1000S200-43 (50) | 50 | 20' 10" | 18' 4" | 15' 0" | 18' 10" | 15' 6" | 11' 4" | 19' 0" | 17' 3" | 15' 0" | 18' 10" | 15' 6" | 11' 4" |
| 1000S200-54 | 50 | 22' 8" | 20' 7" | 17' 7" | 24' 7" | 20' 10" | 16' 4" | 20' 7" | 18' 9" | 16' 4" | 23' 2" | 20' 10" | 16' 4" |
| 1000S200-68 | 50 | 24' 7" | 22' 4" | 19' 7" | 27' 8" | 25' 1" | 20' 8" | 22' 4" | 20' 3" | 17' 9" | 25' 1" | 22' 9" | 19' 10" |
| 1000S200-97 | 50 | 27' 7" | 25' 1" | 21' 10" | 31' 0" | 28' 2" | 24' 7" | 25' 1" | 22' 9" | 19' 10" | 28' 2" | 25' 7" | 22' 4" |
| 1000S200-118 | 50 | 29' 3" | 26' 7" | 23' 3" | 32' 10" | 29' 10" | 26' 1" | 26' 7" | 24' 2" | 21' 1" | 29' 10" | 27' 2" | 23' 8" |

NOTE: See page 43 for Table Notes.

FLOOR JOIST SPANS

10 psf Dead Load and 40 psf Live Load

| MEMBER | F _y (ksi) | LIVE LOAD DEFLECTION L/360 | | | | | | LIVE LOAD DEFLECTION L/480 | | | | | |
|------------------|-------------------------|----------------------------|---------|---------|--------------------------|---------|---------|----------------------------|---------|---------|--------------------------|---------|---------|
| | | SINGLE SPAN | | | TWO EQUAL SPANS | | | SINGLE SPAN | | | TWO EQUAL SPANS | | |
| | | JOIST SPACING (in.) o.c. | | | JOIST SPACING (in.) o.c. | | | JOIST SPACING (in.) o.c. | | | JOIST SPACING (in.) o.c. | | |
| | | 12 | 16 | 24 | 12 | 16 | 24 | 12 | 16 | 24 | 12 | 16 | 24 |
| 1000S250-43 | 33 | 19' 2" | 16' 7" | 13' 7" | 17' 9" | 14' 8" | 11' 0" | 19' 2" | 16' 7" | 13' 7" | 17' 9" | 14' 8" | 11' 0" |
| 1000S250-43 (50) | 50 | 21' 9" | 18' 9" | 15' 4" | 19' 3" | 15' 9" | 11' 7" | 19' 9" | 18' 0" | 15' 4" | 19' 3" | 15' 9" | 11' 7" |
| 1000S250-54 | 50 | 23' 10" | 21' 8" | 18' 1" | 25' 7" | 21' 8" | 17' 0" | 21' 8" | 19' 8" | 17' 2" | 24' 4" | 21' 8" | 17' 0" |
| 1000S250-68 | 50 | 25' 9" | 23' 6" | 20' 6" | 29' 0" | 26' 1" | 21' 3" | 23' 6" | 21' 3" | 18' 7" | 26' 3" | 23' 10" | 20' 10" |
| 1000S250-97 | 50 | 28' 9" | 26' 2" | 22' 9" | 32' 3" | 29' 4" | 25' 7" | 26' 2" | 23' 9" | 20' 9" | 29' 4" | 26' 8" | 23' 3" |
| 1000S250-118 | 50 | 30' 6" | 27' 9" | 24' 2" | 34' 3" | 31' 2" | 27' 2" | 27' 9" | 25' 2" | 22' 0" | 31' 2" | 28' 3" | 24' 8" |
| 1000S300-54 | 50 | 24' 3" | 22' 1" | 18' 4" | 25' 9" | 21' 9" | 17' 1" | 22' 1" | 20' 1" | 17' 6" | 24' 9" | 21' 9" | 17' 1" |
| 1000S300-68 | 50 | 26' 6" | 24' 1" | 21' 0" | 29' 8" | 26' 6" | 21' 8" | 24' 1" | 21' 10" | 19' 1" | 27' 0" | 24' 6" | 21' 4" |
| 1000S300-97 | 50 | 29' 9" | 27' 0" | 23' 7" | 33' 4" | 30' 3" | 26' 6" | 27' 0" | 24' 7" | 21' 6" | 30' 3" | 27' 7" | 24' 1" |
| 1000S300-118 | 50 | 31' 8" | 28' 9" | 25' 1" | 35' 7" | 32' 3" | 28' 2" | 28' 9" | 26' 2" | 22' 9" | 32' 3" | 29' 4" | 25' 7" |
| 1000S350-54 | 50 | 25' 8" | 23' 3" | 20' 4" | 28' 1" | 23' 8" | 18' 3" | 23' 3" | 21' 2" | 18' 6" | 26' 2" | 23' 8" | 18' 3" |
| 1000S350-68 | 50 | 28' 0" | 25' 6" | 22' 2" | 31' 4" | 28' 7" | 24' 0" | 25' 6" | 23' 1" | 20' 2" | 28' 7" | 26' 0" | 22' 8" |
| 1000S350-97 | 50 | 31' 3" | 28' 6" | 24' 10" | 35' 2" | 32' 0" | 27' 10" | 28' 6" | 25' 10" | 22' 7" | 32' 0" | 29' 0" | 25' 4" |
| 1000S350-118 | 50 | 33' 3" | 30' 2" | 26' 4" | 37' 4" | 34' 0" | 29' 8" | 30' 2" | 27' 6" | 24' 0" | 34' 0" | 30' 9" | 26' 10" |
| 1200S162-43 | 33 | 18' 7" | 16' 1" | 13' 2" | 16' 7" | 13' 6" | 9' 9" | 18' 7" | 16' 1" | 13' 2" | 16' 7" | 13' 6" | 9' 9" |
| 1200S162-43 (50) | 50 | 21' 0" | 18' 2" | 13' 10" | 17' 9" | 14' 3" | 10' 2" | 20' 10" | 18' 2" | 13' 10" | 17' 9" | 14' 3" | 10' 2" |
| 1200S162-54 | 50 | 25' 0" | 21' 7" | 17' 8" | 25' 0" | 21' 0" | 16' 1" | 22' 8" | 20' 7" | 17' 8" | 25' 0" | 21' 0" | 16' 1" |
| 1200S162-68 | 50 | 27' 2" | 24' 8" | 21' 0" | 29' 8" | 25' 8" | 21' 0" | 24' 8" | 22' 6" | 19' 7" | 27' 9" | 25' 2" | 21' 0" |
| 1200S162-97 | 50 | 30' 9" | 28' 0" | 24' 6" | 34' 7" | 31' 4" | 27' 2" | 28' 0" | 25' 6" | 22' 7" | 31' 4" | 28' 7" | 25' 0" |
| 1200S162-118 | 50 | 32' 8" | 29' 9" | 26' 0" | 36' 9" | 33' 4" | 29' 2" | 29' 9" | 27' 0" | 23' 7" | 33' 4" | 30' 3" | 26' 6" |
| 1200S200-54 | 50 | 26' 1" | 23' 4" | 19' 1" | 25' 10" | 21' 8" | 16' 6" | 23' 8" | 21' 6" | 18' 9" | 25' 10" | 21' 8" | 16' 6" |
| 1200S200-68 | 50 | 28' 4" | 25' 9" | 22' 6" | 31' 10" | 27' 8" | 22' 7" | 25' 9" | 23' 4" | 20' 3" | 28' 4" | 25' 9" | 22' 6" |
| 1200S200-97 | 50 | 32' 1" | 29' 2" | 25' 6" | 36' 0" | 32' 8" | 28' 7" | 29' 2" | 26' 6" | 23' 2" | 32' 8" | 29' 8" | 26' 0" |
| 1200S200-118 | 50 | 34' 1" | 31' 0" | 27' 1" | 38' 3" | 34' 9" | 30' 4" | 31' 0" | 28' 2" | 24' 7" | 34' 9" | 31' 7" | 27' 7" |
| 1200S250-54 | 50 | 27' 2" | 24' 2" | 19' 8" | 26' 2" | 21' 10" | 16' 8" | 24' 8" | 22' 6" | 19' 7" | 26' 2" | 21' 10" | 16' 8" |
| 1200S250-68 | 50 | 29' 7" | 26' 10" | 23' 3" | 33' 0" | 28' 6" | 22' 8" | 26' 10" | 24' 4" | 21' 3" | 30' 2" | 27' 4" | 22' 8" |
| 1200S250-97 | 50 | 33' 4" | 30' 3" | 26' 6" | 37' 6" | 34' 0" | 29' 8" | 30' 3" | 27' 6" | 24' 1" | 34' 0" | 30' 10" | 27' 0" |
| 1200S250-118 | 50 | 35' 4" | 32' 2" | 28' 1" | 39' 9" | 36' 1" | 31' 7" | 32' 2" | 29' 3" | 25' 7" | 36' 1" | 32' 9" | 28' 8" |
| 1200S300-54 | 50 | 28' 2" | 24' 7" | 20' 1" | 26' 9" | 22' 4" | 17' 0" | 25' 7" | 23' 2" | 20' 1" | 26' 9" | 22' 4" | 17' 0" |
| 1200S300-68 | 50 | 30' 8" | 27' 10" | 23' 9" | 33' 7" | 29' 1" | 23' 8" | 27' 10" | 25' 4" | 22' 1" | 31' 3" | 28' 6" | 23' 8" |
| 1200S300-97 | 50 | 34' 6" | 31' 4" | 27' 4" | 38' 8" | 35' 2" | 30' 8" | 31' 4" | 28' 6" | 24' 10" | 35' 2" | 32' 0" | 27' 10" |
| 1200S300-118 | 50 | 36' 8" | 33' 3" | 29' 1" | 41' 2" | 37' 4" | 32' 8" | 33' 3" | 30' 3" | 26' 4" | 37' 4" | 34' 0" | 29' 8" |
| 1200S350-54 | 50 | 29' 7" | 26' 10" | 22' 6" | 29' 0" | 24' 0" | 18' 0" | 26' 10" | 24' 6" | 21' 4" | 29' 0" | 24' 0" | 18' 0" |
| 1200S350-68 | 50 | 32' 4" | 29' 4" | 25' 8" | 36' 3" | 32' 4" | 25' 8" | 29' 4" | 26' 8" | 23' 3" | 33' 0" | 30' 0" | 25' 8" |
| 1200S350-97 | 50 | 36' 2" | 32' 10" | 28' 8" | 40' 7" | 36' 10" | 32' 2" | 32' 10" | 29' 9" | 26' 1" | 36' 10" | 33' 6" | 29' 3" |
| 1200S350-118 | 50 | 38' 4" | 34' 10" | 30' 6" | 43' 2" | 39' 2" | 34' 2" | 34' 10" | 31' 8" | 27' 8" | 39' 2" | 35' 7" | 31' 1" |
| 1400S162-54 | 50 | 26' 4" | 22' 9" | 18' 7" | 25' 8" | 21' 1" | 15' 8" | 25' 7" | 22' 9" | 18' 7" | 25' 8" | 21' 1" | 15' 8" |
| 1400S162-68 | 50 | 30' 8" | 27' 3" | 22' 3" | 31' 6" | 27' 3" | 22' 3" | 27' 10" | 25' 3" | 22' 1" | 31' 3" | 27' 3" | 22' 3" |
| 1400S162-97 | 50 | 34' 10" | 31' 8" | 27' 8" | 39' 2" | 35' 7" | 29' 2" | 31' 8" | 28' 9" | 25' 2" | 35' 7" | 32' 4" | 28' 3" |
| 1400S162-118 | 50 | 37' 4" | 34' 0" | 29' 8" | 42' 0" | 38' 2" | 33' 3" | 34' 0" | 30' 10" | 27' 0" | 38' 2" | 34' 8" | 30' 3" |
| 1400S200-54 | 50 | 28' 8" | 24' 9" | 20' 3" | 26' 4" | 21' 8" | 16' 0" | 26' 7" | 24' 2" | 20' 3" | 26' 4" | 21' 8" | 16' 0" |
| 1400S200-68 | 50 | 31' 10" | 29' 0" | 24' 1" | 34' 1" | 29' 6" | 23' 4" | 29' 0" | 26' 4" | 23' 0" | 29' 0" | 26' 4" | 23' 4" |
| 1400S200-97 | 50 | 36' 3" | 33' 0" | 28' 9" | 40' 8" | 37' 0" | 31' 3" | 33' 0" | 30' 0" | 26' 2" | 37' 0" | 33' 7" | 29' 4" |
| 1400S200-118 | 50 | 38' 10" | 35' 3" | 30' 9" | 43' 7" | 39' 7" | 34' 7" | 35' 3" | 32' 1" | 28' 0" | 39' 7" | 36' 0" | 31' 6" |
| 1400S250-54 | 50 | 29' 9" | 25' 9" | 21' 1" | 26' 8" | 21' 10" | 16' 1" | 27' 7" | 25' 1" | 21' 0" | 26' 8" | 21' 10" | 16' 1" |
| 1400S250-68 | 50 | 33' 2" | 30' 2" | 25' 0" | 35' 4" | 30' 0" | 23' 6" | 30' 2" | 27' 4" | 23' 10" | 33' 10" | 30' 0" | 23' 6" |
| 1400S250-97 | 50 | 37' 8" | 34' 2" | 29' 10" | 42' 3" | 38' 4" | 32' 6" | 34' 2" | 31' 1" | 27' 2" | 38' 4" | 34' 10" | 30' 6" |
| 1400S250-118 | 50 | 40' 2" | 36' 7" | 31' 10" | 45' 2" | 41' 0" | 35' 10" | 36' 7" | 33' 2" | 29' 0" | 41' 0" | 37' 3" | 32' 7" |
| 1400S300-54 | 50 | 30' 6" | 26' 4" | 21' 7" | 26' 10" | 22' 0" | 16' 2" | 28' 1" | 25' 7" | 21' 7" | 26' 10" | 22' 0" | 16' 2" |
| 1400S300-68 | 50 | 34' 1" | 31' 0" | 25' 7" | 35' 9" | 30' 4" | 23' 9" | 31' 0" | 28' 2" | 24' 7" | 34' 9" | 30' 4" | 23' 9" |
| 1400S300-97 | 50 | 38' 10" | 35' 4" | 30' 10" | 43' 8" | 39' 8" | 33' 2" | 35' 4" | 32' 1" | 28' 1" | 39' 8" | 36' 1" | 31' 6" |
| 1400S300-118 | 50 | 41' 6" | 37' 9" | 33' 0" | 46' 7" | 42' 4" | 37' 0" | 37' 9" | 34' 3" | 30' 0" | 42' 4" | 38' 6" | 33' 7" |
| 1400S350-54 | 50 | 33' 0" | 29' 8" | 23' 6" | 28' 10" | 23' 4" | 16' 10" | 30' 0" | 27' 3" | 23' 6" | 28' 10" | 23' 4" | 16' 10" |
| 1400S350-68 | 50 | 36' 7" | 33' 2" | 28' 7" | 40' 0" | 33' 8" | 26' 1" | 33' 2" | 30' 2" | 26' 4" | 37' 3" | 33' 8" | 26' 1" |
| 1400S350-97 | 50 | 40' 10" | 37' 1" | 32' 4" | 45' 10" | 41' 8" | 36' 4" | 37' 1" | 33' 8" | 29' 6" | 41' 8" | 37' 10" | 33' 1" |
| 1400S350-118 | 50 | 43' 6" | 39' 6" | 34' 6" | 48' 9" | 44' 3" | 38' 8" | 39' 6" | 35' 10" | 31' 3" | 44' 3" | 40' 3" | 35' 2" |
| 1600S162-68 | 50 | 33' 0" | 28' 7" | 23' 4" | 33' 0" | 28' 7" | 22' 9" | 30' 10" | 28' 1" | 23' 4" | 33' 0" | 28' 7" | 22' 9" |
| 1600S162-97 | 50 | 38' 10" | 35' 3" | 30' 10" | 43' 7" | 37' 9" | 30' 10" | 35' 3" | 32' 1" | 28' 0" | 39' 8" | 36' 0" | 30' 10" |
| 1600S162-118 | 50 | 41' 9" | 37' 10" | 33' 1" | 46' 10" | 42' 7" | 35' 10" | 37' 10" | 34' 6" | 30' 1" | 42' 7" | 38' 8" | 33' 9" |
| 1600S200-68 | 50 | 35' 4" | 31' 0" | 25' 3" | 35' 9" | 30' 9" | 23' 8" | 32' 2" | 29' 2" | 25' 3" | 35' 9" | 30' 9" | 23' 8" |
| 1600S200-97 | 50 | 40' 4" | 36' 8" | 32' 0" | 45' 3" | 40' 7" | 33' 2" | 36' 8" | 33' 3" | 29' 1" | 41' 2" | 37' 4" | 32' 8" |
| 1600S200-118 | 50 | 43' 3" | 39' 3" | 34' 4" | 48' 7" | 44' 2" | 38' 6" | 39' 3" | 35' 9" | 31' 2" | 44' 2" | 40' 1" | 35' 1" |
| 1600S250-68 | 50 | 36' 8" | 32' 4" | 26' 4" | 36' 9" | 30' 10" | 23' 9" | 33' 3" | 30' 3" | 26' 4" | 36' 9" | 30' 10" | 23' 9" |
| 1600S250-97 | 50 | 41' 9" | 37' 10" | 33' 1" | 46' 10" | 42' 3" | 34' 6" | 37' 10" | 34' 6" | 30' 1" | 42' 7" | 38' 8" | 33' 9" |
| 1600S250-118 | 50 | 44' 9" | 40' 8" | 35' 6" | 50' 3" | 45' 8" | 39' 10" | 40' 8" | 37' 0" | 32' 3" | 45' 8" | 41' 6" | 36' 2" |
| 1600S300-68 | 50 | 37' 6" | 33' 3" | 27' 2" | 37' 2" | 31' 3" | 24' 0" | 34' 1" | 31' 0" | 27' 1" | 37' 2" | 31' 3" | 24' 0" |
| 1600S300-97 | 50 | 43' 0" | 39' 1" | 34' 1" | 48' 3" | 43' 4" | 35' 4" | 39' 1" | 35' 6" | 31' 0" | 43' 10" | 39' 10" | 34' 9" |
| 1600S300-118 | 50 | 46' 2" | 42' 0" | 36' 8" | 51' 10" | 47' 1" | 41' 1" | 42' 0" | 38' 1" | 33' 3" | 47' 1" | 42' 9" | 37' 4" |
| 1600S350-68 | 50 | 39' 7" | 36' 0" | 30' 4" | 40' 4" | 33' 8" | 25' 7" | 36' 0" | 32' 8" | 28' 7" | 40' 4" | 33' 8" | 25' 7" |
| 1600S350-97 | 50 | 45' 0" | 40' 10" | 35' 9" | 50' 7" | 45' 10" | 39' 1" | 40' 10" | 37' 2" | 32' 6" | 45' 10" | 41' 8" | 36' 6" |
| 1600S350-118 | 50 | 48' 3" | 43' 9" | 38' 3" | 54' 2" | 49' 2" | 43' 0" | 43' 9" | 39' 9" | 34' 9" | 49' 2" | 44' 8" | 39' 1" |

FLOOR JOIST SPANS

10 psf Dead Load and 50 psf Live Load

| MEMBER | F _y (ksi) | LIVE LOAD DEFLECTION L/360 | | | | | | LIVE LOAD DEFLECTION L/480 | | | | | |
|------------------|-------------------------|----------------------------|---------|---------|--------------------------|---------|---------|----------------------------|---------|---------|--------------------------|---------|---------|
| | | SINGLE SPAN | | | TWO EQUAL SPANS | | | SINGLE SPAN | | | TWO EQUAL SPANS | | |
| | | JOIST SPACING (in.) o.c. | | | JOIST SPACING (in.) o.c. | | | JOIST SPACING (in.) o.c. | | | JOIST SPACING (in.) o.c. | | |
| | | 12 | 16 | 24 | 12 | 16 | 24 | 12 | 16 | 24 | 12 | 16 | 24 |
| 600S137-33 | 33 | 9' 6" | 8' 3" | 6' 8" | 9' 2" | 7' 8" | 6' 0" | 9' 6" | 8' 3" | 6' 8" | 9' 2" | 7' 8" | 6' 0" |
| 600S137-43 | 33 | 11' 6" | 9' 10" | 8' 1" | 11' 6" | 9' 10" | 7' 10" | 11' 0" | 9' 10" | 8' 1" | 11' 6" | 9' 10" | 7' 10" |
| 600S137-43 (50) | 50 | 12' 1" | 11' 0" | 9' 3" | 13' 1" | 11' 3" | 9' 0" | 11' 0" | 10' 0" | 8' 8" | 12' 3" | 11' 2" | 9' 0" |
| 600S137-54 | 50 | 13' 0" | 11' 9" | 10' 3" | 14' 7" | 13' 3" | 10' 9" | 11' 9" | 10' 8" | 9' 4" | 13' 3" | 12' 1" | 10' 6" |
| 600S137-68 | 50 | 13' 10" | 12' 8" | 11' 1" | 15' 7" | 14' 2" | 12' 4" | 12' 8" | 11' 6" | 10' 0" | 14' 2" | 12' 10" | 11' 3" |
| 600S137-97 | 50 | 15' 4" | 14' 0" | 12' 2" | 17' 3" | 15' 8" | 13' 8" | 14' 0" | 12' 8" | 11' 1" | 15' 8" | 14' 3" | 12' 6" |
| 600S162-33 | 33 | 10' 3" | 8' 10" | 7' 3" | 10' 1" | 8' 4" | 6' 4" | 10' 3" | 8' 10" | 7' 3" | 10' 1" | 8' 4" | 6' 4" |
| 600S162-43 | 33 | 12' 7" | 11' 0" | 9' 0" | 12' 8" | 11' 0" | 8' 9" | 11' 6" | 10' 4" | 9' 0" | 12' 8" | 11' 0" | 8' 9" |
| 600S162-43 (50) | 50 | 12' 7" | 11' 6" | 10' 0" | 14' 1" | 12' 2" | 9' 8" | 11' 6" | 10' 4" | 9' 1" | 12' 10" | 11' 8" | 9' 8" |
| 600S162-54 | 50 | 13' 7" | 12' 3" | 10' 9" | 15' 2" | 13' 9" | 12' 0" | 12' 3" | 11' 2" | 9' 9" | 13' 9" | 12' 7" | 11' 0" |
| 600S162-68 | 50 | 14' 7" | 13' 2" | 11' 6" | 16' 3" | 14' 9" | 13' 0" | 13' 2" | 12' 0" | 10' 6" | 14' 9" | 13' 6" | 11' 9" |
| 600S162-97 | 50 | 16' 1" | 14' 8" | 12' 9" | 18' 1" | 16' 4" | 14' 4" | 14' 8" | 13' 3" | 11' 7" | 16' 4" | 14' 10" | 13' 1" |
| 600S162-118 | 50 | 17' 0" | 15' 6" | 13' 6" | 19' 1" | 17' 4" | 15' 2" | 15' 6" | 14' 1" | 12' 3" | 17' 4" | 15' 9" | 13' 9" |
| 600S200-33 | 33 | 10' 10" | 9' 6" | 7' 8" | 10' 4" | 8' 8" | 6' 7" | 10' 10" | 9' 6" | 7' 8" | 10' 4" | 8' 8" | 6' 7" |
| 600S200-43 | 33 | 13' 1" | 11' 3" | 9' 2" | 13' 1" | 11' 3" | 9' 0" | 12' 1" | 11' 0" | 9' 2" | 13' 1" | 11' 3" | 9' 0" |
| 600S200-43 (50) | 50 | 13' 3" | 12' 1" | 10' 6" | 14' 10" | 13' 0" | 10' 3" | 12' 1" | 11' 0" | 9' 7" | 13' 6" | 12' 3" | 10' 3" |
| 600S200-54 | 50 | 14' 3" | 13' 0" | 11' 3" | 16' 0" | 14' 6" | 12' 2" | 13' 0" | 11' 9" | 10' 3" | 14' 6" | 13' 2" | 11' 6" |
| 600S200-68 | 50 | 15' 3" | 13' 10" | 12' 1" | 17' 2" | 15' 7" | 13' 7" | 13' 10" | 12' 7" | 11' 0" | 15' 7" | 14' 2" | 12' 4" |
| 600S200-97 | 50 | 17' 0" | 15' 4" | 13' 6" | 19' 1" | 17' 3" | 15' 1" | 15' 4" | 14' 0" | 12' 3" | 17' 3" | 15' 8" | 13' 9" |
| 600S200-118 | 50 | 18' 0" | 16' 3" | 14' 3" | 20' 2" | 18' 3" | 16' 0" | 16' 3" | 14' 9" | 13' 0" | 18' 3" | 16' 8" | 14' 6" |
| 600S250-43 | 33 | 13' 4" | 11' 7" | 9' 6" | 13' 4" | 11' 7" | 9' 2" | 12' 7" | 11' 6" | 9' 6" | 13' 4" | 11' 7" | 9' 2" |
| 600S250-43 (50) | 50 | 13' 8" | 12' 6" | 10' 9" | 15' 3" | 13' 2" | 10' 3" | 12' 6" | 11' 3" | 9' 10" | 14' 0" | 12' 8" | 10' 3" |
| 600S250-54 | 50 | 14' 10" | 13' 6" | 11' 9" | 16' 8" | 15' 2" | 12' 6" | 13' 6" | 12' 3" | 10' 8" | 15' 2" | 13' 9" | 12' 0" |
| 600S250-68 | 50 | 16' 0" | 14' 7" | 12' 8" | 18' 0" | 16' 4" | 14' 3" | 14' 7" | 13' 2" | 11' 7" | 16' 4" | 14' 10" | 13' 0" |
| 600S250-97 | 50 | 17' 9" | 16' 2" | 14' 2" | 20' 0" | 18' 2" | 15' 10" | 16' 2" | 14' 8" | 12' 10" | 18' 2" | 16' 6" | 14' 4" |
| 600S250-118 | 50 | 18' 10" | 17' 2" | 15' 0" | 21' 2" | 19' 3" | 16' 9" | 17' 2" | 15' 7" | 13' 7" | 19' 3" | 17' 6" | 15' 3" |
| 600S250-118 | 50 | 15' 2" | 13' 9" | 12' 1" | 17' 1" | 15' 6" | 12' 8" | 13' 9" | 12' 6" | 11' 0" | 15' 6" | 14' 1" | 12' 3" |
| 600S300-68 | 50 | 16' 7" | 15' 0" | 13' 1" | 18' 7" | 16' 10" | 14' 9" | 15' 0" | 13' 8" | 11' 10" | 16' 10" | 15' 3" | 13' 4" |
| 600S300-97 | 50 | 18' 7" | 16' 10" | 14' 8" | 20' 9" | 18' 10" | 16' 6" | 16' 10" | 15' 3" | 13' 4" | 18' 10" | 17' 2" | 15' 0" |
| 600S300-118 | 50 | 19' 8" | 17' 10" | 15' 8" | 22' 1" | 20' 1" | 17' 7" | 17' 10" | 16' 3" | 14' 2" | 20' 1" | 18' 3" | 16' 0" |
| 800S137-33 | 33 | 10' 10" | 9' 4" | 7' 8" | 9' 6" | 7' 8" | 5' 7" | 10' 10" | 9' 4" | 7' 8" | 9' 6" | 7' 8" | 5' 7" |
| 800S137-43 | 33 | 13' 2" | 11' 6" | 9' 4" | 13' 2" | 11' 2" | 8' 9" | 13' 2" | 11' 6" | 9' 4" | 13' 2" | 11' 2" | 8' 9" |
| 800S137-43 (50) | 50 | 15' 1" | 13' 0" | 10' 8" | 15' 0" | 12' 7" | 9' 8" | 13' 8" | 12' 4" | 10' 8" | 15' 0" | 12' 7" | 9' 8" |
| 800S137-54 | 50 | 16' 3" | 14' 9" | 12' 7" | 17' 9" | 15' 4" | 12' 7" | 14' 9" | 13' 6" | 11' 9" | 16' 8" | 15' 1" | 12' 7" |
| 800S137-68 | 50 | 17' 8" | 16' 0" | 14' 0" | 19' 9" | 18' 0" | 14' 9" | 16' 0" | 14' 7" | 12' 8" | 18' 0" | 16' 4" | 14' 3" |
| 800S137-97 | 50 | 19' 7" | 17' 9" | 15' 6" | 22' 0" | 20' 0" | 17' 6" | 17' 9" | 16' 2" | 14' 1" | 20' 0" | 18' 1" | 15' 10" |
| 800S162-33 | 33 | 11' 9" | 10' 3" | 7' 10" | 9' 10" | 8' 0" | 5' 8" | 11' 9" | 10' 3" | 7' 10" | 9' 10" | 8' 0" | 5' 8" |
| 800S162-43 | 33 | 14' 3" | 12' 4" | 10' 1" | 13' 10" | 11' 9" | 9' 2" | 14' 3" | 12' 4" | 10' 1" | 13' 10" | 11' 9" | 9' 2" |
| 800S162-43 (50) | 50 | 15' 8" | 14' 1" | 11' 6" | 15' 6" | 13' 0" | 10' 0" | 14' 2" | 12' 10" | 11' 3" | 15' 6" | 13' 0" | 10' 0" |
| 800S162-54 | 50 | 17' 0" | 15' 4" | 13' 6" | 19' 1" | 16' 6" | 13' 4" | 15' 4" | 14' 0" | 12' 3" | 17' 3" | 15' 8" | 13' 4" |
| 800S162-68 | 50 | 18' 4" | 16' 8" | 14' 7" | 20' 7" | 18' 8" | 15' 9" | 16' 8" | 15' 2" | 13' 2" | 18' 8" | 17' 0" | 14' 10" |
| 800S162-97 | 50 | 20' 4" | 18' 6" | 16' 2" | 22' 10" | 20' 9" | 18' 2" | 18' 6" | 16' 9" | 14' 8" | 20' 9" | 18' 10" | 16' 6" |
| 800S162-118 | 50 | 21' 7" | 19' 7" | 17' 1" | 24' 2" | 22' 0" | 19' 2" | 19' 7" | 17' 9" | 15' 7" | 22' 0" | 20' 0" | 17' 6" |
| 800S200-43 | 33 | 15' 3" | 13' 2" | 10' 9" | 15' 3" | 12' 10" | 10' 0" | 15' 3" | 13' 2" | 10' 9" | 15' 3" | 12' 10" | 10' 0" |
| 800S200-43 (50) | 50 | 16' 8" | 15' 1" | 12' 3" | 16' 9" | 14' 1" | 10' 8" | 15' 1" | 13' 9" | 12' 0" | 16' 9" | 14' 1" | 10' 8" |
| 800S200-54 | 50 | 17' 10" | 16' 3" | 14' 2" | 20' 1" | 17' 7" | 14' 4" | 16' 3" | 14' 9" | 12' 10" | 18' 3" | 16' 7" | 14' 4" |
| 800S200-68 | 50 | 19' 2" | 17' 6" | 15' 3" | 21' 7" | 19' 7" | 17' 1" | 17' 6" | 15' 10" | 13' 10" | 19' 7" | 17' 9" | 15' 7" |
| 800S200-97 | 50 | 21' 4" | 19' 4" | 17' 0" | 24' 0" | 21' 9" | 19' 1" | 19' 4" | 17' 8" | 15' 4" | 21' 9" | 19' 9" | 17' 3" |
| 800S200-118 | 50 | 22' 8" | 20' 7" | 18' 0" | 25' 4" | 23' 1" | 20' 2" | 20' 7" | 18' 8" | 16' 3" | 23' 1" | 21' 0" | 18' 3" |
| 800S250-43 | 33 | 15' 8" | 13' 7" | 11' 1" | 15' 6" | 13' 0" | 10' 0" | 15' 8" | 13' 7" | 11' 1" | 15' 6" | 13' 0" | 10' 0" |
| 800S250-43 (50) | 50 | 17' 2" | 15' 4" | 12' 7" | 16' 10" | 14' 1" | 10' 8" | 15' 7" | 14' 2" | 12' 4" | 16' 10" | 14' 1" | 10' 8" |
| 800S250-54 | 50 | 18' 7" | 16' 10" | 14' 8" | 20' 10" | 18' 1" | 14' 8" | 16' 10" | 15' 3" | 13' 4" | 19' 0" | 17' 2" | 14' 8" |
| 800S250-68 | 50 | 20' 1" | 18' 2" | 15' 10" | 22' 6" | 20' 6" | 17' 3" | 18' 2" | 16' 7" | 14' 6" | 20' 6" | 18' 7" | 16' 3" |
| 800S250-97 | 50 | 22' 4" | 20' 3" | 17' 8" | 25' 1" | 22' 9" | 19' 10" | 20' 3" | 18' 6" | 16' 1" | 22' 9" | 20' 8" | 18' 1" |
| 800S250-118 | 50 | 23' 8" | 21' 6" | 18' 9" | 26' 7" | 24' 2" | 21' 1" | 21' 6" | 19' 7" | 17' 1" | 24' 2" | 22' 0" | 19' 2" |
| 800S300-54 | 50 | 19' 0" | 17' 2" | 15' 0" | 21' 1" | 18' 3" | 14' 8" | 17' 2" | 15' 8" | 13' 8" | 19' 3" | 17' 7" | 14' 8" |
| 800S300-68 | 50 | 20' 8" | 18' 9" | 16' 4" | 23' 2" | 21' 1" | 17' 7" | 18' 9" | 17' 1" | 14' 10" | 21' 1" | 19' 1" | 16' 8" |
| 800S300-97 | 50 | 23' 2" | 21' 1" | 18' 4" | 26' 0" | 23' 7" | 20' 8" | 21' 1" | 19' 1" | 16' 8" | 23' 7" | 21' 6" | 18' 9" |
| 800S300-118 | 50 | 24' 8" | 22' 4" | 19' 7" | 27' 8" | 25' 2" | 22' 0" | 22' 4" | 20' 4" | 17' 9" | 25' 2" | 22' 10" | 20' 0" |
| 1000S162-33 | 33 | 12' 7" | 9' 4" | 6' 3" | 9' 1" | 7' 1" | 4' 10" | 12' 7" | 9' 4" | 6' 3" | 9' 1" | 7' 1" | 4' 10" |
| 1000S162-43 | 33 | 15' 9" | 13' 8" | 11' 2" | 14' 8" | 12' 1" | 9' 2" | 15' 9" | 13' 8" | 11' 2" | 14' 8" | 12' 1" | 9' 2" |
| 1000S162-43 (50) | 50 | 17' 10" | 15' 6" | 12' 8" | 16' 0" | 13' 1" | 9' 7" | 16' 10" | 15' 3" | 12' 8" | 16' 0" | 13' 1" | 9' 7" |
| 1000S162-54 | 50 | 20' 2" | 18' 3" | 15' 0" | 21' 2" | 18' 1" | 14' 2" | 18' 3" | 16' 8" | 14' 7" | 20' 7" | 18' 1" | 14' 2" |
| 1000S162-68 | 50 | 21' 10" | 19' 10" | 17' 4" | 24' 7" | 21' 8" | 17' 8" | 19' 10" | 18' 1" | 15' 9" | 22' 3" | 20' 3" | 17' 8" |
| 1000S162-97 | 50 | 24' 7" | 22' 3" | 19' 6" | 27' 7" | 25' 1" | 21' 10" | 22' 3" | 20' 3" | 17' 8" | 25' 1" | 22' 9" | 19' 10" |
| 1000S162-118 | 50 | 26' 0" | 23' 7" | 20' 8" | 29' 2" | 26' 6" | 23' 2" | 23' 7" | 21' 6" | 18' 9" | 26' 6" | 24' 1" | 21' 1" |
| 1000S200-43 | 33 | 17' 0" | 14' 9" | 12' 1" | 15' 3" | 12' 7" | 9' 4" | 17' 0" | 14' 9" | 12' 1" | 15' 3" | 12' 7" | 9' 4" |
| 1000S200-43 (50) | 50 | 19' 4" | 16' 9" | 13' 8" | 16' 8" | 13' 7" | 9' 10" | 17' 8" | 16' 0" | 13' 8" | 16' 8" | 13' 7" | 9' 10" |
| 1000S200-54 | 50 | 21' 1" | 19' 2" | 16' 1" | 22' 2" | 18' 8" | 14' 7" | 19' 2" | 17' 4" | 15' 2" | 21' 6" | 18' 8" | 14' 7" |
| 1000S200-68 | 50 | 22' 10" | 20' 9" | 18' 2" | 25' 8" | 23' 2" | 18' 10" | 20' 9" | 18' 10" | 16' 6" | 23' 3" | 21' 2" | 18' 6" |
| 1000S200-97 | 50 | 25' 8" | 23' 3" | 20' 4" | 28' 9" | 26' 2" | 22' 10" | 23' 3" | 21' 2" | 18' 6" | 26' 2" | 23' 9" | 20' 9" |
| 1000S200-118 | 50 | 27' 2" | 24' 8" | 21' 7" | 30' 6" | 27' 9" | 24' 2" | 24' 8" | 22' 6" | 19' 7" | 27' 9" | 25' 2" | 22' 0" |

NOTE: See page 43 for Table Notes.

FLOOR JOIST SPANS

10 psf Dead Load and 50 psf Live Load

| MEMBER | F _y (ksi) | LIVE LOAD DEFLECTION L/360 | | | | | | LIVE LOAD DEFLECTION L/480 | | | | | |
|------------------|-------------------------|----------------------------|---------|---------|--------------------------|---------|---------|----------------------------|---------|---------|--------------------------|---------|---------|
| | | SINGLE SPAN | | | Two Equal Spans | | | SINGLE SPAN | | | TWO EQUAL SPANS | | |
| | | JOIST SPACING (in.) o.c. | | | JOIST SPACING (in.) o.c. | | | JOIST SPACING (in.) o.c. | | | JOIST SPACING (in.) o.c. | | |
| | | 12 | 16 | 24 | 12 | 16 | 24 | 12 | 16 | 24 | 12 | 16 | 24 |
| 1000S250-43 | 33 | 17' 6" | 15' 2" | 12' 4" | 15' 9" | 13' 0" | 9' 7" | 17' 6" | 15' 2" | 12' 4" | 15' 9" | 13' 0" | 9' 7" |
| 1000S250-43 (50) | 50 | 19' 10" | 17' 2" | 13' 10" | 17' 0" | 13' 9" | 10' 0" | 18' 4" | 16' 8" | 13' 10" | 17' 0" | 13' 9" | 10' 0" |
| 1000S250-54 | 50 | 22' 2" | 20' 2" | 16' 6" | 23' 1" | 19' 6" | 15' 1" | 20' 2" | 18' 3" | 16' 0" | 22' 7" | 19' 6" | 15' 1" |
| 1000S250-68 | 50 | 24' 0" | 21' 9" | 19' 0" | 26' 10" | 23' 9" | 19' 6" | 21' 9" | 19' 9" | 17' 3" | 24' 4" | 22' 2" | 19' 4" |
| 1000S250-97 | 50 | 26' 8" | 24' 3" | 21' 2" | 30' 0" | 27' 3" | 23' 9" | 24' 3" | 22' 1" | 19' 3" | 27' 3" | 24' 9" | 21' 7" |
| 1000S250-118 | 50 | 28' 4" | 25' 9" | 22' 6" | 31' 9" | 28' 10" | 25' 3" | 25' 9" | 23' 4" | 20' 4" | 28' 10" | 26' 3" | 23' 0" |
| 1000S300-54 | 50 | 22' 7" | 20' 6" | 16' 9" | 23' 2" | 19' 7" | 15' 2" | 20' 6" | 18' 7" | 16' 3" | 23' 0" | 19' 7" | 15' 2" |
| 1000S300-68 | 50 | 24' 7" | 22' 3" | 19' 6" | 27' 7" | 24' 2" | 19' 9" | 22' 3" | 20' 3" | 17' 8" | 25' 1" | 22' 9" | 19' 9" |
| 1000S300-97 | 50 | 27' 7" | 25' 1" | 21' 10" | 31' 0" | 28' 2" | 24' 7" | 25' 1" | 22' 9" | 19' 10" | 28' 2" | 25' 7" | 22' 4" |
| 1000S300-118 | 50 | 29' 4" | 26' 8" | 23' 3" | 33' 0" | 30' 0" | 26' 2" | 26' 8" | 24' 3" | 21' 2" | 30' 0" | 27' 3" | 23' 9" |
| 1000S350-54 | 50 | 23' 9" | 21' 8" | 18' 8" | 25' 2" | 21' 2" | 16' 2" | 21' 8" | 19' 8" | 17' 2" | 24' 3" | 21' 2" | 16' 2" |
| 1000S350-68 | 50 | 26' 0" | 23' 7" | 20' 7" | 29' 2" | 26' 6" | 21' 10" | 23' 7" | 21' 6" | 18' 9" | 26' 6" | 24' 1" | 21' 1" |
| 1000S350-97 | 50 | 29' 1" | 26' 4" | 23' 1" | 32' 7" | 29' 8" | 25' 10" | 26' 4" | 24' 0" | 21' 0" | 29' 8" | 26' 10" | 23' 6" |
| 1000S350-118 | 50 | 30' 10" | 28' 1" | 24' 6" | 34' 8" | 31' 6" | 27' 6" | 28' 1" | 25' 6" | 22' 3" | 31' 6" | 28' 7" | 25' 0" |
| 1200S162-43 | 33 | 17' 0" | 14' 8" | 11' 7" | 14' 7" | 11' 9" | 8' 4" | 17' 0" | 14' 8" | 11' 7" | 14' 7" | 11' 9" | 8' 4" |
| 1200S162-43 (50) | 50 | 19' 2" | 16' 7" | 11' 7" | 15' 6" | 12' 3" | 8' 8" | 19' 2" | 16' 7" | 11' 7" | 15' 6" | 12' 3" | 8' 8" |
| 1200S162-54 | 50 | 22' 9" | 19' 8" | 16' 1" | 22' 4" | 18' 8" | 14' 2" | 21' 1" | 19' 2" | 16' 1" | 22' 4" | 18' 8" | 14' 2" |
| 1200S162-68 | 50 | 25' 3" | 23' 0" | 19' 2" | 27' 1" | 23' 6" | 19' 2" | 23' 0" | 20' 10" | 18' 2" | 25' 9" | 23' 4" | 19' 2" |
| 1200S162-97 | 50 | 28' 7" | 26' 0" | 22' 8" | 32' 1" | 29' 2" | 24' 10" | 26' 0" | 23' 7" | 20' 7" | 29' 2" | 26' 6" | 23' 2" |
| 1200S162-118 | 50 | 30' 4" | 27' 7" | 24' 1" | 34' 1" | 31' 0" | 27' 1" | 27' 7" | 25' 1" | 21' 10" | 31' 0" | 28' 2" | 24' 7" |
| 1200S200-54 | 50 | 24' 2" | 21' 4" | 17' 4" | 23' 1" | 19' 2" | 14' 6" | 22' 0" | 20' 0" | 17' 4" | 23' 1" | 19' 2" | 14' 6" |
| 1200S200-68 | 50 | 26' 3" | 23' 10" | 20' 7" | 29' 2" | 25' 3" | 20' 3" | 23' 10" | 21' 8" | 20' 0" | 26' 10" | 24' 4" | 20' 3" |
| 1200S200-97 | 50 | 29' 9" | 27' 1" | 23' 8" | 33' 6" | 30' 4" | 26' 7" | 27' 1" | 24' 7" | 21' 6" | 30' 4" | 27' 7" | 24' 1" |
| 1200S200-118 | 50 | 31' 8" | 28' 9" | 25' 1" | 35' 7" | 32' 3" | 28' 2" | 28' 9" | 26' 1" | 22' 9" | 32' 3" | 29' 3" | 25' 7" |
| 1200S250-54 | 50 | 25' 3" | 22' 1" | 18' 0" | 23' 6" | 19' 6" | 14' 8" | 22' 10" | 20' 9" | 18' 0" | 23' 6" | 19' 6" | 14' 8" |
| 1200S250-68 | 50 | 27' 4" | 24' 10" | 21' 3" | 30' 1" | 25' 9" | 20' 4" | 24' 10" | 22' 8" | 19' 9" | 28' 0" | 25' 4" | 20' 4" |
| 1200S250-97 | 50 | 31' 0" | 28' 1" | 24' 7" | 34' 9" | 31' 7" | 27' 4" | 28' 1" | 25' 7" | 22' 3" | 31' 7" | 28' 8" | 25' 1" |
| 1200S250-118 | 50 | 32' 10" | 29' 10" | 26' 1" | 36' 10" | 33' 6" | 29' 3" | 29' 10" | 27' 2" | 23' 8" | 33' 6" | 30' 6" | 26' 7" |
| 1200S300-54 | 50 | 26' 0" | 22' 6" | 18' 4" | 23' 10" | 19' 9" | 14' 10" | 23' 8" | 21' 7" | 18' 4" | 23' 10" | 19' 9" | 14' 10" |
| 1200S300-68 | 50 | 28' 6" | 25' 10" | 21' 8" | 30' 8" | 26' 7" | 21' 2" | 25' 10" | 23' 6" | 20' 7" | 29' 1" | 26' 4" | 21' 2" |
| 1200S300-97 | 50 | 32' 0" | 29' 1" | 25' 4" | 36' 0" | 32' 8" | 28' 0" | 29' 1" | 26' 4" | 23' 1" | 32' 8" | 29' 8" | 25' 10" |
| 1200S300-118 | 50 | 34' 0" | 30' 10" | 27' 0" | 38' 2" | 34' 8" | 30' 3" | 30' 10" | 28' 1" | 24' 6" | 34' 8" | 31' 6" | 27' 7" |
| 1200S350-54 | 50 | 27' 6" | 25' 0" | 20' 6" | 25' 8" | 21' 1" | 15' 7" | 25' 0" | 22' 8" | 19' 9" | 25' 8" | 21' 1" | 15' 7" |
| 1200S350-68 | 50 | 30' 0" | 27' 3" | 23' 9" | 33' 8" | 29' 3" | 23' 0" | 27' 3" | 24' 9" | 21' 8" | 30' 7" | 27' 9" | 23' 0" |
| 1200S350-97 | 50 | 33' 7" | 30' 6" | 26' 7" | 37' 8" | 34' 2" | 29' 10" | 30' 6" | 27' 8" | 24' 2" | 34' 2" | 31' 1" | 27' 2" |
| 1200S350-118 | 50 | 35' 8" | 32' 4" | 28' 3" | 40' 1" | 36' 4" | 31' 9" | 32' 4" | 29' 6" | 25' 8" | 36' 4" | 33' 1" | 28' 10" |
| 1400S162-54 | 50 | 24' 1" | 20' 9" | 17' 0" | 22' 8" | 18' 7" | 13' 7" | 23' 8" | 20' 9" | 17' 0" | 22' 8" | 18' 7" | 13' 7" |
| 1400S162-68 | 50 | 28' 6" | 24' 10" | 20' 4" | 28' 9" | 24' 10" | 20' 1" | 25' 10" | 23' 6" | 20' 4" | 28' 9" | 24' 10" | 20' 1" |
| 1400S162-97 | 50 | 32' 4" | 29' 6" | 25' 8" | 36' 4" | 32' 8" | 26' 8" | 29' 6" | 26' 9" | 23' 4" | 33' 1" | 30' 1" | 26' 3" |
| 1400S162-118 | 50 | 34' 8" | 31' 7" | 27' 7" | 39' 0" | 35' 4" | 30' 10" | 31' 7" | 28' 8" | 25' 0" | 35' 4" | 32' 2" | 28' 1" |
| 1400S200-54 | 50 | 26' 2" | 22' 8" | 18' 6" | 23' 3" | 19' 0" | 13' 9" | 24' 8" | 22' 6" | 18' 6" | 23' 3" | 19' 0" | 13' 9" |
| 1400S200-68 | 50 | 29' 8" | 26' 10" | 22' 0" | 31' 1" | 26' 9" | 20' 10" | 26' 10" | 24' 6" | 21' 4" | 26' 10" | 23' 9" | 20' 10" |
| 1400S200-97 | 50 | 33' 8" | 30' 7" | 26' 8" | 37' 9" | 34' 4" | 28' 7" | 30' 7" | 27' 9" | 24' 3" | 34' 4" | 31' 2" | 27' 3" |
| 1400S200-118 | 50 | 36' 1" | 32' 9" | 28' 7" | 40' 6" | 36' 9" | 32' 1" | 32' 9" | 29' 9" | 26' 0" | 36' 9" | 33' 4" | 29' 2" |
| 1400S250-54 | 50 | 27' 2" | 23' 7" | 19' 2" | 23' 7" | 19' 1" | 13' 10" | 25' 7" | 23' 3" | 19' 2" | 23' 7" | 19' 1" | 13' 10" |
| 1400S250-68 | 50 | 30' 9" | 28' 0" | 22' 9" | 31' 10" | 27' 0" | 21' 0" | 28' 0" | 25' 6" | 22' 2" | 31' 4" | 27' 0" | 21' 0" |
| 1400S250-97 | 50 | 35' 0" | 31' 9" | 27' 9" | 39' 3" | 35' 8" | 29' 7" | 31' 9" | 28' 10" | 25' 2" | 35' 8" | 32' 4" | 28' 3" |
| 1400S250-118 | 50 | 37' 4" | 33' 10" | 29' 8" | 41' 10" | 38' 1" | 33' 3" | 33' 10" | 30' 9" | 26' 10" | 38' 1" | 34' 7" | 30' 2" |
| 1400S300-54 | 50 | 27' 10" | 24' 1" | 19' 7" | 23' 8" | 19' 2" | 14' 0" | 26' 1" | 23' 8" | 19' 7" | 23' 8" | 19' 2" | 14' 0" |
| 1400S300-68 | 50 | 31' 8" | 28' 7" | 23' 4" | 32' 3" | 27' 3" | 21' 2" | 28' 9" | 26' 1" | 22' 9" | 32' 3" | 27' 3" | 21' 2" |
| 1400S300-97 | 50 | 36' 1" | 32' 9" | 28' 8" | 40' 7" | 36' 10" | 30' 3" | 32' 9" | 29' 9" | 26' 1" | 36' 10" | 33' 6" | 29' 3" |
| 1400S300-118 | 50 | 38' 7" | 35' 0" | 30' 7" | 43' 3" | 39' 3" | 34' 4" | 35' 0" | 31' 9" | 27' 9" | 39' 3" | 35' 8" | 31' 2" |
| 1400S350-54 | 50 | 30' 8" | 27' 1" | 19' 7" | 25' 3" | 20' 3" | 14' 6" | 27' 10" | 25' 3" | 19' 7" | 25' 3" | 20' 3" | 14' 6" |
| 1400S350-68 | 50 | 33' 10" | 30' 9" | 26' 1" | 35' 10" | 30' 1" | 23' 1" | 30' 9" | 28' 0" | 24' 6" | 34' 7" | 30' 1" | 23' 1" |
| 1400S350-97 | 50 | 37' 10" | 34' 6" | 30' 1" | 42' 7" | 38' 8" | 33' 4" | 34' 6" | 31' 3" | 27' 4" | 38' 8" | 35' 2" | 30' 8" |
| 1400S350-118 | 50 | 40' 4" | 36' 8" | 32' 0" | 45' 3" | 41' 2" | 36' 0" | 36' 8" | 33' 3" | 29' 1" | 41' 2" | 37' 4" | 32' 8" |
| 1600S162-68 | 50 | 30' 2" | 26' 1" | 21' 3" | 30' 2" | 26' 1" | 20' 2" | 28' 8" | 26' 1" | 21' 3" | 30' 2" | 26' 1" | 20' 2" |
| 1600S162-97 | 50 | 36' 1" | 32' 9" | 28' 2" | 39' 9" | 34' 6" | 28' 2" | 32' 9" | 29' 9" | 26' 0" | 36' 9" | 33' 4" | 28' 2" |
| 1600S162-118 | 50 | 38' 9" | 35' 2" | 30' 9" | 43' 6" | 39' 6" | 32' 9" | 35' 2" | 32' 0" | 28' 0" | 39' 6" | 35' 10" | 31' 4" |
| 1600S200-68 | 50 | 32' 8" | 28' 3" | 23' 1" | 32' 8" | 27' 4" | 20' 10" | 29' 10" | 27' 1" | 23' 1" | 32' 8" | 27' 4" | 20' 10" |
| 1600S200-97 | 50 | 37' 6" | 34' 0" | 29' 8" | 42' 1" | 37' 1" | 30' 3" | 34' 0" | 30' 10" | 27' 0" | 38' 2" | 34' 8" | 30' 3" |
| 1600S200-118 | 50 | 40' 2" | 36' 6" | 31' 10" | 45' 1" | 41' 0" | 35' 1" | 36' 6" | 33' 2" | 29' 0" | 41' 0" | 37' 3" | 32' 6" |
| 1600S250-68 | 50 | 34' 1" | 29' 6" | 24' 1" | 33' 0" | 27' 7" | 21' 0" | 30' 10" | 28' 1" | 24' 1" | 33' 0" | 27' 7" | 21' 0" |
| 1600S250-97 | 50 | 38' 9" | 35' 2" | 30' 9" | 43' 6" | 38' 7" | 31' 6" | 35' 2" | 32' 0" | 27' 10" | 39' 6" | 35' 10" | 31' 4" |
| 1600S250-118 | 50 | 41' 7" | 37' 9" | 33' 0" | 46' 8" | 42' 4" | 36' 6" | 37' 9" | 34' 3" | 30' 0" | 42' 4" | 38' 6" | 33' 8" |
| 1600S300-68 | 50 | 34' 10" | 30' 4" | 24' 9" | 33' 4" | 27' 9" | 21' 2" | 31' 8" | 28' 9" | 24' 9" | 33' 4" | 27' 9" | 21' 2" |
| 1600S300-97 | 50 | 39' 10" | 36' 3" | 31' 8" | 44' 9" | 39' 7" | 32' 3" | 36' 3" | 33' 0" | 28' 9" | 40' 8" | 37' 0" | 32' 3" |
| 1600S300-118 | 50 | 42' 10" | 39' 0" | 34' 0" | 48' 1" | 43' 8" | 37' 6" | 39' 0" | 35' 4" | 30' 10" | 43' 8" | 39' 8" | 34' 8" |
| 1600S350-68 | 50 | 36' 9" | 33' 4" | 27' 9" | 36' 1" | 29' 10" | 22' 4" | 33' 4" | 30' 3" | 26' 6" | 36' 1" | 29' 10" | 22' 4" |
| 1600S350-97 | 50 | 41' 9" | 38' 0" | 33' 2" | 46' 10" | 42' 7" | 35' 4" | 38' 0" | 34' 6" | 30' 2" | 42' 7" | 38' 8" | 33' 9" |
| 1600S350-118 | 50 | 44' 9" | 40' 8" | 35' 7" | 50' 3" | 45' 8" | 39' 10" | 40' 8" | 37' 0" | 32' 3" | 45' 8" | 41' 6" | 36' 3" |

FLOOR JOIST SPANS

15 psf Dead Load and 125 psf Live Load

| MEMBER | F _y (ksi) | LIVE LOAD DEFLECTION L/360 | | | | | | LIVE LOAD DEFLECTION L/480 | | | | | |
|------------------|-------------------------|----------------------------|---------|---------|--------------------------|---------|---------|----------------------------|---------|---------|--------------------------|---------|---------|
| | | SINGLE SPAN | | | TWO EQUAL SPANS | | | SINGLE SPAN | | | TWO EQUAL SPANS | | |
| | | JOIST SPACING (in.) o.c. | | | JOIST SPACING (in.) o.c. | | | JOIST SPACING (in.) o.c. | | | JOIST SPACING (in.) o.c. | | |
| | | 12 | 16 | 24 | 12 | 16 | 24 | 12 | 16 | 24 | 12 | 16 | 24 |
| 600S137-33 | 33 | 6' 2" | 5' 4" | 4' 4" | 5' 4" | 4' 4" | 3' 2" | 6' 2" | 5' 4" | 4' 4" | 5' 4" | 4' 4" | 3' 2" |
| 600S137-43 | 33 | 7' 6" | 6' 6" | 5' 3" | 7' 2" | 6' 1" | 4' 8" | 7' 6" | 6' 6" | 5' 3" | 7' 2" | 6' 1" | 4' 8" |
| 600S137-43 (50) | 50 | 8' 7" | 7' 4" | 6' 1" | 8' 2" | 6' 10" | 5' 3" | 8' 1" | 7' 3" | 6' 1" | 8' 2" | 6' 10" | 5' 3" |
| 600S137-54 | 50 | 9' 7" | 8' 8" | 7' 1" | 10' 0" | 8' 6" | 6' 8" | 8' 8" | 7' 10" | 6' 10" | 9' 9" | 8' 6" | 6' 8" |
| 600S137-68 | 50 | 10' 3" | 9' 3" | 8' 1" | 11' 6" | 10' 0" | 8' 0" | 9' 3" | 8' 6" | 7' 4" | 10' 6" | 9' 6" | 8' 0" |
| 600S137-97 | 50 | 11' 4" | 10' 3" | 9' 0" | 12' 8" | 11' 7" | 10' 1" | 10' 3" | 9' 4" | 8' 2" | 11' 7" | 10' 6" | 9' 2" |
| 600S162-33 | 33 | 6' 8" | 5' 9" | 4' 7" | 5' 9" | 4' 7" | 3' 3" | 6' 8" | 5' 9" | 4' 7" | 5' 9" | 4' 7" | 3' 3" |
| 600S162-43 | 33 | 8' 3" | 7' 2" | 5' 10" | 8' 1" | 6' 9" | 5' 2" | 8' 3" | 7' 2" | 5' 10" | 8' 1" | 6' 9" | 5' 2" |
| 600S162-43 (50) | 50 | 9' 2" | 8' 0" | 6' 6" | 8' 10" | 7' 4" | 5' 7" | 8' 6" | 7' 8" | 6' 6" | 8' 10" | 7' 4" | 5' 7" |
| 600S162-54 | 50 | 10' 0" | 9' 1" | 7' 10" | 11' 1" | 9' 4" | 7' 4" | 9' 1" | 8' 3" | 7' 2" | 10' 2" | 9' 3" | 7' 4" |
| 600S162-68 | 50 | 10' 8" | 9' 8" | 8' 6" | 12' 0" | 10' 10" | 8' 10" | 9' 8" | 8' 10" | 7' 8" | 10' 10" | 9' 10" | 8' 8" |
| 600S162-97 | 50 | 11' 10" | 10' 9" | 9' 4" | 13' 3" | 12' 1" | 10' 7" | 10' 9" | 9' 9" | 8' 7" | 12' 1" | 11' 0" | 9' 7" |
| 600S162-118 | 50 | 12' 6" | 11' 4" | 10' 0" | 14' 1" | 12' 9" | 11' 2" | 11' 4" | 10' 4" | 9' 0" | 12' 9" | 11' 7" | 10' 2" |
| 600S200-33 | 33 | 7' 2" | 6' 2" | 4' 7" | 5' 10" | 4' 8" | 3' 4" | 7' 2" | 6' 2" | 4' 7" | 5' 10" | 4' 8" | 3' 4" |
| 600S200-43 | 33 | 8' 7" | 7' 4" | 6' 1" | 8' 2" | 6' 10" | 5' 3" | 8' 7" | 7' 4" | 6' 1" | 8' 2" | 6' 10" | 5' 3" |
| 600S200-43 (50) | 50 | 9' 9" | 8' 6" | 6' 10" | 9' 3" | 7' 8" | 5' 9" | 8' 10" | 8' 1" | 6' 10" | 9' 3" | 7' 8" | 5' 9" |
| 600S200-54 | 50 | 10' 6" | 9' 6" | 8' 1" | 11' 2" | 9' 6" | 7' 4" | 9' 6" | 8' 8" | 7' 7" | 10' 8" | 9' 6" | 7' 4" |
| 600S200-68 | 50 | 11' 3" | 10' 2" | 8' 10" | 12' 8" | 11' 6" | 9' 3" | 10' 2" | 9' 3" | 8' 1" | 11' 6" | 10' 4" | 9' 1" |
| 600S200-97 | 50 | 12' 6" | 11' 4" | 9' 10" | 14' 1" | 12' 9" | 11' 2" | 11' 4" | 10' 3" | 9' 0" | 12' 9" | 11' 7" | 10' 1" |
| 600S200-118 | 50 | 13' 2" | 12' 0" | 10' 6" | 14' 10" | 13' 6" | 11' 9" | 12' 0" | 10' 10" | 9' 6" | 13' 6" | 12' 3" | 10' 8" |
| 600S250-43 | 33 | 8' 9" | 7' 7" | 6' 2" | 8' 4" | 7' 0" | 5' 3" | 8' 9" | 7' 7" | 6' 2" | 8' 4" | 7' 0" | 5' 3" |
| 600S250-43 (50) | 50 | 10' 0" | 8' 8" | 7' 1" | 9' 4" | 7' 8" | 5' 9" | 9' 2" | 8' 4" | 7' 1" | 9' 4" | 7' 8" | 5' 9" |
| 600S250-54 | 50 | 11' 0" | 10' 0" | 8' 3" | 11' 4" | 9' 8" | 7' 6" | 10' 0" | 9' 0" | 7' 10" | 11' 2" | 9' 8" | 7' 6" |
| 600S250-68 | 50 | 11' 9" | 10' 8" | 9' 4" | 13' 3" | 11' 6" | 9' 1" | 10' 8" | 9' 9" | 8' 6" | 12' 1" | 11' 0" | 9' 1" |
| 600S250-97 | 50 | 13' 1" | 11' 10" | 10' 4" | 14' 9" | 13' 4" | 11' 8" | 11' 10" | 10' 10" | 9' 6" | 13' 4" | 12' 2" | 10' 7" |
| 600S250-118 | 50 | 13' 10" | 12' 7" | 11' 0" | 15' 7" | 14' 2" | 12' 4" | 12' 7" | 11' 6" | 10' 0" | 14' 2" | 12' 10" | 11' 3" |
| 600S300-54 | 50 | 11' 2" | 10' 2" | 8' 4" | 11' 7" | 9' 9" | 7' 7" | 10' 2" | 9' 2" | 8' 1" | 11' 4" | 9' 9" | 7' 7" |
| 600S300-68 | 50 | 12' 2" | 11' 1" | 9' 8" | 13' 8" | 11' 8" | 9' 2" | 11' 1" | 10' 1" | 8' 9" | 12' 4" | 11' 3" | 9' 2" |
| 600S300-97 | 50 | 13' 8" | 12' 4" | 10' 10" | 15' 4" | 14' 0" | 11' 7" | 12' 4" | 11' 3" | 9' 10" | 14' 0" | 12' 8" | 11' 1" |
| 600S300-118 | 50 | 14' 6" | 13' 2" | 11' 6" | 16' 3" | 14' 9" | 13' 0" | 13' 2" | 12' 0" | 10' 6" | 14' 9" | 13' 6" | 11' 9" |
| 800S137-33 | 33 | 6' 9" | 5' 1" | 3' 4" | 4' 10" | 3' 9" | 2' 7" | 6' 9" | 5' 1" | 3' 4" | 4' 10" | 3' 9" | 2' 7" |
| 800S137-43 | 33 | 8' 8" | 7' 6" | 6' 1" | 7' 10" | 6' 7" | 4' 10" | 8' 8" | 7' 6" | 6' 1" | 7' 10" | 6' 7" | 4' 10" |
| 800S137-43 (50) | 50 | 9' 10" | 8' 6" | 7' 0" | 8' 9" | 7' 2" | 5' 2" | 9' 10" | 8' 6" | 7' 0" | 8' 9" | 7' 2" | 5' 2" |
| 800S137-54 | 50 | 11' 7" | 10' 1" | 8' 2" | 11' 7" | 9' 9" | 7' 8" | 10' 1" | 9' 10" | 8' 2" | 11' 7" | 9' 9" | 7' 8" |
| 800S137-68 | 50 | 13' 0" | 11' 9" | 9' 8" | 13' 8" | 11' 10" | 9' 6" | 11' 9" | 10' 8" | 9' 4" | 13' 3" | 11' 10" | 9' 6" |
| 800S137-97 | 50 | 14' 4" | 13' 1" | 11' 6" | 16' 2" | 14' 8" | 12' 0" | 13' 1" | 11' 10" | 10' 4" | 14' 8" | 13' 4" | 11' 8" |
| 800S162-33 | 33 | 6' 9" | 5' 1" | 3' 4" | 5' 0" | 3' 10" | 2' 7" | 6' 9" | 5' 1" | 3' 4" | 5' 0" | 3' 10" | 2' 7" |
| 800S162-43 | 33 | 9' 3" | 8' 1" | 6' 7" | 8' 3" | 6' 9" | 5' 1" | 9' 3" | 8' 1" | 6' 7" | 8' 3" | 6' 9" | 5' 1" |
| 800S162-43 (50) | 50 | 10' 7" | 9' 2" | 7' 6" | 9' 0" | 7' 3" | 5' 3" | 10' 6" | 9' 2" | 7' 6" | 9' 0" | 7' 3" | 5' 3" |
| 800S162-54 | 50 | 12' 6" | 10' 9" | 8' 9" | 12' 3" | 10' 4" | 8' 0" | 11' 4" | 10' 3" | 8' 9" | 12' 3" | 10' 4" | 8' 0" |
| 800S162-68 | 50 | 13' 6" | 12' 3" | 10' 4" | 14' 8" | 12' 7" | 10' 1" | 12' 3" | 11' 2" | 9' 9" | 13' 9" | 12' 6" | 10' 1" |
| 800S162-97 | 50 | 15' 0" | 13' 8" | 11' 10" | 16' 10" | 15' 3" | 12' 8" | 13' 8" | 12' 4" | 10' 9" | 15' 3" | 13' 10" | 12' 2" |
| 800S162-118 | 50 | 15' 10" | 14' 4" | 12' 7" | 17' 10" | 16' 2" | 14' 2" | 14' 4" | 13' 1" | 11' 6" | 16' 2" | 14' 8" | 12' 10" |
| 800S200-43 | 33 | 10' 0" | 8' 8" | 7' 1" | 9' 0" | 7' 3" | 5' 3" | 10' 0" | 8' 8" | 7' 1" | 9' 0" | 7' 3" | 5' 3" |
| 800S200-43 (50) | 50 | 11' 4" | 9' 10" | 7' 6" | 9' 7" | 7' 8" | 5' 6" | 11' 2" | 9' 10" | 7' 6" | 9' 7" | 7' 8" | 5' 6" |
| 800S200-54 | 50 | 13' 2" | 11' 7" | 9' 4" | 13' 3" | 11' 2" | 8' 7" | 12' 0" | 10' 10" | 9' 4" | 13' 3" | 11' 2" | 8' 7" |
| 800S200-68 | 50 | 14' 2" | 12' 10" | 11' 2" | 15' 10" | 14' 0" | 11' 2" | 12' 10" | 11' 8" | 10' 2" | 14' 6" | 13' 1" | 11' 2" |
| 800S200-97 | 50 | 15' 9" | 14' 3" | 12' 6" | 17' 8" | 16' 1" | 14' 0" | 14' 3" | 13' 0" | 11' 4" | 16' 1" | 14' 7" | 12' 9" |
| 800S200-118 | 50 | 16' 8" | 15' 2" | 13' 3" | 18' 8" | 17' 0" | 14' 10" | 15' 2" | 13' 9" | 12' 0" | 17' 0" | 15' 6" | 13' 6" |
| 800S250-43 | 33 | 10' 2" | 8' 10" | 7' 2" | 9' 0" | 7' 3" | 5' 3" | 10' 2" | 8' 10" | 7' 2" | 9' 0" | 7' 3" | 5' 3" |
| 800S250-43 (50) | 50 | 11' 7" | 10' 1" | 7' 6" | 9' 7" | 7' 8" | 5' 6" | 11' 6" | 10' 1" | 7' 6" | 9' 7" | 7' 8" | 5' 6" |
| 800S250-54 | 50 | 13' 8" | 11' 9" | 9' 8" | 13' 4" | 11' 3" | 8' 8" | 12' 4" | 11' 3" | 9' 8" | 13' 4" | 11' 3" | 8' 8" |
| 800S250-68 | 50 | 14' 9" | 13' 4" | 11' 3" | 16' 0" | 13' 10" | 11' 0" | 13' 4" | 12' 2" | 10' 8" | 15' 1" | 13' 8" | 11' 0" |
| 800S250-97 | 50 | 16' 6" | 15' 0" | 13' 1" | 18' 6" | 16' 9" | 14' 8" | 15' 0" | 13' 7" | 11' 10" | 16' 9" | 15' 3" | 13' 3" |
| 800S250-118 | 50 | 17' 6" | 15' 10" | 13' 10" | 19' 7" | 17' 9" | 15' 7" | 15' 10" | 14' 4" | 12' 7" | 17' 9" | 16' 2" | 14' 1" |
| 800S300-54 | 50 | 13' 9" | 12' 0" | 9' 9" | 13' 6" | 11' 3" | 8' 8" | 12' 8" | 11' 6" | 9' 9" | 13' 6" | 11' 3" | 8' 8" |
| 800S300-68 | 50 | 15' 2" | 13' 9" | 11' 6" | 16' 3" | 14' 1" | 11' 2" | 13' 9" | 12' 7" | 11' 0" | 15' 6" | 14' 1" | 11' 2" |
| 800S300-97 | 50 | 17' 1" | 15' 6" | 13' 7" | 19' 2" | 17' 4" | 14' 7" | 15' 6" | 14' 1" | 12' 3" | 17' 4" | 15' 9" | 13' 9" |
| 800S300-118 | 50 | 18' 2" | 16' 6" | 14' 4" | 20' 4" | 18' 6" | 16' 2" | 16' 6" | 15' 0" | 13' 1" | 18' 6" | 16' 9" | 14' 8" |
| 1000S162-33 | 33 | 5' 4" | 4' 0" | 2' 8" | 4' 2" | 3' 2" | 2' 1" | 4' 0" | 3' 4" | 2' 8" | 4' 2" | 3' 2" | 2' 1" |
| 1000S162-43 | 33 | 10' 4" | 9' 0" | 6' 0" | 8' 1" | 6' 4" | 4' 6" | 10' 4" | 9' 0" | 6' 0" | 8' 1" | 6' 4" | 4' 6" |
| 1000S162-43 (50) | 50 | 11' 8" | 9' 0" | 6' 0" | 8' 6" | 6' 7" | 4' 7" | 11' 8" | 9' 0" | 6' 0" | 8' 6" | 6' 7" | 4' 7" |
| 1000S162-54 | 50 | 13' 10" | 12' 0" | 9' 9" | 12' 9" | 10' 7" | 7' 10" | 13' 6" | 12' 0" | 9' 9" | 12' 9" | 10' 7" | 7' 10" |
| 1000S162-68 | 50 | 16' 1" | 14' 2" | 11' 7" | 16' 4" | 14' 2" | 11' 2" | 14' 8" | 13' 3" | 11' 7" | 16' 4" | 14' 2" | 11' 2" |
| 1000S162-97 | 50 | 18' 1" | 16' 4" | 14' 4" | 20' 3" | 18' 2" | 14' 8" | 16' 4" | 14' 10" | 13' 1" | 18' 6" | 16' 9" | 14' 8" |
| 1000S162-118 | 50 | 19' 2" | 17' 4" | 15' 2" | 21' 6" | 19' 7" | 16' 7" | 17' 4" | 15' 9" | 13' 9" | 19' 7" | 17' 9" | 15' 6" |
| 1000S200-43 | 33 | 11' 2" | 9' 0" | 6' 0" | 8' 3" | 6' 6" | 4' 7" | 11' 2" | 9' 0" | 6' 0" | 8' 3" | 6' 6" | 4' 7" |
| 1000S200-43 (50) | 50 | 11' 10" | 9' 0" | 6' 0" | 8' 8" | 6' 8" | 4' 7" | 11' 10" | 9' 0" | 6' 0" | 8' 8" | 6' 8" | 4' 7" |
| 1000S200-54 | 50 | 14' 10" | 12' 10" | 10' 6" | 13' 2" | 10' 10" | 8' 0" | 14' 1" | 12' 9" | 10' 6" | 13' 2" | 10' 10" | 8' 0" |
| 1000S200-68 | 50 | 16' 10" | 15' 2" | 12' 4" | 17' 6" | 14' 10" | 11' 8" | 15' 2" | 13' 10" | 12' 2" | 17' 6" | 14' 10" | 11' 8" |
| 1000S200-97 | 50 | 18' 10" | 17' 2" | 15' 0" | 21' 2" | 19' 3" | 15' 8" | 17' 2" | 15' 7" | 13' 7" | 19' 3" | 17' 6" | 15' 3" |
| 1000S200-118 | 50 | 20' 0" | 18' 2" | 15' 10" | 22' 6" | 20' 4" | 17' 7" | 18' 2" | 16' 7" | 14' 6" | 20' 4" | 18' 7" | 16' 2" |

NOTE: See page 43 for Table Notes.

15 psf Dead Load and 125 psf Live Load

| MEMBER | F _y (ksi) | LIVE LOAD DEFLECTION L/360 | | | | | | LIVE LOAD DEFLECTION L/480 | | | | | |
|------------------|-------------------------|----------------------------|---------|---------|--------------------------|---------|---------|----------------------------|---------|---------|--------------------------|---------|---------|
| | | SINGLE SPAN | | | TWO EQUAL SPANS | | | SINGLE SPAN | | | TWO EQUAL SPANS | | |
| | | JOIST SPACING (in.) o.c. | | | JOIST SPACING (in.) o.c. | | | JOIST SPACING (in.) o.c. | | | JOIST SPACING (in.) o.c. | | |
| | | 12 | 16 | 24 | 12 | 16 | 24 | 12 | 16 | 24 | 12 | 16 | 24 |
| 1000S250-43 | 33 | 11' 6" | 9' 0" | 6' 0" | 8' 4" | 6' 7" | 4' 7" | 11' 6" | 9' 0" | 6' 0" | 8' 4" | 6' 7" | 4' 7" |
| 1000S250-43 (50) | 50 | 11' 10" | 9' 0" | 6' 0" | 8' 9" | 6' 9" | 4' 8" | 11' 10" | 9' 0" | 6' 0" | 8' 9" | 6' 9" | 4' 8" |
| 1000S250-54 | 50 | 15' 3" | 13' 3" | 10' 9" | 13' 7" | 11' 2" | 8' 2" | 14' 10" | 13' 3" | 10' 9" | 13' 7" | 11' 2" | 8' 2" |
| 1000S250-68 | 50 | 17' 8" | 15' 7" | 12' 8" | 18' 0" | 15' 7" | 12' 3" | 16' 0" | 14' 7" | 12' 8" | 18' 0" | 15' 7" | 12' 3" |
| 1000S250-97 | 50 | 19' 8" | 17' 10" | 15' 7" | 22' 1" | 20' 1" | 16' 10" | 17' 10" | 16' 3" | 14' 2" | 20' 1" | 18' 2" | 15' 10" |
| 1000S250-118 | 50 | 20' 10" | 19' 0" | 16' 7" | 23' 6" | 21' 3" | 18' 7" | 19' 0" | 17' 2" | 15' 1" | 21' 3" | 19' 4" | 16' 10" |
| 1000S300-54 | 50 | 15' 6" | 13' 6" | 11' 0" | 13' 8" | 11' 2" | 8' 2" | 15' 1" | 13' 6" | 11' 0" | 13' 8" | 11' 2" | 8' 2" |
| 1000S300-68 | 50 | 18' 1" | 15' 10" | 12' 10" | 18' 3" | 15' 9" | 12' 3" | 16' 6" | 15' 0" | 12' 10" | 18' 3" | 15' 9" | 12' 3" |
| 1000S300-97 | 50 | 20' 4" | 18' 6" | 16' 2" | 22' 9" | 20' 3" | 16' 7" | 18' 6" | 16' 9" | 14' 8" | 20' 9" | 18' 10" | 16' 6" |
| 1000S300-118 | 50 | 21' 8" | 19' 8" | 17' 2" | 24' 3" | 22' 1" | 19' 3" | 19' 8" | 17' 10" | 15' 7" | 22' 1" | 20' 1" | 17' 6" |
| 1000S350-54 | 50 | 17' 3" | 15' 0" | 11' 10" | 14' 7" | 11' 9" | 8' 6" | 16' 0" | 14' 6" | 11' 10" | 14' 7" | 11' 9" | 8' 6" |
| 1000S350-68 | 50 | 19' 2" | 17' 4" | 14' 4" | 20' 3" | 17' 1" | 13' 3" | 17' 4" | 15' 9" | 13' 9" | 19' 6" | 17' 1" | 13' 3" |
| 1000S350-97 | 50 | 21' 4" | 19' 6" | 17' 0" | 24' 1" | 21' 10" | 18' 1" | 19' 6" | 17' 8" | 15' 6" | 21' 10" | 19' 10" | 17' 3" |
| 1000S350-118 | 50 | 22' 9" | 20' 8" | 18' 1" | 25' 7" | 23' 2" | 20' 3" | 20' 8" | 18' 9" | 16' 4" | 23' 2" | 21' 1" | 18' 4" |
| 1200S162-43 | 33 | 9' 10" | 7' 4" | 5' 0" | 7' 4" | 5' 8" | 3' 10" | 9' 10" | 7' 4" | 5' 0" | 7' 4" | 5' 8" | 3' 10" |
| 1200S162-43 (50) | 50 | 9' 10" | 7' 4" | 5' 0" | 7' 7" | 5' 9" | 3' 10" | 9' 10" | 7' 4" | 5' 0" | 7' 7" | 5' 9" | 3' 10" |
| 1200S162-54 | 50 | 14' 10" | 12' 10" | 9' 9" | 12' 8" | 10' 2" | 7' 3" | 14' 10" | 12' 10" | 9' 9" | 12' 8" | 10' 2" | 7' 3" |
| 1200S162-68 | 50 | 17' 8" | 15' 4" | 12' 7" | 17' 8" | 14' 10" | 11' 4" | 16' 10" | 15' 4" | 12' 7" | 17' 8" | 14' 10" | 11' 4" |
| 1200S162-97 | 50 | 21' 1" | 19' 2" | 16' 3" | 23' 0" | 19' 10" | 16' 3" | 19' 2" | 17' 4" | 15' 2" | 21' 6" | 19' 6" | 16' 3" |
| 1200S162-118 | 50 | 22' 4" | 20' 4" | 17' 9" | 25' 1" | 22' 9" | 18' 8" | 20' 4" | 18' 6" | 16' 2" | 22' 9" | 20' 9" | 18' 1" |
| 1200S200-54 | 50 | 16' 1" | 14' 0" | 9' 9" | 13' 0" | 10' 3" | 7' 3" | 16' 1" | 14' 0" | 9' 9" | 13' 0" | 10' 3" | 7' 3" |
| 1200S200-68 | 50 | 19' 1" | 16' 6" | 13' 6" | 18' 6" | 15' 6" | 11' 9" | 17' 7" | 16' 0" | 13' 6" | 18' 6" | 15' 6" | 11' 9" |
| 1200S200-97 | 50 | 22' 0" | 20' 0" | 17' 4" | 24' 7" | 21' 3" | 17' 4" | 20' 0" | 18' 1" | 15' 9" | 22' 4" | 20' 3" | 17' 4" |
| 1200S200-118 | 50 | 23' 3" | 21' 2" | 18' 6" | 26' 2" | 23' 9" | 19' 10" | 21' 2" | 19' 3" | 16' 9" | 23' 9" | 21' 7" | 18' 10" |
| 1200S250-54 | 50 | 16' 8" | 14' 4" | 9' 9" | 13' 1" | 10' 4" | 7' 4" | 16' 8" | 14' 4" | 9' 9" | 13' 1" | 10' 4" | 7' 4" |
| 1200S250-68 | 50 | 19' 8" | 17' 1" | 13' 10" | 18' 7" | 15' 7" | 11' 10" | 18' 4" | 16' 8" | 13' 10" | 18' 7" | 15' 7" | 11' 10" |
| 1200S250-97 | 50 | 22' 9" | 20' 8" | 18' 0" | 25' 4" | 22' 0" | 18' 0" | 20' 8" | 18' 9" | 16' 6" | 23' 3" | 21' 2" | 18' 0" |
| 1200S250-118 | 50 | 24' 2" | 22' 0" | 19' 2" | 27' 2" | 24' 8" | 20' 7" | 22' 0" | 20' 0" | 17' 6" | 24' 8" | 22' 6" | 19' 7" |
| 1200S300-54 | 50 | 17' 0" | 14' 8" | 9' 9" | 13' 2" | 10' 6" | 7' 4" | 17' 0" | 14' 8" | 9' 9" | 13' 2" | 10' 6" | 7' 4" |
| 1200S300-68 | 50 | 20' 1" | 17' 4" | 14' 2" | 19' 3" | 16' 1" | 12' 2" | 19' 1" | 17' 3" | 14' 2" | 19' 3" | 16' 1" | 12' 2" |
| 1200S300-97 | 50 | 23' 7" | 21' 4" | 18' 3" | 25' 10" | 22' 4" | 18' 3" | 21' 4" | 19' 6" | 17' 0" | 24' 1" | 21' 10" | 18' 3" |
| 1200S300-118 | 50 | 25' 1" | 22' 9" | 19' 10" | 28' 1" | 25' 7" | 21' 10" | 22' 9" | 20' 8" | 18' 1" | 25' 7" | 23' 2" | 20' 3" |
| 1200S350-54 | 50 | 19' 0" | 14' 9" | 9' 9" | 13' 9" | 10' 9" | 7' 6" | 18' 4" | 14' 9" | 9' 9" | 13' 9" | 10' 9" | 7' 6" |
| 1200S350-68 | 50 | 22' 1" | 19' 4" | 15' 9" | 20' 10" | 17' 3" | 12' 10" | 20' 1" | 18' 3" | 15' 9" | 20' 10" | 17' 3" | 12' 10" |
| 1200S350-97 | 50 | 24' 8" | 22' 6" | 19' 7" | 27' 9" | 24' 8" | 20' 2" | 22' 6" | 20' 4" | 17' 9" | 25' 2" | 22' 10" | 20' 0" |
| 1200S350-118 | 50 | 26' 3" | 23' 10" | 20' 10" | 29' 6" | 26' 9" | 23' 4" | 23' 10" | 21' 8" | 19' 0" | 26' 9" | 24' 4" | 21' 3" |
| 1400S162-54 | 50 | 15' 9" | 12' 7" | 8' 4" | 12' 0" | 9' 4" | 6' 6" | 15' 9" | 12' 7" | 8' 4" | 12' 0" | 9' 4" | 6' 6" |
| 1400S162-68 | 50 | 18' 9" | 16' 3" | 13' 3" | 18' 2" | 15' 0" | 11' 2" | 18' 9" | 16' 3" | 13' 3" | 18' 2" | 15' 0" | 11' 2" |
| 1400S162-97 | 50 | 23' 10" | 21' 4" | 17' 6" | 24' 8" | 21' 4" | 17' 6" | 21' 8" | 19' 8" | 17' 2" | 24' 4" | 21' 4" | 17' 6" |
| 1400S162-118 | 50 | 25' 7" | 23' 2" | 20' 2" | 28' 7" | 24' 9" | 20' 2" | 23' 2" | 21' 1" | 18' 6" | 26' 1" | 23' 8" | 20' 2" |
| 1400S200-54 | 50 | 16' 9" | 12' 7" | 8' 4" | 12' 2" | 9' 6" | 6' 6" | 16' 9" | 12' 7" | 8' 4" | 12' 2" | 9' 6" | 6' 6" |
| 1400S200-68 | 50 | 20' 4" | 17' 7" | 14' 4" | 18' 10" | 15' 6" | 11' 6" | 19' 10" | 17' 7" | 14' 4" | 18' 10" | 15' 6" | 11' 6" |
| 1400S200-97 | 50 | 24' 9" | 22' 7" | 18' 8" | 26' 6" | 22' 10" | 18' 8" | 22' 7" | 20' 6" | 17' 10" | 25' 3" | 22' 10" | 18' 8" |
| 1400S200-118 | 50 | 26' 7" | 24' 1" | 21' 1" | 29' 9" | 26' 4" | 21' 7" | 24' 1" | 21' 10" | 19' 2" | 27' 1" | 24' 7" | 21' 6" |
| 1400S250-54 | 50 | 16' 9" | 12' 7" | 8' 4" | 12' 2" | 9' 6" | 6' 6" | 16' 9" | 12' 7" | 8' 4" | 12' 2" | 9' 6" | 6' 6" |
| 1400S250-68 | 50 | 21' 1" | 18' 3" | 14' 10" | 19' 0" | 15' 7" | 11' 6" | 20' 7" | 18' 3" | 14' 10" | 19' 0" | 15' 7" | 11' 6" |
| 1400S250-97 | 50 | 25' 9" | 23' 4" | 19' 4" | 27' 4" | 23' 9" | 19' 3" | 23' 4" | 21' 3" | 18' 7" | 26' 3" | 23' 9" | 19' 3" |
| 1400S250-118 | 50 | 27' 6" | 25' 0" | 21' 10" | 30' 10" | 27' 4" | 22' 4" | 25' 0" | 22' 8" | 19' 10" | 28' 1" | 25' 6" | 22' 3" |
| 1400S300-54 | 50 | 16' 9" | 12' 7" | 8' 4" | 12' 3" | 9' 6" | 6' 6" | 16' 9" | 12' 7" | 8' 4" | 12' 3" | 9' 6" | 6' 6" |
| 1400S300-68 | 50 | 21' 7" | 18' 8" | 15' 3" | 19' 2" | 15' 8" | 11' 7" | 21' 2" | 18' 8" | 15' 3" | 19' 2" | 15' 8" | 11' 7" |
| 1400S300-97 | 50 | 26' 7" | 24' 2" | 19' 9" | 28' 1" | 24' 3" | 19' 9" | 24' 2" | 22' 0" | 19' 2" | 27' 2" | 24' 3" | 19' 9" |
| 1400S300-118 | 50 | 28' 4" | 25' 9" | 22' 7" | 31' 10" | 28' 1" | 22' 10" | 25' 9" | 23' 6" | 20' 6" | 29' 0" | 26' 3" | 22' 10" |
| 1400S350-54 | 50 | 16' 9" | 12' 7" | 8' 4" | 12' 7" | 9' 8" | 6' 7" | 16' 9" | 12' 7" | 8' 4" | 12' 7" | 9' 8" | 6' 7" |
| 1400S350-68 | 50 | 24' 2" | 20' 10" | 16' 10" | 20' 8" | 16' 9" | 12' 1" | 22' 8" | 20' 7" | 16' 10" | 20' 8" | 16' 9" | 12' 1" |
| 1400S350-97 | 50 | 28' 0" | 25' 4" | 21' 10" | 31' 0" | 26' 9" | 21' 10" | 25' 4" | 23' 1" | 20' 2" | 28' 6" | 25' 10" | 21' 10" |
| 1400S350-118 | 50 | 29' 8" | 27' 0" | 23' 7" | 33' 4" | 30' 3" | 26' 0" | 27' 0" | 24' 6" | 21' 4" | 30' 3" | 27' 7" | 24' 1" |
| 1600S162-68 | 50 | 19' 8" | 17' 1" | 14' 0" | 18' 2" | 14' 8" | 10' 7" | 19' 8" | 17' 1" | 14' 0" | 18' 2" | 14' 8" | 10' 7" |
| 1600S162-97 | 50 | 26' 1" | 22' 7" | 18' 4" | 26' 1" | 22' 7" | 18' 4" | 24' 2" | 22' 0" | 18' 4" | 26' 1" | 22' 7" | 18' 4" |
| 1600S162-118 | 50 | 28' 7" | 26' 0" | 21' 6" | 30' 4" | 27' 3" | 21' 6" | 26' 0" | 23' 7" | 20' 7" | 29' 1" | 26' 3" | 21' 6" |
| 1600S200-68 | 50 | 21' 4" | 18' 6" | 14' 8" | 18' 8" | 15' 1" | 10' 9" | 21' 4" | 18' 6" | 14' 8" | 18' 8" | 15' 1" | 10' 9" |
| 1600S200-97 | 50 | 27' 7" | 24' 3" | 19' 9" | 28' 0" | 24' 3" | 19' 6" | 25' 1" | 22' 9" | 19' 9" | 28' 0" | 24' 3" | 19' 6" |
| 1600S200-118 | 50 | 29' 7" | 26' 10" | 23' 0" | 32' 6" | 28' 2" | 23' 0" | 26' 10" | 24' 6" | 21' 4" | 30' 2" | 27' 4" | 23' 0" |
| 1600S250-68 | 50 | 22' 3" | 19' 3" | 14' 8" | 18' 9" | 15' 1" | 10' 9" | 22' 3" | 19' 3" | 14' 8" | 18' 9" | 15' 1" | 10' 9" |
| 1600S250-97 | 50 | 28' 7" | 25' 3" | 20' 7" | 29' 2" | 25' 3" | 20' 1" | 25' 10" | 23' 7" | 20' 7" | 29' 1" | 25' 3" | 20' 1" |
| 1600S250-118 | 50 | 30' 7" | 27' 9" | 23' 10" | 33' 9" | 29' 3" | 23' 10" | 27' 9" | 25' 3" | 22' 1" | 31' 2" | 28' 4" | 23' 10" |
| 1600S300-68 | 50 | 22' 10" | 19' 10" | 14' 8" | 18' 10" | 15' 2" | 10' 9" | 22' 10" | 19' 10" | 14' 8" | 18' 10" | 15' 2" | 10' 9" |
| 1600S300-97 | 50 | 29' 4" | 25' 10" | 21' 2" | 30' 0" | 25' 10" | 20' 7" | 26' 8" | 24' 3" | 21' 2" | 30' 0" | 25' 10" | 20' 7" |
| 1600S300-118 | 50 | 31' 7" | 28' 8" | 24' 7" | 34' 8" | 30' 1" | 24' 7" | 28' 8" | 26' 1" | 22' 9" | 32' 2" | 29' 3" | 24' 7" |
| 1600S350-68 | 50 | 25' 8" | 22' 1" | 14' 8" | 19' 10" | 15' 9" | 11' 1" | 24' 7" | 22' 1" | 14' 8" | 19' 10" | 15' 9" | 11' 1" |
| 1600S350-97 | 50 | 30' 9" | 28' 0" | 23' 4" | 32' 6" | 27' 6" | 21' 7" | 28' 0" | 25' 4" | 22' 2" | 31' 4" | 27' 6" | 21' 7" |
| 1600S350-118 | 50 | 33' 0" | 30' 0" | 26' 2" | 37' 1" | 33' 0" | 26' 10" | 30' 0" | 27' 2" | 23' 9" | 33' 8" | 30' 7" | 26' 8" |

NOTE: See page 43 for Table Notes.

FLOOR JOIST SPANS

40 psf Dead Load and 125 psf Live Load

| MEMBER | F _y (ksi) | LIVE LOAD DEFLECTION L/360 | | | | | | LIVE LOAD DEFLECTION L/480 | | | | | |
|------------------|-------------------------|----------------------------|---------|---------|--------------------------|---------|---------|----------------------------|---------|---------|--------------------------|---------|---------|
| | | SINGLE SPAN | | | TWO EQUAL SPANS | | | SINGLE SPAN | | | TWO EQUAL SPANS | | |
| | | JOIST SPACING (in.) o.c. | | | JOIST SPACING (in.) o.c. | | | JOIST SPACING (in.) o.c. | | | JOIST SPACING (in.) o.c. | | |
| | | 12 | 16 | 24 | 12 | 16 | 24 | 12 | 16 | 24 | 12 | 16 | 24 |
| 600S137-33 | 33 | 5' 9" | 5' 0" | 3' 10" | 4' 9" | 3' 10" | 2' 9" | 5' 9" | 5' 0" | 3' 10" | 4' 9" | 3' 10" | 2' 9" |
| 600S137-43 | 33 | 6' 10" | 6' 0" | 4' 10" | 6' 7" | 5' 6" | 4' 3" | 6' 10" | 6' 0" | 4' 10" | 6' 7" | 5' 6" | 4' 3" |
| 600S137-43 (50) | 50 | 7' 10" | 6' 10" | 5' 7" | 7' 4" | 6' 2" | 4' 8" | 7' 10" | 6' 10" | 5' 7" | 7' 4" | 6' 2" | 4' 8" |
| 600S137-54 | 50 | 9' 3" | 8' 0" | 6' 7" | 9' 1" | 7' 8" | 6' 0" | 8' 8" | 7' 10" | 6' 7" | 9' 1" | 7' 8" | 6' 0" |
| 600S137-68 | 50 | 10' 3" | 9' 3" | 7' 7" | 10' 8" | 9' 2" | 7' 3" | 9' 3" | 8' 6" | 7' 4" | 10' 6" | 9' 2" | 7' 3" |
| 600S137-97 | 50 | 11' 4" | 10' 3" | 9' 0" | 12' 8" | 11' 7" | 9' 4" | 10' 3" | 9' 4" | 8' 2" | 11' 7" | 10' 6" | 9' 2" |
| 600S162-33 | 33 | 6' 2" | 5' 4" | 3' 10" | 5' 1" | 4' 1" | 2' 10" | 6' 2" | 5' 4" | 3' 10" | 5' 1" | 4' 1" | 2' 10" |
| 600S162-43 | 33 | 7' 7" | 6' 7" | 5' 4" | 7' 3" | 6' 1" | 4' 7" | 7' 7" | 6' 7" | 5' 4" | 7' 3" | 6' 1" | 4' 7" |
| 600S162-43 (50) | 50 | 8' 6" | 7' 4" | 6' 0" | 8' 0" | 6' 7" | 4' 10" | 8' 6" | 7' 4" | 6' 0" | 8' 0" | 6' 7" | 4' 10" |
| 600S162-54 | 50 | 10' 0" | 8' 10" | 7' 2" | 10' 2" | 8' 7" | 6' 7" | 9' 1" | 8' 3" | 7' 2" | 10' 2" | 8' 7" | 6' 7" |
| 600S162-68 | 50 | 10' 8" | 9' 8" | 8' 6" | 12' 0" | 10' 2" | 8' 1" | 9' 8" | 8' 10" | 7' 8" | 10' 10" | 9' 10" | 8' 1" |
| 600S162-97 | 50 | 11' 10" | 10' 9" | 9' 4" | 13' 3" | 12' 1" | 9' 9" | 10' 9" | 9' 9" | 8' 7" | 12' 1" | 11' 0" | 9' 7" |
| 600S162-118 | 50 | 12' 6" | 11' 4" | 10' 0" | 14' 1" | 12' 9" | 10' 7" | 11' 4" | 10' 4" | 9' 0" | 12' 9" | 11' 7" | 10' 2" |
| 600S200-33 | 33 | 6' 7" | 5' 8" | 3' 10" | 5' 2" | 4' 1" | 2' 10" | 6' 7" | 5' 8" | 3' 10" | 5' 2" | 4' 1" | 2' 10" |
| 600S200-43 | 33 | 7' 10" | 6' 9" | 5' 7" | 7' 4" | 6' 2" | 4' 8" | 7' 10" | 6' 9" | 5' 7" | 7' 4" | 6' 2" | 4' 8" |
| 600S200-43 (50) | 50 | 9' 0" | 7' 9" | 6' 4" | 8' 4" | 6' 10" | 5' 1" | 8' 10" | 7' 9" | 6' 4" | 8' 4" | 6' 10" | 5' 1" |
| 600S200-54 | 50 | 10' 6" | 9' 1" | 7' 4" | 10' 2" | 8' 7" | 6' 7" | 9' 6" | 8' 8" | 7' 4" | 10' 2" | 8' 7" | 6' 7" |
| 600S200-68 | 50 | 11' 3" | 10' 2" | 8' 10" | 12' 7" | 10' 8" | 8' 4" | 10' 2" | 9' 3" | 8' 1" | 11' 6" | 10' 4" | 8' 4" |
| 600S200-97 | 50 | 12' 6" | 11' 4" | 9' 10" | 14' 1" | 12' 9" | 10' 4" | 11' 4" | 10' 3" | 9' 0" | 12' 9" | 11' 7" | 10' 1" |
| 600S200-118 | 50 | 13' 2" | 12' 0" | 10' 6" | 14' 10" | 13' 6" | 11' 1" | 12' 0" | 10' 10" | 9' 6" | 13' 6" | 12' 3" | 10' 8" |
| 600S250-43 | 33 | 8' 1" | 7' 0" | 5' 8" | 7' 7" | 6' 3" | 4' 8" | 8' 1" | 7' 0" | 5' 8" | 7' 7" | 6' 3" | 4' 8" |
| 600S250-43 (50) | 50 | 9' 2" | 8' 0" | 6' 6" | 8' 4" | 6' 10" | 5' 1" | 9' 2" | 8' 0" | 6' 6" | 8' 4" | 6' 10" | 5' 1" |
| 600S250-54 | 50 | 10' 9" | 9' 3" | 7' 7" | 10' 4" | 8' 8" | 6' 8" | 10' 0" | 9' 0" | 7' 7" | 10' 4" | 8' 8" | 6' 8" |
| 600S250-68 | 50 | 11' 9" | 10' 8" | 8' 10" | 12' 3" | 10' 4" | 8' 2" | 10' 8" | 9' 9" | 8' 6" | 12' 1" | 10' 4" | 8' 2" |
| 600S250-97 | 50 | 13' 1" | 11' 10" | 10' 4" | 14' 9" | 13' 4" | 10' 8" | 11' 10" | 10' 10" | 9' 6" | 13' 4" | 12' 2" | 10' 7" |
| 600S250-118 | 50 | 13' 10" | 12' 7" | 11' 0" | 15' 7" | 14' 2" | 11' 6" | 12' 7" | 11' 6" | 10' 0" | 14' 2" | 12' 10" | 11' 3" |
| 600S300-54 | 50 | 10' 10" | 9' 6" | 7' 8" | 10' 6" | 8' 10" | 6' 9" | 10' 2" | 9' 2" | 7' 8" | 10' 6" | 8' 10" | 6' 9" |
| 600S300-68 | 50 | 12' 2" | 11' 1" | 9' 0" | 12' 6" | 10' 7" | 8' 4" | 11' 1" | 10' 1" | 8' 9" | 12' 4" | 10' 7" | 8' 4" |
| 600S300-97 | 50 | 13' 8" | 12' 4" | 10' 10" | 15' 4" | 13' 4" | 10' 7" | 12' 4" | 11' 3" | 9' 10" | 14' 0" | 12' 8" | 10' 7" |
| 600S300-118 | 50 | 14' 6" | 13' 2" | 11' 6" | 16' 3" | 14' 9" | 11' 10" | 13' 2" | 12' 0" | 10' 6" | 14' 9" | 13' 6" | 11' 9" |
| 800S137-33 | 33 | 5' 8" | 4' 3" | 2' 10" | 4' 3" | 3' 3" | 2' 2" | 5' 8" | 4' 3" | 2' 10" | 4' 3" | 3' 3" | 2' 2" |
| 800S137-43 | 33 | 6' 0" | 6' 10" | 5' 7" | 7' 1" | 5' 10" | 4' 3" | 6' 0" | 6' 10" | 5' 7" | 7' 1" | 5' 10" | 4' 3" |
| 800S137-43 (50) | 50 | 9' 1" | 7' 10" | 6' 4" | 7' 9" | 6' 3" | 4' 7" | 9' 1" | 7' 10" | 6' 4" | 7' 9" | 6' 3" | 4' 7" |
| 800S137-54 | 50 | 10' 8" | 9' 3" | 7' 7" | 10' 7" | 8' 10" | 6' 10" | 10' 8" | 9' 3" | 7' 7" | 10' 7" | 8' 10" | 6' 10" |
| 800S137-68 | 50 | 12' 7" | 11' 0" | 8' 10" | 12' 7" | 10' 10" | 8' 8" | 11' 9" | 10' 8" | 8' 10" | 12' 7" | 10' 10" | 8' 8" |
| 800S137-97 | 50 | 14' 4" | 13' 1" | 11' 4" | 15' 9" | 13' 7" | 11' 0" | 13' 1" | 11' 10" | 10' 4" | 14' 8" | 13' 4" | 11' 0" |
| 800S162-33 | 33 | 5' 8" | 4' 3" | 2' 10" | 4' 3" | 3' 3" | 2' 3" | 5' 8" | 4' 3" | 2' 10" | 4' 3" | 3' 3" | 2' 3" |
| 800S162-43 | 33 | 8' 7" | 7' 6" | 6' 1" | 7' 6" | 6' 1" | 4' 6" | 8' 7" | 7' 6" | 6' 1" | 7' 6" | 6' 1" | 4' 6" |
| 800S162-43 (50) | 50 | 9' 9" | 8' 6" | 6' 4" | 8' 0" | 6' 6" | 4' 7" | 9' 9" | 8' 6" | 6' 4" | 8' 0" | 6' 6" | 4' 7" |
| 800S162-54 | 50 | 11' 6" | 10' 0" | 8' 1" | 11' 1" | 9' 4" | 7' 2" | 11' 4" | 10' 0" | 8' 1" | 11' 1" | 9' 4" | 7' 2" |
| 800S162-68 | 50 | 13' 6" | 11' 8" | 9' 6" | 13' 6" | 11' 6" | 9' 1" | 11' 2" | 9' 6" | 13' 6" | 11' 6" | 9' 1" | 11' 2" |
| 800S162-97 | 50 | 15' 0" | 13' 8" | 11' 10" | 16' 9" | 14' 4" | 11' 7" | 13' 8" | 12' 4" | 10' 9" | 15' 3" | 13' 10" | 11' 7" |
| 800S162-118 | 50 | 15' 10" | 14' 4" | 12' 7" | 17' 10" | 16' 2" | 13' 10" | 14' 4" | 13' 1" | 11' 6" | 16' 2" | 14' 8" | 12' 10" |
| 800S200-43 | 33 | 9' 2" | 8' 0" | 6' 4" | 8' 0" | 6' 4" | 4' 7" | 9' 2" | 8' 0" | 6' 4" | 8' 0" | 6' 4" | 4' 7" |
| 800S200-43 (50) | 50 | 10' 6" | 9' 1" | 6' 4" | 8' 6" | 6' 8" | 4' 9" | 10' 6" | 9' 1" | 6' 4" | 8' 6" | 6' 8" | 4' 9" |
| 800S200-54 | 50 | 12' 3" | 10' 7" | 8' 8" | 12' 1" | 10' 1" | 7' 8" | 12' 0" | 10' 7" | 8' 8" | 12' 1" | 10' 1" | 7' 8" |
| 800S200-68 | 50 | 14' 2" | 12' 10" | 10' 6" | 14' 10" | 12' 10" | 10' 2" | 12' 10" | 11' 8" | 10' 2" | 14' 6" | 12' 10" | 10' 2" |
| 800S200-97 | 50 | 15' 9" | 14' 3" | 12' 6" | 17' 8" | 16' 1" | 13' 2" | 14' 3" | 13' 0" | 11' 4" | 16' 1" | 14' 7" | 12' 9" |
| 800S200-118 | 50 | 16' 8" | 15' 2" | 13' 3" | 18' 8" | 17' 0" | 14' 8" | 15' 2" | 13' 9" | 12' 0" | 17' 0" | 15' 6" | 13' 6" |
| 800S250-43 | 33 | 9' 4" | 8' 2" | 6' 4" | 8' 0" | 6' 6" | 4' 7" | 9' 4" | 8' 2" | 6' 4" | 8' 0" | 6' 6" | 4' 7" |
| 800S250-43 (50) | 50 | 10' 8" | 9' 3" | 6' 4" | 8' 6" | 6' 9" | 4' 9" | 10' 8" | 9' 3" | 6' 4" | 8' 6" | 6' 9" | 4' 9" |
| 800S250-54 | 50 | 12' 7" | 10' 10" | 8' 10" | 12' 2" | 10' 2" | 7' 8" | 12' 4" | 10' 10" | 8' 10" | 12' 2" | 10' 2" | 7' 8" |
| 800S250-68 | 50 | 14' 8" | 12' 9" | 10' 4" | 14' 8" | 12' 7" | 9' 10" | 13' 4" | 12' 2" | 10' 4" | 14' 8" | 12' 7" | 9' 10" |
| 800S250-97 | 50 | 16' 6" | 15' 0" | 13' 1" | 18' 6" | 16' 9" | 13' 6" | 15' 0" | 13' 7" | 11' 10" | 16' 9" | 15' 3" | 13' 3" |
| 800S250-118 | 50 | 17' 6" | 15' 10" | 13' 10" | 19' 7" | 17' 9" | 15' 2" | 15' 10" | 14' 4" | 12' 7" | 17' 9" | 16' 2" | 14' 1" |
| 800S300-54 | 50 | 12' 8" | 11' 0" | 9' 0" | 12' 2" | 10' 2" | 7' 8" | 12' 8" | 11' 0" | 9' 0" | 12' 2" | 10' 2" | 7' 8" |
| 800S300-68 | 50 | 15' 0" | 13' 0" | 10' 7" | 15' 0" | 12' 10" | 10' 1" | 12' 7" | 10' 7" | 15' 0" | 12' 10" | 10' 1" | 10' 1" |
| 800S300-97 | 50 | 17' 1" | 15' 6" | 13' 6" | 19' 1" | 16' 6" | 13' 3" | 15' 6" | 14' 1" | 12' 3" | 17' 4" | 15' 9" | 13' 3" |
| 800S300-118 | 50 | 18' 2" | 16' 6" | 14' 4" | 20' 4" | 18' 6" | 15' 9" | 16' 6" | 15' 0" | 13' 1" | 18' 6" | 16' 9" | 14' 8" |
| 1000S162-33 | 33 | 4' 7" | 3' 4" | 2' 3" | 3' 7" | 2' 8" | 1' 9" | 4' 7" | 3' 4" | 2' 3" | 3' 7" | 2' 8" | 1' 9" |
| 1000S162-43 | 33 | 9' 6" | 7' 7" | 5' 1" | 7' 1" | 5' 7" | 3' 10" | 9' 6" | 7' 7" | 5' 1" | 7' 1" | 5' 7" | 3' 10" |
| 1000S162-43 (50) | 50 | 10' 1" | 7' 7" | 5' 1" | 7' 4" | 5' 8" | 3' 10" | 10' 1" | 7' 7" | 5' 1" | 7' 4" | 5' 8" | 3' 10" |
| 1000S162-54 | 50 | 12' 9" | 11' 1" | 9' 0" | 11' 6" | 9' 4" | 6' 10" | 12' 9" | 11' 1" | 9' 0" | 11' 6" | 9' 4" | 6' 10" |
| 1000S162-68 | 50 | 15' 1" | 13' 1" | 10' 8" | 15' 1" | 12' 10" | 10' 1" | 14' 8" | 13' 1" | 10' 8" | 15' 1" | 12' 10" | 10' 1" |
| 1000S162-97 | 50 | 18' 1" | 16' 4" | 13' 8" | 19' 3" | 16' 8" | 13' 6" | 16' 4" | 14' 10" | 13' 1" | 18' 6" | 16' 8" | 13' 6" |
| 1000S162-118 | 50 | 19' 2" | 17' 4" | 15' 2" | 21' 6" | 18' 9" | 15' 2" | 17' 4" | 15' 9" | 13' 9" | 19' 7" | 17' 9" | 15' 2" |
| 1000S200-43 | 33 | 10' 1" | 7' 7" | 5' 1" | 7' 2" | 5' 8" | 3' 10" | 10' 1" | 7' 7" | 5' 1" | 7' 2" | 5' 8" | 3' 10" |
| 1000S200-43 (50) | 50 | 10' 1" | 7' 7" | 5' 1" | 7' 6" | 5' 9" | 4' 0" | 10' 1" | 7' 7" | 5' 1" | 7' 6" | 5' 9" | 4' 0" |
| 1000S200-54 | 50 | 13' 8" | 11' 10" | 9' 8" | 11' 9" | 9' 7" | 7' 1" | 13' 8" | 11' 10" | 9' 8" | 11' 9" | 9' 7" | 7' 1" |
| 1000S200-68 | 50 | 16' 1" | 14' 0" | 11' 4" | 16' 0" | 13' 6" | 10' 3" | 13' 10" | 11' 4" | 16' 0" | 13' 6" | 10' 3" | 10' 6" |
| 1000S200-97 | 50 | 18' 10" | 17' 2" | 14' 6" | 20' 7" | 17' 9" | 14' 4" | 17' 2" | 15' 7" | 13' 7" | 19' 3" | 17' 6" | 14' 4" |
| 1000S200-118 | 50 | 20' 0" | 18' 2" | 15' 10" | 22' 6" | 20' 0" | 16' 2" | 18' 2" | 16' 7" | 14' 6" | 20' 4" | 18' 7" | 16' 2" |

NOTE: See page 43 for Table Notes.

FLOOR JOIST SPANS

40 psf Dead Load and 125 psf Live Load

| MEMBER | F _y (ksi) | LIVE LOAD DEFLECTION L/360 | | | | | | LIVE LOAD DEFLECTION L/480 | | | | | |
|------------------|-------------------------|----------------------------|---------|---------|--------------------------|---------|---------|----------------------------|---------|---------|--------------------------|---------|---------|
| | | SINGLE SPAN | | | TWO EQUAL SPANS | | | SINGLE SPAN | | | TWO EQUAL SPANS | | |
| | | JOIST SPACING (in.) o.c. | | | JOIST SPACING (in.) o.c. | | | JOIST SPACING (in.) o.c. | | | JOIST SPACING (in.) o.c. | | |
| | | 12 | 16 | 24 | 12 | 16 | 24 | 12 | 16 | 24 | 12 | 16 | 24 |
| 1000S250-43 | 33 | 10' 1" | 7' 7" | 5' 1" | 7' 4" | 5' 8" | 3' 10" | 10' 1" | 7' 7" | 5' 1" | 7' 4" | 5' 8" | 3' 10" |
| 1000S250-43 (50) | 50 | 10' 1" | 7' 7" | 5' 1" | 7' 7" | 5' 9" | 4' 0" | 10' 1" | 7' 7" | 5' 1" | 7' 7" | 5' 9" | 4' 0" |
| 1000S250-54 | 50 | 14' 1" | 12' 2" | 10' 0" | 12' 2" | 9' 10" | 7' 2" | 14' 1" | 12' 2" | 10' 0" | 12' 2" | 9' 10" | 7' 2" |
| 1000S250-68 | 50 | 16' 7" | 14' 4" | 11' 8" | 16' 7" | 14' 3" | 11' 1" | 16' 0" | 14' 4" | 11' 8" | 16' 7" | 14' 3" | 11' 1" |
| 1000S250-97 | 50 | 19' 8" | 17' 10" | 15' 7" | 22' 0" | 19' 1" | 15' 7" | 17' 10" | 16' 3" | 14' 2" | 20' 1" | 18' 2" | 15' 7" |
| 1000S250-118 | 50 | 20' 10" | 19' 0" | 16' 7" | 23' 6" | 21' 3" | 18' 0" | 19' 0" | 17' 2" | 15' 1" | 21' 3" | 19' 4" | 16' 10" |
| 1000S300-54 | 50 | 14' 3" | 12' 4" | 10' 1" | 12' 2" | 9' 10" | 7' 2" | 14' 3" | 12' 4" | 10' 1" | 12' 2" | 9' 10" | 7' 2" |
| 1000S300-68 | 50 | 16' 10" | 14' 7" | 11' 10" | 16' 10" | 14' 3" | 11' 1" | 16' 6" | 14' 7" | 11' 10" | 16' 10" | 14' 3" | 11' 1" |
| 1000S300-97 | 50 | 20' 4" | 18' 6" | 15' 3" | 21' 7" | 18' 8" | 15' 3" | 18' 6" | 16' 9" | 14' 8" | 20' 9" | 18' 8" | 15' 3" |
| 1000S300-118 | 50 | 21' 8" | 19' 8" | 17' 2" | 24' 3" | 22' 1" | 18' 2" | 19' 8" | 17' 10" | 15' 7" | 22' 1" | 20' 1" | 17' 6" |
| 1000S350-54 | 50 | 16' 0" | 13' 9" | 10' 1" | 12' 10" | 10' 4" | 7' 4" | 16' 0" | 13' 9" | 10' 1" | 12' 10" | 10' 4" | 7' 4" |
| 1000S350-68 | 50 | 18' 8" | 16' 2" | 13' 2" | 18' 4" | 15' 6" | 11' 10" | 17' 4" | 15' 9" | 13' 2" | 18' 4" | 15' 6" | 11' 10" |
| 1000S350-97 | 50 | 21' 4" | 19' 6" | 16' 9" | 23' 9" | 20' 7" | 16' 6" | 19' 6" | 17' 8" | 15' 6" | 21' 10" | 19' 10" | 16' 6" |
| 1000S350-118 | 50 | 22' 9" | 20' 8" | 18' 1" | 25' 7" | 23' 2" | 19' 8" | 20' 8" | 18' 9" | 16' 4" | 23' 2" | 21' 1" | 18' 4" |
| 1200S162-43 | 33 | 8' 4" | 6' 3" | 4' 2" | 6' 4" | 4' 10" | 3' 3" | 8' 4" | 6' 3" | 4' 2" | 6' 4" | 4' 10" | 3' 3" |
| 1200S162-43 (50) | 50 | 8' 4" | 6' 3" | 4' 2" | 6' 6" | 4' 10" | 3' 3" | 8' 4" | 6' 3" | 4' 2" | 6' 6" | 4' 10" | 3' 3" |
| 1200S162-54 | 50 | 13' 8" | 11' 10" | 8' 3" | 11' 2" | 8' 10" | 6' 3" | 13' 8" | 11' 10" | 8' 3" | 11' 2" | 8' 10" | 6' 3" |
| 1200S162-68 | 50 | 16' 3" | 14' 2" | 11' 7" | 16' 0" | 13' 4" | 10' 2" | 16' 3" | 14' 2" | 11' 7" | 16' 0" | 13' 4" | 10' 2" |
| 1200S162-97 | 50 | 21' 1" | 18' 4" | 15' 0" | 21' 2" | 18' 4" | 15' 0" | 19' 2" | 17' 4" | 15' 0" | 21' 2" | 18' 4" | 15' 0" |
| 1200S162-118 | 50 | 22' 4" | 20' 4" | 17' 2" | 24' 4" | 21' 1" | 17' 2" | 20' 4" | 18' 6" | 16' 2" | 22' 9" | 20' 9" | 17' 2" |
| 1200S200-54 | 50 | 14' 10" | 12' 6" | 8' 3" | 11' 4" | 9' 0" | 6' 3" | 14' 10" | 12' 6" | 8' 3" | 11' 4" | 9' 0" | 6' 3" |
| 1200S200-68 | 50 | 17' 7" | 15' 2" | 12' 4" | 16' 8" | 13' 10" | 10' 6" | 17' 7" | 15' 2" | 12' 4" | 16' 8" | 13' 10" | 10' 6" |
| 1200S200-97 | 50 | 22' 0" | 19' 7" | 16' 0" | 22' 7" | 19' 7" | 15' 10" | 20' 0" | 18' 1" | 15' 9" | 22' 4" | 19' 7" | 15' 10" |
| 1200S200-118 | 50 | 23' 3" | 21' 2" | 18' 4" | 26' 0" | 22' 6" | 18' 3" | 21' 2" | 19' 3" | 16' 9" | 23' 9" | 21' 7" | 18' 3" |
| 1200S250-54 | 50 | 15' 4" | 12' 6" | 8' 3" | 11' 6" | 9' 1" | 6' 3" | 15' 4" | 12' 6" | 8' 3" | 11' 6" | 9' 1" | 6' 3" |
| 1200S250-68 | 50 | 18' 2" | 15' 8" | 12' 9" | 16' 9" | 14' 0" | 10' 7" | 18' 2" | 15' 8" | 12' 9" | 16' 9" | 14' 0" | 10' 7" |
| 1200S250-97 | 50 | 22' 9" | 20' 3" | 16' 6" | 23' 4" | 20' 3" | 16' 6" | 20' 8" | 18' 9" | 16' 6" | 23' 3" | 20' 3" | 16' 6" |
| 1200S250-118 | 50 | 24' 2" | 22' 0" | 19' 0" | 26' 10" | 23' 3" | 19' 0" | 22' 0" | 20' 0" | 17' 6" | 24' 8" | 22' 6" | 19' 0" |
| 1200S300-54 | 50 | 15' 8" | 12' 6" | 8' 3" | 11' 7" | 9' 2" | 6' 4" | 15' 8" | 12' 6" | 8' 3" | 11' 7" | 9' 2" | 6' 4" |
| 1200S300-68 | 50 | 18' 6" | 16' 0" | 13' 1" | 17' 6" | 14' 6" | 10' 10" | 18' 6" | 16' 0" | 13' 1" | 17' 6" | 14' 6" | 10' 10" |
| 1200S300-97 | 50 | 23' 7" | 20' 8" | 16' 10" | 23' 10" | 20' 8" | 16' 10" | 21' 4" | 19' 6" | 16' 10" | 23' 10" | 20' 8" | 16' 10" |
| 1200S300-118 | 50 | 25' 1" | 22' 9" | 19' 10" | 28' 1" | 24' 8" | 20' 2" | 22' 9" | 20' 8" | 18' 1" | 25' 7" | 23' 2" | 20' 2" |
| 1200S350-54 | 50 | 16' 8" | 12' 6" | 8' 3" | 12' 1" | 9' 4" | 6' 6" | 16' 8" | 12' 6" | 8' 3" | 12' 1" | 9' 4" | 6' 6" |
| 1200S350-68 | 50 | 20' 7" | 17' 9" | 14' 7" | 18' 9" | 15' 4" | 11' 4" | 20' 1" | 17' 9" | 14' 7" | 18' 9" | 15' 4" | 11' 4" |
| 1200S350-97 | 50 | 24' 8" | 22' 6" | 18' 7" | 26' 3" | 22' 9" | 18' 6" | 20' 4" | 18' 7" | 15' 9" | 25' 2" | 22' 9" | 18' 6" |
| 1200S350-118 | 50 | 26' 3" | 23' 10" | 20' 10" | 29' 6" | 26' 9" | 22' 0" | 23' 10" | 21' 8" | 19' 0" | 26' 9" | 24' 4" | 21' 3" |
| 1400S162-54 | 50 | 14' 3" | 10' 8" | 7' 1" | 10' 6" | 8' 1" | 5' 7" | 14' 3" | 10' 8" | 7' 1" | 10' 6" | 8' 1" | 5' 7" |
| 1400S162-68 | 50 | 17' 4" | 15' 0" | 12' 3" | 16' 3" | 13' 4" | 9' 9" | 17' 4" | 15' 0" | 12' 3" | 16' 3" | 13' 4" | 9' 9" |
| 1400S162-97 | 50 | 22' 8" | 19' 8" | 16' 1" | 22' 8" | 19' 8" | 16' 1" | 21' 8" | 19' 8" | 16' 1" | 22' 8" | 19' 8" | 16' 1" |
| 1400S162-118 | 50 | 25' 7" | 22' 9" | 18' 7" | 26' 3" | 22' 9" | 18' 7" | 23' 2" | 21' 1" | 18' 6" | 26' 1" | 22' 9" | 18' 7" |
| 1400S200-54 | 50 | 14' 3" | 10' 8" | 7' 1" | 10' 7" | 8' 2" | 5' 7" | 14' 3" | 10' 8" | 7' 1" | 10' 7" | 8' 2" | 5' 7" |
| 1400S200-68 | 50 | 18' 9" | 16' 2" | 13' 3" | 16' 10" | 13' 9" | 10' 7" | 18' 9" | 16' 2" | 13' 3" | 16' 10" | 13' 9" | 10' 7" |
| 1400S200-97 | 50 | 24' 4" | 21' 1" | 17' 2" | 24' 4" | 21' 1" | 17' 1" | 22' 7" | 20' 6" | 17' 2" | 24' 4" | 21' 1" | 17' 1" |
| 1400S200-118 | 50 | 26' 7" | 24' 1" | 19' 10" | 28' 1" | 24' 4" | 19' 10" | 24' 1" | 21' 10" | 19' 2" | 27' 1" | 24' 4" | 19' 10" |
| 1400S250-54 | 50 | 14' 3" | 10' 8" | 7' 1" | 10' 7" | 8' 2" | 5' 7" | 14' 3" | 10' 8" | 7' 1" | 10' 7" | 8' 2" | 5' 7" |
| 1400S250-68 | 50 | 19' 6" | 16' 10" | 13' 9" | 17' 0" | 13' 9" | 10' 1" | 19' 6" | 16' 10" | 13' 9" | 17' 0" | 13' 9" | 10' 1" |
| 1400S250-97 | 50 | 25' 3" | 21' 10" | 17' 10" | 25' 3" | 21' 10" | 17' 7" | 23' 4" | 21' 3" | 17' 10" | 25' 3" | 21' 10" | 17' 7" |
| 1400S250-118 | 50 | 27' 6" | 25' 0" | 20' 7" | 29' 2" | 25' 3" | 20' 7" | 25' 0" | 22' 8" | 19' 10" | 28' 1" | 25' 3" | 20' 7" |
| 1400S300-54 | 50 | 14' 3" | 10' 8" | 7' 1" | 10' 7" | 8' 2" | 5' 7" | 14' 3" | 10' 8" | 7' 1" | 10' 7" | 8' 2" | 5' 7" |
| 1400S300-68 | 50 | 19' 10" | 17' 3" | 14' 1" | 17' 1" | 13' 10" | 10' 1" | 19' 10" | 17' 3" | 14' 1" | 17' 1" | 13' 10" | 10' 1" |
| 1400S300-97 | 50 | 25' 10" | 22' 4" | 18' 3" | 25' 10" | 22' 4" | 18' 0" | 24' 2" | 22' 0" | 18' 3" | 25' 10" | 22' 4" | 18' 0" |
| 1400S300-118 | 50 | 28' 4" | 25' 9" | 21' 1" | 29' 10" | 25' 10" | 21' 1" | 25' 9" | 23' 6" | 20' 6" | 29' 0" | 25' 10" | 21' 1" |
| 1400S350-54 | 50 | 14' 3" | 10' 8" | 7' 1" | 10' 10" | 8' 3" | 5' 7" | 14' 3" | 10' 8" | 7' 1" | 10' 10" | 8' 3" | 5' 7" |
| 1400S350-68 | 50 | 22' 2" | 19' 3" | 14' 3" | 18' 4" | 14' 9" | 10' 7" | 22' 2" | 19' 3" | 14' 3" | 18' 4" | 14' 9" | 10' 7" |
| 1400S350-97 | 50 | 28' 0" | 24' 8" | 20' 2" | 28' 6" | 24' 8" | 20' 0" | 25' 4" | 23' 1" | 20' 2" | 28' 6" | 24' 8" | 20' 0" |
| 1400S350-118 | 50 | 29' 8" | 27' 0" | 23' 7" | 33' 4" | 29' 3" | 23' 10" | 27' 0" | 24' 6" | 21' 4" | 30' 3" | 27' 7" | 23' 10" |
| 1600S162-68 | 50 | 18' 2" | 15' 9" | 12' 6" | 16' 1" | 12' 10" | 9' 2" | 18' 2" | 15' 9" | 12' 6" | 16' 1" | 12' 10" | 9' 2" |
| 1600S162-97 | 50 | 24' 0" | 20' 9" | 17' 0" | 24' 0" | 20' 9" | 16' 9" | 24' 0" | 20' 9" | 17' 0" | 24' 0" | 20' 9" | 16' 9" |
| 1600S162-118 | 50 | 28' 0" | 24' 2" | 19' 9" | 28' 0" | 24' 2" | 19' 9" | 26' 0" | 23' 7" | 19' 9" | 28' 0" | 24' 2" | 19' 9" |
| 1600S200-68 | 50 | 19' 8" | 17' 1" | 12' 6" | 16' 7" | 13' 2" | 9' 3" | 19' 8" | 17' 1" | 12' 6" | 16' 7" | 13' 2" | 9' 3" |
| 1600S200-97 | 50 | 25' 9" | 22' 4" | 18' 3" | 25' 9" | 22' 4" | 17' 8" | 25' 1" | 22' 4" | 18' 3" | 25' 9" | 22' 4" | 17' 8" |
| 1600S200-118 | 50 | 29' 7" | 25' 10" | 21' 2" | 29' 10" | 25' 10" | 21' 2" | 26' 10" | 24' 6" | 21' 2" | 29' 10" | 25' 10" | 21' 2" |
| 1600S250-68 | 50 | 20' 7" | 17' 9" | 12' 6" | 16' 7" | 13' 2" | 9' 4" | 20' 7" | 17' 9" | 12' 6" | 16' 7" | 13' 2" | 9' 4" |
| 1600S250-97 | 50 | 26' 10" | 23' 3" | 19' 0" | 26' 10" | 23' 2" | 18' 2" | 25' 10" | 23' 3" | 19' 0" | 26' 10" | 23' 2" | 18' 2" |
| 1600S250-118 | 50 | 30' 7" | 27' 0" | 22' 0" | 31' 1" | 27' 0" | 22' 0" | 27' 9" | 25' 3" | 22' 0" | 31' 1" | 27' 0" | 22' 0" |
| 1600S300-68 | 50 | 21' 1" | 18' 3" | 12' 6" | 16' 8" | 13' 3" | 9' 4" | 21' 1" | 18' 3" | 12' 6" | 16' 8" | 13' 3" | 9' 4" |
| 1600S300-97 | 50 | 27' 7" | 23' 10" | 19' 6" | 27' 7" | 23' 9" | 18' 7" | 26' 8" | 23' 10" | 19' 6" | 27' 7" | 23' 9" | 18' 7" |
| 1600S300-118 | 50 | 31' 7" | 27' 8" | 22' 7" | 32' 0" | 27' 8" | 22' 7" | 28' 8" | 26' 1" | 22' 7" | 32' 0" | 27' 8" | 22' 7" |
| 1600S350-68 | 50 | 23' 8" | 18' 8" | 12' 6" | 17' 6" | 13' 8" | 9' 7" | 23' 8" | 18' 8" | 12' 6" | 17' 6" | 13' 8" | 9' 7" |
| 1600S350-97 | 50 | 30' 6" | 26' 4" | 21' 7" | 29' 7" | 25' 0" | 19' 6" | 28' 0" | 25' 4" | 21' 7" | 29' 7" | 25' 0" | 19' 6" |
| 1600S350-118 | 50 | 33' 0" | 30' 0" | 24' 9" | 35' 1" | 30' 4" | 24' 7" | 30' 0" | 27' 2" | 23' 9" | 33' 8" | 30' 4" | 24' 7" |

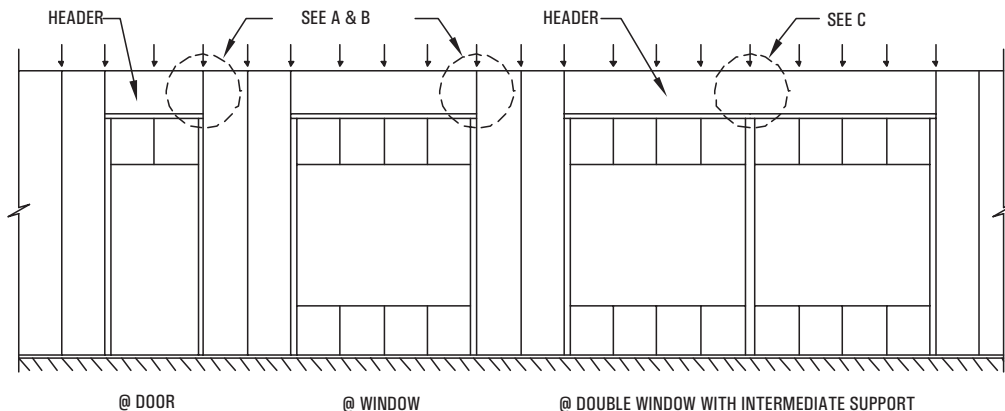
NOTE: See page 43 for Table Notes.

HEADER ALLOWABLE UNIFORM LOADS (lb/ft)

NOTES

1. Values are for unpunched members.
2. Total load deflection is limited to L/360.
3. Headers are made from two "boxed" or back to back members.
4. Allowable moment, shear, web crippling and moment of inertia are based on twice the capacity of a single member.
5. Web crippling check is based on 1" of bearing at end supports.
6. Members are assumed to be adequately braced for bending.
7. Allowable loads are for simply supported headers with uniform bending loads only.
8. "e" web stiffeners required at ends.
9. See General Notes on Page 6.

| MEMBER | DESIGN THICKNESS (in.) | F _y (ksi) | 4 | 5 | 6 | 7 | 8 | 9 | 10 | 11 | 12 | 13 | 14 | 15 | 16 |
|------------------|------------------------|----------------------|---------|---------|--------|--------|--------|--------|--------|--------|--------|--------|--------|--------|--------|
| | | | (ft) | (ft) | (ft) | (ft) | (ft) | (ft) | (ft) | (ft) | (ft) | (ft) | (ft) | (ft) | (ft) |
| 362S162-33 | 0.0346 | 33 | 480.e | 307.e | 214.e | 140.e | 94.e | 66 | - | - | - | - | - | - | - |
| 362S162-43 | 0.0451 | 33 | 705.e | 451.e | 287.e | 181.e | 121 | 85 | 62 | - | - | - | - | - | - |
| 362S162-43 (50) | 0.0451 | 50 | 882.e | 496.e | 287.e | 181 | 121 | 85 | 62 | - | - | - | - | - | - |
| 362S162-54 | 0.0566 | 50 | 1192.e | 610.e | 353 | 222 | 149 | 105 | 76 | 57 | - | - | - | - | - |
| 362S162-68 | 0.0713 | 50 | 1460.e | 747 | 432 | 272 | 182 | 128 | 93 | 70 | 54 | - | - | - | - |
| 362S162-97 | 0.1017 | 50 | 1960.e | 1004 | 581 | 366 | 245 | 172 | 125 | 94 | 73 | 57 | - | - | - |
| 362S162-118 | 0.1242 | 50 | 2285 | 1170 | 677 | 426 | 286 | 201 | 146 | 110 | 85 | 67 | 53 | - | - |
| 600S162-33 | 0.0346 | 33 | 638.e | 510.e | 422.e | 310.e | 238.e | 188.e | 152.e | 118.e | 91.e | 71.e | 57.e | - | - |
| 600S162-43 | 0.0451 | 33 | 1390.e | 889.e | 618.e | 454.e | 347.e | 275.e | 202.e | 152.e | 117.e | 92.e | 74 | 60 | - |
| 600S162-43 (50) | 0.0451 | 50 | 1415.e | 1126.e | 782.e | 575.e | 395.e | 278.e | 202.e | 152.e | 117 | 92 | 74 | 60 | - |
| 600S162-54 | 0.0566 | 50 | 2527.e | 1617.e | 1123.e | 729.e | 488.e | 343.e | 250.e | 188 | 145 | 114 | 91 | 74 | 61 |
| 600S162-68 | 0.0713 | 50 | 3288.e | 2105.e | 1426.e | 898.e | 602.e | 423.e | 308 | 231 | 178 | 140 | 112 | 91 | 75 |
| 600S162-97 | 0.1017 | 50 | 4727.e | 3025.e | 1941.e | 1223.e | 819 | 575 | 419 | 315 | 243 | 191 | 153 | 124 | 102 |
| 600S162-118 | 0.1242 | 50 | 5745.e | 3677.e | 2287.e | 1441 | 965 | 678 | 494 | 371 | 286 | 225 | 180 | 146 | 121 |
| 800S162-33 | 0.0346 | 33 | 474.e | 379.e | 316.e | 271.e | 237.e | 211.e | 187.e | 155.e | 130.e | 111.e | 95.e | 83.e | 72.e |
| 800S162-43 | 0.0451 | 33 | 1051.e | 841.e | 701.e | 548.e | 420.e | 332.e | 269.e | 222.e | 186.e | 159.e | 137.e | 116.e | 96.e |
| 800S162-43 (50) | 0.0451 | 50 | 1051.e | 841.e | 701.e | 601.e | 525.e | 427.e | 346.e | 286.e | 221.e | 174.e | 139.e | 113.e | 93 |
| 800S162-54 | 0.0566 | 50 | 2091.e | 1673.e | 1363.e | 1001.e | 766.e | 606.e | 487.e | 366.e | 282.e | 222.e | 177.e | 144 | 119 |
| 800S162-68 | 0.0713 | 50 | 4150.e | 2656.e | 1845.e | 1355.e | 1038.e | 820.e | 616.e | 463.e | 357.e | 281.e | 225 | 183 | 150 |
| 800S162-97 | 0.1017 | 50 | 6058.e | 3877.e | 2693.e | 1978.e | 1515.e | 1165.e | 849.e | 638.e | 491 | 386 | 309 | 252 | 207 |
| 800S162-118 | 0.1242 | 50 | 8768.e | 5612.e | 3897.e | 2863.e | 1964.e | 1379.e | 1006.e | 755 | 582 | 458 | 366 | 298 | 245 |
| 1000S162-33 | 0.0346 | 33 | 377.e | 302.e | 251.e | 215.e | 188.e | 168.e | 151.e | 137.e | 126.e | 116.e | 108.e | 101.e | 93.e |
| 1000S162-43 | 0.0451 | 33 | 836.e | 669.e | 557.e | 478.e | 418.e | 371.e | 334.e | 284.e | 238.e | 203.e | 175.e | 153.e | 134.e |
| 1000S162-43 (50) | 0.0451 | 50 | 836.e | 669.e | 557.e | 478.e | 418.e | 371.e | 334.e | 304.e | 279.e | 257.e | 224.e | 188.e | 155.e |
| 1000S162-54 | 0.0566 | 50 | 1660.e | 1328.e | 1107.e | 949.e | 830.e | 738.e | 628.e | 519.e | 436.e | 370.e | 297.e | 241.e | 199.e |
| 1000S162-68 | 0.0713 | 50 | 3345.e | 2676.e | 2230.e | 1755.e | 1344.e | 1062.e | 860.e | 711.e | 597.e | 474.e | 380.e | 309.e | 254.e |
| 1000S162-97 | 0.1017 | 50 | 8157.e | 5221.e | 3625.e | 2664.e | 2039.e | 1611.e | 1305.e | 1079.e | 858.e | 675.e | 540.e | 439 | 362 |
| 1000S162-118 | 0.1242 | 50 | 10064.e | 6441.e | 4473.e | 3286.e | 2516.e | 1988.e | 1610.e | 1324.e | 1020.e | 802.e | 642 | 522 | 430 |
| 1200S162-43 | 0.0451 | 33 | 694.e | 555.e | 462.e | 396.e | 347.e | 308.e | 277.e | 252.e | 231.e | 213.e | 198.e | 185.e | 163.e |
| 1200S162-43 (50) | 0.0451 | 50 | 694.e | 555.e | 462.e | 396.e | 347.e | 308.e | 277.e | 252.e | 231.e | 213.e | 198.e | 185.e | 173.e |
| 1200S162-54 | 0.0566 | 50 | 1377.e | 1102.e | 918.e | 787.e | 689.e | 612.e | 551.e | 501.e | 459.e | 424.e | 390.e | 340.e | 298.e |
| 1200S162-68 | 0.0713 | 50 | 2770.e | 2216.e | 1847.e | 1583.e | 1385.e | 1231.e | 1056.e | 873.e | 733.e | 625.e | 539.e | 469.e | 390.e |
| 1200S162-97 | 0.1017 | 50 | 8145.e | 6516.e | 4537.e | 3333.e | 2552.e | 2016.e | 1633.e | 1350.e | 1134.e | 966.e | 833.e | 689.e | 568.e |
| 1200S162-118 | 0.1242 | 50 | 12894.e | 8252.e | 5731.e | 4210.e | 3224.e | 2547.e | 2063.e | 1705.e | 1433.e | 1221.e | 1024.e | 832.e | 686.e |
| 1400S162-54 | 0.0566 | 50 | 1176.e | 941.e | 784.e | 672.e | 588.e | 523.e | 471.e | 428.e | 392.e | 362.e | 336.e | 314.e | 294.e |
| 1400S162-68 | 0.0713 | 50 | 2364.e | 1891.e | 1576.e | 1351.e | 1182.e | 1051.e | 946.e | 860.e | 788.e | 727.e | 638.e | 556.e | 489.e |
| 1400S162-97 | 0.1017 | 50 | 6938.e | 5550.e | 4625.e | 3964.e | 3065.e | 2422.e | 1962.e | 1621.e | 1362.e | 1161.e | 1001.e | 872.e | 766.e |
| 1400S162-118 | 0.1242 | 50 | 12743.e | 10031.e | 6966.e | 5118.e | 3918.e | 3096.e | 2508.e | 2072.e | 1741.e | 1484.e | 1279.e | 1115.e | 980.e |
| 1600S162-68 | 0.0713 | 50 | 2062.e | 1649.e | 1375.e | 1178.e | 1031.e | 916.e | 825.e | 750.e | 687.e | 634.e | 589.e | 550.e | 515.e |
| 1600S162-97 | 0.1017 | 50 | 6042.e | 4834.e | 4028.e | 3453.e | 3021.e | 2685.e | 2291.e | 1893.e | 1591.e | 1355.e | 1169.e | 1018.e | 895.e |
| 1600S162-118 | 0.1242 | 50 | 11086.e | 8868.e | 7390.e | 6027.e | 4615.e | 3646.e | 2953.e | 2441.e | 2051.e | 1748.e | 1507.e | 1313.e | 1154.e |



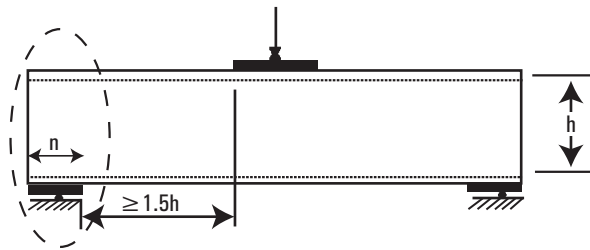
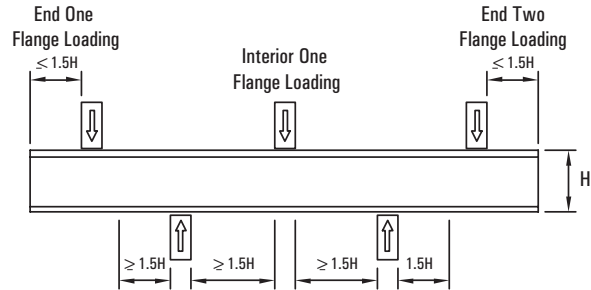
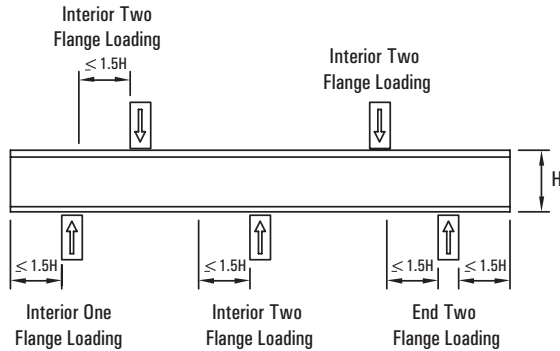
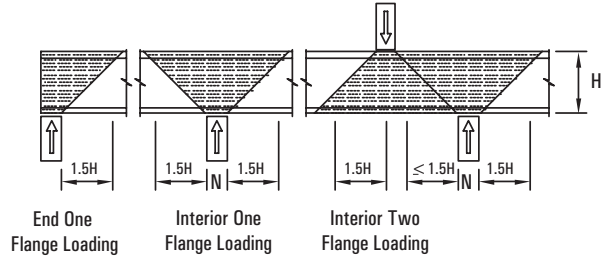
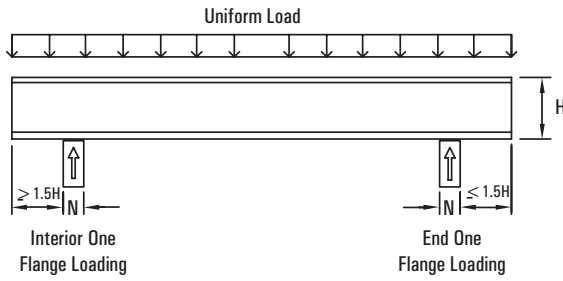
For more information, please contact MarinoWARE® Technical Services at 866.545.1545
 This technical information reflects the most current information available and supersedes any and all previous publications effective February 17, 2023 | MW-Cold Formed Catalog | © WARE Industries, Inc., 2023

WEB CRIPPLING LOAD TABLES

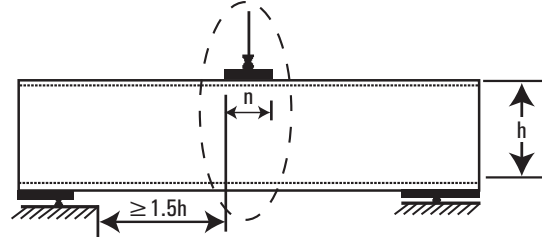
NOTES

1. Listed allowable loads apply only to C-sections.
2. For back-to-back members, the listed allowable loads are for the entire two-member assembly.
3. Listed allowable loads are based on members "fastened to supports", except back-to-back members under two-flange loading (Cases 3 and 4) for which data for "fastened to support" is unavailable in AISI S100.
4. For back-to-back members, the distance between the web connectors and the flange shall be kept to a minimum.
5. Listed allowable loads are for non-punched webs. Capacity reductions for end and interior one flange loading (Cases 1 and 2) near punchouts can be calculated based on AISI S100 (G6).
6. "h" refers to the flat dimension of the web. See web depth-to-thickness ratios table herein.
7. + If $N/h > 2$, then N was set equal to 2h.
8. * If $N/t > 210$, then N was set equal to 210(t)
9. See General Notes on Page 6.

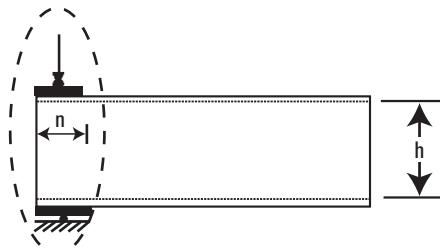
Web Crippling Cases



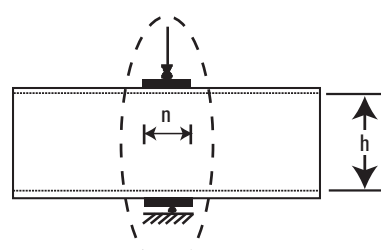
END ONE FLANGE LOADING - CASE 1



INTERIOR ONE FLANGE LOADING - CASE 2



END TWO FLANGE LOADING - CASE 3



INTERIOR TWO FLANGE LOADING - CASE 4

WEB CRIPPLING LOAD TABLES

Allowable Web Crippling Loads (lbs) - Single Members

| MEMBER | DESIGN THICKNESS (in.) | DESIGNATION THICKNESS (mils) | F _y (ksi) | CASE 1 | | | CASE 2 | | | CASE 3 | | | CASE 4 | | |
|--------|---------------------------|---------------------------------|-------------------------|--|------|-------|--|------|-------|--|------|-------|--|-------|-------|
| | | | | FASTENED TO SUPPORT BEARING LENGTH (in.) | | | FASTENED TO SUPPORT BEARING LENGTH (in.) | | | FASTENED TO SUPPORT BEARING LENGTH (in.) | | | FASTENED TO SUPPORT BEARING LENGTH (in.) | | |
| | | | | 1.0 | 3.5 | 6.0 | 1.0 | 3.5 | 6.0 | 1.0 | 3.5 | 6.0 | 1.0 | 3.5 | 6.0 |
| 250S | 0.0346 | 33 | 33 | 173 | 271 | 300+ | 330 | 453 | 491+ | 150 | 201 | 216+ | 411 | 519 | 552+ |
| | 0.0451 | 43 | 33 | 287 | 443 | 489+ | 580 | 780 | 840+ | 267 | 351 | 376+ | 720 | 892 | 943+ |
| | 0.0451 | 43 | 50 | 435 | 671 | 741+ | 878 | 1182 | 1272+ | 405 | 532 | 570+ | 1092 | 1352 | 1429+ |
| | 0.0566 | 54 | 50 | 656 | 996 | 1087+ | 1350 | 1785 | 1903+ | 652 | 842 | 893+ | 1730 | 2109 | 2212+ |
| | 0.0713 | 68 | 50 | 990 | 1480 | 1592+ | 2073 | 2693 | 2836+ | 1049 | 1333 | 1398+ | 2750 | 3302 | 3428+ |
| | 0.1017 | 97 | 50 | 1872 | 2726 | 2848+ | 4025 | 5095 | 5248+ | 2167 | 2683 | 2757+ | 5597 | 6575 | 6715+ |
| 362S | 0.0346 | 33 | 33 | 165 | 259 | 322 | 323 | 444 | 525 | 129 | 173 | 202 | 381 | 480 | 547 |
| | 0.0451 | 43 | 33 | 277 | 427 | 526 | 570 | 767 | 898 | 236 | 311 | 360 | 675 | 836 | 943 |
| | 0.0451 | 43 | 50 | 419 | 647 | 798 | 863 | 1162 | 1360 | 358 | 471 | 546 | 1023 | 1267 | 1429 |
| | 0.0566 | 54 | 50 | 634 | 963 | 1182 | 1329 | 1758 | 2043 | 588 | 760 | 874 | 1635 | 1994 | 2232 |
| | 0.0713 | 68 | 50 | 962 | 1437 | 1752 | 2044 | 2657 | 3064 | 961 | 1221 | 1393 | 2618 | 3143 | 3492 |
| | 0.1017 | 97 | 50 | 1827 | 2659 | 3212 | 3978 | 5035 | 5738 | 2020 | 2501 | 2821 | 5374 | 6313 | 6936 |
| 0.1242 | 118 | 50 | 2625 | 3764 | 4521 | 5799 | 7235 | 8189 | 3053 | 3729 | 4178 | 8044 | 9340 | 10201 | |
| 400S | 0.0346 | 33 | 33 | 163 | 256 | 317 | 322 | 442 | 522 | 122 | 164 | 192 | 372 | 469 | 534 |
| | 0.0451 | 43 | 33 | 274 | 422 | 520 | 567 | 763 | 893 | 227 | 299 | 346 | 662 | 819 | 924 |
| | 0.0451 | 43 | 50 | 415 | 639 | 789 | 859 | 1156 | 1354 | 344 | 453 | 525 | 1003 | 1242 | 1400 |
| | 0.0566 | 54 | 50 | 628 | 954 | 1170 | 1323 | 1750 | 2034 | 569 | 735 | 846 | 1607 | 1960 | 2194 |
| | 0.0713 | 68 | 50 | 953 | 1424 | 1737 | 2036 | 2646 | 3051 | 936 | 1188 | 1356 | 2579 | 3096 | 3440 |
| | 0.1017 | 97 | 50 | 1814 | 2640 | 3189 | 3965 | 5018 | 5718 | 1978 | 2448 | 2761 | 5309 | 6236 | 6852 |
| 0.1242 | 118 | 50 | 2608 | 3739 | 4491 | 5781 | 7212 | 8163 | 2996 | 3659 | 4099 | 7956 | 9238 | 10090 | |
| 600S | 0.0346 | 33 | 33 | 153 | 240 | 297 | 313 | 430 | 507 | 93 | 125 | 146 | 329 | 416 | 473 |
| | 0.0451 | 43 | 33 | 259 | 400 | 493 | 553 | 745 | 872 | 185 | 243 | 282 | 600 | 743 | 838 |
| | 0.0451 | 43 | 50 | 393 | 605 | 747 | 838 | 1128 | 1321 | 281 | 369 | 427 | 909 | 1125 | 1269 |
| | 0.0566 | 54 | 50 | 599 | 909 | 1116 | 1295 | 1713 | 1991 | 482 | 623 | 716 | 1478 | 1802 | 2017 |
| | 0.0713 | 68 | 50 | 914 | 1366 | 1666 | 1998 | 2596 | 2994 | 816 | 1036 | 1183 | 2399 | 2881 | 3201 |
| | 0.1017 | 97 | 50 | 1752 | 2551 | 3081 | 3902 | 4939 | 5628 | 1781 | 2205 | 2487 | 5010 | 5885 | 6466 |
| 0.1242 | 118 | 50 | 2528 | 3625 | 4354 | 5698 | 7108 | 8046 | 2734 | 3339 | 3741 | 7555 | 8772 | 9581 | |
| 800S | 0.0451 | 43 | 33 | 247 | 381 | 470 | 542 | 730 | 854 | 150 | 197 | 228 | 548 | 678 | 765 |
| | 0.0451 | 43 | 50 | 374 | 577 | 712 | 821 | 1105 | 1294 | 227 | 298 | 346 | 830 | 1028 | 1159 |
| | 0.0566 | 54 | 50 | 575 | 872 | 1070 | 1272 | 1682 | 1955 | 409 | 529 | 608 | 1370 | 1670 | 1869 |
| | 0.0713 | 68 | 50 | 882 | 1318 | 1607 | 1966 | 2555 | 2946 | 716 | 910 | 1038 | 2250 | 2701 | 3001 |
| | 0.1017 | 97 | 50 | 1702 | 2477 | 2992 | 3850 | 4873 | 5553 | 1618 | 2003 | 2259 | 4761 | 5593 | 6145 |
| | 0.1242 | 118 | 50 | 2462 | 3531 | 4241 | 5629 | 7023 | 7949 | 2518 | 3075 | 3445 | 7223 | 8387 | 9160 |
| 1000S | 0.0566 | 54 | 50 | 553 | 840 | 1031 | 1251 | 1655 | 1923 | 346 | 447 | 514 | 1275 | 1554 | 1740 |
| | 0.0713 | 68 | 50 | 854 | 1275 | 1555 | 1938 | 2518 | 2904 | 629 | 799 | 912 | 2119 | 2544 | 2826 |
| | 0.1017 | 97 | 50 | 1657 | 2412 | 2914 | 3805 | 4815 | 5487 | 1476 | 1827 | 2060 | 4545 | 5338 | 5866 |
| | 0.1242 | 118 | 50 | 2405 | 3449 | 4143 | 5569 | 6948 | 7864 | 2330 | 2845 | 3187 | 6934 | 8051 | 8794 |
| 1200S | 0.0713 | 68 | 50 | 828 | 1237 | 1509 | 1913 | 2485 | 2866 | 551 | 699 | 798 | 2001 | 2402 | 2669 |
| | 0.1017 | 97 | 50 | 1618 | 2355 | 2844 | 3764 | 4764 | 5428 | 1348 | 1668 | 1882 | 4350 | 5109 | 5614 |
| | 0.1242 | 118 | 50 | 2354 | 3375 | 4054 | 5515 | 6881 | 7788 | 2161 | 2638 | 2956 | 6675 | 7750 | 8465 |
| 1400S | 0.0713 | 68 | 50 | 805 | 1202 | 1466 | 1889 | 2455 | 2831 | 479 | 608 | 694 | 1892 | 2272 | 2525 |
| | 0.1017 | 97 | 50 | 1581 | 2301 | 2780 | 3726 | 4716 | 5374 | 1230 | 1523 | 1718 | 4171 | 4900 | 5384 |
| | 0.1242 | 118 | 50 | 2307 | 3308 | 3973 | 5466 | 6819 | 7719 | 2006 | 2449 | 2744 | 6437 | 7474 | 8164 |
| 1600S | 0.1017 | 97 | 50 | 1547 | 2252 | 2721 | 3692 | 4673 | 5324 | 1121 | 1388 | 1566 | 4005 | 4705 | 5170 |
| | 0.1242 | 118 | 50 | 2263 | 3245 | 3898 | 5420 | 6762 | 7654 | 1862 | 2274 | 2548 | 6217 | 7219 | 7884 |

NOTE: See page 58 for Table Notes.

WEB CRIPPLING LOADS

Allowable Web Crippling Loads (lbs) - Back to Back Members

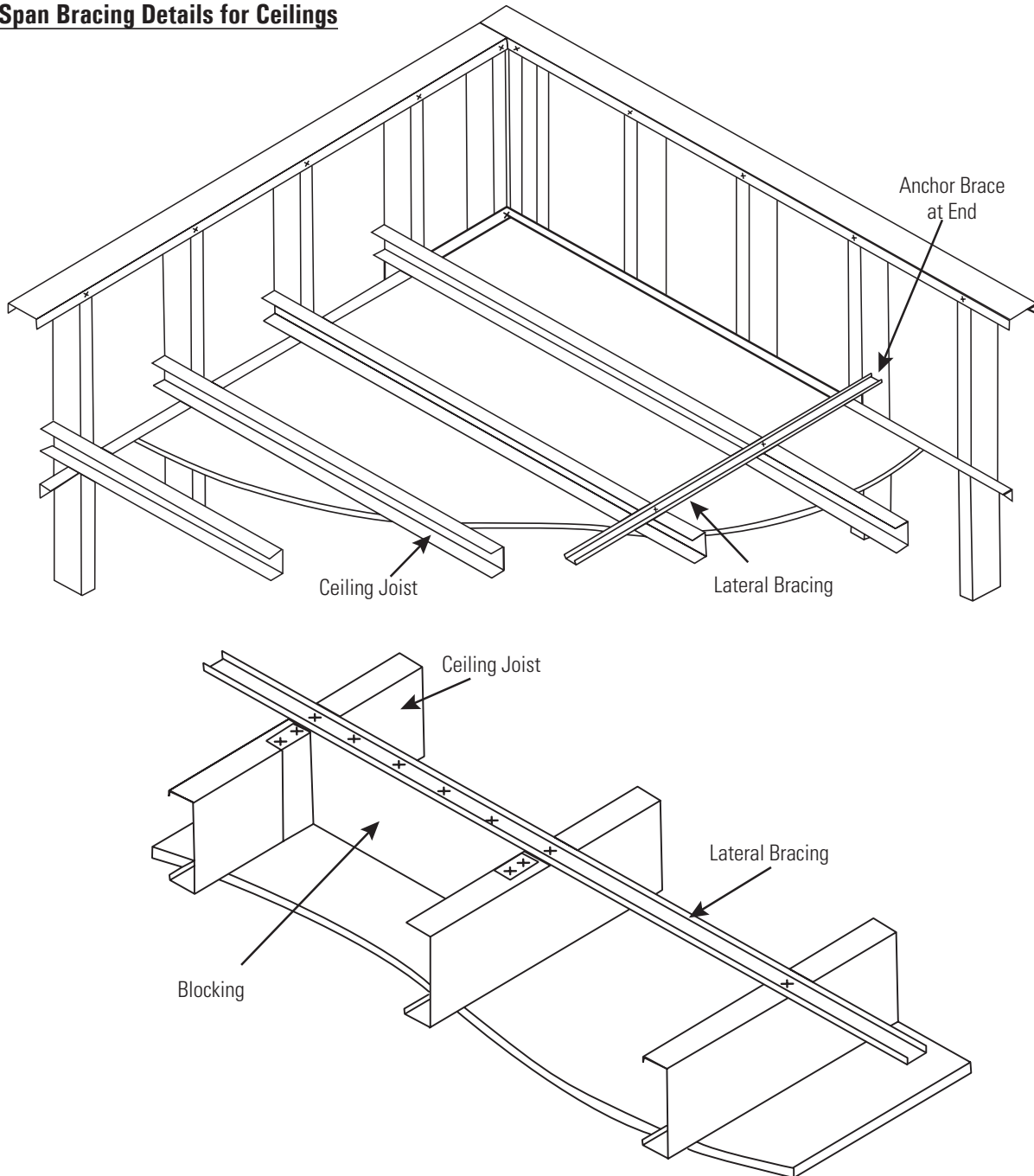
| MEMBER | DESIGN THICKNESS (in.) | DESIGNATION THICKNESS (mils) | F _y (ksi) | CASE 1 | | | CASE 2 | | | CASE 3 | | | Case 4 | | |
|--------|------------------------|------------------------------|----------------------|--|--------|--------|--|--------|--------|--|--------|-------|--|--------|--------|
| | | | | FASTENED TO SUPPORT BEARING LENGTH (in.) | | | FASTENED TO SUPPORT BEARING LENGTH (in.) | | | FASTENED TO SUPPORT BEARING LENGTH (in.) | | | FASTENED TO SUPPORT BEARING LENGTH (in.) | | |
| | | | | 1.0 | 3.5 | 6.0 | 1.0 | 3.5 | 6.0 | 1.0 | 3.5 | 6.0 | 1.0 | 3.5 | 6.0 |
| 250S | 0.0346 | 33 | 33 | 777 | 1015+ | 1015+ | 1092 | 1298+ | 1298+ | 512 | 591+ | 591+ | 1088 | 1255+ | 1255+ |
| | 0.0451 | 43 | 33 | 1273 | 1640+ | 1640+ | 1864 | 2186+ | 2186+ | 910 | 1036+ | 1036+ | 1964 | 2236+ | 2236+ |
| | 0.0451 | 43 | 50 | 1929 | 2484+ | 2484+ | 2824 | 3312+ | 3312+ | 1379 | 1570+ | 1570+ | 2976 | 3388+ | 3388+ |
| | 0.0566 | 54 | 50 | 2871 | 3630+ | 3630+ | 4318 | 4986+ | 4986+ | 2213 | 2485+ | 2485+ | 4786 | 5375+ | 5375+ |
| | 0.0713 | 68 | 50 | 4291 | 5310+ | 5310+ | 6621 | 7518+ | 7518+ | 3557 | 3937+ | 3937+ | 7692 | 8515+ | 8515+ |
| | 0.1017 | 97 | 50 | 8011 | 9551+ | 9551+ | 12845 | 14200+ | 14200+ | 7342 | 7948+ | 7948+ | 15879 | 17189+ | 17189+ |
| 362S | 0.0346 | 33 | 33 | 776 | 1170+ | 1170+ | 1090 | 1432+ | 1432+ | 458 | 574+ | 574+ | 972 | 1219+ | 1219+ |
| | 0.0451 | 43 | 33 | 1271 | 1880+ | 1880+ | 1861 | 2396+ | 2396+ | 830 | 1021+ | 1021+ | 1790 | 2203+ | 2203+ |
| | 0.0451 | 43 | 50 | 1926 | 2848+ | 2848+ | 2820 | 3630+ | 3630+ | 1257 | 1547+ | 1547+ | 2713 | 3338+ | 3338+ |
| | 0.0566 | 54 | 50 | 2867 | 4150+ | 4150+ | 4312 | 5441+ | 5441+ | 2045 | 2471+ | 2471+ | 4422 | 5343+ | 5343+ |
| | 0.0713 | 68 | 50 | 4285 | 6057+ | 6057+ | 6613 | 8171+ | 8171+ | 3322 | 3941+ | 3941+ | 7185 | 8523+ | 8523+ |
| | 0.1017 | 97 | 50 | 8002 | 10866+ | 10866+ | 12831 | 15350+ | 15350+ | 6946 | 8012+ | 8012+ | 15022 | 17328+ | 17328+ |
| 0.1242 | 118 | 50 | 11411 | 15115+ | 15115+ | 18681 | 21940+ | 21940+ | 10484 | 11906+ | 11906+ | 22675 | 25750+ | 25750+ | |
| 400S | 0.0346 | 33 | 33 | 776 | 1181 | 1215+ | 1089 | 1442 | 1471+ | 442 | 557 | 567+ | 937 | 1183 | 1203+ |
| | 0.0451 | 43 | 33 | 1271 | 1900 | 1951+ | 1860 | 2413 | 2457+ | 806 | 998 | 1013+ | 1739 | 2154 | 2187+ |
| | 0.0451 | 43 | 50 | 1925 | 2879 | 2956+ | 2818 | 3656 | 3723+ | 1221 | 1512 | 1536+ | 2635 | 3263 | 3314+ |
| | 0.0566 | 54 | 50 | 2866 | 4215 | 4303+ | 4310 | 5497 | 5575+ | 1995 | 2432 | 2461+ | 4315 | 5260 | 5322+ |
| | 0.0713 | 68 | 50 | 4284 | 6193 | 6276+ | 6610 | 8290 | 8363+ | 3253 | 3906 | 3935+ | 7036 | 8448 | 8510+ |
| | 0.1017 | 97 | 50 | 8000 | 11248+ | 11248+ | 12827 | 15684+ | 15684+ | 6830 | 8020+ | 8020+ | 14772 | 17346+ | 17346+ |
| 0.1242 | 118 | 50 | 11408 | 15641+ | 15641+ | 18676 | 22399+ | 22399+ | 10329 | 11930+ | 11930+ | 22338 | 25802+ | 25802+ | |
| 600S | 0.0346 | 33 | 33 | 774 | 1178 | 1426+ | 1086 | 1438 | 1653+ | 366 | 462 | 521+ | 778 | 982 | 1107+ |
| | 0.0451 | 43 | 33 | 1268 | 1896 | 2279+ | 1856 | 2408 | 2744+ | 696 | 862 | 963+ | 1501 | 1859 | 2077+ |
| | 0.0451 | 43 | 50 | 1921 | 2873 | 3452+ | 2812 | 3648 | 4157+ | 1054 | 1305 | 1458+ | 2275 | 2817 | 3147+ |
| | 0.0566 | 54 | 50 | 2860 | 4207 | 5011+ | 4302 | 5486 | 6193+ | 1765 | 2152 | 2383+ | 3818 | 4654 | 5154+ |
| | 0.0713 | 68 | 50 | 4276 | 6182 | 7287+ | 6599 | 8275 | 9247+ | 2935 | 3524 | 3865+ | 6347 | 7621 | 8359+ |
| | 0.1017 | 97 | 50 | 7988 | 11240 | 13004+ | 12808 | 15668 | 17220+ | 6299 | 7399 | 7996+ | 13623 | 16002 | 17294+ |
| 0.1242 | 118 | 50 | 11392 | 15784 | 18046+ | 18650 | 22513 | 24503+ | 9616 | 11165 | 11963+ | 20797 | 24147 | 25873+ | |
| 800S | 0.0451 | 43 | 33 | 1266 | 1892 | 2309 | 1853 | 2403 | 2769 | 603 | 747 | 843 | 1302 | 1613 | 1819 |
| | 0.0451 | 43 | 50 | 1918 | 2867 | 3498 | 2807 | 3641 | 4195 | 914 | 1132 | 1277 | 1973 | 2443 | 2756 |
| | 0.0566 | 54 | 50 | 2855 | 4200 | 5093 | 4295 | 5477 | 6263 | 1573 | 1918 | 2147 | 3402 | 4148 | 4643 |
| | 0.0713 | 68 | 50 | 4270 | 6173 | 7438 | 6589 | 8263 | 9375 | 2669 | 3205 | 3561 | 5772 | 6931 | 7701 |
| | 0.1017 | 97 | 50 | 7978 | 11226 | 13384 | 12792 | 15649 | 17547 | 5859 | 6882 | 7562 | 12671 | 14883 | 16354 |
| | 0.1242 | 118 | 50 | 11379 | 15766 | 18682 | 18629 | 22488 | 25052 | 9028 | 10482 | 11449 | 19524 | 22670 | 24760 |
| 1000S | 0.0566 | 54 | 50 | 2851 | 4194 | 5086 | 4288 | 5469 | 6254 | 1405 | 1713 | 1917 | 3038 | 3704 | 4146 |
| | 0.0713 | 68 | 50 | 4264 | 6165 | 7428 | 6580 | 8252 | 9363 | 2437 | 2926 | 3251 | 5270 | 6327 | 7030 |
| | 0.1017 | 97 | 50 | 7969 | 11213 | 13369 | 12778 | 15631 | 17528 | 5474 | 6430 | 7065 | 11839 | 13906 | 15280 |
| | 0.1242 | 118 | 50 | 11368 | 15751 | 18663 | 18610 | 22466 | 25027 | 8515 | 9887 | 10798 | 18416 | 21383 | 23354 |
| 1200S | 0.0713 | 68 | 50 | 4259 | 6158 | 7419 | 6573 | 8243 | 9352 | 2227 | 2674 | 2971 | 4817 | 5784 | 6426 |
| | 0.1017 | 97 | 50 | 7961 | 11202 | 13356 | 12765 | 15616 | 17511 | 5128 | 6024 | 6619 | 11091 | 13028 | 14315 |
| | 0.1242 | 118 | 50 | 11358 | 15737 | 18647 | 18594 | 22446 | 25005 | 8055 | 9352 | 10215 | 17420 | 20227 | 22091 |
| 1400S | 0.0713 | 68 | 50 | 4255 | 6151 | 7411 | 6566 | 8234 | 9342 | 2035 | 2444 | 2715 | 4401 | 5285 | 5872 |
| | 0.1017 | 97 | 50 | 7954 | 11192 | 13344 | 12754 | 15602 | 17495 | 4811 | 5651 | 6210 | 10405 | 12223 | 13430 |
| | 0.1242 | 118 | 50 | 11348 | 15724 | 18631 | 18579 | 22427 | 24985 | 7633 | 8863 | 9680 | 16509 | 19168 | 20936 |
| 1600S | 0.1017 | 97 | 50 | 7947 | 11183 | 13333 | 12743 | 15589 | 17480 | 4517 | 5306 | 5830 | 9769 | 11475 | 12609 |
| | 0.1242 | 118 | 50 | 11340 | 15712 | 18617 | 18565 | 22410 | 24966 | 7242 | 8409 | 9184 | 15663 | 18187 | 19864 |

NOTE: See page 58 for Table Notes.

NOTES

1. Values are for simple span conditions.
2. For unbraced sections, the allowable moment is based on AISI S100 with the unbraced length assumed to be the listed span. For mid-span braced members, the allowable moment is based on AISI S100 with the unbraced length to be half the listed span.
3. Web crippling calculation is based on a bearing length of 1".
4. Web crippling and shear capacity have NOT been reduced for punchouts. If web punchouts occur near supports, members must be checked for reduced shear and web crippling based on AISI S100.
5. "e" indicates that web stiffeners are required at ends.
6. * 13 psf requires a G60 minimum coating.
7. See General Notes on Page 6.

Mid-Span Bracing Details for Ceilings



General Note: All connections should be designed by a licensed design professional.

CEILING SPANS (C-SECTIONS)

Allowable Ceiling Spans (ft) - L/240

| MEMBER | F _y (ksi) | 4 psf LATERAL SPPORT OF COMPRESSION FLANGE | | | | | | 6 psf LATERAL SPPORT OF COMPRESSION FLANGE | | | | | | 13 psf* LATERAL SPPORT OF COMPRESSION FLANGE | | | | | | | | | | | | |
|-----------------|----------------------|--|---------|--------|---------|---------|---------|--|--------|---------|--------------------------|---------|---------|--|---------|--------|---------|---------|---------|--------------------------|--|--|--|--|--|--|
| | | UNSUPPORTED | | | MIDSPAN | | | UNSUPPORTED | | | MIDSPAN | | | UNSUPPORTED | | | MIDSPAN | | | | | | | | | |
| | | JOIST SPACING (in.) o.c. | | | | | | | | | JOIST SPACING (in.) o.c. | | | | | | | | | JOIST SPACING (in.) o.c. | | | | | | |
| 12 | 16 | 24 | 12 | 16 | 24 | 12 | 16 | 24 | 12 | 16 | 24 | 12 | 16 | 24 | 12 | 16 | 24 | 12 | 16 | 24 | | | | | | |
| 250S137-33 | 33 | 11' 9" | 10' 10" | 9' 9" | 14' 11" | 13' 6" | 11' 10" | 10' 6" | 9' 9" | 8' 8" | 13' 0" | 11' 10" | 10' 4" | 8' 6" | 7' 10" | 7' 0" | 10' 0" | 9' 1" | 8' 0" | | | | | | | |
| 250S137-43 | 33 | 13' 2" | 12' 1" | 10' 9" | 16' 2" | 14' 8" | 12' 10" | 11' 8" | 10' 9" | 9' 7" | 14' 2" | 12' 10" | 11' 3" | 9' 4" | 8' 7" | 7' 8" | 10' 11" | 9' 11" | 8' 8" | | | | | | | |
| 250S137-43 (50) | 50 | 13' 2" | 12' 1" | 10' 9" | 16' 2" | 14' 8" | 12' 10" | 11' 8" | 10' 9" | 9' 7" | 14' 2" | 12' 10" | 11' 3" | 9' 4" | 8' 7" | 7' 8" | 10' 11" | 9' 11" | 8' 8" | | | | | | | |
| 250S162-33 | 33 | 13' 5" | 12' 5" | 11' 1" | 15' 8" | 14' 3" | 12' 5" | 12' 0" | 11' 1" | 10' 0" | 13' 8" | 12' 5" | 10' 10" | 9' 9" | 9' 0" | 8' 0" | 10' 7" | 9' 7" | 8' 4" | | | | | | | |
| 250S162-43 | 33 | 14' 11" | 13' 9" | 12' 3" | 17' 0" | 15' 5" | 13' 6" | 13' 3" | 12' 3" | 10' 11" | 14' 10" | 13' 6" | 11' 9" | 10' 8" | 9' 10" | 8' 9" | 11' 6" | 10' 5" | 9' 1" | | | | | | | |
| 250S162-43 (50) | 50 | 14' 11" | 13' 9" | 12' 3" | 17' 0" | 15' 5" | 13' 6" | 13' 3" | 12' 3" | 10' 11" | 14' 10" | 13' 6" | 11' 9" | 10' 8" | 9' 10" | 8' 10" | 11' 6" | 10' 5" | 9' 1" | | | | | | | |
| 362S137-33 | 33 | 12' 11" | 11' 11" | 10' 8" | 18' 3" | 16' 11" | 15' 2" | 11' 7" | 10' 8" | 9' 7" | 16' 4" | 15' 2" | 13' 5" | 9' 5" | 8' 9" | 7' 10" | 13' 1" | 11' 11" | 10' 2" | | | | | | | |
| 362S137-43 | 33 | 14' 4" | 13' 2" | 11' 9" | 20' 0" | 18' 6" | 16' 6" | 12' 9" | 11' 9" | 10' 6" | 17' 10" | 16' 6" | 14' 9" | 10' 3" | 9' 6" | 8' 6" | 14' 5" | 13' 2" | 11' 5" | | | | | | | |
| 362S137-43 (50) | 50 | 14' 4" | 13' 2" | 11' 9" | 20' 0" | 18' 6" | 16' 6" | 12' 9" | 11' 9" | 10' 6" | 17' 10" | 16' 6" | 14' 9" | 10' 3" | 9' 6" | 8' 6" | 14' 5" | 13' 3" | 11' 6" | | | | | | | |
| 362S162-33 | 33 | 14' 8" | 13' 7" | 12' 2" | 20' 9" | 18' 11" | 16' 6" | 13' 2" | 12' 2" | 11' 0" | 18' 2" | 16' 6" | 14' 5" | 10' 9" | 9' 11" | 8' 11" | 14' 0" | 12' 9" | 11' 1" | | | | | | | |
| 362S162-43 | 33 | 16' 2" | 14' 11" | 13' 4" | 22' 7" | 20' 7" | 17' 11" | 14' 5" | 13' 4" | 11' 11" | 19' 9" | 17' 11" | 15' 8" | 11' 8" | 10' 9" | 9' 8" | 15' 3" | 13' 10" | 12' 1" | | | | | | | |
| 362S162-43 (50) | 50 | 16' 2" | 14' 11" | 13' 4" | 22' 7" | 20' 7" | 17' 11" | 14' 5" | 13' 4" | 11' 11" | 19' 9" | 17' 11" | 15' 8" | 11' 8" | 10' 9" | 9' 8" | 15' 3" | 13' 10" | 12' 1" | | | | | | | |
| 400S137-33 | 33 | 13' 3" | 12' 3" | 11' 0" | 18' 9" | 17' 4" | 15' 6" | 11' 11" | 11' 0" | 9' 10" | 16' 9" | 15' 6" | 13' 10" | 9' 8" | 9' 0" | 8' 1" | 13' 6" | 12' 4" | 10' 7" | | | | | | | |
| 400S137-43 | 33 | 14' 8" | 13' 6" | 12' 0" | 20' 6" | 18' 11" | 16' 11" | 13' 0" | 12' 0" | 10' 9" | 18' 4" | 16' 11" | 15' 2" | 10' 6" | 9' 9" | 8' 8" | 14' 10" | 13' 7" | 11' 10" | | | | | | | |
| 400S137-43 (50) | 50 | 14' 8" | 13' 6" | 12' 0" | 20' 6" | 18' 11" | 16' 11" | 13' 0" | 12' 0" | 10' 9" | 18' 4" | 16' 11" | 15' 2" | 10' 6" | 9' 9" | 8' 8" | 14' 10" | 13' 9" | 12' 4" | | | | | | | |
| 400S162-33 | 33 | 15' 1" | 14' 0" | 12' 6" | 21' 5" | 19' 10" | 17' 9" | 13' 6" | 12' 6" | 11' 3" | 19' 2" | 17' 9" | 15' 6" | 11' 0" | 10' 3" | 9' 3" | 15' 2" | 13' 9" | 11' 9" | | | | | | | |
| 400S162-43 | 33 | 16' 7" | 15' 3" | 13' 8" | 23' 4" | 21' 7" | 19' 4" | 14' 9" | 13' 8" | 12' 3" | 20' 10" | 19' 4" | 16' 11" | 12' 0" | 11' 1" | 9' 11" | 16' 6" | 15' 0" | 13' 1" | | | | | | | |
| 400S162-43 (50) | 50 | 16' 7" | 15' 3" | 13' 8" | 23' 4" | 21' 7" | 19' 4" | 14' 9" | 13' 8" | 12' 3" | 20' 10" | 19' 4" | 16' 11" | 12' 0" | 11' 1" | 9' 11" | 16' 6" | 15' 0" | 13' 1" | | | | | | | |
| 600S137-33 | 33 | 14' 10" | 13' 9" | 12' 4" | 21' 4" | 19' 10" | 17' 10" | 13' 4" | 12' 4" | 11' 1" | 19' 3" | 17' 10" | 16' 0" | 10' 10" | 10' 1" | 9' 1" | 15' 8" | 14' 6" | 12' 10" | | | | | | | |
| 600S137-43 | 33 | 16' 2" | 15' 0" | 13' 5" | 23' 0" | 21' 4" | 19' 2" | 14' 6" | 13' 5" | 12' 0" | 20' 8" | 19' 2" | 17' 3" | 11' 9" | 10' 10" | 9' 9" | 16' 11" | 15' 8" | 14' 1" | | | | | | | |
| 600S137-43 (50) | 50 | 16' 2" | 15' 0" | 13' 5" | 23' 0" | 21' 4" | 19' 2" | 14' 6" | 13' 5" | 12' 0" | 20' 8" | 19' 2" | 17' 3" | 11' 9" | 10' 10" | 9' 9" | 16' 11" | 15' 8" | 14' 1" | | | | | | | |
| 600S162-33 | 33 | 16' 10" | 15' 8" | 14' 1" | 24' 4" | 22' 7" | 20' 4" | 15' 2" | 14' 1" | 12' 8" | 21' 11" | 20' 4" | 18' 4" | 12' 5" | 11' 6" | 10' 4" | 18' 0" | 16' 8" | 14' 10" | | | | | | | |
| 600S162-43 | 33 | 18' 4" | 17' 0" | 15' 3" | 26' 3" | 24' 4" | 21' 10" | 16' 5" | 15' 3" | 13' 8" | 23' 7" | 21' 10" | 19' 8" | 13' 4" | 12' 5" | 11' 2" | 19' 3" | 17' 11" | 16' 0" | | | | | | | |
| 600S162-43 (50) | 50 | 18' 4" | 17' 0" | 15' 3" | 26' 3" | 24' 4" | 21' 10" | 16' 5" | 15' 3" | 13' 8" | 23' 7" | 21' 10" | 19' 8" | 13' 4" | 12' 5" | 11' 2" | 19' 3" | 17' 11" | 16' 1" | | | | | | | |
| 800S137-33 | 33 | 16' 1" | 14' 11" | 13' 5" | 23' 2" | 21' 5" | 19' 2" | 14' 6" | 13' 5" | 12' 1" | 20' 9" | 19' 2" | 17' 2" | 11' 10" | 11' 0" | 9' 11" | 16' 10" | 15' 7" | 14' 0" | | | | | | | |
| 800S137-43 | 33 | 17' 6" | 16' 2" | 14' 6" | 25' 0" | 23' 2" | 20' 10" | 15' 8" | 14' 6" | 13' 0" | 22' 6" | 20' 10" | 18' 9" | 12' 9" | 11' 10" | 10' 7" | 18' 4" | 17' 0" | 15' 3" | | | | | | | |
| 800S137-43 (50) | 50 | 17' 6" | 16' 2" | 14' 6" | 25' 0" | 23' 2" | 20' 10" | 15' 8" | 14' 6" | 13' 0" | 22' 6" | 20' 10" | 18' 9" | 12' 9" | 11' 10" | 10' 7" | 18' 4" | 17' 0" | 15' 3" | | | | | | | |
| 800S162-33 | 33 | 18' 4" | 17' 0" | 15' 4" | 26' 4" | 24' 4" | 21' 10" | 16' 6" | 15' 4" | 13' 9" | 23' 7" | 21' 10" | 19' 7" | 13' 6" | 12' 6" | 11' 3" | 19' 2" | 17' 9" | 15' 10" | | | | | | | |
| 800S162-43 | 33 | 19' 10" | 18' 4" | 16' 6" | 28' 6" | 26' 5" | 23' 9" | 17' 10" | 16' 6" | 14' 10" | 25' 8" | 23' 9" | 21' 4" | 14' 6" | 13' 6" | 12' 1" | 20' 11" | 19' 4" | 17' 4" | | | | | | | |
| 800S162-43 (50) | 50 | 19' 10" | 18' 4" | 16' 6" | 28' 6" | 26' 5" | 23' 9" | 17' 10" | 16' 6" | 14' 10" | 25' 8" | 23' 9" | 21' 4" | 14' 6" | 13' 6" | 12' 1" | 20' 11" | 19' 4" | 17' 4" | | | | | | | |

Allowable Ceiling Spans (ft) - L/360

| MEMBER | F _y (ksi) | 4 psf LATERAL SPPORT OF COMPRESSION FLANGE | | | | | | 6 psf LATERAL SPPORT OF COMPRESSION FLANGE | | | | | | 13 psf* LATERAL SPPORT OF COMPRESSION FLANGE | | | | | | | | | | | | |
|-----------------|----------------------|--|---------|---------|---------|---------|---------|--|---------|---------|--------------------------|---------|--------|--|---------|--------|---------|---------|---------|--------------------------|--|--|--|--|--|--|
| | | UNSUPPORTED | | | MIDSPAN | | | UNSUPPORTED | | | MIDSPAN | | | UNSUPPORTED | | | MIDSPAN | | | | | | | | | |
| | | JOIST SPACING (in.) o.c. | | | | | | | | | JOIST SPACING (in.) o.c. | | | | | | | | | JOIST SPACING (in.) o.c. | | | | | | |
| 12 | 16 | 24 | 12 | 16 | 24 | 12 | 16 | 24 | 12 | 16 | 24 | 12 | 16 | 24 | 12 | 16 | 24 | 12 | 16 | 24 | | | | | | |
| 250S137-33 | 33 | 11' 9" | 10' 10" | 9' 9" | 13' 0" | 11' 10" | 10' 4" | 10' 6" | 9' 9" | 8' 8" | 11' 4" | 10' 4" | 9' 0" | 8' 6" | 7' 10" | 6' 11" | 8' 9" | 8' 0" | 6' 11" | | | | | | | |
| 250S137-43 | 33 | 13' 2" | 12' 1" | 10' 9" | 14' 2" | 12' 10" | 11' 3" | 11' 8" | 10' 9" | 9' 7" | 12' 4" | 11' 3" | 9' 9" | 9' 4" | 8' 7" | 7' 7" | 9' 6" | 8' 8" | 7' 7" | | | | | | | |
| 250S137-43 (50) | 50 | 13' 2" | 12' 1" | 10' 9" | 14' 2" | 12' 10" | 11' 3" | 11' 8" | 10' 9" | 9' 7" | 12' 4" | 11' 3" | 9' 9" | 9' 4" | 8' 7" | 7' 7" | 9' 6" | 8' 8" | 7' 7" | | | | | | | |
| 250S162-33 | 33 | 13' 5" | 12' 5" | 10' 10" | 13' 8" | 12' 5" | 10' 10" | 11' 11" | 10' 10" | 9' 6" | 11' 11" | 10' 10" | 9' 6" | 9' 3" | 8' 4" | 7' 4" | 9' 3" | 8' 4" | 7' 4" | | | | | | | |
| 250S162-43 | 33 | 14' 10" | 13' 6" | 11' 9" | 14' 10" | 13' 6" | 11' 9" | 13' 0" | 11' 9" | 10' 3" | 13' 0" | 11' 9" | 10' 3" | 10' 0" | 9' 1" | 7' 11" | 10' 0" | 9' 1" | 7' 11" | | | | | | | |
| 250S162-43 (50) | 50 | 14' 10" | 13' 6" | 11' 9" | 14' 10" | 13' 6" | 11' 9" | 13' 0" | 11' 9" | 10' 3" | 13' 0" | 11' 9" | 10' 3" | 10' 0" | 9' 1" | 7' 11" | 10' 0" | 9' 1" | 7' 11" | | | | | | | |
| 362S137-33 | 33 | 12' 11" | 11' 11" | 10' 8" | 17' 4" | 15' 9" | 13' 9" | 11' 7" | 10' 8" | 9' 7" | 15' 2" | 13' 9" | 12' 0" | 9' 5" | 8' 9" | 7' 10" | 11' 8" | 10' 7" | 9' 3" | | | | | | | |
| 362S137-43 | 33 | 14' 4" | 13' 2" | 11' 9" | 18' 10" | 17' 1" | 14' 11" | 12' 9" | 11' 9" | 10' 6" | 16' 6" | 14' 11" | 13' 1" | 10' 3" | 9' 6" | 8' 6" | 12' 9" | 11' 6" | 10' 1" | | | | | | | |
| 362S137-43 (50) | 50 | 14' 4" | 13' 2" | 11' 9" | 18' 10" | 17' 1" | 14' 11" | 12' 9" | 11' 9" | 10' 6" | 16' 6" | 14' 11" | 13' 1" | 10' 3" | 9' 6" | 8' 6" | 12' 9" | 11' 6" | 10' 1" | | | | | | | |
| 362S162-33 | 33 | 14' 8" | 13' 7" | 12' 2" | 18' 2" | 16' 6" | 14' 5" | 13' 2" | 12' 2" | 11' 0" | 15' 10" | 14' 5" | 12' 7" | 10' 9" | 9' 11" | 8' 11" | 12' 3" | 11' 1" | 9' 9" | | | | | | | |
| 362S162-43 | 33 | 16' 2" | 14' 11" | 13' 4" | 19' 9" | 17' 11" | 15' 8" | 14' 5" | 13' 4" | 11' 11" | 17' 3" | 15' 8" | 13' 8" | 11' 8" | 10' 9" | 9' 8" | 13' 4" | 12' 1" | 10' 7" | | | | | | | |
| 362S162-43 (50) | 50 | 16' 2" | 14' 11" | 13' 4" | 19' 9" | 17' 11" | 15' 8" | 14' 5" | 13' 4" | 11' 11" | 17' 3" | 15' 8" | 13' 8" | 11' 8" | 10' 9" | 9' 8" | 13' 4" | 12' 1" | 10' 7" | | | | | | | |
| 400S137-33 | 33 | 13' 3" | 12' 3" | 11' 0" | 18' 9" | 17' 0" | 14' 10" | 11' 11" | 11' 0" | 9' 10" | 16' 4" | 14' 10" | 13' 0" | 9' 8" | 9' 0" | 8' 1" | 12' 7" | 11' 6" | 10' 0" | | | | | | | |
| 400S137-43 | 33 | 14' 8" | 13' 6" | 12' 0" | 20' 4" | 18' 6" | 16' 2" | 13' 0" | 12' 0" | 10' 9" | 17' 9" | 16' 2" | 14' 1" | 10' 6" | 9' 9" | 8' 8" | 13' 9" | 12' 6" | 10' 11" | | | | | | | |
| 400S137-43 (50) | 50 | 14' 8" | 13' 6" | 12' 0" | 20' 4" | 18' 6" | 16' 2" | 13' 0" | 12' 0" | 10' 9" | 17' 9" | 16' 2" | 14' 1" | 10' 6" | 9' 9" | 8' 8" | 13' 9" | 12' 6" | 10' 11" | | | | | | | |
| 400S162-33 | 33 | 15' 1" | 14' 0" | 12' 6" | 19' 7" | 17' 9" | 15' 6" | 13' 6" | 12' 6" | 11' 3" | 17' 1" | 15' 6" | 13' 7" | 11' 0" | 10' 3" | 9' 3" | 13' 3" | 12' 0" | 10' 6" | | | | | | | |
| 400S162-43 | 33 | 16' 7" | 15' 3" | 13' 8" | 21' 4" | 19' 4" | 16' 11" | 14' 9" | 13' 8" | 12' 3" | 18' 7" | 16' 11" | 14' 9" | 12' 0" | 11' 1" | 9' 11" | 14' 5" | 13' 1" | 11' 5" | | | | | | | |
| 400S162-43 (50) | 50 | 16' 7" | 15' 3" | 13' 8" | 21' 4" | 19' 4" | 16' 11" | 14' 9" | 13' 8" | 12' 3" | 18' 7" | 16' 11" | 14' 9" | 12' 0" | 11' 1" | 9' 11" | 14' 5" | 13' 1" | 11' 5" | | | | | | | |
| 600S137-33 | 33 | 14' 10" | 13' 9" | 12' 4" | 21' 4" | 19' 10" | 17' 10" | 13' 4" | 12' 4" | 11' 1" | 19' 3" | 17' 10" | 16' 0" | 10' 10" | 10' 1" | 9' 1" | 15' 8" | 14' 6" | 12' 10" | | | | | | | |
| 600S137-43 | 33 | 16' 2" | 15' 0" | 13' 5" | 23' 0" | 21' 4" | 19' 2" | 14' 6" | 13' 5" | 12' 0" | 20' 8" | 19' 2" | 17' 3" | 11' 9" | 10' 10" | 9' 9" | 16' 11" | 15' 8" | 14' 1" | | | | | | | |
| 600S137-43 (50) | 50 | 16' 2" | 15' 0" | 13' 5" | 23' 0" | 21' 4" | 19' 2" | 14' 6" | 13' 5" | 12' 0" | 20' 8" | 19' 2" | 17' 3" | 11' 9" | 10' 10" | 9' 9" | 16' 11" | 15' 8" | 14' 1" | | | | | | | |
| 600S162-33 | 33 | 16' 10" | 15' 8" | 14' 1" | 24' 4" | 22' 7" | 20' 4" | 15' 2" | 14' 1" | 12' 8" | 21' 11" | 20' 4" | 18' 4" | 12' 5" | 11' 6" | 10' 4" | 18' 0" | 16' 6" | 14' 4" | | | | | | | |
| 600S162-43 | 33 | 18' 4" | 17' 0" | 15' 3" | 26' 3" | 24' 4" | 21' 10" | 16' 5" | 15' 3" | 13' 8" | 23' 7" | 21' 10" | 19' 8" | 13' 4" | 12' 5" | 11' 2" | 19' 3" | 17' 11" | 15' 8" | | | | | | | |
| 600S162-43 (50) | 50 | 18' 4" | 17' 0" | 15' 3" | 26' 3" | 24' 4" | 21' 10" | 16' 5" | 15' 3" | | | | | | | | | | | | | | | | | |

SECTION PROPERTIES AND CEILING SPANS (U-SECTIONS)

ALLOWABLE CEILING SPAN (U-SECTIONS) NOTES

1. Multiple span indicates two or more equal spans continuous over interior supports.
2. Compression flanges assumed unbraced.
3. Web crippling based on 3/4" bearing at end and interior supports.
4. When applicable, cold work of forming was considered as per Section A3.3.2 of AISI S100-16/S2-20.

Allowable Ceiling Spans (U-Sections) - L/240

| MEMBER | F _y (ksi) | SPAN TYPE | 4 psf CHANNEL SPACING (in.) o.c. | | | | | 6 psf CHANNEL SPACING (in.) o.c. | | | | | 13 psf CHANNEL SPACING (in.) o.c. | | | | | 15 psf CHANNEL SPACING (in.) o.c. | | | | |
|------------|-------------------------|-----------|-------------------------------------|--------|--------|--------|--------|-------------------------------------|--------|--------|--------|--------|--------------------------------------|-------|--------|--------|--------|--------------------------------------|--------|--------|--------|-------|
| | | | 24 | 36 | 48 | 60 | 72 | 24 | 36 | 48 | 60 | 72 | 24 | 36 | 48 | 60 | 72 | 24 | 36 | 48 | 60 | 72 |
| | | | 75U050-54 | 33 | Single | 3' 10" | 3' 4" | 3' 1" | 2' 10" | 2' 8" | 3' 4" | 2' 11" | 2' 8" | 2' 6" | 2' 4" | 2' 7" | 2' 3" | 2' 1" | 1' 11" | 1' 9" | 2' 6" | 2' 2" |
| | 33 | Multiple | 4' 9" | 4' 2" | 3' 9" | 3' 6" | 3' 4" | 4' 2" | 3' 8" | 3' 4" | 3' 1" | 2' 10" | 3' 3" | 2' 9" | 2' 4" | 2' 1" | 1' 11" | 3' 1" | 2' 7" | 2' 3" | 2' 0" | 1' 9" |
| 150U050-54 | 33 | Single | 5' 6" | 4' 10" | 4' 5" | 4' 1" | 3' 10" | 4' 10" | 4' 3" | 3' 10" | 3' 7" | 3' 4" | 3' 9" | 3' 3" | 3' 0" | 2' 9" | 2' 7" | 3' 7" | 3' 2" | 2' 10" | 2' 8" | 2' 6" |
| | 33 | Multiple | 7' 1" | 6' 2" | 5' 7" | 5' 3" | 4' 11" | 6' 2" | 5' 5" | 4' 11" | 4' 7" | 4' 4" | 4' 9" | 4' 2" | 3' 10" | 3' 6" | 3' 2" | 4' 7" | 4' 0" | 3' 7" | 3' 3" | 3' 0" |
| 200U050-54 | 33 | Single | 5' 10" | 5' 1" | 4' 8" | 4' 4" | 4' 1" | 5' 1" | 4' 5" | 4' 1" | 3' 9" | 3' 7" | 3' 11" | 3' 6" | 3' 2" | 2' 11" | 2' 9" | 3' 9" | 3' 4" | 3' 0" | 2' 10" | 2' 8" |
| | 33 | Multiple | 7' 5" | 6' 6" | 5' 11" | 5' 6" | 5' 2" | 6' 6" | 5' 8" | 5' 2" | 4' 10" | 4' 6" | 5' 0" | 4' 5" | 4' 0" | 3' 9" | 3' 6" | 4' 10" | 4' 3" | 3' 10" | 3' 7" | 3' 4" |
| 250U050-54 | 33 | Single | 6' 1" | 5' 3" | 4' 10" | 4' 6" | 4' 3" | 5' 3" | 4' 8" | 4' 3" | 3' 11" | 3' 9" | 4' 1" | 3' 7" | 3' 4" | 3' 1" | 2' 11" | 3' 11" | 3' 6" | 3' 2" | 2' 11" | 2' 9" |
| | 33 | Multiple | 7' 9" | 6' 9" | 6' 2" | 5' 9" | 5' 5" | 6' 9" | 5' 11" | 5' 5" | 5' 0" | 4' 9" | 5' 3" | 4' 7" | 4' 2" | 3' 11" | 3' 8" | 5' 0" | 4' 5" | 4' 0" | 3' 9" | 3' 6" |

Allowable Ceiling Spans (U-Sections) - L/360

| MEMBER | F _y (ksi) | SPAN TYPE | 4 psf CHANNEL SPACING (in.) o.c. | | | | | 6 psf CHANNEL SPACING (in.) o.c. | | | | | 13 psf CHANNEL SPACING (in.) o.c. | | | | | 15 psf CHANNEL SPACING (in.) o.c. | | | | |
|------------|-------------------------|-----------|-------------------------------------|--------|--------|-------|--------|-------------------------------------|--------|--------|--------|-------|--------------------------------------|-------|--------|--------|--------|--------------------------------------|-------|--------|--------|--------|
| | | | 24 | 36 | 48 | 60 | 72 | 24 | 36 | 48 | 60 | 72 | 24 | 36 | 48 | 60 | 72 | 24 | 36 | 48 | 60 | 72 |
| | | | 75U050-54 | 33 | Single | 3' 4" | 2' 11" | 2' 8" | 2' 6" | 2' 4" | 2' 11" | 2' 7" | 2' 4" | 2' 2" | 2' 0" | 2' 3" | 2' 0" | 1' 9" | 1' 8" | 1' 7" | 2' 2" | 1' 10" |
| | 33 | Multiple | 4' 2" | 3' 8" | 3' 4" | 3' 1" | 2' 10" | 3' 8" | 3' 2" | 2' 10" | 2' 8" | 2' 6" | 2' 10" | 2' 5" | 2' 3" | 2' 1" | 1' 11" | 2' 8" | 2' 4" | 2' 1" | 1' 11" | 1' 9" |
| 150U050-54 | 33 | Single | 5' 6" | 4' 10" | 4' 5" | 4' 1" | 3' 10" | 4' 10" | 4' 3" | 3' 10" | 3' 7" | 3' 4" | 3' 9" | 3' 3" | 3' 0" | 2' 9" | 2' 7" | 3' 7" | 3' 2" | 2' 10" | 2' 8" | 2' 6" |
| | 33 | Multiple | 7' 1" | 6' 2" | 5' 7" | 5' 3" | 4' 11" | 6' 2" | 5' 5" | 4' 11" | 4' 7" | 4' 4" | 4' 9" | 4' 2" | 3' 10" | 3' 6" | 3' 2" | 4' 7" | 4' 0" | 3' 7" | 3' 3" | 3' 0" |
| 200U050-54 | 33 | Single | 5' 10" | 5' 1" | 4' 8" | 4' 4" | 4' 1" | 5' 1" | 4' 5" | 4' 1" | 3' 9" | 3' 7" | 3' 11" | 3' 6" | 3' 2" | 2' 11" | 2' 9" | 3' 9" | 3' 4" | 3' 0" | 2' 10" | 2' 8" |
| | 33 | Multiple | 7' 5" | 6' 6" | 5' 11" | 5' 6" | 5' 2" | 6' 6" | 5' 8" | 5' 2" | 4' 10" | 4' 6" | 5' 0" | 4' 5" | 4' 0" | 3' 9" | 3' 6" | 4' 10" | 4' 3" | 3' 10" | 3' 7" | 3' 4" |
| 250U050-54 | 33 | Single | 6' 1" | 5' 3" | 4' 10" | 4' 6" | 4' 3" | 5' 3" | 4' 8" | 4' 3" | 3' 11" | 3' 9" | 4' 1" | 3' 7" | 3' 4" | 3' 1" | 2' 11" | 3' 11" | 3' 6" | 3' 2" | 2' 11" | 2' 9" |
| | 33 | Multiple | 7' 9" | 6' 9" | 6' 2" | 5' 9" | 5' 5" | 6' 9" | 5' 11" | 5' 5" | 5' 0" | 4' 9" | 5' 3" | 4' 7" | 4' 2" | 3' 11" | 3' 8" | 5' 0" | 4' 5" | 4' 0" | 3' 9" | 3' 6" |

U-Channel Section Properties

| MEMBER | F _y (ksi) | DESIGN THICKNESS (in.) | AREA (in. ²) | WEIGHT (lb/ft) | GROSS PROPERTIES | | | | EFFECTIVE PROPERTIES | | | |
|------------|-------------------------|---------------------------|-----------------------------|-------------------|---------------------------------------|-------------------------|---------------------------------------|-------------------------|--|--|---------------------------|------------------------|
| | | | | | I _x (in. ⁴) | r _x (in.) | I _y (in. ⁴) | r _y (in.) | I _{xd} (in. ⁴) | S _{xe} (in. ³) | M _a (in.-k) | V _a (lb) |
| 75U050-54 | 33 | 0.0566 | 0.0867 | 0.295 | 0.00720 | 0.288 | 0.00210 | 0.156 | 0.00720 | 0.0192 | 0.454 | 315 |
| 150U050-54 | 33 | 0.0566 | 0.129 | 0.439 | 0.0387 | 0.548 | 0.00271 | 0.145 | 0.0387 | 0.0516 | 1.22 | 840 |
| 200U050-54 | 33 | 0.0566 | 0.158 | 0.536 | 0.0792 | 0.709 | 0.00294 | 0.137 | 0.0792 | 0.0792 | 1.88 | 1190 |
| 250U050-54 | 33 | 0.0566 | 0.186 | 0.632 | 0.139 | 0.866 | 0.00310 | 0.129 | 0.139 | 0.112 | 2.64 | 1540 |

Note: Inside bend radius taken as 3/32".



100% American-Owned and Operated | marinoware.com

New Jersey Facility
400 Metuchen Road
South Plainfield, NJ 07080
800.627.4661
908.757.9000
Fax: 908.412.1442

Georgia Facility
777 Greenbelt Parkway
Griffin, GA 30223
800.504.8199
678.688.1312
Fax: 678.688.1379

Indiana Facility
4245 Railroad Avenue
East Chicago, IN 46312
866.636.6002
219.378.7100
Fax: 219.378.7106

New York Sales Office
51 John St., Ste 1
Babylon, NY 11702
800.627.4667
631.691.2200
Fax: 631.691.1492

Engineering Office
100 Hendrick Drive, Ste 200
McDonough, GA 30253
866.545.1545
678.688.7780
Fax: 770.507.2605

www.marinoware.com

For more information, please contact MarinoWARE® Technical Services at 866.545.1545
This technical information reflects the most current information available and supersedes any
and all previous publications effective February 17, 2023 | MW-Cold Formed Catalog | © WARE Industries Inc., 2023