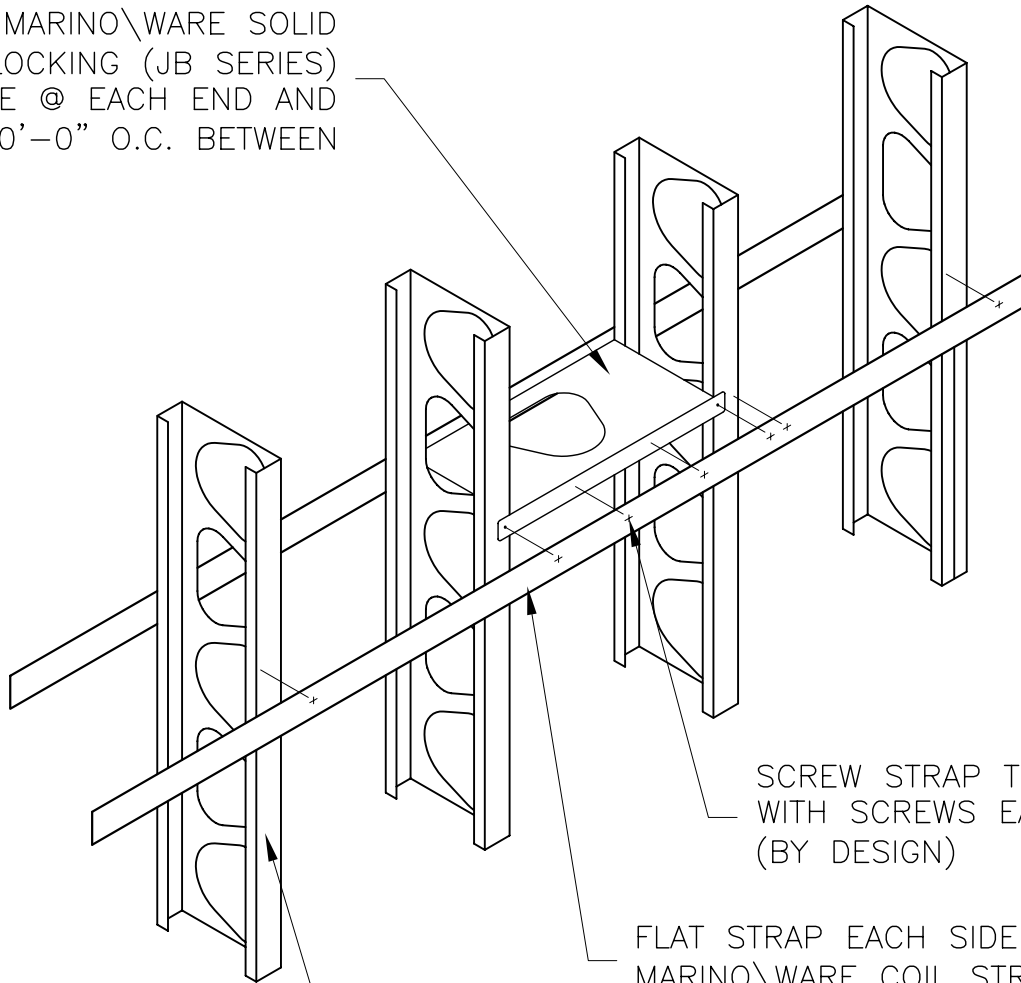


MARINO\WARE SOLID
BLOCKING (JB SERIES)
LOCATE @ EACH END AND
10'-0" O.C. BETWEEN



SCREW STRAP TO BLOCKING
WITH SCREWS EACH SIDE
(BY DESIGN)

FLAT STRAP EACH SIDE.
MARINO\WARE COIL STRAP (CS SERIES)

StudRite
WALL STUDS

NOTE:
SOLID BLOCKING FOR STUDS
GREATER THAN 8".

Marino\WARE

STRAPPING LATERAL BRACING

2. StudRite CURTAINWALL DETAIL