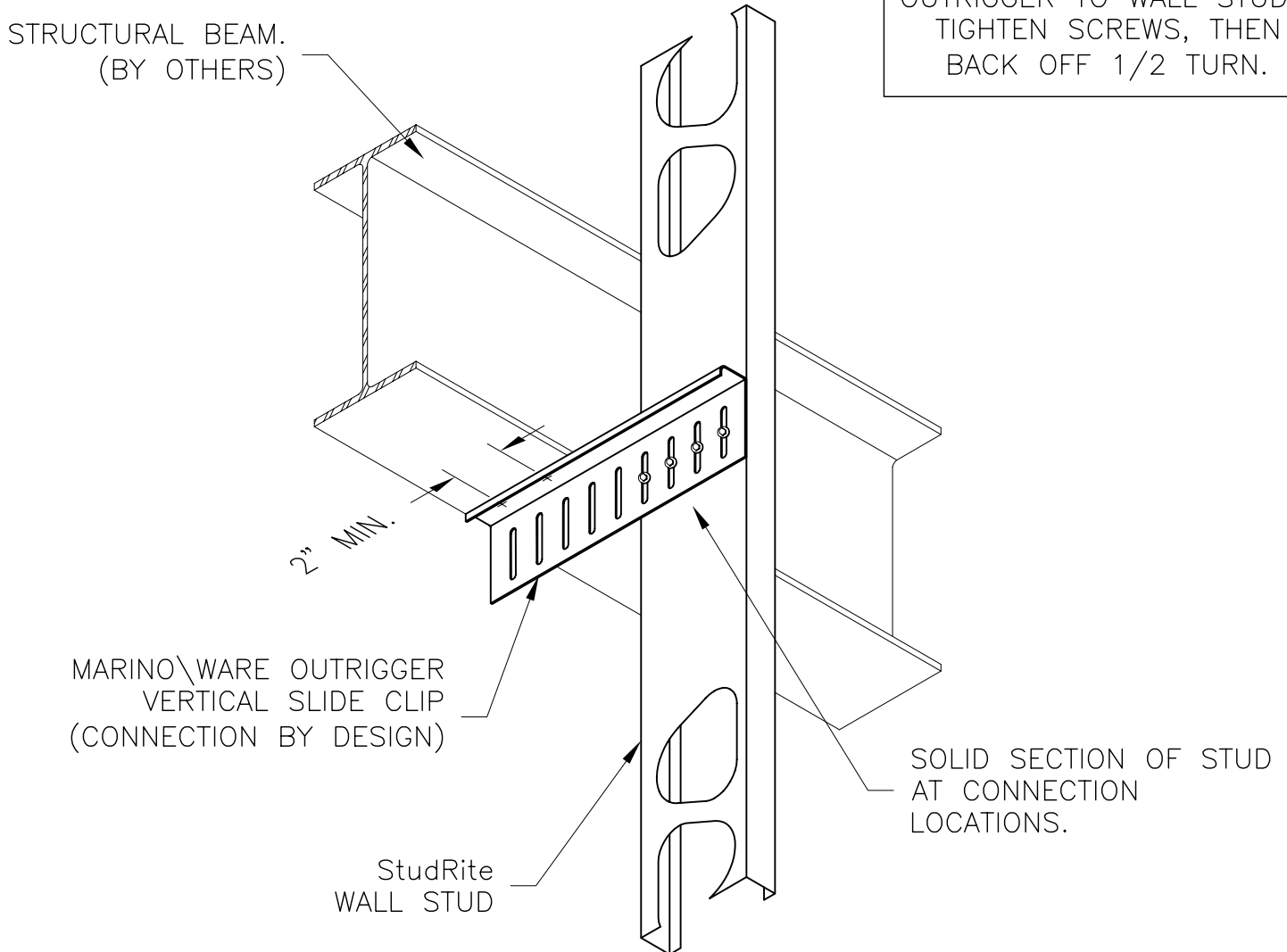


ENGINEER OF RECORD:
PLEASE VERIFY TORSIONAL
STABILITY OF BEAM.

FOR ATTACHMENT OF
OUTRIGGER TO WALL STUDS:
TIGHTEN SCREWS, THEN
BACK OFF 1/2 TURN.



MODEL NO.	GAUGE (MIL) YIELD	BOX QUANTITY
OUTRIGGER	16 (54) 50ksi	25

Marino\WARE

OUTRIGGER VERTICAL SLIDE CONNECTION

9. StudRite CURTAINWALL DETAIL