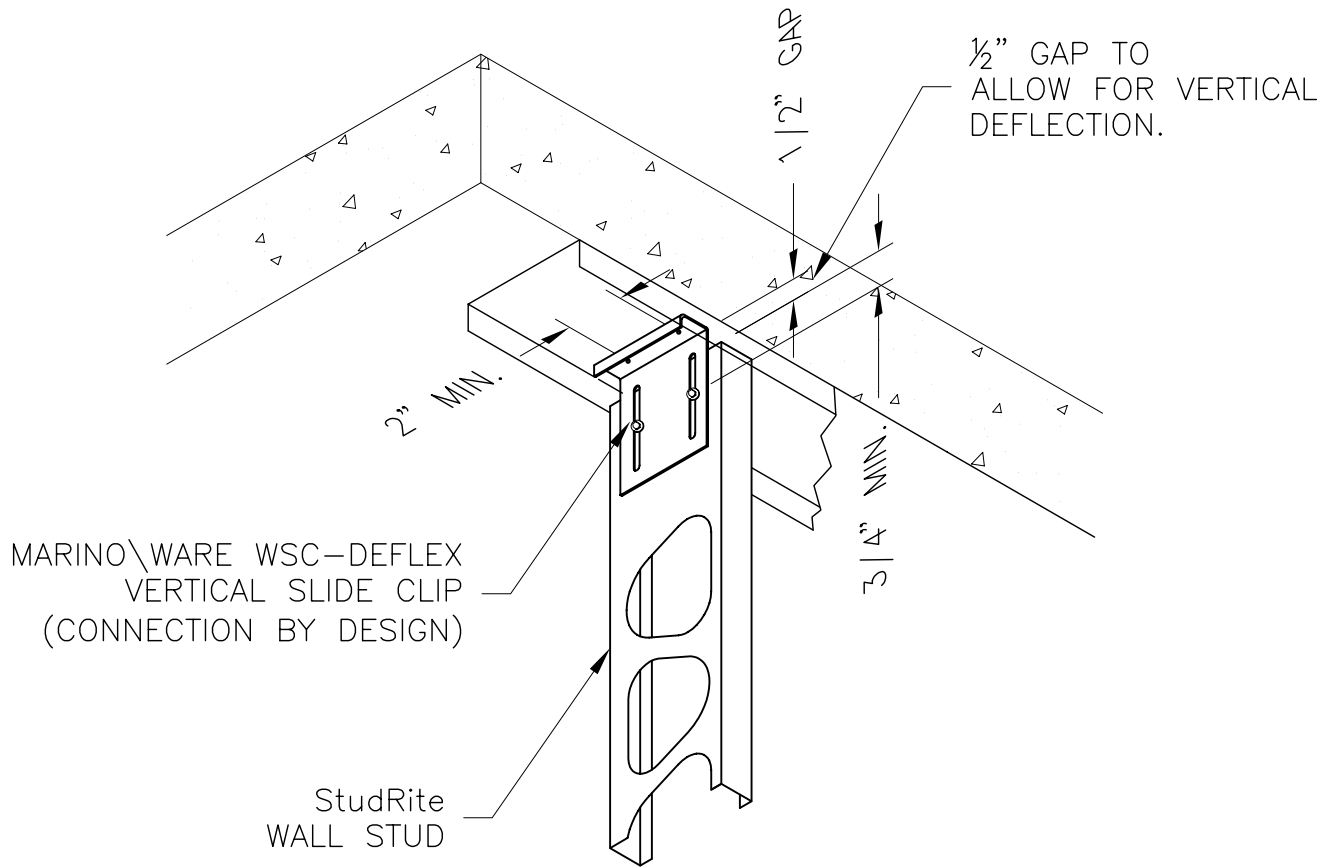


FOR ATTACHMENT OF
DEFLEX CLIPS TO WALL
STUDS: TIGHTEN SCREWS,
THEN BACK OFF 1/2 TURN.



MODEL NO.	GAUGE (MIL) YIELD	BOX QUANTITY	CAPACITY (LBS)
3T1000	16 (54) 50ksi	25	1000
6T1000	16 (54) 33ksi	25	1000

Marino\WARE

DEFLEX VERTICAL SLIDE CONNECTION

10. StudRite CURTAINWALL DETAIL