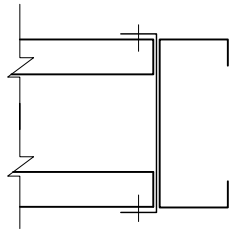
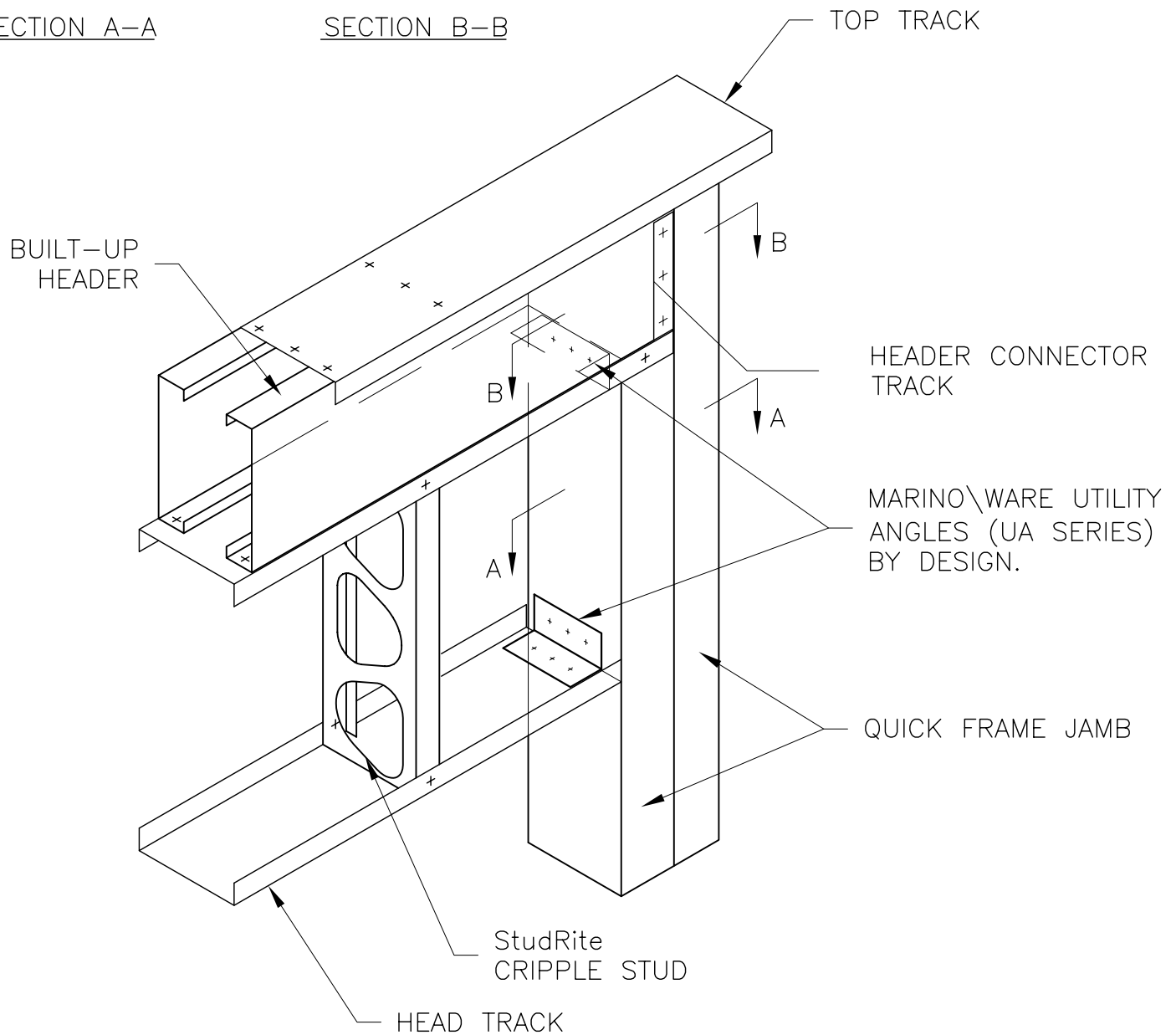


SECTION A-A



SECTION B-B



Marino\WARE

LOAD BEARING HEADER CONNECTION

12. StudRite CURTAINWALL DETAIL