

PRODUCT CATALOG



 **StudRite**®

MARINO WARE®

YOUR SUCCESS DEPENDS ON QUALITY BUILDING PRODUCTS AND SO DOES OURS.

Marino\WARE® brings solutions to market for the steel framing industry. The StudRite® cold-formed steel framing system has one of the best strength-to-mass ratios of any stud in the industry. Designed for structural and non-structural application, the lip reinforced continuous triangular shaped knockouts provide increased structural performance and greater efficiency for mechanical, electrical and plumbing trades. As an added benefit, StudRite has been tested in multiple types of wall assemblies and achieved excellent acoustic ratings and reduced thermal transfer, and is fire-rated.

Marino\WARE is committed to providing a superior customer experience through a vast selection of readily available products, a knowledgeable sales team, comprehensive technical support and services, prompt delivery through our fleet of trucks, and an extensive distribution network.

CODE COMPLIANCE



TECHNICAL SERVICES + SUPPORT | *DesignGroup*

Our commitment to quality products extends to best-in-class design support. The Marino\WARE® DesignGroup™ offers a full range of technical support and engineering services, including professionally engineered stamped shop drawings, design and installation assistance on all Marino\WARE manufactured products, and expert advice on structural, nonstructural, fire and acoustic assemblies.

If you have questions or need more information on any of the products listed in this catalog, contact our Technical Services department at technicalservices@marinoware.com, or at 866.545.1545. In most cases Technical Services representatives can provide an immediate response.

Warranty & Limitations

All products presented herein are warranted to the buyer to be free from defects in material and workmanship. The foregoing warranty is non-assignable and in lieu of and excludes all other warranties not expressly set forth herein, whether express or implied by operation of law or otherwise, including but not limited to any implied warranties of merchantability or fitness for a particular purpose. All details and specifications presented herein are intended as a general guide for the use of Marino\WARE® framing systems. These products should not be used without evaluation by a qualified engineer or architect to determine their suitability for a specific use.

Marino\WARE® assumes no responsibility for failure resulting from use of its details or specifications, or for failure resulting from improper application or installation of these products.

Governing Law

All issues arising in connection with your order and all transactions associated with it shall be interpreted according to the laws of the State of New Jersey, and all actions or other proceedings arising out of such issues shall be brought only in Superior Court, State of New Jersey, County of Essex, or United States District Court for the District of New Jersey. No action may be brought more than one year after accrual of the cause of action therefore.

TABLE OF CONTENTS

GENERAL INFORMATION (Pages 4-6)

NON-STRUCTURAL SECTION 1-1/4" flange (Pages 7-11)

Section Properties 7

Acoustic & Fire. 8

Composite Limiting Heights. 9

Non Composite Fully Braced Limiting Heights 10

Non Composite 48" o.c. braced 11

STRUCTURAL SECTION (Pages 11-28)

Section Properties 12

Limiting Wall Heights (Interior Only). 13

Curtainwall Limiting Heights - Single Span 3-5/8" and 4" 14

Curtainwall Limiting Heights - Single Span 6" 15

Curtainwall Limiting Heights - Single Span 8" 16

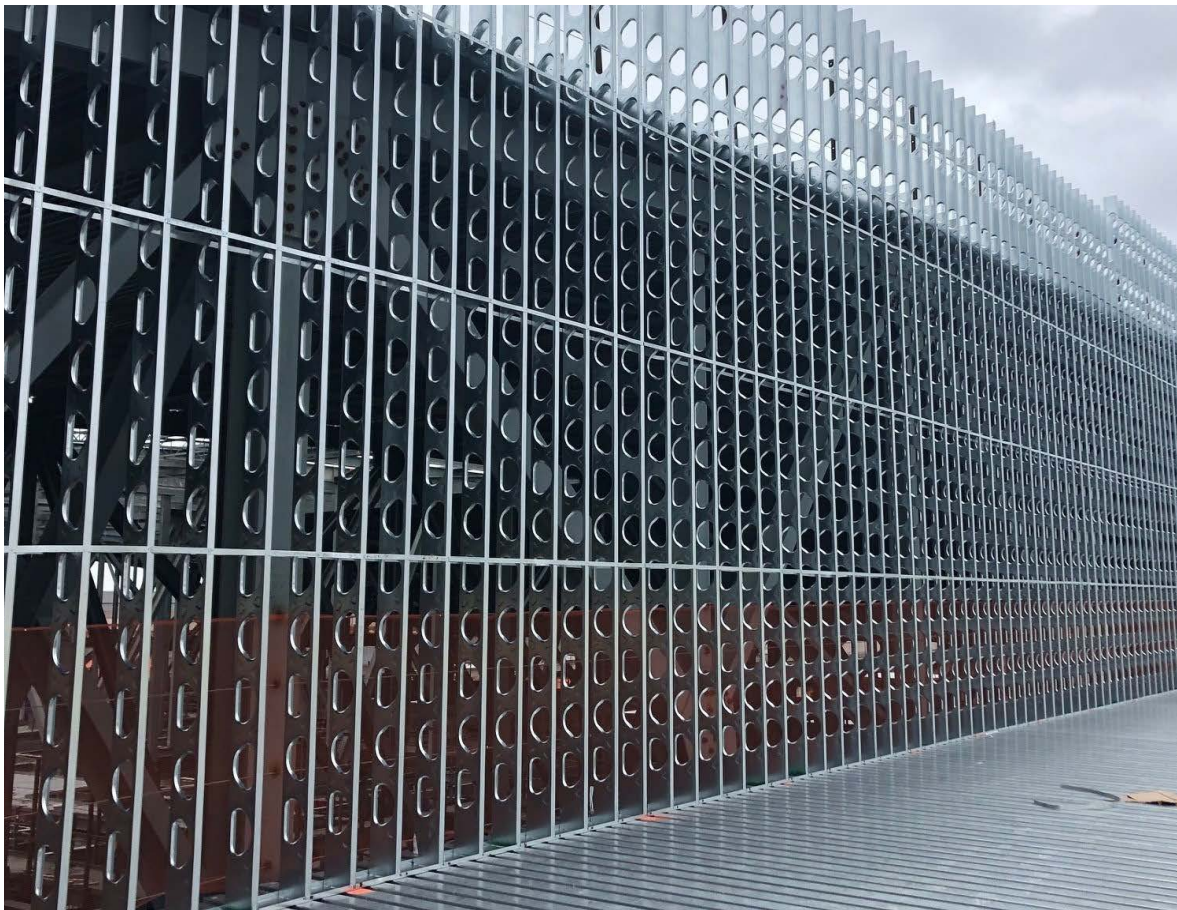
Combined Axial and Lateral Loads 3-5/8" 17-19

Combined Axial and Lateral Loads 4" 20-22

Combined Axial and Lateral Loads 6" 23-25

Combined Axial and Lateral Loads 8" 26-28

SUGGESTED DETAILS . . . (Pages 29-30)



For more information, please contact MarinoWARE® Technical Services at 866-545-1545.
This technical information reflects the most current information available and supersedes any and all previous publications effective May 22, 2023 | MW StudRite Technical Catalog | © WARE Industries, Inc. 2023



SUPERIOR ENGINEERED WALL SECTION

The StudRite® Wall System is a specially designed cold formed steel C-stud that has one of the best strength-to-mass ratios of any stud in the industry. It can be used to frame interior bearing and non-bearing walls, as well as the exterior walls without any limitations. Exterior applications include low rise bearing and high rise non-bearing.

StudRite® is also ideal for companies that build pre-fabricated wall panels. StudRite® significantly reduces the weight of pre-fabricated wall panels due to the large repetitive triangular cutouts. This technology reduces the weight of the stud significantly.

Triangular Cutout Technology

The StudRite® Wall System achieves maximum structural performance due to its lip reinforced repetitive triangular cutouts and embossments. These embossments and cutouts not only increase the structural performance of the wall but also greatly reduce thermal and sound transfer through the wall since a large percentage of the steel has been removed. Additionally, the open web design and the shape of the lip in the cutout make StudRite® easier and safer to handle.

HOLE SIZES:

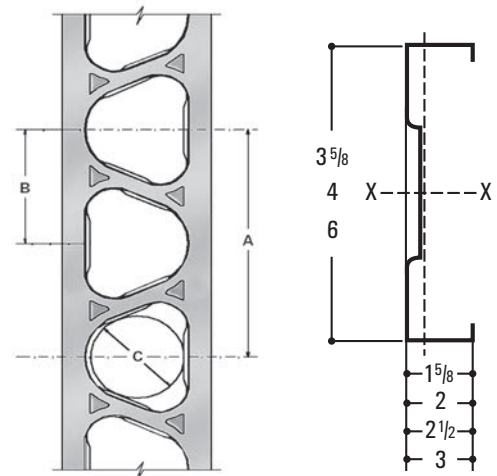
Section Depth in.	A	B	C
	Pitch in.	1/2 Pitch in.	Max Diameter in.
3-5/8	7.0	3.5	1-3/4
4	7.0	3.5	1-3/4
6	8.1	4.0	2-7/8
8*	14.0	7.0	5-1/2

* check with factory for confirmation of hole size used.

One of the greatest attributes of the large triangular cutouts is the increased efficiencies for trade installation. Now for the first time, electricians, plumbers and HVAC installers can run their products right through the knockouts without cutting a single stud member. This technology has never been available before. Ordinarily a lot of time is wasted in cutting and reinforcing holes that have to be drilled or cut into steel wall studs. This new technology saves construction professionals valuable time and reduces labor costs. StudRite® is an ideal framing product for assisted living facilities, medical complexes, hospitals, single and multiple family homes and apartment buildings.

Design Flexibility

Architects, engineers and builders have the option to use stick or panel construction, or a combination of both. With StudRite® almost any structural design is possible. StudRite® is supplied in a complete range of sizes to meet engineering specifications for exterior wind-bearing walls or interior/exterior load-bearing walls and roof trusses. It is strong enough to support up to seven stories as a self-supporting load-bearing structure and can be utilized in much higher structures when used as an infill application. StudRite® can be supplied in precision lengths from the factory, saving time on the jobsite. The factory can even add solid sections anywhere along the length of the stud if desired.



1. The information contained in this catalog is intended as a general guide only and all designs shall be verified by a design professional having experience with cold-formed steel design.
2. The data in this catalog is based on allowable strength design (ASD) of the 2016 Edition of the North American Specification for the Design of Cold-Formed Steel Structural Members, AISI S100-16 (S100) as referenced by the 2018 and 2021 International Building Code (IBC).
3. A rational engineering analysis was used with confirmatory tests in accordance with Section A.1.2(b) of S100. All confirmatory tests were carried out at the STaR Structural Testing Laboratory in Cambridge, Ontario, Canada.
4. The effective moment of inertia for deflection is calculated at a stress of $0.6 F_y$.
5. Various sections may be manufactured with yield stresses of 33, 40 or 50 ksi. The yield stress used for calculations is indicated in the tables.
6. For sections available in both 33, 40 and 50 ksi, the specifier must clearly indicate which yield stress is required. For example: 362SR162-54 (50 ksi).
7. Review IAMPO ES ER-781 for additional product information and usage.
8. Review fire rated assemblies for additional requirements for installation.



THERMAL

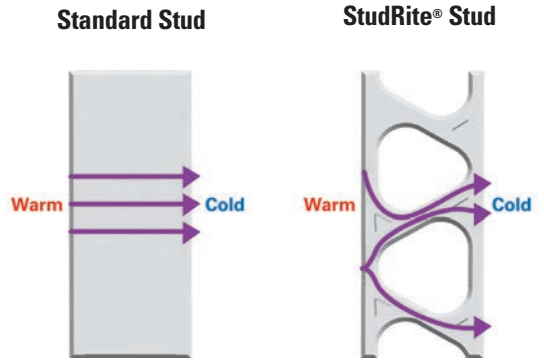
The open web design of StudRite® sections reduces conductivity, thereby enhancing thermal efficiency. We compared 6" 16 gauge StudRite® to 6" conventional stud and StudRite® has 15% less heat flow.

FIRE

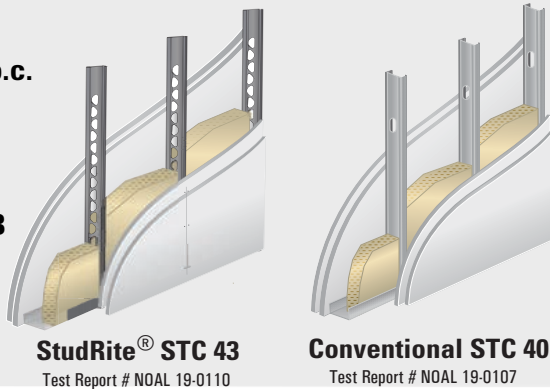
Extensive fire tests have been performed at UL laboratories with the StudRite® Wall system classified in 1, 2, 3 & 4 hour non-load bearing assemblies. Additionally, StudRite® is listed in UL V457 for 1, 2 & 3 hour bearing wall, and exterior wall assemblies. See page 8 for the full list of non-load bearing assemblies.

ACOUSTIC

StudRite® has been tested to ASTM E90 in multiple types of wall assemblies, achieving excellent acoustic ratings. Listing of results is located on page 8. Additional comparison tests of 6" StudRite® 16 gauge versus conventional 16 gauge stud shows that StudRite® has an improved STC rating of 3 points.



- 6 inch stud - 16" o.c.
- 6 inch fiberglass
- 2 layers 5/8" GWB both sides



DURABILITY

StudRite® will not swell, warp, burn, rot, attract or support insect (termite) infestations and mold growth.

Available Grades of Steel and Finish

- 18, 30, 33 & 43 mils: $F_y = 33$ or 40 ksi
Coating G40, G40EQ, G60, G90
- 54, 68, 97 mils: $F_y = 50$ ksi
Coating G60, G90

LENGTHS

Precut stud lengths are stocked, while custom length sizes are available upon request. Shorter lengths may be cut in the field. Contact Technical Services for questions on cutting.



Physical Properties					Net Properties							Net Effective Properties				Torsional Properties					
Member	Lip (in.)	t (in.)	F _y (ksi)	Weight (plf)	Area (in ²)	I _x (in ⁴)	S _x (in ³)	r _x (in.)	I _y (in ⁴)	r _y (in.)	I _{xed} (in ⁴)	S _{xe} (in ³)	M _a (k-in)	V _a (kip)	J x 10 ³ (in ⁴)	C _w (in ⁶)	x _o (in.)	m (in.)	r _o (in.)	β	L _u (in.)
362SR125-18	0.25	0.0190	40	0.36	0.100	0.240	0.132	1.55	0.0187	0.432	0.219	0.104	1.87	0.094	0.0118	0.0584	-0.951	0.532	1.87	0.740	25.6
362SR125-30	0.25	0.0312	40	0.59	0.165	0.392	0.216	1.54	0.0300	0.426	0.383	0.188	3.84	0.219	0.0535	0.0929	-0.938	0.524	1.85	0.744	25.4
362SR125-33	0.25	0.0346	40	0.65	0.182	0.432	0.239	1.54	0.0329	0.425	0.424	0.214	4.43	0.262	0.0727	0.102	-0.934	0.522	1.85	0.745	25.3
362SR125-43	0.25	0.0451	40	0.84	0.235	0.556	0.307	1.54	0.0416	0.420	0.556	0.293	6.38	0.419	0.160	0.128	-0.923	0.515	1.84	0.749	25.2
400SR125-18	0.25	0.0188	40	0.38	0.107	0.302	0.151	1.68	0.0199	0.430	0.277	0.120	2.09	0.094	0.0127	0.0735	-0.904	0.512	1.95	0.786	25.8
400SR125-30	0.25	0.0312	40	0.63	0.176	0.494	0.247	1.67	0.0318	0.425	0.483	0.216	4.30	0.219	0.0573	0.117	-0.891	0.504	1.94	0.790	25.5
400SR125-33	0.25	0.0346	40	0.69	0.195	0.545	0.273	1.67	0.0350	0.423	0.535	0.246	4.98	0.262	0.0779	0.128	-0.887	0.502	1.94	0.791	25.5
400SR125-43	0.25	0.0451	40	0.90	0.252	0.701	0.350	1.67	0.0442	0.419	0.701	0.336	7.20	0.419	0.171	0.161	-0.877	0.496	1.93	0.794	25.3
600SR125-18	0.25	0.0188	40	0.46	0.119	0.776	0.259	2.55	0.0216	0.426	0.718	0.210	2.93	0.094	0.0141	0.180	-0.799	0.459	2.71	0.913	25.1
600SR125-30	0.25	0.0312	40	0.76	0.197	1.27	0.424	2.54	0.0347	0.420	1.25	0.376	6.25	0.219	0.0638	0.287	-0.786	0.451	2.70	0.915	24.9
600SR125-33	0.25	0.0346	40	0.84	0.217	1.41	0.468	2.54	0.0381	0.419	1.38	0.427	7.29	0.262	0.0868	0.315	-0.783	0.449	2.69	0.915	24.8
600SR125-43	0.25	0.0451	40	1.09	0.281	1.81	0.604	2.54	0.0482	0.414	1.81	0.580	10.8	0.419	0.191	0.397	-0.773	0.443	2.68	0.917	24.6

Notes:

- The centerline bend radius is based on the inside bend radius in the steel thickness table.
- Net section properties are taken through any punchout location without consideration of local buckling in edge stiffener or flange.
- Net effective section properties are taken through any punchout location with consideration of local buckling in edge stiffener and flange.
- For deflection calculations, use effective moment of inertia.
- t = design thickness.

StudRite® Identification System

Below is our color coded Identification System as it complies with industry standards.



MILS	DESIGN (IN.)	MINIMUM (IN.)	GAUGE	COLOR CODE
18	0.0188	0.0179	25	NONE
30	0.0312	0.0296	20DW	PINK
33	0.0346	0.0329	20STR	WHITE
43	0.0451	0.0428	18	YELLOW
54	0.0566	0.0538	16	GREEN
68	0.0713	0.0677	14	ORANGE
97	0.1017	0.0966	12	RED
118	0.1242	0.1180	10	BLUE

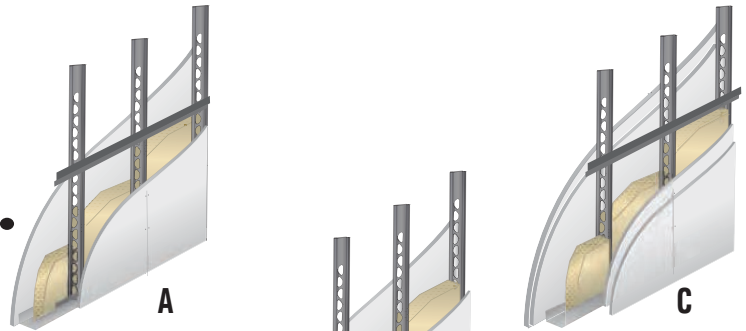
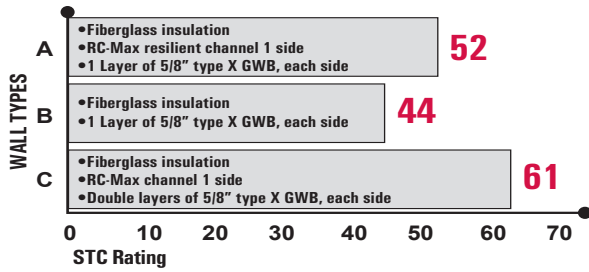
Symbols & Definitions

- F_y Minimum guaranteed yield stress
- I_x Moment of inertia of net section about x-axis
- S_x Section modulus of net section about x-axis
- r_x Radius of gyration of net section about x-axis
- I_y Moment of inertia of net section about y-axis
- r_y Radius of gyration of net section about y-axis
- I_{xed} Effective moment of inertia of net section about x-axis based on a stress of 0.6F_y (deflection determination)
- S_{xe} Effective section modulus of net section about x-axis based on a stress of F_y (strength determination)
- M_a Allowable bending moment
- V_a Allowable shear force
- J Saint-Venant torsion constant of net section
- C_w Torsional warping constant of net section
- r_o Polar radius of gyration of net section about shear
- x_o Distance from centroid the shear center in principle x-axis direction
- m Distance from shear center to mid-plane of web of C-section
- β 1 - (x_o/r_o)²
- L_u Limit of unbraced length below which lateral-torsional buckling is not considered

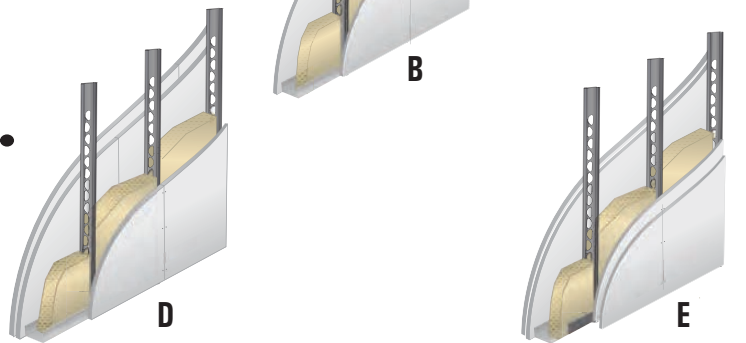
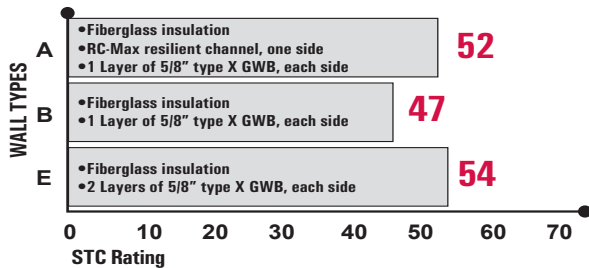
Sound Testing

(Sound Test Reports available from Technical Services)

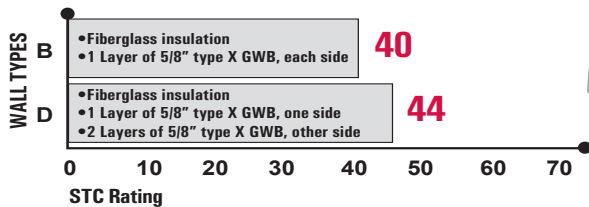
3 5/8" STUDDRITE® (18 mil) 24" O.C.



3 5/8" STUDDRITE® (18 mil) 16" O.C.



3 5/8" STUDDRITE® (30 mil) 16" O.C.



FIRE TESTING DATA (ASTM E119)

STUDDRITE® DESIGN NOS.	WALL RATING	STUDDRITE® DESIGN NOS.	WALL RATING	STUDDRITE® DESIGN NOS.	WALL RATING
U403	2 HR	U475	1, 2, 3 or 4 HR	V443	4 HR
U407	1/2 or 1 HR	U478	3 HR	V444	1 HR
U408	2 HR	U491	2 HR	V448	1 HR
U411	2 HR	U494	1 HR	V449	2 HR
U412	2 HR	U495	1 or 2 HR	V452	1 and 2 HR
U419	1, 2, 3 or 4 HR	U496	1 HR	V469	1 and 2 HR
U421	2 HR	V410	2 HR	V476	1, 3 or 4 HR
U431	4 HR	V412	2 HR	V477	1, 2, 3 or 4 HR
U435	3 HR or 4 HR	V416	1 HR	V496	1 or 2 HR
U450	1, 3 or 4 HR	V417	1 HR	V498	1, 2, 3 or 4 HR
U451	1 HR	V418	2 HR	W411	1/2 or 1 HR
U454	2 HR	V419	2 HR	W415	1 or 2 HR
U463	3 or 4 HR	V425	1 HR	W424	1/2 or 1 HR
U466	1 HR	V435	1 HR	W433	1/2 HR
U465	1 HR	V437	1 HR	W440	1, 2, 3 or 4 HR
U471	1-1/2 HR	V438	1, 2, 3 or 4 HR		

Notes:
 1. 3-5/8", 18 mil is the minimum web and thickness. All heavier and deeper sections qualify.
 2. Gypsum wallboard can be either vertical or horizontal, without joints backed.



MEMBER	GAUGE	Spacing o.c. (in.)	5 psf			7.5 psf			10 psf		
			L/120	L/240	L/360	L/120	L/240	L/360	L/120	L/240	L/360
362SR125-18	25	12	21' 6"	17' 9"	15' 6"	17' 6"	15' 6"	13' 7"	15' 2"	14' 1"	12' 4"
		16	18' 7"	16' 2"	14' 1"	15' 2"	14' 1"	12' 4"	13' 2"	12' 10"	11' 1"
		24	15' 2"	14' 1"	12' 4"	12' 4"	12' 4"	10' 7"	10' 9"	10' 9"	9' 5"
362SR125-30	20DW	12	23' 5"	18' 7"	16' 3"	20' 6"	16' 3"	14' 2"	18' 7"	14' 9"	12' 11"
		16	21' 3"	16' 11"	14' 9"	18' 7"	14' 9"	12' 11"	16' 11"	13' 5"	11' 8"
		24	18' 7"	14' 9"	12' 11"	16' 3"	12' 11"	11' 2"	14' 9"	11' 8"	9' 11"
362SR125-33	20STR	12	24' 4"	19' 4"	16' 10"	21' 3"	16' 10"	14' 9"	19' 4"	15' 4"	13' 5"
		16	22' 1"	17' 7"	15' 4"	19' 4"	15' 4"	13' 5"	17' 7"	13' 11"	12' 2"
		24	19' 4"	15' 4"	13' 5"	16' 10"	13' 5"	11' 8"	15' 4"	12' 2"	10' 4"
362SR125-43	18	12	27' 1"	21' 6"	18' 9"	23' 8"	18' 9"	16' 5"	21' 6"	17' 0"	14' 11"
		16	24' 7"	19' 6"	17' 0"	21' 6"	17' 0"	14' 11"	19' 6"	15' 6"	13' 6"
		24	21' 6"	17' 0"	14' 11"	18' 9"	14' 11"	12' 10"	14' 4"	13' 6"	-

MEMBER	GAUGE	Spacing o.c. (in.)	5 psf			7.5 psf			10 psf		
			L/120	L/240	L/360	L/120	L/240	L/360	L/120	L/240	L/360
400SR125-18	25	12	22' 5"	18' 9"	16' 5"	18' 3"	16' 5"	14' 4"	15' 10"	14' 11"	13' 0"
		16	19' 5"	17' 1"	14' 11"	15' 10"	14' 11"	13' 0"	13' 9"	13' 6"	11' 10"
		24	15' 10"	14' 11"	13' 0"	12' 11"	12' 11"	11' 4"	11' 2"	11' 2"	10' 2"
400SR125-30	20DW	12	25' 3"	20' 0"	17' 6"	22' 0"	17' 6"	15' 3"	20' 0"	15' 10"	13' 10"
		16	22' 11"	18' 2"	15' 10"	20' 0"	15' 10"	13' 10"	18' 2"	14' 5"	12' 7"
		24	20' 0"	15' 10"	13' 10"	17' 6"	13' 10"	12' 1"	15' 10"	12' 7"	10' 10"
400SR125-33	20STR	12	26' 3"	20' 10"	18' 2"	22' 11"	18' 2"	15' 11"	20' 10"	16' 6"	14' 5"
		16	23' 10"	18' 11"	16' 6"	20' 10"	16' 6"	14' 5"	18' 11"	15' 0"	13' 1"
		24	20' 10"	16' 6"	14' 5"	18' 2"	14' 5"	12' 7"	16' 6"	13' 1"	11' 5"
400SR125-43	18	12	29' 7"	23' 6"	20' 6"	25' 10"	20' 6"	17' 11"	23' 6"	18' 8"	16' 3"
		16	26' 11"	21' 4"	18' 8"	23' 6"	18' 8"	16' 3"	21' 4"	16' 11"	14' 9"
		24	23' 6"	18' 8"	16' 3"	20' 6"	16' 3"	14' 3"	18' 8"	14' 9"	12' 10"

MEMBER	GAUGE	Spacing o.c. (in.)	5 psf			7.5 psf			10 psf		
			L/120	L/240	L/360	L/120	L/240	L/360	L/120	L/240	L/360
600SR125-18	25	12	27' 9"	24' 9"	21' 8"	22' 8"	21' 8"	18' 11"	19' 7"	19' 7"	17' 2"
		16	24' 0"	22' 6"	19' 8"	19' 7"	19' 7"	17' 2"	17' 0"	17' 0"	15' 7"
		24	19' 7"	19' 7"	17' 2"	16' 0"	16' 0"	14' 11"	13' 10"	13' 10"	13' 5"
600SR125-30	20DW	12	33' 7"	26' 8"	23' 4"	29' 4"	23' 4"	20' 4"	26' 8"	21' 2"	18' 6"
		16	30' 6"	24' 3"	21' 2"	26' 8"	21' 2"	18' 6"	24' 3"	19' 3"	16' 9"
		24	26' 8"	21' 2"	18' 6"	23' 4"	18' 6"	16' 2"	21' 2"	16' 9"	14' 6"
600SR125-33	20STR	12	34' 9"	27' 6"	24' 1"	30' 4"	24' 1"	21' 0"	27' 6"	21' 10"	19' 1"
		16	31' 6"	25' 0"	21' 10"	27' 6"	21' 10"	19' 1"	25' 0"	19' 10"	17' 4"
		24	27' 6"	21' 10"	19' 1"	24' 1"	19' 1"	16' 8"	21' 10"	17' 4"	15' 1"
600SR125-43	18	12	38' 11"	30' 10"	26' 11"	34' 0"	26' 11"	23' 6"	30' 10"	24' 6"	21' 5"
		16	35' 4"	28' 0"	24' 6"	30' 10"	24' 6"	21' 5"	28' 0"	22' 3"	19' 5"
		24	30' 10"	24' 6"	21' 5"	26' 11"	21' 5"	18' 8"	22' 4"	19' 5"	16' 10"

Notes:

1. Composite limiting wall heights are based on testing in accordance with ICC-ES AC86-2019.
2. No screws are required between stud and track, except as required by ASTM C754.
3. Composite heights are based on a single layer of 5/8" type X gypsum board applied vertically to both sides of the wall, over the full height.
4. Composite limiting heights are based on studs cut through the center of the punchout.
5. Composite limiting heights are based on standard top track with gypsum board mechanically attached to the track. For deflection track usage contact Technical Services.
6. See IAMPO ES ER-781 for additional information. Review fire rated assemblies for additional requirements.

MEMBER	GAUGE	L _u (in.)	Spacing (in. o.c.)	5 psf			7.5 psf			10 psf		
				L/120	L/240	L/360	L/120	L/240	L/360	L/120	L/240	L/360
362RS125-18	25	25.6	12	16' 1"	14' 2"	12' 4"	13' 1"	12' 4"	10' 9"	11' 4"	11' 3"	9' 10"
			16	13' 10"	12' 10"	11' 3"	11' 4"	11' 3"	9' 10"	9' 9"	9' 9"	9' 0"
			24	11' 4"	11' 3"	9' 10"	9' 3"	9' 3"	8' 7"	8' 0"	8' 0"	7' 9"
362SR125-30	20DW	25.4	12	21' 7"	17' 1"	15' 0"	18' 9"	15' 0"	13' 1"	16' 3"	13' 7"	11' 10"
			16	19' 7"	15' 7"	13' 7"	16' 3"	13' 7"	11' 10"	14' 1"	12' 3"	10' 9"
			24	16' 3"	13' 7"	11' 10"	13' 3"	11' 10"	10' 4"	11' 6"	10' 9"	9' 4"
362SR125-33	20STR	25.3	12	22' 3"	17' 8"	15' 6"	19' 6"	15' 6"	13' 6"	17' 6"	14' 1"	12' 3"
			16	20' 3"	16' 1"	14' 1"	17' 6"	14' 1"	12' 3"	15' 2"	12' 9"	11' 2"
			24	17' 6"	14' 1"	12' 3"	14' 3"	12' 3"	10' 8"	12' 4"	11' 2"	9' 8"
362SR125-43	18	25.2	12	24' 4"	19' 4"	16' 10"	21' 3"	16' 10"	14' 9"	19' 4"	15' 4"	13' 4"
			16	22' 2"	17' 7"	15' 4"	19' 4"	15' 4"	13' 4"	17' 7"	14' 0"	12' 2"
			24	19' 4"	15' 4"	13' 4"	16' 10"	13' 4"	11' 8"	14' 9"	12' 2"	10' 8"

MEMBER	GAUGE	L _u (in.)	Spacing (in. o.c.)	5 psf			7.5 psf			10 psf		
				L/120	L/240	L/360	L/120	L/240	L/360	L/120	L/240	L/360
400SR125-18	25	25.8	12	16' 10"	15' 4"	13' 4"	13' 9"	13' 4"	11' 8"	11' 10"	11' 10"	10' 8"
			16	14' 7"	14' 0"	12' 2"	11' 10"	11' 10"	10' 8"	10' 3"	10' 3"	9' 8"
			24	11' 10"	11' 10"	10' 8"	9' 9"	9' 9"	9' 3"	8' 4"	8' 4"	8' 4"
400SR125-30	20DW	25.5	12	23' 3"	18' 6"	16' 2"	19' 9"	16' 2"	14' 1"	17' 2"	14' 8"	12' 9"
			16	21' 0"	16' 9"	14' 8"	17' 2"	14' 8"	12' 9"	14' 10"	13' 3"	11' 8"
			24	17' 2"	14' 8"	12' 9"	14' 0"	12' 9"	11' 2"	12' 1"	11' 8"	10' 2"
400SR125-33	20STR	25.5	12	24' 1"	19' 1"	16' 8"	21' 1"	16' 8"	14' 7"	18' 6"	15' 2"	13' 3"
			16	21' 10"	17' 4"	15' 2"	18' 6"	15' 2"	13' 3"	16' 0"	13' 9"	12' 1"
			24	18' 6"	15' 2"	13' 3"	15' 1"	13' 3"	11' 7"	13' 1"	12' 1"	10' 6"
400SR125-43	18	25.3	12	26' 4"	20' 10"	18' 3"	23' 1"	18' 3"	16' 0"	20' 10"	16' 7"	14' 6"
			16	24' 0"	19' 0"	16' 7"	20' 10"	16' 7"	14' 6"	19' 0"	15' 1"	13' 2"
			24	20' 10"	16' 7"	14' 6"	18' 1"	14' 6"	12' 8"	15' 8"	13' 2"	11' 6"

MEMBER	GAUGE	L _u (in.)	Spacing (in. o.c.)	5 psf			7.5 psf			10 psf		
				L/120	L/240	L/360	L/120	L/240	L/360	L/120	L/240	L/360
600SR125-18	25	25.1	12	20' 2"	20' 2"	18' 4"	16' 6"	16' 6"	16' 1"	14' 3"	14' 3"	14' 3"
			16	17' 6"	17' 6"	16' 9"	14' 3"	14' 3"	14' 3"	12' 4"	12' 4"	12' 4"
			24	14' 3"	14' 3"	14' 3"	11' 7"	11' 7"	11' 7"	9' 4"	9' 4"	9' 4"
600SR125-30	20DW	24.9	12	29' 6"	25' 4"	22' 2"	24' 1"	22' 2"	19' 4"	20' 9"	20' 2"	17' 7"
			16	25' 6"	23' 1"	20' 2"	20' 9"	20' 2"	17' 7"	18' 0"	18' 0"	16' 0"
			24	20' 9"	20' 2"	17' 7"	17' 0"	17' 0"	15' 4"	14' 8"	14' 8"	14' 0"
600SR125-33	20STR	24.8	12	31' 9"	26' 3"	22' 10"	26' 0"	22' 10"	20' 0"	22' 6"	20' 9"	18' 2"
			16	27' 7"	23' 10"	20' 9"	22' 6"	20' 9"	18' 2"	19' 6"	18' 10"	16' 6"
			24	22' 6"	20' 9"	18' 2"	18' 4"	18' 2"	15' 10"	15' 10"	15' 10"	14' 4"
600SR125-43	18	24.6	12	36' 2"	28' 8"	25' 1"	31' 7"	25' 1"	21' 10"	27' 4"	22' 9"	19' 10"
			16	32' 10"	26' 1"	22' 9"	27' 4"	22' 9"	19' 10"	23' 8"	20' 8"	18' 1"
			24	27' 4"	22' 9"	19' 10"	22' 4"	19' 10"	17' 4"	19' 4"	18' 1"	15' 9"

Notes:

1. Studs are assumed to be fully braced on both sides by sheathing, or braced at a maximum spacing of L_u or a combination of both.
2. Non-composite limiting heights are based on studs cut through the center of the punchout.
3. Use non-composite fully braced table with 1/2" gypsum board or horizontal gypsum board. Also use for RC and/or furring channel (with or without sound clips) spaced at less than L_u.
4. See IAMPO ES ER-781 for additional information. Review fire rated assemblies for additional requirements.

For more information, please contact MarinoWARE® Technical Services at 866-545-1545.

This technical information reflects the most current information available and supersedes any and all previous publications effective May 22, 2023 | MW StudRite Technical Catalog | © WARE Industries, Inc. 2023

MEMBER	GAUGE	L _u (in.)	Spacing (in. o.c.)	5 psf			7.5 psf			10 psf		
				L/120	L/240	L/360	L/120	L/240	L/360	L/120	L/240	L/360
362SR125-18	25	25.6	12	15' 6"	14' 2"	12' 4"	12' 8"	12' 4"	10' 9"	11' 0"	11' 0"	9' 10"
			16	13' 4"	12' 10"	11' 3"	11' 0"	11' 0"	9' 10"	9' 6"	9' 6"	9' 0"
			24	11' 0"	11' 0"	9' 10"	8' 10"	8' 10"	8' 7"	7' 8"	7' 8"	7' 8"
362SR125-30	20DW	25.4	12	20' 9"	17' 1"	15' 0"	17' 0"	15' 0"	13' 1"	14' 8"	13' 7"	11' 10"
			16	18' 0"	15' 7"	13' 7"	14' 8"	13' 7"	11' 10"	12' 8"	12' 3"	10' 9"
			24	14' 8"	13' 7"	11' 10"	12' 0"	11' 10"	10' 4"	10' 4"	10' 4"	9' 4"
362SR125-33	20STR	25.3	12	22' 2"	17' 8"	15' 6"	18' 1"	15' 6"	13' 6"	15' 8"	14' 1"	12' 3"
			16	19' 2"	16' 1"	14' 1"	15' 8"	14' 1"	12' 3"	13' 7"	12' 9"	11' 2"
			24	15' 8"	14' 1"	12' 3"	12' 9"	12' 3"	10' 8"	11' 1"	11' 1"	9' 8"
362SR125-43	18	25.2	12	24' 4"	19' 4"	16' 10"	21' 2"	16' 10"	14' 9"	18' 4"	15' 4"	13' 4"
			16	22' 2"	17' 7"	15' 4"	18' 4"	15' 4"	13' 4"	15' 10"	14' 0"	12' 2"
			24	18' 4"	15' 4"	13' 4"	15' 0"	13' 4"	11' 8"	13' 0"	12' 2"	10' 8"

MEMBER	GAUGE	L _u (in.)	Spacing (in. o.c.)	5 psf			7.5 psf			10 psf		
				L/120	L/240	L/360	L/120	L/240	L/360	L/120	L/240	L/360
400SR125-18	25	25.8	12	16' 8"	15' 4"	13' 4"	13' 7"	13' 4"	11' 8"	11' 9"	11' 9"	10' 8"
			16	14' 4"	14' 0"	12' 2"	11' 9"	11' 9"	10' 8"	10' 2"	10' 2"	9' 8"
			24	11' 9"	11' 9"	10' 8"	9' 7"	9' 7"	9' 3"	8' 3"	8' 3"	8' 3"
400SR125-30	20DW	25.5	12	22' 3"	18' 6"	16' 2"	18' 2"	16' 2"	14' 1"	15' 9"	14' 8"	12' 9"
			16	19' 3"	16' 9"	14' 8"	15' 9"	14' 8"	12' 9"	13' 8"	13' 3"	11' 8"
			24	15' 9"	14' 8"	12' 9"	12' 10"	12' 9"	11' 2"	11' 2"	11' 2"	10' 2"
400SR125-33	20STR	25.5	12	23' 9"	19' 1"	16' 8"	19' 4"	16' 8"	14' 7"	16' 9"	15' 2"	13' 3"
			16	20' 7"	17' 4"	15' 2"	16' 9"	15' 2"	13' 3"	14' 7"	13' 9"	12' 1"
			24	16' 9"	15' 2"	13' 3"	13' 9"	13' 3"	11' 7"	11' 10"	11' 10"	10' 6"
400SR125-43	18	25.3	12	26' 4"	20' 10"	18' 3"	22' 8"	18' 3"	16' 0"	19' 8"	16' 7"	14' 6"
			16	24' 0"	19' 0"	16' 7"	19' 8"	16' 7"	14' 6"	17' 0"	15' 1"	13' 2"
			24	19' 8"	16' 7"	14' 6"	16' 1"	14' 6"	12' 8"	13' 10"	13' 2"	11' 6"

MEMBER	GAUGE	L _u (in.)	Spacing (in. o.c.)	5 psf			7.5 psf			10 psf		
				L/120	L/240	L/360	L/120	L/240	L/360	L/120	L/240	L/360
600SR125-18	25	25.1	12	20' 2"	20' 2"	18' 4"	16' 6"	16' 6"	16' 1"	14' 3"	14' 3"	14' 3"
			16	17' 6"	17' 6"	16' 9"	14' 3"	14' 3"	14' 3"	12' 4"	12' 4"	12' 4"
			24	14' 3"	14' 3"	14' 3"	11' 7"	11' 7"	11' 7"	9' 4"	9' 4"	9' 4"
600SR125-30	20DW	24.9	12	29' 0"	25' 4"	22' 2"	23' 8"	22' 2"	19' 4"	20' 6"	20' 2"	17' 7"
			16	25' 1"	23' 1"	20' 2"	20' 6"	20' 2"	17' 7"	17' 9"	17' 9"	16' 0"
			24	20' 6"	20' 2"	17' 7"	16' 8"	16' 8"	15' 4"	14' 6"	14' 6"	14' 0"
600SR125-33	20STR	24.8	12	30' 10"	26' 3"	22' 10"	25' 2"	22' 10"	20' 0"	21' 9"	20' 9"	18' 2"
			16	26' 8"	23' 10"	20' 9"	21' 9"	20' 9"	18' 2"	18' 10"	18' 10"	16' 6"
			24	21' 9"	20' 9"	18' 2"	17' 9"	17' 9"	15' 10"	15' 4"	15' 4"	14' 4"
600SR125-43	18	24.6	12	35' 9"	28' 8"	25' 1"	29' 3"	25' 1"	21' 10"	25' 3"	22' 9"	19' 10"
			16	31' 0"	26' 1"	22' 9"	25' 3"	22' 9"	19' 10"	21' 10"	20' 8"	18' 1"
			24	25' 3"	22' 9"	19' 10"	20' 8"	19' 10"	17' 4"	17' 10"	17' 10"	15' 9"

- Notes:
1. Non-composite limiting heights are based on studs cut through the center of the punchout.
 2. Use non-composite braced 48" o.c. table when studs are laterally braced a maximum of 48" o.c..
 3. See IAMPO ES ER-781 for additional information. Review fire rated assemblies for additional requirements.

MEMBER	Physical Properties				Net Properties						Net Effective Properties				Torsional Properties						
	Lip (in.)	t (in.)	F _y (ksi)	Weight (plf)	Area (in ²)	I _x (in ⁴)	S _x (in ³)	r _x (in.)	I _y (in ⁴)	r _y (in.)	I _{xed} (in ⁴)	S _{xe} (in ³)	M _a (k-in)	V _a (kip)	J x 10 ³ (in ⁴)	C _w (in ⁶)	x _o (in.)	m (in.)	r _o (in.)	β	L _u (in.)
362SR162-33	0.50	0.0346	33	0.80	0.225	0.552	0.305	1.56	0.0809	0.599	0.552	0.291	5.76	0.216	0.0900	0.288	-1.45	0.809	2.21	0.573	40.1
362SR162-43	0.50	0.0451	33	1.03	0.292	0.711	0.392	1.56	0.103	0.595	0.711	0.392	7.75	0.346	0.198	0.364	-1.44	0.802	2.20	0.575	40.0
362SR162-54	0.50	0.0566	50	1.28	0.361	0.874	0.482	1.56	0.125	0.588	0.874	0.467	14.0	0.791	0.385	0.443	-1.42	0.795	2.19	0.577	32.3
362SR200-33	0.625	0.0346	33	0.92	0.260	0.649	0.358	1.58	0.146	0.748	0.638	0.319	6.30	0.216	0.104	0.562	-1.89	1.05	2.58	0.460	50.6
362SR200-43	0.625	0.0451	33	1.19	0.337	0.837	0.462	1.58	0.186	0.744	0.837	0.448	8.85	0.346	0.228	0.714	-1.88	1.05	2.57	0.462	50.5
362SR200-54	0.625	0.0566	50	1.47	0.417	1.03	0.569	1.57	0.227	0.738	1.03	0.515	15.4	0.791	0.446	0.871	-1.87	1.04	2.55	0.463	40.8
362SR250-33	0.625	0.0346	33	1.03	0.295	0.761	0.420	1.61	0.250	0.922	0.716	0.342	6.75	0.216	0.118	0.941	-2.38	1.31	3.01	0.378	60.9
362SR250-43	0.625	0.0451	33	1.34	0.382	0.981	0.541	1.60	0.321	0.917	0.974	0.472	9.33	0.346	0.259	1.20	-2.37	1.30	3.00	0.379	60.8
362SR250-54	0.625	0.0566	50	1.67	0.474	1.21	0.668	1.60	0.393	0.911	1.16	0.541	16.2	0.791	0.506	1.47	-2.35	1.29	2.99	0.379	49.2
362SR300-33	0.625	0.0346	33	1.15	0.329	0.872	0.481	1.63	0.392	1.09	0.781	0.356	7.04	0.216	0.131	1.44	-2.86	1.56	3.47	0.319	70.8
362SR300-43	0.625	0.0451	33	1.49	0.427	1.13	0.621	1.62	0.504	1.09	1.06	0.484	9.57	0.346	0.289	1.84	-2.85	1.56	3.46	0.319	70.7
362SR300-54	0.625	0.0566	50	1.86	0.531	1.39	0.768	1.62	0.618	1.08	1.26	0.558	16.7	0.791	0.567	2.26	-2.84	1.55	3.44	0.320	57.3
400SR162-33	0.50	0.0346	33	0.84	0.236	0.692	0.346	1.71	0.0851	0.600	0.692	0.332	6.55	0.216	0.0942	0.3543	-1.39	0.784	2.29	0.629	40.1
400SR162-43	0.50	0.0451	33	1.09	0.305	0.892	0.446	1.71	0.109	0.596	0.892	0.446	8.81	0.346	0.207	0.4489	-1.38	0.777	2.28	0.631	39.9
400SR162-54	0.50	0.0566	50	1.35	0.378	1.098	0.549	1.70	0.132	0.590	1.10	0.532	15.9	0.791	0.404	0.5461	-1.37	0.770	2.26	0.634	32.2
400SR200-33	0.625	0.0346	33	0.96	0.271	0.812	0.406	1.73	0.153	0.752	0.798	0.363	7.17	0.216	0.108	0.682	-1.83	1.02	2.63	0.515	50.4
400SR200-43	0.625	0.0451	33	1.24	0.350	1.05	0.524	1.73	0.196	0.747	1.05	0.509	10.1	0.346	0.238	0.8675	-1.82	1.02	2.62	0.517	50.3
400SR200-54	0.625	0.0566	50	1.55	0.435	1.29	0.646	1.72	0.239	0.741	1.29	0.585	17.5	0.791	0.464	1.0596	-1.81	1.01	2.61	0.518	40.7
400SR250-33	0.625	0.0346	33	1.08	0.305	0.948	0.474	1.76	0.262	0.927	0.894	0.388	7.67	0.216	0.122	1.14	-2.31	1.28	3.05	0.426	60.8
400SR250-43	0.625	0.0451	33	1.40	0.396	1.22	0.612	1.76	0.336	0.922	1.22	0.535	10.6	0.346	0.268	1.46	-2.30	1.27	3.04	0.428	60.7
400SR250-54	0.625	0.0566	50	1.74	0.491	1.51	0.756	1.75	0.412	0.915	1.45	0.615	18.4	0.791	0.525	1.78	-2.29	1.26	3.02	0.428	49.1
400SR300-33	0.625	0.0346	33	1.20	0.340	1.08	0.542	1.79	0.409	1.10	0.974	0.404	7.99	0.216	0.136	1.75	-2.79	1.53	3.49	0.361	70.7
400SR300-43	0.625	0.0451	33	1.55	0.441	1.40	0.700	1.78	0.526	1.09	1.32	0.549	10.8	0.346	0.299	2.24	-2.78	1.52	3.48	0.361	70.6
400SR300-54	0.625	0.0566	50	1.93	0.548	1.73	0.866	1.78	0.646	1.09	1.57	0.634	19.0	0.791	0.585	2.75	-2.77	1.52	3.46	0.362	57.2
600SR162-33	0.50	0.0346	33	0.99	0.261	1.76	0.585	2.59	0.0947	0.603	1.76	0.563	11.1	0.216	0.104	0.816	-1.26	0.713	2.95	0.818	38.9
600SR162-43	0.50	0.0451	33	1.29	0.338	2.27	0.756	2.59	0.121	0.598	2.27	0.756	14.9	0.346	0.229	1.04	-1.25	0.707	2.94	0.820	38.7
600SR162-54	0.50	0.0566	50	1.60	0.419	2.80	0.933	2.58	0.147	0.592	2.80	0.903	27.0	0.791	0.447	1.27	-1.23	0.700	2.92	0.822	31.2
600SR162-68	0.50	0.0713	50	1.99	0.520	3.45	1.15	2.58	0.177	0.583	3.45	1.15	34.4	1.21	0.880	1.54	-1.22	0.691	2.91	0.825	31.0
600SR162-97	0.50	0.1017	50	2.76	0.717	4.68	1.56	2.56	0.228	0.565	4.68	1.56	46.7	2.36	2.47	2.03	-1.18	0.673	2.87	0.831	30.6
600SR200-33	0.625	0.0346	33	1.11	0.295	2.04	0.679	2.63	0.170	0.758	2.01	0.611	12.1	0.216	0.118	1.51	-1.67	0.943	3.21	0.727	48.8
600SR200-43	0.625	0.0451	33	1.44	0.383	2.63	0.878	2.62	0.218	0.754	2.63	0.854	16.9	0.346	0.260	1.93	-1.66	0.936	3.20	0.729	48.6
600SR200-54	0.625	0.0566	50	1.79	0.476	3.26	1.09	2.62	0.266	0.748	3.26	0.985	29.5	0.791	0.508	2.37	-1.65	0.929	3.18	0.731	39.3
600SR200-68	0.625	0.0713	50	2.23	0.591	4.02	1.34	2.61	0.323	0.739	4.02	1.31	39.1	1.21	1.00	2.89	-1.63	0.920	3.17	0.734	39.1
600SR200-97	0.625	0.1017	50	3.10	0.818	5.50	1.83	2.59	0.426	0.721	5.50	1.83	54.9	2.36	2.82	3.87	-1.60	0.901	3.13	0.739	38.7
600SR250-33	0.625	0.0346	33	1.23	0.330	2.35	0.782	2.67	0.290	0.937	2.22	0.649	12.8	0.216	0.132	2.54	-2.14	1.19	3.54	0.637	59.1
600SR250-43	0.625	0.0451	33	1.59	0.428	3.03	1.01	2.66	0.372	0.933	3.01	0.891	17.6	0.346	0.290	3.25	-2.12	1.18	3.53	0.638	58.9
600SR250-54	0.625	0.0566	50	1.98	0.532	3.76	1.25	2.66	0.457	0.926	3.60	1.03	30.8	0.791	0.568	3.99	-2.11	1.18	3.52	0.640	47.7
600SR250-68	0.625	0.0713	50	2.47	0.662	4.65	1.55	2.65	0.557	0.917	4.59	1.34	40.1	1.21	1.12	4.89	-2.09	1.17	3.50	0.642	47.5
600SR250-97	0.625	0.1017	50	3.45	0.920	6.38	2.13	2.63	0.744	0.899	6.38	2.03	60.8	2.36	3.17	6.60	-2.06	1.15	3.46	0.647	47.2
600SR300-33	0.625	0.0346	33	1.35	0.364	2.65	0.884	2.70	0.450	1.11	2.41	0.673	13.3	0.216	0.145	3.90	-2.61	1.44	3.91	0.557	69.1
600SR300-43	0.625	0.0451	33	1.75	0.473	3.43	1.14	2.69	0.579	1.11	3.25	0.910	18.0	0.346	0.321	4.99	-2.59	1.43	3.90	0.558	68.9
600SR300-54	0.625	0.0566	50	2.18	0.589	4.26	1.42	2.69	0.713	1.10	3.87	1.06	31.6	0.791	0.629	6.15	-2.58	1.42	3.89	0.559	55.8
600SR300-68	0.625	0.0713	50	2.72	0.733	5.27	1.76	2.68	0.873	1.09	4.98	1.39	41.6	1.21	1.24	7.56	-2.56	1.41	3.87	0.561	55.6
600SR300-97	0.625	0.1017	50	3.80	1.02	7.27	2.42	2.67	1.17	1.07	7.14	2.19	65.5	2.36	3.52	10.3	-2.53	1.39	3.83	0.564	55.4
800SR162-43	0.50	0.0451	33	1.35	0.335	4.37	1.09	3.61	0.112	0.577	4.37	1.09	21.6	0.346	0.227	1.86	-1.27	0.676	3.87	0.892	36.5
800SR162-54	0.50	0.0566	50	1.68	0.415	5.40	1.35	3.60	0.135	0.571	5.40	1.31	39.1	0.791	0.444	2.28	-1.26	0.669	3.86	0.894	29.4
800SR162-68	0.50	0.0713	50	2.09	0.514	6.65	1.66	3.60	0.163	0.562	6.65	1.66	49.8	1.21	0.871	2.77	-1.24	0.661	3.85	0.896	29.2
800SR162-97	0.50	0.1017	50	2.91	0.705	9.05	2.26	3.58	0.209	0.544	9.05	2.26	67.8	2.36	2.43	3.68	-1.21	0.643	3.82	0.900	28.6
800SR200-43	0.625	0.0451	33	1.51	0.380	5.04	1.26	3.64	0.201	0.727	5.04	1.23	24.2	0.346	0.258	3.41	-1.68	0.899	4.07	0.830	45.8
800SR200-54	0.625	0.0566	50	1.88	0.472	6.23	1.56	3.63	0.246	0.721	6.23	1.41	42.3	0.791	0.504	4.19	-1.66	0.892	4.06	0.832	37.0
800SR200-68	0.625	0.0713	50	2.34	0.585	7.70	1.93	3.63	0.297	0.713	7.70	1.87	56.1	1.21	0.992	5.12	-1.65	0.883	4.05	0.834	36.8
800SR200-97	0.625	0.1017	50	3.26	0.807	10.5	2.64	3.61	0.390	0.695	10.5	2.64	78.9	2.36	2.78	6.88	-1.62	0.865	4.02	0.838	36.3
800SR250-43	0.625	0.0451	33	1.66	0.426	5.75	1.44	3.68	0.348	0.904	5.71	1.27	25.1	0.346	0.289	5.74	-2.13	1.14	4.34	0.760	56.0
800SR250-54	0.625	0.0566	50	2.07	0.529	7.12	1.78	3.67	0.426	0.897	6.83	1.47	43.9	0.791	0.565	7.07	-2.12	1.13	4.33	0.761	45.3
800SR250-68	0.625	0.0713	50																		

Section Identification	F _y (ksi)	Spacing (in.) o.c.	5 psf			10 psf		
			L/120	L/240	L/360	L/120	L/240	L/360
362SR162-33	33	12	24" 2"	19" 2"	16" 9"	19" 2"	15" 3"	13" 3"
		16	22" 0"	17" 6"	15" 3"	16" 9"	13" 10"	12" 1"
		24	19" 2"	15" 3"	13" 3"	13" 8"	12" 1"	10" 7"
362SR162-43	33	12	26" 4"	20" 10"	18" 3"	20" 10"	16" 7"	14" 6"
		16	24" 0"	19" 0"	16" 7"	19" 0"	15" 1"	13" 2"
		24	20" 10"	16" 7"	14" 6"	15" 10"	13" 2"	11" 6"
362SR162-54	50	12	28" 2"	22" 4"	19" 7"	22" 4"	17" 9"	15" 6"
		16	25" 8"	20" 4"	17" 9"	20" 4"	16" 2"	14" 1"
		24	22" 4"	17" 9"	15" 6"	17" 9"	14" 1"	12" 3"
362SR200-33	33	12	25" 4"	20" 2"	17" 7"	20" 2"	16" 0"	14" 0"
		16	23" 1"	18" 4"	16" 0"	17" 7"	14" 7"	12" 8"
		24	20" 2"	16" 0"	14" 0"	14" 3"	12" 8"	11" 1"
362SR200-43	33	12	27" 10"	22" 1"	19" 3"	22" 1"	17" 7"	15" 3"
		16	25" 3"	20" 1"	17" 7"	20" 1"	15" 10"	13" 10"
		24	22" 1"	17" 7"	15" 3"	17" 0"	13" 10"	12" 2"
362SR200-54	50	12	29" 10"	23" 8"	20" 8"	23" 8"	18" 9"	16" 4"
		16	27" 1"	21" 6"	18" 9"	21" 6"	17" 1"	14" 10"
		24	23" 8"	18" 9"	16" 4"	18" 9"	14" 10"	13" 0"
362SR250-33	33	12	26" 6"	21" 0"	18" 4"	21" 0"	16" 8"	14" 7"
		16	24" 0"	19" 1"	16" 8"	18" 2"	15" 1"	13" 2"
		24	21" 0"	16" 8"	14" 7"	14" 10"	13" 2"	11" 7"
362SR250-43	33	12	29" 3"	23" 3"	20" 3"	23" 3"	18" 6"	16" 1"
		16	26" 7"	21" 2"	18" 6"	21" 2"	16" 9"	14" 8"
		24	23" 3"	18" 6"	16" 1"	17" 6"	14" 8"	12" 9"
362SR250-54	50	12	31" 1"	24" 8"	21" 7"	24" 8"	19" 7"	17" 1"
		16	28" 3"	22" 4"	19" 7"	22" 4"	17" 9"	15" 6"
		24	24" 8"	19" 7"	17" 1"	19" 7"	15" 6"	13" 7"
362SR300-33	33	12	27" 3"	21" 7"	18" 10"	21" 6"	17" 2"	15" 0"
		16	24" 9"	19" 8"	17" 2"	18" 7"	15" 7"	13" 7"
		24	21" 6"	17" 2"	15" 0"	15" 2"	13" 7"	11" 10"
362SR300-43	33	12	30" 2"	24" 0"	20" 10"	24" 0"	19" 0"	16" 7"
		16	27" 4"	21" 9"	19" 0"	21" 8"	17" 3"	15" 1"
		24	24" 0"	19" 0"	16" 7"	17" 9"	15" 1"	13" 2"
362SR300-54	50	12	32" 0"	25" 4"	22" 2"	25" 4"	20" 1"	17" 7"
		16	29" 0"	23" 1"	20" 1"	23" 1"	18" 3"	16" 0"
		24	25" 4"	20" 1"	17" 7"	20" 1"	16" 0"	14" 0"
400SR162-33	33	12	26" 2"	20" 9"	18" 1"	20" 9"	16" 6"	14" 4"
		16	23" 9"	18" 10"	16" 6"	18" 0"	15" 0"	13" 1"
		24	20" 9"	16" 6"	14" 4"	14" 8"	13" 1"	11" 4"
400SR162-43	33	12	28" 6"	22" 7"	19" 8"	22" 7"	17" 10"	15" 8"
		16	25" 10"	20" 6"	17" 10"	20" 6"	16" 3"	14" 2"
		24	22" 7"	17" 10"	15" 8"	17" 0"	14" 2"	12" 4"
400SR162-54	50	12	30" 6"	24" 2"	21" 1"	24" 2"	19" 2"	16" 9"
		16	27" 8"	22" 0"	19" 2"	22" 0"	17" 6"	15" 2"
		24	24" 2"	19" 2"	16" 9"	19" 2"	15" 2"	13" 3"
400SR200-33	33	12	27" 4"	21" 9"	19" 0"	21" 8"	17" 3"	15" 1"
		16	24" 10"	19" 9"	17" 3"	18" 9"	15" 8"	13" 8"
		24	21" 8"	17" 3"	15" 1"	15" 3"	13" 8"	12" 0"
400SR200-43	33	12	30" 1"	23" 10"	20" 9"	23" 10"	18" 10"	16" 6"
		16	27" 3"	21" 8"	18" 10"	21" 8"	17" 2"	15" 0"
		24	23" 10"	18" 10"	16" 6"	18" 2"	15" 0"	13" 1"
400SR200-54	50	12	32" 2"	25" 7"	22" 3"	25" 7"	20" 3"	17" 8"
		16	29" 3"	23" 2"	20" 3"	23" 2"	18" 4"	16" 1"
		24	25" 7"	20" 3"	17" 8"	20" 3"	16" 1"	14" 1"
400SR250-33	33	12	28" 6"	22" 7"	19" 9"	22" 4"	18" 0"	15" 8"
		16	25" 10"	20" 7"	18" 0"	19" 4"	16" 3"	14" 3"
		24	22" 4"	18" 0"	15" 8"	15" 10"	14" 3"	12" 6"
400SR250-43	33	12	31" 7"	25" 1"	21" 10"	25" 1"	19" 10"	17" 4"
		16	28" 8"	22" 9"	19" 10"	22" 9"	18" 1"	15" 9"
		24	25" 1"	19" 10"	17" 4"	18" 8"	15" 9"	13" 9"
400SR250-54	50	12	33" 6"	26" 7"	23" 2"	26" 7"	21" 1"	18" 4"
		16	30" 4"	24" 2"	21" 1"	24" 2"	19" 2"	16" 9"
		24	26" 7"	21" 1"	18" 4"	21" 1"	16" 9"	14" 7"
400SR300-33	33	12	29" 4"	23" 3"	20" 4"	22" 10"	18" 6"	16" 2"
		16	26" 8"	21" 2"	18" 6"	19" 9"	16" 9"	14" 8"
		24	22" 10"	18" 6"	16" 2"	16" 2"	14" 8"	12" 9"
400SR300-43	33	12	32" 6"	25" 9"	22" 6"	25" 9"	20" 6"	17" 10"
		16	29" 6"	23" 4"	20" 6"	23" 2"	18" 7"	16" 2"
		24	25" 9"	20" 6"	17" 10"	18" 10"	16" 2"	14" 2"
400SR300-54	50	12	34" 4"	27" 3"	23" 10"	27" 3"	21" 8"	18" 10"
		16	31" 3"	24" 9"	21" 8"	24" 9"	19" 8"	17" 2"
		24	27" 3"	21" 8"	18" 10"	21" 8"	17" 2"	15" 0"
600SR162-33	33	12	35" 8"	28" 3"	24" 9"	27" 1"	22" 6"	19" 7"
		16	32" 4"	25" 8"	22" 6"	23" 4"	20" 4"	17" 10"
		24	27" 1"	22" 6"	19" 7"	19" 1"	17" 10"	15" 7"

Section Identification	F _y (ksi)	Spacing (in.) o.c.	5 psf			10 psf		
			L/120	L/240	L/360	L/120	L/240	L/360
600SR162-43	33	12	38" 10"	30" 10"	27" 0"	30" 10"	24" 6"	21" 4"
		16	35" 3"	28" 0"	24" 6"	27" 2"	22" 3"	19" 4"
		24	30" 10"	24" 6"	21" 4"	22" 2"	19" 4"	17" 0"
600SR162-54	50	12	41" 8"	33" 1"	28" 10"	33" 1"	26" 3"	22" 10"
		16	37" 10"	30" 1"	26" 3"	30" 1"	23" 10"	20" 9"
		24	33" 1"	26" 3"	22" 10"	26" 3"	20" 9"	18" 2"
600SR162-68	50	12	44" 8"	35" 6"	31" 0"	35" 6"	28" 2"	24" 7"
		16	40" 7"	32" 2"	28" 2"	32" 2"	25" 7"	22" 3"
		24	35" 6"	28" 2"	24" 7"	28" 2"	22" 3"	19" 6"
600SR200-33	33	12	37" 3"	29" 7"	25" 10"	28" 2"	23" 6"	20" 7"
		16	33" 10"	26" 10"	23" 6"	24" 4"	21" 4"	18" 8"
		24	28" 2"	23" 6"	20" 7"	19" 10"	18" 8"	16" 3"
600SR200-43	33	12	40" 10"	32" 6"	28" 4"	32" 6"	25" 9"	22" 6"
		16	37" 2"	29" 6"	25" 9"	28" 10"	23" 4"	20" 4"
		24	32" 6"	25" 9"	22" 6"	23" 7"	20" 4"	17" 10"
600SR200-54	50	12	43" 10"	34" 9"	30" 4"	34" 9"	27" 7"	24" 2"
		16	39" 10"	31" 7"	27" 7"	31" 7"	25" 1"	21" 10"
		24	34" 9"	27" 7"	24" 2"	27" 7"	21" 10"	19" 2"
600SR200-68	50	12	47" 1"	37" 4"	32" 7"	37" 4"	29" 8"	25" 10"
		16	42" 9"	34" 0"	29" 8"	34" 0"	26" 10"	23" 6"
		24	37" 4"	29" 8"	25" 10"	29" 8"	23" 6"	20" 7"
600SR250-43	33	12	42" 9"	34" 0"	29" 8"	34" 0"	27" 0"	23" 6"
		16	38" 10"	30" 10"	27" 0"	29" 6"	24" 6"	21" 4"
		24	34" 0"	27" 0"	23" 6"	24" 1"	21" 4"	18" 8"
600SR250-54	50	12	45" 4"	36" 0"	31" 6"	36" 0"	28" 7"	25" 0"
		16	41" 2"	32" 8"	28" 7"	32" 8"	26" 0"	22" 8"
		24	36" 0"	28" 7"	25" 0"	28" 7"	22" 8"	19" 9"
600SR250-68	50	12	49" 2"	39" 1"	34" 1"	39" 1"	31" 0"	27" 1"
		16	44" 8"	35" 6"	31" 0"	35" 6"	28" 2"	24" 7"
		24	39" 1"	31" 0"	27" 1"	31" 0"	24" 7"	21" 6"
600SR300-43	33	12	43" 10"	34" 9"	30" 4"	34" 6"	27" 7"	24" 1"
		16	39" 10"	31" 7"	27" 7"	29" 9"	25" 1"	21" 10"
		24	34" 6"	27" 7"	24" 1"	24" 4"	21" 10"	19" 2"
600SR300-54	50	12	46" 6"	36" 10"	32" 3"	36" 10"	29" 3"	25" 7"
		16	42" 3"	33" 6"	29" 3"	33" 6"	26" 7"	23" 3"
		24	36" 10"	29" 3"	25" 7"	29" 3"	23" 3"	20" 3"
600SR300-68	50	12	50" 7"	40" 2"	35" 1"	40" 2"	31" 10"	27" 9"
		16	46" 0"	36" 6"	31" 10"	36" 6"	29" 0"	25" 3"
		24	40" 2"	31" 10"	27" 9"	31" 10"	25" 3"	22" 1"
800SR162-43	33	12	48" 6"	38" 6"	33" 7"	37" 9"	30" 6"	26" 8"
		16	44" 0"	35" 0"	30" 6"	32" 9"	27" 8"	24" 2"
		24	37" 9"	30" 6"	26" 8"	26" 8"	24" 2"	21" 2"
800SR162-54	50	12	52" 0"	41" 3"	36" 1"	41" 3"	32" 9"	28" 7"
		16	47" 2"	37" 6"	32" 9"	37" 6"	29" 9"	26" 0"
		24	41" 3"	32" 9"	28" 7"	32" 9"	26" 0"	22" 8"
800SR162-68	50	12	55" 9"	44" 2"	38" 8"	44" 2"	35" 1"	30" 8"
		16	50" 8"	40" 2"	35" 1"	40" 2"	31" 10"	27" 10"
		24	44" 2"	35" 1"	30" 8"	35" 1"	27" 10"	24" 4"
800SR200-43	33	12	50" 9"	40" 4"	35" 3"	40" 1"	32" 0"	28" 0"
		16	46" 2"	36" 8"	32" 0"	34" 8"	29" 1"	25" 4"
		24	40" 1"	32" 0"	28" 0"	28" 3"	25" 4"	22" 2"
800SR200-54	50	12	54" 7"	43" 3"	37" 9"	43" 3"	34" 4"	30" 0"
		16	49" 7"	39" 4"	34" 4"	39" 4"	31" 2"	27" 3"
		24	43" 3"	34" 4"	30" 0"	34" 4"	27" 3"	23" 9"
800SR200-68	50	12	58" 7"	46" 6"	40" 7"	46" 6"		

Member	F _y (ksi)	Spacing (in.) o.c.	15 psf			20 psf			25 psf			30 psf			35 psf			40 psf			50 psf		
			L/240	L/360	L/600	L/240	L/360	L/600	L/240	L/360	L/600	L/240	L/360	L/600	L/240	L/360	L/600	L/240	L/360	L/600	L/240	L/360	L/600
362SR162-33	33	12	15' 0"	13' 1"	11' 1"	13' 7"	11' 10"	10' 1"	12' 3"	11' 1"	9' 3"	11' 2"	10' 4"	8' 9"	10' 4"	9' 10"	8' 3"	9' 8"	9' 6"	8' 0"	8' 8"	8' 8"	7' 4"
		16	13' 7"	11' 10"	10' 1"	11' 10"	10' 9"	9' 1"	10' 7"	10' 1"	8' 6"	9' 8"	9' 6"	8' 0"	9' 0"	9' 0"	7' 7"	8' 1"	8' 1"	7' 3"	6' 6"	6' 6"	6' 6"
		24	11' 2"	10' 4"	8' 9"	9' 8"	9' 6"	8' 0"	8' 8"	8' 8"	7' 4"	7' 2"	7' 2"	7' 0"	6' 2"	6' 2"	6' 2"	5' 4"	5' 4"	5' 4"	4' 3"	4' 3"	4' 3"
362SR162-43	33	12	16' 3"	14' 3"	12' 0"	14' 9"	13' 0"	10' 10"	13' 9"	12' 0"	10' 2"	13' 0"	11' 3"	9' 7"	12' 0"	10' 9"	9' 1"	11' 3"	10' 3"	8' 8"	10' 1"	9' 7"	8' 1"
		16	14' 9"	13' 0"	10' 10"	13' 6"	11' 9"	9' 10"	12' 3"	10' 10"	9' 2"	11' 3"	10' 3"	8' 8"	10' 4"	9' 9"	8' 2"	9' 9"	9' 4"	7' 10"	8' 8"	8' 8"	7' 3"
		24	13' 0"	11' 3"	9' 7"	11' 3"	10' 3"	8' 8"	10' 1"	9' 7"	8' 1"	9' 2"	9' 0"	7' 7"	8' 6"	8' 6"	7' 2"	8' 0"	8' 0"	6' 10"	6' 10"	6' 10"	6' 4"
362SR162-54	50	12	17' 6"	15' 3"	12' 10"	15' 10"	13' 10"	11' 8"	14' 9"	12' 10"	10' 10"	13' 10"	12' 1"	10' 2"	13' 2"	11' 6"	9' 8"	12' 7"	11' 0"	9' 3"	11' 8"	10' 2"	8' 7"
		16	15' 10"	13' 10"	11' 8"	14' 4"	12' 7"	10' 7"	13' 4"	11' 8"	9' 10"	12' 7"	11' 0"	9' 3"	11' 6"	10' 6"	8' 9"	11' 6"	10' 0"	8' 4"	10' 7"	9' 3"	7' 9"
		24	13' 10"	12' 1"	10' 2"	12' 7"	11' 0"	9' 3"	11' 8"	10' 2"	8' 7"	11' 0"	9' 7"	8' 1"	10' 6"	9' 1"	7' 8"	10' 0"	8' 9"	7' 4"	9' 3"	8' 1"	6' 10"
362SR200-33	33	12	15' 9"	13' 9"	11' 7"	14' 3"	12' 6"	10' 7"	12' 9"	11' 7"	9' 9"	11' 8"	10' 10"	9' 2"	10' 9"	10' 4"	8' 9"	10' 1"	9' 10"	8' 4"	8' 8"	8' 8"	7' 9"
		16	14' 3"	12' 6"	10' 7"	12' 4"	11' 4"	9' 7"	11' 1"	10' 7"	8' 10"	10' 1"	9' 10"	8' 4"	9' 3"	9' 3"	8' 0"	8' 1"	8' 1"	7' 7"	6' 6"	6' 6"	6' 6"
		24	11' 8"	10' 10"	9' 2"	10' 1"	9' 10"	8' 4"	8' 8"	8' 8"	7' 9"	7' 2"	7' 2"	7' 2"	6' 2"	6' 2"	6' 2"	5' 4"	5' 4"	5' 4"	4' 3"	4' 3"	4' 3"
362SR200-43	33	12	17' 3"	15' 1"	12' 8"	15' 8"	13' 8"	11' 7"	14' 7"	12' 8"	10' 8"	13' 8"	12' 0"	10' 1"	12' 10"	11' 4"	9' 7"	12' 10"	11' 4"	9' 7"	12' 10"	10' 2"	8' 6"
		16	15' 8"	13' 8"	11' 7"	14' 3"	12' 6"	10' 6"	13' 2"	11' 7"	9' 6"	12' 1"	10' 10"	9' 2"	11' 2"	10' 3"	8' 8"	10' 4"	9' 10"	8' 3"	9' 3"	9' 2"	7' 8"
		24	13' 8"	12' 0"	10' 1"	12' 1"	10' 10"	9' 2"	10' 9"	10' 1"	8' 9"	9' 9"	9' 6"	8' 0"	9' 1"	9' 0"	7' 7"	8' 6"	8' 6"	7' 3"	6' 10"	6' 10"	6' 9"
362SR200-54	50	12	18' 6"	16' 2"	13' 7"	16' 9"	14' 8"	12' 4"	15' 7"	13' 7"	11' 6"	14' 8"	12' 9"	10' 9"	14' 0"	12' 2"	10' 3"	13' 3"	11' 8"	9' 9"	12' 4"	10' 9"	9' 1"
		16	16' 9"	14' 8"	12' 4"	15' 3"	13' 3"	11' 3"	14' 2"	12' 4"	10' 6"	13' 3"	11' 8"	9' 9"	12' 8"	11' 1"	9' 3"	12' 1"	10' 7"	8' 10"	11' 3"	9' 9"	8' 3"
		24	14' 8"	12' 9"	10' 9"	13' 3"	11' 8"	9' 9"	12' 4"	10' 9"	9' 1"	11' 8"	10' 2"	8' 7"	11' 1"	9' 8"	8' 2"	10' 7"	9' 8"	7' 9"	9' 9"	8' 8"	7' 2"
362SR250-33	33	12	16' 4"	14' 3"	12' 1"	14' 10"	13' 0"	11' 0"	13' 3"	12' 1"	10' 2"	12' 1"	11' 4"	9' 7"	11' 2"	10' 9"	9' 1"	10' 6"	10' 3"	8' 8"	8' 8"	8' 8"	8' 1"
		16	14' 10"	13' 0"	11' 0"	12' 10"	11' 9"	10' 0"	11' 6"	11' 0"	9' 3"	10' 6"	10' 3"	8' 8"	9' 3"	9' 3"	8' 3"	8' 1"	8' 1"	7' 10"	6' 6"	6' 6"	6' 6"
		24	12' 1"	11' 4"	9' 7"	10' 6"	10' 3"	8' 8"	8' 8"	8' 8"	8' 1"	7' 2"	7' 2"	7' 2"	6' 2"	6' 2"	6' 2"	5' 4"	5' 4"	5' 4"	4' 3"	4' 3"	4' 3"
362SR250-43	33	12	18' 2"	15' 10"	13' 4"	16' 6"	14' 4"	12' 2"	15' 3"	13' 4"	11' 3"	14' 3"	12' 7"	10' 7"	13' 2"	12' 0"	10' 1"	12' 4"	11' 6"	9' 8"	11' 1"	10' 7"	9' 0"
		16	16' 6"	14' 4"	12' 2"	15' 0"	13' 1"	11' 1"	13' 7"	12' 2"	10' 3"	12' 4"	11' 6"	9' 8"	11' 6"	10' 10"	9' 2"	10' 8"	10' 10"	8' 9"	9' 7"	9' 7"	8' 1"
		24	14' 3"	12' 7"	10' 7"	12' 4"	11' 6"	9' 8"	11' 1"	10' 1"	9' 0"	10' 1"	10' 0"	8' 4"	9' 4"	9' 4"	8' 0"	8' 8"	8' 8"	7' 8"	6' 10"	6' 10"	6' 10"
362SR250-54	50	12	19' 3"	16' 9"	14' 2"	17' 6"	15' 3"	12' 10"	16' 3"	14' 2"	12' 0"	15' 3"	13' 4"	11' 3"	14' 6"	12' 8"	10' 8"	13' 10"	12' 1"	10' 2"	12' 10"	11' 3"	9' 6"
		16	17' 6"	15' 3"	12' 10"	15' 10"	13' 10"	11' 8"	14' 9"	12' 10"	10' 10"	13' 10"	12' 1"	10' 2"	13' 2"	11' 6"	9' 8"	12' 7"	11' 0"	9' 3"	11' 8"	10' 2"	8' 7"
		24	15' 3"	13' 4"	11' 3"	13' 10"	12' 1"	10' 2"	12' 10"	11' 3"	9' 6"	12' 1"	10' 7"	8' 10"	11' 6"	10' 1"	8' 6"	11' 0"	9' 7"	8' 1"	10' 2"	8' 10"	7' 6"
362SR300-33	33	12	16' 10"	14' 9"	12' 4"	15' 2"	13' 4"	11' 3"	13' 7"	12' 4"	10' 3"	12' 4"	11' 8"	9' 10"	11' 6"	11' 1"	9' 4"	10' 6"	10' 7"	9' 0"	8' 8"	8' 8"	8' 3"
		16	15' 2"	13' 4"	11' 3"	13' 1"	12' 2"	10' 3"	11' 9"	11' 3"	9' 6"	10' 8"	10' 7"	9' 0"	9' 3"	9' 3"	8' 6"	8' 1"	8' 1"	8' 1"	6' 6"	6' 6"	6' 6"
		24	12' 4"	11' 8"	9' 10"	10' 8"	10' 7"	9' 0"	8' 8"	8' 8"	8' 3"	7' 2"	7' 2"	7' 2"	6' 2"	6' 2"	6' 2"	5' 4"	5' 4"	5' 4"	4' 3"	4' 3"	4' 3"
362SR300-43	33	12	18' 8"	16' 3"	13' 9"	17' 0"	14' 10"	12' 6"	15' 9"	13' 9"	11' 7"	14' 6"	13' 0"	10' 10"	13' 4"	12' 3"	10' 4"	12' 7"	11' 9"	9' 10"	11' 2"	10' 10"	9' 2"
		16	17' 0"	14' 10"	12' 6"	15' 4"	13' 6"	11' 4"	13' 8"	12' 6"	10' 7"	12' 7"	11' 9"	9' 10"	11' 7"	11' 2"	9' 4"	10' 10"	10' 8"	9' 0"	9' 8"	9' 8"	8' 4"
		24	14' 6"	13' 0"	10' 10"	12' 7"	11' 9"	9' 10"	11' 2"	10' 10"	9' 2"	10' 2"	10' 2"	8' 8"	9' 6"	9' 6"	8' 3"	8' 8"	8' 8"	7' 10"	6' 10"	6' 10"	6' 10"
362SR300-54	50	12	19' 9"	17' 3"	14' 7"	18' 0"	15' 8"	13' 3"	16' 8"	14' 7"	12' 3"	15' 8"	13' 8"	11' 7"	14' 10"	13' 0"	11' 0"	14' 3"	12' 6"	10' 6"	13' 3"	11' 7"	9' 9"
		16	18' 0"	15' 8"	13' 3"	16' 4"	14' 3"	12' 0"	15' 2"	13' 3"	11' 2"	13' 3"	12' 6"	10' 6"	13' 7"	11' 10"	10' 0"	13' 7"	11' 10"	9' 7"	12' 0"	10' 6"	8' 10"
		24	15' 8"	13' 8"	11' 7"	14' 3"	12' 6"	10' 6"	13' 3"	11' 7"	9' 9"	12' 6"	10' 10"	9' 2"	11' 10"	10' 4"	8' 8"	11' 3"	9' 10"	8' 4"	10' 6"	9' 2"	7' 9"
400SR162-33	33	12	16' 2"	14' 2"	11' 10"	14' 8"	12' 10"	10' 10"	13' 1"	11' 10"	10' 1"	12' 0"	11' 2"	9' 6"	11' 1"	10' 8"	9' 0"	10' 4"	10' 2"	8' 7"	8' 8"	8' 8"	8' 0"
		16	14' 8"	12' 10"	10' 10"	12' 8"	11' 8"	9' 10"	11' 4"	10' 10"	9' 2"	10' 4"	10' 2"	8' 7"	9' 3"	9' 3"	8' 2"	8' 1"	8' 1"	7' 9"	6' 6"	6' 6"	6' 6"
		24	12' 0"	11' 2"	9' 6"	10' 4"	10' 2"	8' 7"	8' 8"	8' 8"	8' 0"	7' 2"	7' 2"	7' 2"	6' 2"	6' 2"	6' 2"	5' 4"	5' 4"	5' 4"	4' 3"	4' 3"	4' 3"
400SR162-43	33	12	17' 7"	15' 4"	13' 0"	16' 0"	14' 0"	11' 9"	14' 10"	13' 0"	11' 0"	13' 10"	12' 2"	10' 3"	12' 10"	11' 7"	9' 9"	12' 0"	11' 1"	9' 4"	10' 9"	10' 3"	8' 8"
		16	16' 0"	14' 0"	11' 9"	14' 7"	12' 8"	10' 8"	13' 2"	11' 9"	10' 8"	12' 0"	11' 1"	9' 4"	11' 1"	10' 7"	8' 10"	10' 4"	10' 1"	8' 6"	9' 3"	9' 3"	7' 10"
		24	13' 10"	12' 2"	10' 3"	12' 7"	11' 1"	9' 4"	10' 9"	10' 3"	8' 8"	9' 9"	9' 8"	8' 2"	9' 1"	9' 1"	7' 9"	8' 6"	8' 6"	7' 4"	6' 10"	6' 10"	6' 10"
400SR162-54	50	12	18' 10"	16' 6"	13' 10"	17' 2"	15' 0"	12' 8"	15' 10"	13' 10"	11' 8"	15' 0"	13' 1"	11' 1"	14' 3"	12' 6"	10' 6"	13' 7"	11' 10"	10' 0"	12' 8"	11' 1"	9' 3"
		16	17' 2"	15' 0"	12' 8"	15' 7"	13' 7"	11' 6"	14' 6"	12' 8"	10' 8"	13' 7"	11' 10"	10' 0"	12' 10"	11' 3"	9' 6"	12' 4"	10' 9"	9' 1"	11' 6"	10' 0"	8' 6"
		24	15' 0"	13' 1"	11' 1"	13' 7"	11' 10"	10' 0"	12' 8"	13' 7"	11' 1"	9' 3"	11' 10"	10' 4"	8' 9"	11' 3"	9' 10"	8' 3"	10' 9"	9' 6"	10' 0"	8' 9"	7' 4"
400SR200-33	33	12	17' 0"	14' 10"	12' 6"	15' 3"	13' 6"	11' 4"	13' 8"	12' 6"	10' 7"	12' 6"	11' 9"	9' 10"	11' 7"	11' 2"	9' 6"	10' 9"	10' 8"	9' 0"	8' 8"	8' 8"	8' 4"
		16	15' 3"	13' 6"	11' 4"	13' 3"	12' 3"	10' 3"	11' 10"	11' 4"	9' 7"	10' 9"	10' 8"	9' 0"	9' 3"	9' 3"	8' 7"	8' 1"	8' 1"	8' 1"	6' 6"	6' 6"	6' 6"
		24																					

CURTAINWALL LIMITING HEIGHTS-SINGLE SPAN (ft-in.)

Member	F _y (ksi)	Spacing (in.) o.c.	15 psf			20 psf			25 psf			30 psf			35 psf			40 psf			50 psf		
			L/240	L/360	L/600	L/240	L/360	L/600	L/240	L/360	L/600	L/240	L/360	L/600	L/240	L/360	L/600	L/240	L/360	L/600	L/240	L/360	L/600
600SR162-33	33	12	22' 1"	19' 3"	16' 3"	19' 1"	17' 7"	14' 9"	17' 1"	16' 3"	13' 9"	14' 4"	14' 4"	12' 10"	12' 4"	12' 4"	12' 3"	10' 9"	10' 9"	10' 9"	8' 8"	8' 8"	8' 8"
		16	19' 1"	17' 7"	14' 9"	16' 2"	16' 0"	13' 6"	13' 0"	13' 0"	12' 6"	10' 9"	10' 9"	10' 9"	9' 3"	9' 3"	9' 3"	8' 1"	8' 1"	8' 1"	6' 6"	6' 6"	6' 6"
		24	14' 4"	14' 4"	12' 10"	10' 9"	10' 9"	10' 9"	8' 8"	8' 8"	8' 8"	7' 2"	7' 2"	7' 2"	6' 2"	6' 2"	6' 2"	5' 4"	5' 4"	5' 4"	4' 3"	4' 3"	4' 3"
600SR162-43	33	12	24' 1"	21' 0"	17' 9"	21' 10"	19' 1"	16' 1"	19' 9"	17' 9"	15' 0"	18' 1"	16' 8"	14' 1"	16' 9"	15' 10"	13' 4"	15' 8"	15' 2"	12' 9"	13' 9"	13' 9"	11' 10"
		16	21' 10"	19' 1"	16' 1"	19' 2"	17' 4"	14' 8"	17' 2"	16' 1"	13' 7"	15' 8"	15' 2"	12' 9"	14' 6"	14' 4"	12' 2"	13' 0"	13' 0"	11' 7"	10' 4"	10' 4"	10' 4"
		24	18' 1"	16' 8"	14' 1"	15' 8"	15' 2"	12' 9"	13' 9"	13' 9"	11' 10"	11' 6"	11' 6"	11' 2"	9' 10"	9' 10"	9' 10"	8' 8"	8' 8"	8' 8"	6' 10"	6' 10"	6' 10"
600SR162-54	50	12	25' 9"	22' 7"	19' 0"	23' 6"	20' 6"	17' 3"	21' 9"	19' 0"	16' 1"	20' 6"	17' 10"	15' 1"	19' 6"	17' 0"	14' 4"	18' 7"	16' 3"	13' 8"	17' 3"	15' 1"	12' 8"
		16	23' 6"	20' 6"	17' 3"	21' 3"	18' 7"	15' 8"	19' 9"	17' 3"	14' 7"	18' 7"	16' 3"	13' 8"	17' 8"	15' 6"	13' 0"	16' 10"	14' 9"	12' 6"	15' 8"	13' 8"	11' 7"
		24	20' 6"	17' 10"	15' 1"	18' 7"	16' 3"	13' 8"	17' 3"	15' 1"	12' 8"	16' 3"	14' 2"	12' 0"	15' 6"	13' 6"	11' 4"	14' 9"	12' 10"	10' 10"	13' 3"	12' 0"	10' 1"
600SR162-68	50	12	27' 8"	24' 2"	20' 4"	25' 2"	22' 0"	18' 6"	23' 4"	20' 4"	17' 2"	22' 0"	19' 2"	16' 2"	20' 10"	18' 2"	15' 4"	20' 0"	18' 2"	15' 4"	18' 6"	16' 2"	13' 8"
		16	25' 2"	22' 0"	18' 6"	22' 10"	20' 0"	16' 9"	21' 2"	18' 6"	15' 7"	20' 0"	17' 4"	14' 8"	19' 0"	16' 7"	14' 0"	18' 1"	15' 10"	13' 4"	16' 9"	14' 8"	12' 4"
		24	22' 0"	19' 2"	16' 2"	20' 0"	17' 4"	14' 8"	18' 6"	16' 2"	13' 8"	17' 4"	15' 2"	12' 10"	16' 7"	14' 6"	12' 2"	15' 10"	13' 9"	11' 8"	14' 8"	12' 10"	10' 9"
600SR162-97	50	12	30' 8"	26' 9"	22' 7"	27' 10"	24' 3"	20' 6"	25' 10"	22' 7"	19' 1"	24' 3"	21' 3"	17' 10"	23' 1"	20' 2"	17' 0"	22' 1"	19' 3"	16' 3"	20' 6"	17' 10"	15' 1"
		16	27' 10"	24' 3"	20' 6"	25' 3"	22' 1"	18' 8"	23' 6"	20' 6"	17' 3"	22' 1"	19' 3"	16' 3"	21' 0"	18' 4"	15' 6"	20' 1"	17' 7"	14' 9"	18' 8"	16' 3"	13' 8"
		24	24' 3"	21' 3"	17' 10"	22' 1"	19' 3"	16' 3"	20' 6"	17' 10"	15' 1"	19' 3"	16' 10"	14' 2"	18' 4"	16' 0"	13' 6"	17' 7"	15' 3"	12' 10"	16' 3"	14' 2"	12' 0"
600SR200-33	33	12	23' 0"	20' 2"	17' 1"	19' 10"	18' 4"	15' 6"	17' 3"	17' 1"	14' 4"	14' 4"	14' 4"	13' 6"	12' 4"	12' 4"	12' 4"	10' 9"	10' 9"	10' 9"	8' 8"	8' 8"	8' 8"
		16	19' 10"	18' 4"	15' 6"	16' 2"	16' 2"	14' 1"	13' 0"	13' 0"	13' 0"	10' 9"	10' 9"	10' 9"	9' 3"	9' 3"	9' 3"	8' 1"	8' 1"	8' 1"	6' 6"	6' 6"	6' 6"
		24	14' 4"	14' 4"	13' 6"	10' 9"	10' 9"	10' 9"	8' 8"	8' 8"	8' 8"	7' 2"	7' 2"	7' 2"	6' 2"	6' 2"	6' 2"	5' 4"	5' 4"	5' 4"	4' 3"	4' 3"	4' 3"
600SR200-43	33	12	25' 3"	22' 1"	18' 8"	23' 0"	20' 1"	17' 0"	21' 1"	18' 8"	15' 8"	19' 3"	17' 7"	14' 9"	17' 9"	16' 8"	14' 1"	16' 8"	16' 0"	13' 6"	13' 9"	13' 9"	12' 6"
		16	23' 0"	20' 1"	17' 0"	20' 4"	18' 3"	15' 4"	18' 3"	17' 0"	14' 3"	16' 8"	16' 0"	13' 6"	14' 9"	14' 9"	12' 9"	13' 0"	13' 0"	12' 2"	10' 4"	10' 4"	10' 4"
		24	19' 3"	17' 7"	14' 9"	16' 8"	16' 0"	13' 6"	13' 9"	13' 9"	12' 6"	11' 6"	11' 6"	11' 6"	9' 10"	9' 10"	9' 10"	8' 8"	8' 8"	8' 8"	6' 10"	6' 10"	6' 10"
600SR200-54	50	12	27' 2"	23' 9"	20' 0"	24' 8"	21' 7"	18' 2"	22' 10"	20' 0"	16' 10"	19' 7"	18' 10"	15' 10"	20' 6"	17' 10"	15' 1"	19' 7"	17' 1"	14' 6"	18' 2"	15' 10"	13' 4"
		16	24' 8"	21' 7"	18' 2"	22' 6"	19' 7"	16' 6"	20' 9"	18' 2"	15' 4"	21' 7"	17' 1"	14' 6"	18' 7"	16' 3"	13' 8"	17' 9"	15' 7"	13' 6"	16' 6"	14' 6"	12' 2"
		24	21' 7"	18' 10"	15' 10"	19' 7"	17' 1"	14' 6"	18' 2"	15' 10"	13' 4"	17' 1"	15' 0"	12' 7"	16' 3"	14' 2"	12' 0"	15' 7"	13' 7"	11' 6"	13' 10"	12' 7"	10' 7"
600SR200-68	50	12	29' 2"	25' 6"	21' 6"	26' 6"	23' 2"	19' 6"	24' 7"	21' 6"	18' 1"	23' 2"	20' 2"	17' 1"	22' 0"	19' 2"	16' 2"	21' 0"	18' 4"	15' 6"	19' 6"	17' 1"	14' 4"
		16	26' 6"	23' 2"	19' 6"	24' 1"	21' 0"	17' 8"	22' 4"	19' 6"	16' 6"	21' 0"	18' 4"	15' 6"	20' 0"	17' 6"	14' 8"	19' 1"	16' 8"	14' 1"	17' 8"	15' 6"	13' 1"
		24	23' 2"	20' 2"	17' 1"	21' 0"	18' 4"	15' 6"	19' 6"	17' 1"	14' 4"	18' 4"	16' 1"	13' 6"	17' 6"	15' 3"	12' 10"	16' 8"	14' 7"	12' 3"	15' 6"	13' 6"	11' 4"
600SR200-97	50	12	32' 4"	28' 3"	23' 10"	29' 4"	25' 8"	21' 8"	27' 3"	23' 10"	20' 1"	25' 8"	22' 4"	18' 10"	24' 4"	21' 3"	18' 0"	23' 3"	20' 4"	17' 2"	21' 8"	18' 10"	16' 0"
		16	29' 4"	25' 8"	21' 8"	26' 8"	23' 3"	19' 8"	24' 9"	21' 8"	18' 3"	23' 3"	20' 4"	17' 2"	22' 2"	19' 4"	16' 3"	21' 2"	18' 6"	15' 7"	19' 8"	17' 2"	14' 6"
		24	25' 8"	22' 4"	18' 10"	23' 3"	20' 4"	17' 2"	21' 8"	18' 10"	16' 0"	20' 4"	17' 9"	15' 0"	19' 4"	16' 10"	14' 3"	18' 6"	16' 2"	13' 8"	17' 2"	15' 0"	12' 8"
600SR250-33	33	12	23' 8"	20' 10"	17' 8"	20' 6"	19' 0"	16' 0"	17' 3"	17' 3"	14' 10"	14' 4"	14' 4"	14' 0"	12' 4"	12' 4"	12' 4"	10' 9"	10' 9"	10' 9"	8' 8"	8' 8"	8' 8"
		16	20' 6"	19' 0"	16' 0"	16' 2"	16' 2"	14' 7"	13' 0"	13' 0"	13' 0"	10' 9"	10' 9"	10' 9"	9' 3"	9' 3"	9' 3"	8' 1"	8' 1"	8' 1"	6' 6"	6' 6"	6' 6"
		24	14' 4"	14' 4"	14' 0"	10' 9"	10' 9"	10' 9"	8' 8"	8' 8"	8' 8"	7' 2"	7' 2"	7' 2"	6' 2"	6' 2"	6' 2"	5' 4"	5' 4"	5' 4"	4' 3"	4' 3"	4' 3"
600SR250-43	33	12	26' 6"	23' 2"	19' 6"	24' 1"	21' 0"	17' 9"	21' 7"	19' 6"	16' 6"	19' 8"	18' 4"	15' 6"	18' 2"	17' 6"	14' 8"	17' 1"	16' 8"	14' 1"	13' 9"	13' 9"	13' 1"
		16	24' 1"	21' 0"	17' 9"	20' 10"	19' 1"	16' 1"	18' 8"	17' 9"	15' 0"	17' 1"	16' 8"	14' 1"	14' 9"	14' 9"	13' 4"	13' 0"	13' 0"	12' 9"	10' 4"	10' 4"	10' 4"
		24	19' 8"	18' 4"	15' 6"	17' 1"	16' 8"	14' 1"	13' 9"	13' 9"	13' 1"	11' 6"	11' 6"	11' 6"	9' 10"	9' 10"	9' 10"	8' 8"	8' 8"	8' 8"	6' 10"	6' 10"	6' 10"
600SR250-54	50	12	28' 1"	24' 7"	20' 8"	25' 7"	22' 3"	18' 9"	23' 8"	20' 8"	17' 6"	22' 3"	19' 6"	16' 6"	21' 2"	18' 6"	15' 7"	20' 3"	17' 8"	14' 10"	18' 9"	16' 6"	13' 10"
		16	25' 7"	22' 3"	18' 9"	23' 2"	20' 3"	17' 1"	21' 7"	18' 9"	15' 10"	20' 3"	17' 8"	14' 10"	19' 3"	16' 9"	14' 2"	18' 4"	16' 1"	13' 7"	17' 1"	14' 10"	12' 7"
		24	22' 3"	19' 6"	16' 6"	20' 3"	17' 8"	14' 10"	18' 9"	16' 6"	13' 10"	17' 8"	15' 6"	13' 1"	16' 9"	14' 8"	12' 4"	15' 10"	14' 1"	11' 10"	14' 3"	13' 1"	11' 0"
600SR250-68	50	12	30' 6"	26' 7"	22' 6"	27' 8"	24' 2"	20' 4"	25' 8"	22' 6"	19' 0"	24' 2"	21' 1"	17' 9"	23' 0"	20' 1"	16' 10"	22' 0"	19' 2"	16' 2"	20' 4"	17' 9"	15' 0"
		16	27' 8"	24' 2"	20' 4"	25' 2"	22' 0"	18' 7"	23' 4"	20' 4"	17' 2"	22' 0"	19' 2"	16' 2"	20' 10"	18' 3"	15' 4"	20' 0"	17' 6"	14' 8"	18' 7"	16' 2"	13' 8"
		24	24' 2"	21' 1"	17' 9"	22' 0"	19' 2"	16' 2"	20' 4"	17' 9"	15' 0"	19' 2"	16' 9"	14' 2"	18' 3"	15' 10"	13' 4"	17' 6"	15' 3"	12' 10"	16' 2"	14' 2"	11' 10"
600SR250-97	50	12	34' 0"	29' 8"	25' 1"	30' 10"	27' 0"	22' 9"	28' 8"	25' 1"	21' 2"	27' 0"	23' 7"	19' 10"	25' 8"	22' 4"	18' 10"	24' 7"	21' 4"	18' 1"	22' 9"	19' 10"	16' 9"
		16	30' 10"	27' 0"	22' 9"	28' 1"	24' 7"	20' 8"	26' 1"	22' 9"	19' 2"	24' 7"	21' 4"	18' 1"	23' 3"	20' 4"	17' 2"	22' 3"	19' 6"	16' 4"	20' 8"	18' 1"	15' 3"
		24	27' 0"	23' 7"	19' 10"	24' 7"	21' 4"	18' 1"	22' 9"	19' 10"	16' 9"	21' 4"	18' 8"	15' 9"	20' 4"	17' 9"	15' 0"	19' 6"	17' 0"	14' 4"	18' 1"	15' 9"	13' 3"
600SR300-33	33	12	24' 2"	21' 6"	18' 1"	20' 10"	19' 6"	16' 6"	17' 3"	17' 3"	15' 3"	14' 4"	14' 4"	14' 4"	12' 4"	12' 4"	12' 4"	10' 9"	10' 9"	10' 9"	8' 8"	8' 8"	8' 8"
		16																					

Member	F _y (ksi)	Spacing (in.) o.c.	15 psf			20 psf			25 psf			30 psf			35 psf			40 psf			50 psf		
			L/240	L/360	L/600	L/240	L/360	L/600	L/240	L/360	L/600	L/240	L/360	L/600	L/240	L/360	L/600	L/240	L/360	L/600	L/240	L/360	L/600
800SR162-43	33	12	30' 0"	26' 2"	22' 1"	26' 8"	23' 9"	20' 1"	23' 10"	22' 1"	18' 8"	21' 9"	20' 9"	17' 7"	19' 9"	19' 9"	16' 8"	17' 3"	17' 3"	16' 0"	13' 9"	13' 9"	13' 9"
		16	26' 8"	23' 9"	20' 1"	23' 2"	21' 8"	18' 3"	20' 8"	20' 1"	17' 0"	17' 3"	17' 3"	16' 0"	14' 9"	14' 9"	14' 9"	13' 0"	13' 0"	13' 0"	10' 4"	10' 4"	10' 4"
		24	21' 9"	20' 9"	17' 7"	17' 3"	17' 3"	16' 0"	13' 9"	13' 9"	13' 9"	11' 6"	11' 6"	11' 6"	9' 10"	9' 10"	9' 10"	8' 8"	8' 8"	8' 8"	6' 10"	6' 10"	6' 10"
800SR162-54	50	12	32' 2"	28' 2"	23' 8"	29' 3"	25' 7"	21' 7"	27' 2"	23' 8"	20' 0"	25' 7"	22' 3"	18' 9"	24' 3"	21' 2"	17' 10"	23' 2"	20' 3"	17' 1"	21' 7"	18' 9"	15' 10"
		16	29' 3"	25' 7"	21' 7"	26' 7"	23' 2"	19' 7"	24' 8"	21' 7"	18' 2"	23' 2"	20' 3"	17' 1"	22' 1"	19' 3"	16' 3"	21' 1"	18' 4"	15' 7"	19' 7"	17' 1"	14' 4"
		24	25' 7"	22' 3"	18' 9"	23' 2"	20' 3"	17' 1"	21' 7"	18' 9"	15' 10"	20' 3"	17' 8"	15' 0"	19' 2"	16' 9"	14' 2"	18' 0"	16' 1"	13' 7"	15' 9"	15' 0"	12' 7"
800SR162-68	50	12	34' 7"	30' 2"	25' 6"	31' 4"	27' 4"	23' 1"	29' 1"	25' 6"	21' 6"	27' 4"	24' 0"	20' 2"	26' 1"	22' 9"	19' 2"	24' 10"	21' 9"	18' 4"	23' 1"	20' 2"	17' 0"
		16	31' 4"	27' 4"	23' 1"	28' 6"	24' 10"	21' 0"	26' 6"	23' 1"	19' 6"	24' 10"	21' 9"	18' 4"	23' 8"	20' 8"	17' 4"	22' 7"	19' 9"	16' 8"	21' 0"	18' 4"	15' 6"
		24	27' 4"	24' 0"	20' 2"	24' 10"	21' 9"	18' 4"	23' 1"	20' 2"	17' 0"	21' 9"	19' 0"	16' 0"	20' 8"	18' 1"	15' 2"	19' 9"	17' 3"	14' 7"	18' 2"	16' 0"	13' 6"
800SR162-97	50	12	38' 3"	33' 4"	28' 2"	34' 9"	30' 4"	25' 7"	32' 3"	28' 2"	23' 9"	30' 4"	26' 6"	22' 4"	28' 10"	25' 2"	21' 3"	27' 7"	24' 1"	20' 3"	25' 7"	22' 4"	18' 10"
		16	34' 9"	30' 4"	25' 7"	31' 7"	27' 7"	23' 3"	29' 3"	25' 7"	21' 7"	27' 7"	24' 1"	20' 3"	26' 2"	22' 10"	19' 3"	25' 1"	21' 10"	18' 6"	23' 3"	20' 3"	17' 2"
		24	30' 4"	26' 6"	22' 4"	27' 7"	24' 1"	20' 3"	25' 7"	22' 4"	18' 10"	24' 1"	21' 1"	17' 9"	22' 10"	20' 0"	16' 10"	21' 10"	19' 1"	16' 1"	20' 3"	17' 9"	15' 0"
800SR200-43	33	12	31' 6"	27' 6"	23' 2"	28' 3"	25' 0"	21' 1"	25' 4"	23' 2"	19' 7"	23' 1"	21' 9"	18' 4"	19' 9"	19' 9"	17' 6"	17' 3"	17' 3"	16' 8"	13' 9"	13' 9"	13' 9"
		16	28' 3"	25' 0"	21' 1"	24' 6"	22' 8"	19' 2"	20' 9"	20' 9"	17' 9"	17' 3"	17' 3"	16' 8"	14' 9"	14' 9"	14' 9"	13' 0"	13' 0"	13' 0"	10' 4"	10' 4"	10' 4"
		24	23' 1"	21' 9"	18' 4"	17' 3"	17' 3"	16' 8"	13' 9"	13' 9"	13' 9"	11' 6"	11' 6"	11' 6"	9' 10"	9' 10"	9' 10"	8' 8"	8' 8"	8' 8"	6' 10"	6' 10"	6' 10"
800SR200-54	50	12	33' 9"	29' 7"	24' 10"	30' 8"	26' 9"	22' 7"	28' 6"	24' 10"	21' 0"	26' 9"	23' 6"	19' 9"	25' 6"	22' 3"	18' 9"	24' 4"	21' 3"	18' 0"	22' 7"	19' 9"	16' 8"
		16	30' 8"	26' 9"	22' 7"	27' 10"	24' 4"	20' 7"	25' 10"	22' 7"	19' 1"	24' 4"	21' 3"	18' 0"	23' 2"	20' 2"	17' 1"	22' 2"	19' 4"	16' 3"	20' 6"	18' 0"	15' 2"
		24	26' 9"	23' 6"	19' 9"	24' 4"	21' 3"	18' 0"	22' 7"	19' 9"	16' 8"	21' 3"	18' 7"	15' 8"	20' 0"	17' 8"	14' 10"	18' 8"	16' 10"	14' 3"	15' 9"	15' 8"	13' 2"
800SR200-68	50	12	36' 3"	31' 8"	26' 8"	33' 0"	28' 9"	24' 3"	30' 7"	26' 8"	22' 7"	28' 9"	25' 2"	21' 2"	27' 4"	23' 10"	20' 2"	26' 2"	22' 10"	19' 3"	24' 3"	21' 2"	17' 10"
		16	33' 0"	28' 9"	24' 3"	30' 0"	26' 2"	22' 1"	27' 9"	24' 3"	20' 6"	26' 2"	22' 10"	19' 3"	24' 10"	21' 8"	18' 3"	23' 9"	20' 9"	17' 6"	22' 1"	19' 3"	16' 3"
		24	28' 9"	25' 2"	21' 2"	26' 2"	22' 10"	19' 3"	24' 3"	21' 2"	17' 10"	22' 10"	20' 0"	16' 9"	21' 8"	19' 0"	16' 0"	20' 9"	18' 1"	15' 3"	19' 3"	16' 9"	14' 2"
800SR200-97	50	12	40' 3"	35' 2"	29' 8"	36' 7"	32' 0"	27' 0"	34' 0"	29' 8"	25' 0"	32' 0"	27' 10"	23' 7"	30' 4"	26' 6"	22' 4"	29' 1"	25' 4"	21' 4"	27' 0"	23' 7"	19' 10"
		16	36' 7"	32' 0"	27' 0"	33' 3"	29' 1"	24' 6"	30' 10"	27' 0"	22' 9"	29' 1"	25' 4"	21' 4"	27' 7"	24' 1"	20' 3"	26' 4"	23' 1"	19' 6"	24' 6"	21' 4"	18' 1"
		24	32' 0"	27' 10"	23' 7"	29' 1"	25' 4"	21' 4"	27' 0"	23' 7"	19' 10"	25' 4"	22' 2"	18' 8"	24' 1"	21' 1"	17' 9"	23' 1"	20' 1"	17' 0"	21' 4"	18' 8"	15' 9"
800SR250-43	33	12	32' 10"	28' 8"	24' 2"	28' 10"	26' 1"	22' 0"	25' 9"	24' 2"	20' 4"	23' 1"	22' 9"	19' 2"	19' 9"	19' 9"	18' 3"	17' 3"	17' 3"	17' 3"	13' 9"	13' 9"	13' 9"
		16	28' 10"	26' 1"	22' 0"	25' 0"	23' 8"	20' 0"	20' 9"	20' 9"	18' 7"	17' 3"	17' 3"	17' 3"	14' 9"	14' 9"	14' 9"	13' 0"	13' 0"	13' 0"	10' 4"	10' 4"	10' 4"
		24	23' 1"	22' 9"	19' 2"	17' 3"	17' 3"	17' 3"	13' 9"	13' 9"	13' 9"	11' 6"	11' 6"	11' 6"	9' 10"	9' 10"	9' 10"	8' 8"	8' 8"	8' 8"	6' 10"	6' 10"	6' 10"
800SR250-54	50	12	34' 10"	30' 6"	25' 8"	31' 8"	27' 8"	23' 3"	29' 4"	25' 8"	21' 8"	27' 8"	24' 2"	20' 4"	26' 3"	23' 0"	19' 4"	25' 2"	22' 0"	18' 6"	23' 3"	20' 4"	17' 2"
		16	31' 8"	27' 8"	23' 3"	28' 9"	25' 2"	21' 2"	26' 8"	23' 3"	19' 8"	25' 2"	22' 0"	18' 6"	23' 10"	20' 10"	17' 7"	22' 10"	20' 0"	16' 9"	20' 10"	18' 6"	15' 7"
		24	27' 8"	24' 2"	20' 4"	25' 2"	22' 0"	18' 6"	23' 3"	20' 4"	17' 2"	22' 0"	19' 2"	16' 2"	20' 4"	18' 2"	15' 4"	19' 1"	17' 4"	14' 8"	15' 9"	15' 9"	13' 8"
800SR250-68	50	12	37' 9"	33' 0"	27' 10"	34' 4"	30' 0"	25' 3"	31' 10"	27' 10"	23' 6"	30' 0"	26' 2"	22' 1"	28' 6"	24' 10"	21' 0"	27' 3"	23' 9"	20' 1"	25' 3"	22' 1"	18' 8"
		16	34' 4"	30' 0"	25' 3"	31' 2"	27' 3"	23' 0"	29' 0"	25' 3"	21' 4"	27' 3"	23' 9"	20' 1"	25' 10"	22' 7"	19' 1"	24' 9"	21' 7"	18' 3"	23' 0"	20' 1"	16' 10"
		24	30' 0"	26' 2"	22' 1"	27' 3"	23' 9"	20' 1"	25' 3"	22' 1"	18' 8"	23' 9"	20' 9"	17' 7"	22' 7"	19' 9"	16' 8"	21' 7"	18' 10"	15' 10"	19' 6"	17' 7"	14' 9"
800SR250-97	50	12	42' 2"	36' 10"	31' 1"	38' 4"	33' 6"	28' 3"	35' 7"	31' 1"	26' 2"	33' 6"	29' 3"	24' 8"	31' 9"	27' 9"	23' 6"	30' 6"	26' 7"	22' 4"	28' 3"	24' 8"	20' 9"
		16	38' 4"	33' 6"	28' 3"	34' 10"	30' 6"	25' 8"	32' 4"	28' 3"	23' 9"	30' 6"	26' 7"	22' 4"	28' 10"	25' 3"	21' 3"	27' 8"	24' 2"	20' 4"	25' 8"	22' 4"	18' 10"
		24	33' 6"	29' 3"	24' 8"	30' 6"	26' 7"	22' 4"	28' 3"	24' 8"	20' 9"	26' 7"	23' 2"	19' 7"	25' 3"	22' 1"	18' 7"	24' 2"	21' 1"	17' 9"	22' 4"	19' 7"	16' 6"
800SR300-43	33	12	33' 7"	29' 4"	24' 9"	29' 1"	26' 8"	22' 6"	26' 0"	24' 9"	20' 10"	23' 1"	23' 1"	19' 8"	19' 9"	19' 9"	18' 8"	17' 3"	17' 3"	17' 3"	13' 9"	13' 9"	13' 9"
		16	29' 1"	26' 8"	22' 6"	25' 2"	24' 3"	20' 6"	20' 9"	20' 9"	19' 0"	17' 3"	17' 3"	17' 3"	14' 9"	14' 9"	14' 9"	13' 0"	13' 0"	13' 0"	10' 4"	10' 4"	10' 4"
		24	23' 1"	23' 1"	19' 8"	17' 3"	17' 3"	17' 3"	13' 9"	13' 9"	13' 9"	11' 6"	11' 6"	11' 6"	9' 10"	9' 10"	9' 10"	8' 8"	8' 8"	8' 8"	6' 10"	6' 10"	6' 10"
800SR300-54	50	12	35' 8"	31' 2"	26' 3"	32' 4"	28' 3"	23' 10"	30' 1"	26' 3"	22' 2"	28' 3"	24' 8"	20' 10"	26' 10"	23' 6"	19' 9"	25' 8"	22' 6"	19' 0"	23' 10"	20' 10"	17' 7"
		16	32' 4"	28' 3"	23' 10"	29' 6"	25' 8"	21' 8"	27' 3"	23' 10"	20' 1"	25' 8"	22' 6"	19' 0"	24' 4"	21' 4"	18' 0"	23' 4"	20' 4"	17' 2"	21' 1"	19' 0"	16' 0"
		24	28' 3"	24' 8"	20' 10"	25' 8"	22' 6"	19' 0"	23' 10"	20' 10"	17' 7"	22' 3"	19' 7"	16' 7"	20' 7"	18' 8"	15' 8"	19' 3"	17' 9"	15' 0"	15' 9"	15' 9"	14' 0"
800SR300-68	50	12	38' 9"	33' 10"	28' 7"	35' 2"	30' 9"	26' 0"	32' 8"	28' 7"	24' 1"	30' 9"	26' 10"	22' 8"	29' 2"	25' 7"	21' 7"	28' 0"	24' 4"	20' 7"	26' 0"	22' 8"	19' 1"
		16	35' 2"	30' 9"	26' 0"	32' 0"	28' 0"	23' 7"	29' 8"	26' 0"	21' 10"	28' 0"	24' 4"	20' 7"	26' 7"	23' 2"	19' 7"	25' 4"	22' 2"	18' 8"	23' 7"	20' 7"	17' 4"
		24	30' 9"	26' 10"	22' 8"	28' 0"	24' 4"	20' 7"	26' 0"	22' 8"	19' 1"	24' 4"	21' 3"	18' 0"	23' 2"	20' 3"	17' 1"	22' 1"	19' 4"	16' 4"	19' 9"	18' 0"	15' 2"
800SR300-97	50	12	43' 8"	38' 2"	32' 2"	39' 8"	34' 8"	29' 3"	36' 10"	32' 2"	27' 2"	34' 8"	30' 3"	25' 7"	33' 0"	28' 9"	24' 3"	31' 6"	27' 6"	23' 2"	29' 3"	25'	

Notes:

- Allowable axial loads listed are based on simple one span condition and are given in kips (1 kip = 1,000 lb).
- Allowable axial loads are determined based on Section H1 of AISI S100-16 with the assumption that the axial load passes through the centroid of the effective section.
- Allowable axial loads are based on 48" o.c. bracing.
- Studs are assumed to be adequately braced at a maximum spacing of L_b to develop full allowable moment, M_a .
- Listed wind pressures represent the calculated design wind pressure (0.6W based on 2018 and 2021 IBC). For deflection calculations, the listed wind pressures have been reduced by 0.70 as per IBC. The 5 psf pressure has not been reduced for deflection checks. Values are based on studs cut through the center of the punchout.

3-5/8"

5 psf Lateral Load (Interior Walls Only)

Wall Height (ft)	Stud Spacing (in.) o.c.	362SR162					362SR200					362SR250					362SR300				
		33 ksi		50 ksi			33 ksi		50 ksi			33 ksi		50 ksi			33 ksi		50 ksi		
		33	43	54	68	97	33	43	54	68	97	33	43	54	68	97	33	43	54	68	97
8	12	2.22	2.97	4.51	--	--	2.64	3.66	5.66	--	--	2.85	4.12	6.31	--	--	2.97	4.21	6.36	--	--
	16	2.13	2.89	4.43	--	--	2.55	3.57	5.57	--	--	2.76	4.02	6.22	--	--	2.88	4.12	6.28	--	--
	24	1.95	2.72	4.28	--	--	2.36	3.39	5.39	--	--	2.58	3.83	6.04	--	--	2.70	3.93	6.11	--	--
9	12	2.06	2.79	4.21	--	--	2.46	3.44	5.25	--	--	2.67	3.90	5.93	--	--	2.80	4.00	6.00	--	--
	16	1.94	2.68	4.11	--	--	2.34	3.32	5.14	--	--	2.56	3.77	5.81	--	--	2.68	3.88	5.89	--	--
	24	1.73	2.47	3.92	--	--	2.12	3.09	4.92	--	--	2.33	3.53	5.58	--	--	2.46	3.64	5.67	--	--
10	12	1.88	2.58	3.88	--	--	2.26	3.18	4.81	--	--	2.47	3.65	5.51	--	--	2.60	3.76	5.59	--	--
	16	1.74	2.45	3.76	--	--	2.12	3.03	4.67	--	--	2.33	3.49	5.36	--	--	2.46	3.61	5.46	--	--
	24	1.49	2.20	3.53	--	--	1.85	2.76	4.41	--	--	2.06	3.20	5.08	--	--	2.19	3.33	5.20	--	--
12	12	1.48	2.11	3.13	--	--	1.82	2.61	3.86	--	--	2.03	3.04	4.49	--	--	2.16	3.22	4.75	--	--
	16	1.32	1.94	2.98	--	--	1.64	2.43	3.68	--	--	1.85	2.84	4.30	--	--	1.98	3.01	4.56	--	--
	24	1.02 ³	1.64 ⁴	2.70	--	--	1.32 ³	2.09	3.37	--	--	1.52 ⁴	2.47	3.96	--	--	1.64 ⁴	2.64	4.22	--	--
14	12	1.10 ⁴	1.64	2.43	--	--	1.39	2.04	2.97	--	--	1.58	2.40	3.48	--	--	1.71	2.63	3.88	--	--
	16	0.93 ³	1.45 ⁴	2.27	--	--	1.19 ³	1.84 ⁴	2.79	--	--	1.38 ⁴	2.17	3.27	--	--	1.50 ⁴	2.39	3.66	--	--
	24	0.62 ²	1.13 ³	1.98 ³	--	--	0.86 ³	1.48 ³	2.46 ³	--	--	1.02 ³	1.77 ³	2.91 ⁴	--	--	1.13 ³	1.97 ⁴	3.27 ⁴	--	--
16	12	0.78 ³	1.22 ³	1.87 ⁴	--	--	1.00 ³	1.54 ⁴	2.28	--	--	1.18 ³	1.82	2.68	--	--	1.30 ³	2.07	3.06	--	--
	16	0.61 ²	1.03 ³	1.70 ³	--	--	0.81 ³	1.33 ³	2.10 ³	--	--	0.97 ³	1.59 ³	2.47 ⁴	--	--	1.08 ³	1.82 ⁴	2.84 ⁴	--	--
	24	0.31 ¹	0.72 ²	1.42 ²	--	--	0.48 ²	0.98 ²	1.78 ³	--	--	0.62 ²	1.20 ³	2.12 ³	--	--	0.71 ²	1.38 ³	2.44 ³	--	--

3-5/8"

15 psf Lateral Load

Wall Height (ft)	Stud Spacing (in.) o.c.	362SR162					362SR200					362SR250					362SR300				
		33 ksi		50 ksi			33 ksi		50 ksi			33 ksi		50 ksi			33 ksi		50 ksi		
		33	43	54	68	97	33	43	54	68	97	33	43	54	68	97	33	43	54	68	97
8	12	1.70	2.48	4.06	--	--	2.10	3.13	5.14	--	--	2.32	3.55	5.77	--	--	2.45	3.66	5.86	--	--
	16	1.47	2.24	3.85	--	--	1.85	2.87	4.90	--	--	2.07	3.28	5.52	--	--	2.20	3.40	5.62	--	--
	24	1.03	1.81	3.45	--	--	1.38	2.39	4.43	--	--	1.59	2.77	5.03	--	--	1.72	2.90	5.15	--	--
9	12	1.43	2.17	3.65	--	--	1.80	2.77	4.61	--	--	2.01	3.18	5.25	--	--	2.14	3.31	5.36	--	--
	16	1.16	1.90	3.40	--	--	1.50	2.46	4.32	--	--	1.71	2.86	4.94	--	--	1.84	2.99	5.07	--	--
	24	0.66 ³	1.39 ⁴	2.93	--	--	0.97 ⁴	1.91	3.77	--	--	1.16	2.26	4.35	--	--	1.29	2.39	4.51	--	--
10	12	1.16	1.86	3.22	--	--	1.49	2.39	4.05	--	--	1.69	2.79	4.69	--	--	1.83	2.93	4.83	--	--
	16	0.85 ⁴	1.55	2.93	--	--	1.16 ⁴	2.05	3.72	--	--	1.36	2.42	4.33	--	--	1.48	2.55	4.48	--	--
	24	0.31 ³	0.98 ³	2.40 ⁴	--	--	0.57 ³	1.43 ⁴	3.12	--	--	0.75 ³	1.74	3.67	--	--	0.86 ³	1.87	3.84	--	--
12	12	0.65 ³	1.24 ⁴	2.34	--	--	0.91 ³	1.65 ⁴	2.96	--	--	1.08 ⁴	1.98	3.50	--	--	1.20 ⁴	2.14	3.76	--	--
	16	0.31 ²	0.89 ³	2.01 ³	--	--	0.54 ³	1.27 ³	2.59 ⁴	--	--	0.70 ³	1.55 ⁴	3.09	--	--	0.81 ³	1.70 ⁴	3.34	--	--
	24		0.28 ²	1.45 ³	--	--	0.60 ²	1.94 ³	3.12	--	--	0.81 ³	2.36 ³	4.33	--	--	1.02 ³	2.02 ³	3.59 ³	--	--
14	12	0.24 ²	0.72 ³	1.61 ³	--	--	0.43 ²	1.03 ³	2.05 ³	--	--	0.57 ³	1.27 ³	2.44 ⁴	--	--	0.66 ³	1.43 ³	2.77 ⁴	--	--
	16		0.37 ²	1.29 ²	--	--	0.07 ²	0.64 ²	1.69 ³	--	--	0.18 ²	0.83 ³	2.04 ³	--	--	0.25 ²	0.96 ³	2.33 ³	--	--
	24			0.74 ¹	--	--		1.07 ²	1.72 ³	--	--		1.34 ²	2.12 ³	--	--		1.56 ²	2.59 ³	--	--
16	12		0.32 ²	1.06 ²	--	--	0.08 ¹	0.55 ²	1.38 ³	--	--	0.17 ²	0.71 ²	1.67 ³	--	--	0.24 ²	0.84 ³	1.94 ³	--	--
	16			0.76 ¹	--	--		0.18 ¹	1.04 ²	--	--		0.30 ²	1.29 ²	--	--		0.38 ²	1.52 ²	--	--
	24			0.25 ¹	--	--		0.46 ¹	1.04 ²	--	--		0.64 ¹	1.29 ²	--	--		0.79 ¹	1.52 ²	--	--

3-5/8"

20 psf Lateral Load

Wall Height (ft)	Stud Spacing (in.) o.c.	362SR162					362SR200					362SR250					362SR300				
		33 ksi		50 ksi			33 ksi		50 ksi			33 ksi		50 ksi			33 ksi		50 ksi		
		33	43	54	68	97	33	43	54	68	97	33	43	54	68	97	33	43	54	68	97
8	12	1.47	2.24	3.85	--	--	1.85	2.87	4.90	--	--	2.07	3.28	5.52	--	--	2.20	3.40	5.62	--	--
	16	1.17	1.95	3.58	--	--	1.53	2.55	4.59	--	--	1.75	2.94	5.19	--	--	1.88	3.06	5.31	--	--
	24	0.63 ³	1.40	3.07	--	--	0.95 ⁴	1.95	4.00	--	--	1.15	2.29	4.57	--	--	1.28	2.42	4.71	--	--
9	12	1.16	1.90	3.40	--	--	1.50	2.46	4.32	--	--	1.71	2.86	4.94	--	--	1.84	2.99	5.07	--	--
	16	0.82 ⁴	1.55	3.08	--	--	1.14	2.09	3.95	--	--	1.34	2.45	4.54	--	--	1.47	2.58	4.69	--	--
	24	0.21 ³	0.93 ³	2.49 ⁴	--	--	0.48 ³	1.40 ⁴	3.27	--	--	0.66 ³	1.70	3.81	--	--	0.78 ³	1.83	3.98	--	--
10	12	0.85 ⁴	1.55	2.93	--	--	1.16 ⁴	2.05	3.72	--	--	1.36	2.42	4.33	--	--	1.48	2.55	4.48	--	--
	16	0.48 ³	1.16 ³	2.57	--	--	0.76 ³	1.63 ⁴	3.31	--	--	0.94 ³	1.96	3.88	--	--	1.06 ⁴	2.09	4.05	--	--
	24		0.49 ³	1.93 ³	--	--	0.88 ³	2.57 ³	4.33	--	--	1.14 ³	3.08 ⁴	5.19	--	--	1.31 ³	2.53 ³	4.25 ⁴	--	--
12	12	0.31 ²	0.89 ³	2.01 ³	--	--	0.54 ³	1.27 ³	2.59 ⁴	--	--	0.70 ³	1.55 ⁴	3.09	--	--	0.81 ³	1.70 ⁴	3.34	--	--
	16		0.47 ²	1.63 ³	--	--	0.11 ²	0.81 ³	2.15 ³	--	--	0.25 ²	1.04 ³	2.59 ³	--	--	0.34 ³	1.17 ³	2.83 ⁴	--	--
	24			0.96 ²	--	--		1.39 ²	2.15 ³	--	--		1.74 ³	3.09	--	--		2.02 ²	3.25 ³	--	--
14	12		0.37 ²	1.29 ²	--	--		0.64 ²	1.69 ³	--	--	0.18 ²	0.83 ³	2.04 ³	--	--	0.25 ²	0.96 ³	2.33 ³	--	--
	16			0.91 ²	--	--		0.19 ²	1.26 ²	--	--		0.32 ²	1.56 ²	--	--		0.41 ²			

3-5/8"

25 psf Lateral Load

Wall Height (ft)	Stud Spacing (in.) o.c.	362S162					362S200					362S250					362S300				
		33 ksi		50 ksi			33 ksi		50 ksi			33 ksi		50 ksi			33 ksi		50 ksi		
		33	43	54	68	97	33	43	54	68	97	33	43	54	68	97	33	43	54	68	97
8	12	1.24	2.02	3.65			1.61	2.63	4.66			1.82	3.02	5.27			1.96	3.14	5.38		
	16	0.89 ⁴	1.67	3.32	--	--	1.23	2.24	4.29	--	--	1.44	2.61	4.88	--	--	1.57	2.73	5.00	--	--
	24	0.25 ³	1.02 ⁴	2.71			0.54 ³	1.53	3.58			0.73 ⁴	1.84	4.13			0.85 ⁴	1.96	4.28		
9	12	0.90 ⁴	1.64	3.16			1.23	2.18	4.04			1.43	2.55	4.64			1.56	2.68	4.78		
	16	0.50 ³	1.23 ⁴	2.78	--	--	0.80 ³	1.73	3.60	--	--	0.99 ⁴	2.07	4.17	--	--	1.11 ⁴	2.20	4.33	--	--
	24		0.50 ³	2.08 ³			0.93 ³	2.81 ⁴				0.20 ³	1.19 ³	3.31 ⁴			0.30 ³	1.31 ⁴	3.48		
10	12	0.57 ³	1.26 ⁴	2.65			0.86 ³	1.73	3.41			1.04 ⁴	2.07	3.99			1.17 ⁴	2.20	4.15		
	16	0.15 ³	0.81 ³	2.24 ³	--	--	0.39 ³	1.24 ³	2.93 ⁴	--	--	0.56 ³	1.53 ⁴	3.47	--	--	0.67 ³	1.66 ⁴	3.64	--	--
	24			1.49 ³			0.38 ³	2.08 ³				0.58 ³	2.53 ³				0.68 ³	2.70 ³			
12	12		0.57 ³	1.72 ³			0.22 ²	0.92 ³	2.25 ³			0.36 ³	1.16 ³	2.71 ³			0.45 ³	1.29 ³	2.95 ⁴		
	16		0.10 ²	1.28 ²	--	--		0.40 ²	1.75 ³	--	--		0.58 ³	2.15 ³	--	--		0.68 ³	2.37 ³	--	--
	24			0.52 ¹				0.29 ²	1.36 ²	--	--		0.44 ²	1.67 ³	--	--		0.54 ²	1.93 ³	--	--
14	12			1.00 ²	--	--			1.32 ²	--	--			1.13 ²	--	--			1.34 ²	--	--
	16			0.57 ¹					0.88 ²	--	--			0.21 ¹	--	--			0.32 ¹	--	--
	24																				
16	12			0.49 ¹	--	--			0.74 ¹	--	--			0.95 ²	--	--			1.13 ²	--	--
	16								0.29 ¹	--	--			0.44 ¹	--	--			0.57 ¹	--	--
	24																				

3-5/8"

30 psf Lateral Load

Wall Height (ft)	Stud Spacing (in.) o.c.	362SR162					362SR200					362SR250					362SR300				
		33 ksi		50 ksi			33 ksi		50 ksi			33 ksi		50 ksi			33 ksi		50 ksi		
		33	43	54	68	97	33	43	54	68	97	33	43	54	68	97	33	43	54	68	97
8	12	1.03	1.81	3.45			1.38	2.39	4.43			1.59	2.77	5.03			1.72	2.90	5.15		
	16	0.63 ³	1.40	3.07	--	--	0.95 ⁴	1.95	4.00	--	--	1.15	2.29	4.57	--	--	1.28	2.42	4.71	--	--
	24		0.65 ³	2.37 ⁴			0.16 ³	1.13 ⁴	3.19			0.34 ³	1.41 ⁴	3.71			0.45 ³	1.53	3.87		
9	12	0.66 ³	1.39 ⁴	2.93			0.97 ⁴	1.91	3.77			1.16	2.26	4.35			1.29	2.39	4.51		
	16	0.21 ³	0.93 ³	2.49 ⁴	--	--	0.48 ³	1.40 ⁴	3.27	--	--	0.66 ³	1.70	3.81	--	--	0.78 ³	1.83	3.98	--	--
	24		0.10 ²	1.70 ³			0.49 ³	2.37 ³				0.71 ³	2.83 ³				0.81 ³	3.01 ⁴			
10	12	0.31 ³	0.98 ³	2.40 ⁴			0.57 ³	1.43 ⁴	3.12			0.75 ³	1.74	3.67			0.86 ³	1.87	3.84		
	16		0.49 ³	1.93 ³	--	--		0.88 ³	2.57 ³	--	--	0.21 ³	1.14 ³	3.08 ⁴	--	--	0.31 ³	1.25 ³	3.25 ⁴	--	--
	24			1.09 ²				1.62 ³					2.02 ³				0.15 ³	2.19 ³			
12	12		0.28 ²	1.45 ³			0.60 ²	1.94 ³	3.12			0.81 ³	2.36 ³	4.35			0.12 ²	0.92 ³	2.59 ³		
	16			0.96 ²	--	--		1.39 ²	2.77 ³	--	--		0.16 ²	1.74 ³	--	--		0.24 ²	1.94 ³	--	--
	24			0.11 ¹				0.43 ¹	1.07 ²	--	--			0.66 ²	--	--		0.80 ²			
14	12			0.74 ¹	--	--			1.07 ²	--	--			1.34 ²	--	--		0.16 ²	1.56 ²	--	--
	16			0.27 ¹				0.54 ¹		--	--			0.74 ¹	--	--			0.91 ²	--	--
	24																				
16	12			0.25 ¹	--	--			0.46 ¹	--	--			0.64 ¹	--	--			0.79 ¹	--	--
	16																		0.16 ¹	--	--
	24																				

3-5/8"

35 psf Lateral Load

Wall Height (ft)	Stud Spacing (in.) o.c.	362SR162					362SR200					362SR250					362SR300				
		33 ksi		50 ksi			33 ksi		50 ksi			33 ksi		50 ksi			33 ksi		50 ksi		
		33	43	54	68	97	33	43	54	68	97	33	43	54	68	97	33	43	54	68	97
8	12	0.82 ⁴	1.60	3.26			1.16	2.17	4.21			1.37	2.53	4.80			1.50	2.65	4.93		
	16	0.37 ³	1.14 ⁴	2.83	--	--	0.67 ³	1.66	3.72	--	--	0.87 ⁴	1.99	4.27	--	--	0.99	2.11	4.42	--	--
	24		0.31 ³	2.04 ³			0.74 ³	2.81 ⁴				1.00 ⁴	3.30 ⁴				1.11 ⁴	3.47			
9	12	0.43 ³	1.15 ⁴	2.70			0.72 ³	1.65	3.52			0.91 ⁴	1.97	4.08			1.03 ⁴	2.10	4.24		
	16		0.64 ³	2.22 ³	--	--	0.18 ³	1.08 ³	2.96 ⁴	--	--	0.35 ³	1.36 ⁴	3.47	--	--	0.46 ³	1.48 ⁴	3.65	--	--
	24			1.34 ³				1.96 ³				0.25 ³	2.38 ³				0.35 ³	2.56 ³			
10	12		0.73 ³	2.16 ³			0.31 ³	1.15 ³	2.84 ⁴			0.47 ³	1.43 ⁴	3.37			0.58 ³	1.55 ⁴	3.54		
	16		0.18 ²	1.63 ³	--	--		0.54 ³	2.24 ³	--	--		0.76 ³	2.71 ³	--	--		0.87 ³	2.88 ³	--	--
	24			0.72 ²				1.19 ²					1.54 ³						1.71 ³		
12	12			1.20 ²				0.30 ²	1.66 ³				0.47 ²	2.04 ³				0.57 ³	2.26 ³		
	16			0.66 ¹	--	--			1.05 ²	--	--			1.35 ²	--	--			1.54 ²	--	--
	24													0.18 ¹	--	--			0.30 ¹	--	--
14	12			0.49 ¹	--	--			0.79 ¹	--	--			1.03 ²	--	--			1.23 ²	--	--
	16							0.22 ¹		--	--			0.38 ¹	--	--			0.51 ¹	--	--
	24																				
16	12							0.21 ¹		--	--			0.35 ¹	--	--			0.46 ¹	--	--
	16																				
	24																				

¹ Deflection meets L/120 ² Deflection meets L/240 ³ Deflection meets L/360 ⁴ Deflection meets L/600 *If no note, deflection meets L/720

STRUCTURAL FRAMING

3-5/8"

40 psf Lateral Load

Wall Height (ft)	Stud Spacing (in.) o.c.	362SR162					362SR200					362SR250					362SR300				
		33 ksi		50 ksi			33 ksi		50 ksi			33 ksi		50 ksi			33 ksi		50 ksi		
		33	43	54	68	97	33	43	54	68	97	33	43	54	68	97	33	43	54	68	97
8	12	0.63 ³	1.40	3.07	--	--	0.95 ⁴	1.95	4.00	--	--	1.15	2.29	4.57	--	--	1.28	2.42	4.71	--	--
	16	0.13 ³	0.89 ³	2.60 ⁴	--	--	0.41 ³	1.39 ⁴	3.45	--	--	0.60 ³	1.69	3.99	--	--	0.72 ⁴	1.82	4.14	--	--
	24			1.73 ³	--	--		0.38 ³	2.45 ³	--	--		0.60 ³	2.91 ⁴	--	--		0.71 ³	3.09 ⁴	--	--
9	12	0.21 ³	0.93 ³	2.49 ⁴	--	--	0.48 ³	1.40 ⁴	3.27	--	--	0.66 ³	1.70	3.81	--	--	0.78 ³	1.83	3.98	--	--
	16		0.36 ³	1.95 ³	--	--		0.78 ³	2.66 ³	--	--		1.03 ³	3.15 ⁴	--	--	0.15 ³	1.14 ⁴	3.32 ⁴	--	--
	24			1.00 ²	--	--			1.56 ³	--	--			1.95 ³	--	--		1.14 ⁴	2.13 ³	--	--
10	12		0.49 ³	1.93 ³	--	--		0.88 ³	2.57 ³	--	--	0.21 ³	1.14 ³	3.08 ⁴	--	--	0.31 ³	1.25 ³	3.25 ⁴	--	--
	16			1.36 ³	--	--		0.22 ²	1.92 ³	--	--		0.41 ³	2.35 ³	--	--		0.50 ³	2.53 ³	--	--
	24			0.36 ²	--	--			0.79 ²	--	--			1.09 ²	--	--			1.25 ²	--	--
12	12			0.96 ²	--	--			1.39 ²	--	--		0.16 ²	1.74 ³	--	--		0.24 ²	1.94 ³	--	--
	16			0.38 ¹	--	--			0.73 ²	--	--			1.00 ²	--	--			1.16 ²	--	--
	24				--	--				--	--				--	--				--	--
14	12			0.27 ¹	--	--			0.54 ¹	--	--			0.74 ¹	--	--			0.91 ²	--	--
	16				--	--				--	--				--	--			0.14 ¹	--	--
	24				--	--				--	--				--	--				--	--
16	12				--	--				--	--				--	--			0.16 ¹	--	--
	16				--	--				--	--				--	--				--	--
	24				--	--				--	--				--	--				--	--

3-5/8"

50 psf Lateral Load

Wall Height (ft)	Stud Spacing (in.) o.c.	362SR162					362SR200					362SR250					362SR300				
		33 ksi		50 ksi			33 ksi		50 ksi			33 ksi		50 ksi			33 ksi		50 ksi		
		33	43	54	68	97	33	43	54	68	97	33	43	54	68	97	33	43	54	68	97
8	12	0.25 ³	1.02 ⁴	2.71	--	--	0.54 ³	1.53	3.58	--	--	0.73 ⁴	1.84	4.13	--	--	0.85 ⁴	1.96	4.28	--	--
	16		0.42 ³	2.15 ³	--	--		0.87 ³	2.94 ⁴	--	--		1.13 ⁴	3.44	--	--	0.19 ³	1.25 ⁴	3.60	--	--
	24			1.13 ³	--	--			1.76 ³	--	--			2.17 ³	--	--			2.35 ³	--	--
9	12		0.50 ³	2.08 ³	--	--		0.93 ³	2.81 ⁴	--	--	0.20 ³	1.19 ³	3.31 ⁴	--	--	0.30 ³	1.31 ⁴	3.48	--	--
	16			1.46 ³	--	--		0.21 ³	2.09 ³	--	--		0.40 ³	2.53 ³	--	--		0.50 ³	2.71 ³	--	--
	24			0.36 ²	--	--			0.83 ²	--	--			1.15 ²	--	--			1.32 ³	--	--
10	12			1.49 ³	--	--		0.38 ³	2.08 ³	--	--		0.58 ³	2.53 ³	--	--		0.68 ³	2.70 ³	--	--
	16			0.84 ²	--	--			1.33 ²	--	--			1.70 ³	--	--			1.87 ³	--	--
	24				--	--				--	--			0.25 ²	--	--			0.39 ²	--	--
12	12			0.52 ¹	--	--			0.89 ²	--	--			1.17 ²	--	--			1.35 ²	--	--
	16				--	--			0.14 ¹	--	--			0.33 ¹	--	--			0.46 ²	--	--
	24				--	--				--	--				--	--				--	--
14	12				--	--				--	--			0.21 ¹	--	--			0.32 ¹	--	--
	16				--	--				--	--				--	--				--	--
	24				--	--				--	--				--	--				--	--
16	12				--	--				--	--				--	--				--	--
	16				--	--				--	--				--	--				--	--
	24				--	--				--	--				--	--				--	--

¹ Deflection meets L/120 ² Deflection meets L/240 ³ Deflection meets L/360 ⁴ Deflection meets L/600 *If no note, deflection meets L/720



For more information, please contact MarinoWARE® Technical Services at 866-545-1545.

This technical information reflects the most current information available and supersedes any and all previous publications effective May 22, 2023 | MW StudRite Technical Catalog | © WARE Industries, Inc. 2023

4"

5 psf Lateral Load (Interior Walls Only)

Wall Height (ft)	Stud Spacing (in. o.c.)	400SR162					400SR200					400SR250					400SR300				
		33 ksi			50 ksi		33 ksi			50 ksi		33 ksi			50 ksi		33 ksi			50 ksi	
		33	43	54	68	97	33	43	54	68	97	33	43	54	68	97	33	43	54	68	97
8	12	2.51	3.35	5.20			2.95	4.10	6.51			3.17	4.54	7.02			3.30	4.64	7.19		
	16	2.42	3.26	5.13	--	--	2.86	4.01	6.42	--	--	3.08	4.45	6.94	--	--	3.21	4.55	7.10	--	--
	24	2.25	3.10	4.98			2.68	3.83	6.25			2.90	4.27	6.77			3.04	4.38	6.94		
9	12	2.36	3.18	4.93			2.79	3.89	6.14			3.01	4.34	6.73			3.14	4.45	6.85		
	16	2.25	3.08	4.83	--	--	2.67	3.78	6.03	--	--	2.89	4.23	6.62	--	--	3.02	4.33	6.74	--	--
	24	2.03	2.87	4.64			2.45	3.55	5.81			2.67	3.99	6.40			2.81	4.11	6.54		
10	12	2.19	2.99	4.62			2.60	3.66	5.72			2.82	4.12	6.39			2.95	4.23	6.47		
	16	2.06	2.86	4.50	--	--	2.46	3.51	5.58	--	--	2.68	3.97	6.24	--	--	2.81	4.09	6.34	--	--
	24	1.80	2.61	4.26			2.19	3.24	5.31			2.41	3.69	5.97			2.55	3.81	6.08		
12	12	1.80	2.54	3.89			2.18	3.11	4.77			2.39	3.58	5.49			2.53	3.72	5.61		
	16	1.63	2.36	3.72	--	--	1.99	2.92	4.59	--	--	2.20	3.37	5.29	--	--	2.34	3.52	5.43	--	--
	24	1.31 ⁴	2.04	3.41			1.65 ⁴	2.56	4.25			1.85	3.00	4.92			2.00	3.15	5.08		
14	12	1.40	2.05	3.10			1.73	2.52	3.80			1.93	2.95	4.43			2.07	3.14	4.72		
	16	1.20 ³	1.84	2.91	--	--	1.51 ⁴	2.30	3.59	--	--	1.71	2.70	4.20	--	--	1.85	2.90	4.49	--	--
	24	0.86 ³	1.48 ³	2.58 ⁴			1.14 ³	1.90 ³	3.22			1.32 ³	2.27 ⁴	3.78			1.45 ³	2.45	4.08		
16	12	1.03 ³	1.58 ⁴	2.41			1.31 ⁴	1.97	2.94			1.49 ⁴	2.32	3.44			1.63	2.56	3.85		
	16	0.83 ³	1.37 ³	2.22 ⁴	--	--	1.09 ³	1.73 ³	2.73	--	--	1.26 ³	2.07 ⁴	3.21	--	--	1.39 ³	2.29	3.60	--	--
	24	0.49 ²	1.01 ²	1.89 ³			0.72 ²	1.33 ³	2.37 ³			0.86 ²	1.62 ³	2.80 ³			0.97 ³	1.82 ³	3.16 ³		

4"

15 psf Lateral Load

Wall Height (ft)	Stud Spacing (in. o.c.)	400SR162					400SR200					400SR250					400SR300				
		33 ksi			50 ksi		33 ksi			50 ksi		33 ksi			50 ksi		33 ksi			50 ksi	
		33	43	54	68	97	33	43	54	68	97	33	43	54	68	97	33	43	54	68	97
8	12	2.00	2.86	4.76			2.42	3.58	6.01			2.65	4.00	6.52			2.78	4.12	6.70		
	16	1.76	2.63	4.54	--	--	2.18	3.33	5.76	--	--	2.40	3.75	6.28	--	--	2.54	3.87	6.47	--	--
	24	1.31	2.19	4.13			1.71	2.85	5.30			1.92	3.25	5.81			2.06	3.38	6.01		
9	12	1.73	2.57	4.36			2.13	3.23	5.50			2.35	3.66	6.08			2.49	3.79	6.23		
	16	1.45	2.29	4.10	--	--	1.83	2.93	5.20	--	--	2.05	3.34	5.78	--	--	2.19	3.48	5.94	--	--
	24	0.92 ⁴	1.77	3.60			1.28	2.36	4.64			1.49	2.75	5.19			1.63	2.89	5.38		
10	12	1.45	2.26	3.93			1.82	2.86	4.94			2.04	3.29	5.58			2.18	3.42	5.71		
	16	1.13	1.93	3.62	--	--	1.48	2.51	4.59	--	--	1.69	2.91	5.21	--	--	1.83	3.05	5.36	--	--
	24	0.55 ³	1.34 ⁴	3.05			0.87 ³	1.86	3.95			1.05 ⁴	2.22	4.53			1.18	2.37	4.70		
12	12	0.89 ³	1.61	3.00			1.21 ⁴	2.09	3.79			1.39	2.49	4.41			1.53	2.64	4.60		
	16	0.53 ³	1.23 ³	2.64 ⁴	--	--	0.81 ³	1.68 ⁴	3.38	--	--	0.98 ³	2.03	3.96	--	--	1.11 ⁴	2.18	4.15	--	--
	24		0.56 ³	1.99 ³			0.13 ²	0.94 ³	2.66 ³			0.26 ³	1.23 ³	3.16 ⁴			0.37 ³	1.36 ³	3.36 ⁴		
14	12	0.43 ³	1.02 ³	2.15 ³			0.67 ³	1.40 ³	2.74 ⁴			0.82 ³	1.72 ⁴	3.25			0.94 ³	1.88 ⁴	3.53		
	16		0.62 ²	1.77 ³	--	--	0.26 ²	0.96 ³	2.32 ³	--	--	0.39 ³	1.23 ³	2.78 ³	--	--	0.49 ³	1.37 ³	3.04 ⁴	--	--
	24			1.13 ³				0.21 ²	1.60 ³				0.40 ²	1.97 ³				0.50 ²	2.20 ³		
16	12		0.55 ²	1.47 ³			0.25 ²	0.83 ³	1.90 ³			0.36 ²	1.07 ³	2.28 ³			0.45 ²	1.22 ³	2.59 ³		
	16		0.16 ²	1.11 ²	--	--		0.41 ²	1.51 ²	--	--		0.59 ²	1.83 ³	--	--		0.71 ²	2.11 ³	--	--
	24			0.50 ¹				0.83 ¹					1.07 ²					1.27 ²			

4"

20 psf Lateral Load

Wall Height (ft)	Stud Spacing (in. o.c.)	400SR162					400SR200					400SR250					400SR300				
		33 ksi			50 ksi		33 ksi			50 ksi		33 ksi			50 ksi		33 ksi			50 ksi	
		33	43	54	68	97	33	43	54	68	97	33	43	54	68	97	33	43	54	68	97
8	12	1.76	2.63	4.54			2.18	3.33	5.76			2.40	3.75	6.28			2.54	3.87	6.47		
	16	1.46	2.34	4.26	--	--	1.86	3.00	5.45	--	--	2.08	3.42	5.96	--	--	2.22	3.54	6.16	--	--
	24	0.90	1.78	3.74			1.27	2.40	4.86			1.47	2.78	5.35			1.61	2.92	5.57		
9	12	1.45	2.29	4.10			1.83	2.93	5.20			2.05	3.34	5.78			2.19	3.48	5.94		
	16	1.09	1.94	3.76	--	--	1.46	2.54	4.82	--	--	1.67	2.94	5.38	--	--	1.81	3.08	5.56	--	--
	24	0.45 ³	1.29 ⁴	3.14			0.78 ⁴	1.83	4.11			0.97 ⁴	2.19	4.65			1.10	2.33	4.84		
10	12	1.13	1.93	3.62			1.48	2.51	4.59			1.69	2.91	5.21			1.83	3.05	5.36		
	16	0.73 ³	1.53	3.23	--	--	1.06 ⁴	2.07	4.16	--	--	1.25	2.45	4.75	--	--	1.39	2.59	4.92	--	--
	24		0.81 ³	2.53 ⁴			0.32 ³	1.27 ³	3.37 ⁴			0.48 ³	1.60 ⁴	3.91			0.60 ³	1.74	4.09		
12	12	0.53 ³	1.23 ³	2.64 ⁴	--	--	0.81 ³	1.68 ⁴	3.38	--	--	0.98 ³	2.03	3.96	--	--	1.11 ⁴	2.18	4.15	--	--
	16	0.10 ²	0.77 ³	2.20 ³	--	--	0.35 ³	1.17 ³	2.88 ⁴	--	--	0.49 ³	1.48 ³	3.42 ⁴	--	--	0.60 ³	1.62 ⁴	3.61	--	--
	24			1.43 ²				0.30 ²	2.02 ³				0.53 ³	2.46 ³				0.64 ³	2.65 ³		
14	12		0.62 ²	1.77 ³			0.26 ²	0.96 ³	2.32 ³			0.39 ³	1.23 ³	2.78 ³			0.49 ³	1.37 ³	3.04 ⁴		
	16		0.16 ²	1.33 ²	--	--		0.45 ²	1.83 ³	--	--		0.66 ³	2.23 ³	--	--		0.78 ³	2.46 ³	--	--
	24			0.58 ¹				0.98 ²					1.28 ²					1.46 ²			
16	12		0.16 ²	1.11 ²				0.41 ²	1.51 ²				0.59 ²	1.83 ³				0.71 ²	2.11 ³		
	16			0.69 ¹	--	--			1.04 ²	--	--			1.31 ²	--	--		0.11 ²	1.53 ²	--	--
	24							0.26 ¹					0.43 ¹					0.56 ¹			

¹ Deflection meets L/120 ²

4"

25 psf Lateral Load

Wall Height (ft)	Stud Spacing (in.) o.c.	400SR162					400SR200					400SR250					400SR300				
		33 ksi		50 ksi			33 ksi		50 ksi			33 ksi		50 ksi			33 ksi		50 ksi		
		33	43	54	68	97	33	43	54	68	97	33	43	54	68	97	33	43	54	68	97
8	12	1.53	2.41	4.33			1.94	3.08	5.53			2.16	3.50	6.04			2.30	3.62	6.24		
	16	1.17	2.05	4.00	--	--	1.56	2.69	5.15	--	--	1.77	3.09	5.65	--	--	1.91	3.23	5.86	--	--
	24	0.50 ⁴	1.39	3.36			0.85 ⁴	1.97	4.43			1.05	2.33	4.92			1.18	2.47	5.14		
9	12	1.18	2.03	3.84			1.55	2.64	4.91			1.76	3.04	5.48			1.90	3.18	5.65		
	16	0.76 ⁴	1.61	3.44	--	--	1.11	2.18	4.46	--	--	1.31	2.56	5.01	--	--	1.45	2.70	5.20	--	--
	24		0.84 ³	2.70 ⁴			0.31 ³	1.34 ⁴	3.62			0.48 ³	1.67	4.13			0.60 ³	1.80	4.34		
10	12	0.83 ⁴	1.63	3.33			1.17 ⁴	2.17	4.26			1.36	2.56	4.86			1.50	2.70	5.03		
	16	0.37 ³	1.16 ³	2.87	--	--	0.68 ³	1.66 ⁴	3.75	--	--	0.85 ³	2.01	4.32	--	--	0.98 ⁴	2.15	4.50	--	--
	24		0.32 ³	2.05 ³				0.74 ³	2.83 ³				1.02 ³	3.33 ⁴				1.15 ³	3.52 ⁴		
12	12	0.20 ²	0.88 ³	2.30 ³			0.46 ³	1.29 ³	3.00 ⁴			0.61 ³	1.62 ⁴	3.55			0.72 ³	1.76 ⁴	3.74		
	16		0.36 ²	1.80 ³	--	--		0.72 ³	2.44 ³	--	--		0.99 ³	2.92 ³	--	--	0.14 ³	1.11 ³	3.12 ⁴	--	--
	24			0.92 ²				1.45 ²					1.83 ³					2.01 ³			
14	12		0.27 ²	1.44 ²				0.57 ²	1.94 ³				0.80 ³	2.36 ³				0.92 ³	2.60 ³		
	16			0.94 ²	--	--			1.39 ²	--	--		0.15 ²	1.73 ³	--	--		0.24 ²	1.94 ³	--	--
	24							0.44 ¹					0.66 ¹					0.81 ²			
16	12			0.79 ¹					1.15 ²				0.17 ²	1.44 ²				0.25 ²	1.67 ²		
	16			0.32 ¹	--	--			0.63 ¹	--	--			0.85 ¹	--	--			1.02 ²	--	--
	24																				

4"

30 psf Lateral Load

Wall Height (ft)	Stud Spacing (in.) o.c.	400SR162					400SR200					400SR250					400SR300				
		33 ksi		50 ksi			33 ksi		50 ksi			33 ksi		50 ksi			33 ksi		50 ksi		
		33	43	54	68	97	33	43	54	68	97	33	43	54	68	97	33	43	54	68	97
8	12	1.31	2.19	4.13			1.71	2.85	5.30			1.92	3.25	5.81			2.06	3.38	6.01		
	16	0.90	1.78	3.74	--	--	1.27	2.40	4.86	--	--	1.47	2.78	5.35	--	--	1.61	2.92	5.57	--	--
	24	0.13 ³	1.01 ⁴	3.00			0.46 ³	1.55	4.02			0.64 ⁴	1.90	4.50			0.77 ⁴	2.04	4.73		
9	12	0.92 ⁴	1.77	3.60			1.28	2.36	4.64			1.49	2.75	5.19			1.63	2.89	5.38		
	16	0.45 ³	1.29 ⁴	3.14	--	--	0.78 ⁴	1.83	4.11	--	--	0.97 ⁴	2.19	4.65	--	--	1.10	2.33	4.84	--	--
	24		0.42 ³	2.29 ³				0.87 ³	3.16 ⁴				1.17 ⁴	3.64			0.14 ³	1.30 ⁴	3.85		
10	12	0.55 ³	1.34 ⁴	3.05			0.87 ³	1.86	3.95			1.05 ⁴	2.22	4.53			1.18	2.37	4.70		
	16		0.81 ³	2.53 ⁴	--	--	0.32 ³	1.27 ³	3.37 ⁴	--	--	0.48 ³	1.60 ⁴	3.91	--	--	0.60 ³	1.74	4.09	--	--
	24			1.61 ³				0.24 ³	2.33 ³				0.48 ³	2.79 ³				0.60 ³	2.98 ³		
12	12		0.56 ³	1.99 ³			0.13 ²	0.94 ³	2.66 ³			0.26 ³	1.23 ³	3.16 ⁴			0.37 ³	1.36 ³	3.36 ⁴		
	16			1.43 ²	--	--		0.30 ²	2.02 ³	--	--		0.53 ³	2.46 ³	--	--		0.64 ³	2.65 ³	--	--
	24			0.46 ¹					0.93 ²				1.25 ²					1.42 ²			
14	12			1.13 ²				0.21 ²	1.60 ²				0.40 ²	1.97 ³				0.50 ²	2.20 ³		
	16			0.58 ¹	--	--			0.98 ²	--	--			1.28 ²	--	--			1.46 ²	--	--
	24												0.10 ¹					0.21 ¹			
16	12			0.50 ¹					0.83 ¹					1.07 ²					1.27 ²		
	16				--	--			0.26 ¹	--	--			0.43 ¹	--	--			0.56 ¹	--	--
	24																				

4"

35 psf Lateral Load

Wall Height (ft)	Stud Spacing (in.) o.c.	400SR162					400SR200					400SR250					400SR300				
		33 ksi		50 ksi			33 ksi		50 ksi			33 ksi		50 ksi			33 ksi		50 ksi		
		33	43	54	68	97	33	43	54	68	97	33	43	54	68	97	33	43	54	68	97
8	12	1.10	1.98	3.93			1.48	2.62	5.07			1.69	3.02	5.58			1.84	3.15	5.79		
	16	0.63 ⁴	1.52	3.49	--	--	0.99	2.11	4.57	--	--	1.19	2.48	5.06	--	--	1.32	2.62	5.28	--	--
	24		0.65 ³	2.66 ⁴				1.16 ⁴	3.63			0.25 ³	1.48	4.10			0.37 ⁴	1.62	4.33		
9	12	0.68 ⁴	1.52	3.37			1.03 ⁴	2.09	4.37			1.22	2.46	4.92			1.36	2.60	5.11		
	16	0.15 ³	0.99 ³	2.84 ⁴	--	--	0.47 ³	1.50 ⁴	3.78	--	--	0.64 ³	1.84	4.30	--	--	0.77 ⁴	1.98	4.50	--	--
	24			1.90 ³				0.43 ³	2.72 ³				0.70 ³	3.17 ⁴				0.83 ³	3.38 ⁴		
10	12	0.28 ³	1.07 ³	2.78 ⁴			0.59 ³	1.56 ⁴	3.65			0.76 ³	1.91	4.21			0.88 ⁴	2.05	4.39		
	16		0.48 ³	2.21 ³	--	--		0.91 ³	3.01 ⁴	--	--	0.12 ³	1.21 ³	3.52 ⁴	--	--	0.23 ³	1.34 ⁴	3.71	--	--
	24			1.19 ²					1.86 ³				2.27 ³						2.47 ³		
12	12		0.26 ²	1.70 ³				0.61 ³	2.33 ³				0.87 ³	2.80 ³				0.99 ³	3.00 ³		
	16			1.09 ²	--	--			1.64 ²	--	--		0.10 ²	2.03 ³	--	--		0.19 ³	2.22 ³	--	--
	24								0.45 ¹				0.71 ²					0.86 ²			
14	12			0.84 ²					1.28 ²					1.61 ²				0.11 ²	1.82 ³		
	16			0.24 ¹	--	--			0.61 ¹	--	--			0.86 ²	--	--			1.02 ²	--	--
	24																				
16	12			0.24 ¹					0.54 ¹					0.74 ¹					0.90 ²		
	16				--	--				--	--				--	--			0.13 ¹	--	--
	24																				

¹ Deflection meets L/120 ² Deflection meets L/240 ³ Deflection meets L/360 ⁴ Deflection meets L/600 *If no note, deflection meets L/720

4"

40 psf Lateral Load

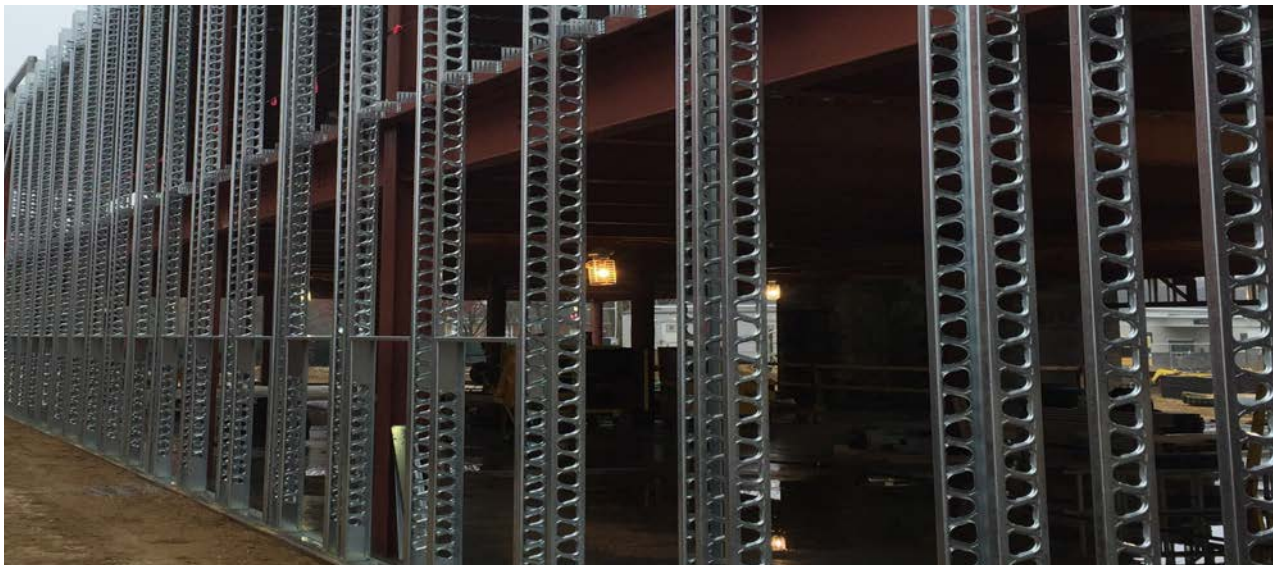
Wall Height (ft)	Stud Spacing (in.) o.c.	400SR162					400SR200					400SR250					400SR300				
		33 ksi		50 ksi			33 ksi		50 ksi			33 ksi		50 ksi			33 ksi		50 ksi		
		33	43	54	68	97	33	43	54	68	97	33	43	54	68	97	33	43	54	68	97
8	12	0.90	1.78	3.74	--	--	1.27	2.40	4.86	--	--	1.47	2.78	5.35	--	--	1.61	2.92	5.57	--	--
	16	0.38 ³	1.26	3.24	--	--	0.72 ⁴	1.83	4.29	--	--	0.91	2.19	4.78	--	--	1.04	2.32	5.00	--	--
	24		0.30 ³	2.32 ³				0.78 ³	3.25 ⁴				1.08 ⁴	3.70				1.21 ⁴	3.93		
9	12	0.45 ³	1.29 ⁴	3.14	--	--	0.78 ⁴	1.83	4.11	--	--	0.97 ⁴	2.19	4.65	--	--	1.10	2.33	4.84	--	--
	16		0.70 ³	2.56 ⁴			0.16 ³	1.18 ³	3.47			0.32 ³	1.50 ⁴	3.97			0.45 ³	1.64	4.17		
	24			1.53 ³					2.30 ³				0.25 ³	2.73 ³				0.37 ³	2.93 ³		
10	12		0.81 ³	2.53 ⁴	--	--	0.32 ³	1.27 ³	3.37 ⁴	--	--	0.48 ³	1.60 ⁴	3.91	--	--	0.60 ³	1.74	4.09	--	--
	16		0.17 ³	1.90 ³				0.57 ³	2.66 ³				0.84 ³	3.14 ⁴				0.96 ³	3.34 ⁴		
	24			0.80 ²					1.41 ²					1.79 ³					1.98 ³		
12	12			1.43 ²	--	--		0.30 ²	2.02 ³	--	--		0.53 ³	2.46 ³	--	--		0.64 ³	2.65 ³	--	--
	16			0.76 ²					1.28 ²					1.63 ²					1.81 ³		
	24													0.20 ¹					0.34 ²		
14	12			0.58 ¹	--	--			0.98 ²	--	--			1.28 ²	--	--			1.46 ²	--	--
	16								0.26 ¹					0.47 ¹					0.60 ¹		
	24																				
16	12				--	--			0.26 ¹	--	--			0.43 ¹	--	--			0.56 ¹	--	--
	16																				
	24																				

4"

50 psf Lateral Load

Wall Height (ft)	Stud Spacing (in.) o.c.	400SR162					400SR200					400SR250					400SR300				
		33 ksi		50 ksi			33 ksi		50 ksi			33 ksi		50 ksi			33 ksi		50 ksi		
		33	43	54	68	97	33	43	54	68	97	33	43	54	68	97	33	43	54	68	97
8	12	0.50 ⁴	1.39	3.36	--	--	0.85 ⁴	1.97	4.43	--	--	1.05	2.33	4.92	--	--	1.18	2.47	5.14	--	--
	16		0.77 ³	2.77 ⁴			0.21 ³	1.29 ⁴	3.76			0.38 ³	1.62	4.23			0.50 ⁴	1.76	4.46		
	24			1.69 ³					2.53 ³				0.32 ³	2.95 ⁴				0.44 ³	3.18 ⁴		
9	12		0.84 ³	2.70 ⁴	--	--	0.31 ³	1.34 ⁴	3.62	--	--	0.48 ³	1.67	4.13	--	--	0.60 ³	1.80	4.34	--	--
	16		0.15 ³	2.03 ³				0.57 ³	2.86 ³				0.86 ³	3.33 ⁴				0.98 ⁴	3.54 ⁴		
	24			0.83 ²					1.50 ³					1.88 ³					2.08 ³		
10	12		0.32 ³	2.05 ³	--	--		0.74 ³	2.83 ³	--	--		1.02 ³	3.33 ⁴	--	--		1.15 ³	3.52 ⁴	--	--
	16			1.33 ³					2.01 ³				0.14 ³	2.44 ³				0.25 ³	2.63 ³		
	24								0.58 ²					0.88 ²					1.06 ²		
12	12			0.92 ²	--	--			1.45 ²	--	--			1.83 ³	--	--			2.01 ³	--	--
	16			0.17 ¹					0.61 ²					0.88 ²					1.04 ²		
	24																				
14	12				--	--			0.44 ¹	--	--			0.66 ¹	--	--			0.81 ²	--	--
	16																				
	24																				
16	12				--	--				--	--				--	--				--	--
	16																				
	24																				

¹ Deflection meets L/120 ² Deflection meets L/240 ³ Deflection meets L/360 ⁴ Deflection meets L/600 *If no note, deflection meets L/720



STRUCTURAL FRAMING

6"

5 psf Lateral Load (Interior Walls Only)

Wall Height (ft)	Stud Spacing (in.) o.c.	600SR162					600SR200					600SR250					600SR300				
		33 ksi		50 ksi			33 ksi		50 ksi			33 ksi		50 ksi			33 ksi		50 ksi		
		33	43	54	68	97	33	43	54	68	97	33	43	54	68	97	33	43	54	68	97
8	12	2.37	3.57	6.31	8.71	11.7	2.97	4.43	7.84	11.0	15.8	3.16	4.74	8.37	11.8	18.6	3.26	4.91	8.64	12.2	20.0
	16	2.32	3.52	6.26	8.66	11.7	2.92	4.38	7.78	10.9	15.8	3.11	4.69	8.31	11.7	18.6	3.21	4.85	8.59	12.2	19.9
	24	2.23	3.42	6.16	8.56	11.6	2.81	4.27	7.67	10.8	15.7	3.01	4.58	8.20	11.6	18.5	3.11	4.75	8.48	12.0	19.8
9	12	2.33	3.53	6.26	8.66	11.7	2.92	4.38	7.78	10.9	15.6	3.12	4.69	8.32	11.7	18.3	3.22	4.86	8.59	12.2	19.6
	16	2.27	3.46	6.20	8.59	11.6	2.86	4.31	7.71	10.9	15.5	3.05	4.62	8.24	11.6	18.2	3.15	4.79	8.52	12.1	19.5
	24	2.15	3.34	6.07	8.46	11.5	2.73	4.18	7.57	10.7	15.4	2.92	4.48	8.10	11.5	18.1	3.02	4.65	8.38	11.9	19.4
10	12	2.28	3.47	6.21	8.60	11.6	2.87	4.33	7.72	10.9	15.3	3.07	4.64	8.25	11.7	17.9	3.17	4.80	8.53	12.1	19.2
	16	2.21	3.40	6.12	8.51	11.5	2.79	4.24	7.63	10.8	15.2	2.98	4.55	8.16	11.6	17.8	3.08	4.72	8.44	12.0	19.1
	24	2.06	3.24	5.96	8.34	11.4	2.62	4.06	7.44	10.6	15.1	2.82	4.37	7.98	11.4	17.7	2.92	4.54	8.26	11.8	18.9
12	12	2.17	3.35	6.05	8.23	11.4	2.74	4.18	7.54	10.3	14.6	2.94	4.49	8.08	11.4	17.0	3.04	4.66	8.37	11.7	18.1
	16	2.05	3.23	5.92	8.10	11.3	2.61	4.05	7.40	10.2	14.5	2.81	4.36	7.94	11.3	16.8	2.92	4.53	8.23	11.5	18.0
	24	1.84	2.99	5.67	7.83	11.0	2.37	3.79	7.11	9.88	14.2	2.57	4.10	7.65	10.9	16.6	2.68	4.28	7.95	11.2	17.7
14	12	2.02	3.17	5.83	7.71	11.0	2.57	3.99	7.28	9.54	13.6	2.77	4.30	7.84	10.6	15.7	2.88	4.48	8.14	10.9	16.9
	16	1.86	3.00	5.64	7.51	10.8	2.40	3.80	7.06	9.33	13.4	2.60	4.11	7.62	10.4	15.5	2.71	4.30	7.93	10.7	16.6
	24	1.57	2.68	5.27	7.14	10.4	2.07	3.44	6.64	8.94	13.0	2.27	3.75	7.20	9.92	15.1	2.38	3.94	7.52	10.3	16.2
16	12	1.83	2.95	5.42	7.01	10.1	2.36	3.73	6.63	8.59	12.4	2.56	4.05	7.13	9.61	14.3	2.67	4.25	7.42	10.0	15.4
	16	1.64	2.73	5.16	6.75	9.83	2.13	3.48	6.34	8.32	12.1	2.33	3.80	6.85	9.31	14.0	2.45	4.00	7.14	9.76	15.1
	24	1.27 ⁴	2.32	4.68	6.27	9.33	1.72	3.02	5.81	7.82	11.6	1.91	3.33	6.32	8.75	13.5	2.03	3.53	6.63	9.22	14.5

6"

15 psf Lateral Load

Wall Height (ft)	Stud Spacing (in.) o.c.	600SR162					600SR200					600SR250					600SR300				
		33 ksi		50 ksi			33 ksi		50 ksi			33 ksi		50 ksi			33 ksi		50 ksi		
		33	43	54	68	97	33	43	54	68	97	33	43	54	68	97	33	43	54	68	97
8	12	2.09	3.28	6.01	8.40	11.4	2.66	4.11	7.51	10.7	15.5	2.86	4.42	8.04	11.4	18.3	2.96	4.59	8.31	11.9	19.6
	16	1.96	3.13	5.87	8.25	11.3	2.51	3.96	7.35	10.5	15.4	2.71	4.26	7.88	11.3	18.1	2.81	4.43	8.15	11.7	19.4
	24	1.69	2.85	5.57	7.95	11.0	2.22	3.64	7.02	10.2	15.1	2.41	3.95	7.55	10.9	17.8	2.51	4.12	7.83	11.4	19.1
9	12	1.98	3.15	5.87	8.26	11.3	2.53	3.97	7.35	10.5	15.2	2.73	4.28	7.89	11.3	17.9	2.83	4.45	8.17	11.7	19.1
	16	1.80	2.97	5.68	8.06	11.1	2.34	3.77	7.14	10.3	15.0	2.53	4.08	7.67	11.0	17.7	2.64	4.25	7.96	11.5	18.9
	24	1.47	2.61	5.31	7.66	10.7	1.97	3.37	6.73	9.88	14.6	2.16	3.68	7.26	10.6	17.3	2.26	3.85	7.54	11.1	18.4
10	12	1.84	3.00	5.71	8.08	11.1	2.38	3.81	7.17	10.3	14.8	2.58	4.12	7.70	11.1	17.4	2.68	4.29	7.99	11.5	18.6
	16	1.63	2.78	5.47	7.82	10.9	2.15	3.56	6.90	10.1	14.6	2.34	3.86	7.43	10.8	17.1	2.44	4.04	7.72	11.2	18.3
	24	1.22	2.33	5.00	7.33	10.4	1.69	3.07	6.38	9.52	14.1	1.88	3.37	6.91	10.2	16.6	1.98	3.55	7.21	10.7	17.7
12	12	1.53	2.65	5.29	7.44	10.7	2.03	3.41	6.69	9.47	13.8	2.22	3.72	7.23	10.5	16.1	2.33	3.90	7.54	10.8	17.2
	16	1.23	2.33	4.94	7.07	10.3	1.70	3.05	6.29	9.07	13.5	1.88	3.36	6.83	10.0	15.7	1.99	3.54	7.14	10.4	16.8
	24	0.67	1.71	4.27	6.36	9.58	1.08	2.37	5.53	8.32	12.8	1.25	2.66	6.07	9.20	15.0	1.35	2.85	6.38	9.55	16.0
14	12	1.17	2.23	4.75	6.61	9.89	1.62	2.93	6.06	8.38	12.5	1.80	3.24	6.61	9.30	14.6	1.92	3.43	6.94	9.70	15.6
	16	0.79 ⁴	1.81	4.28	6.12	9.37	1.20	2.46	5.52	7.86	12.0	1.37	2.76	6.06	8.73	14.0	1.48	2.95	6.40	9.14	15.0
	24	0.11 ³	1.04 ⁴	3.41	5.22	8.41	0.43 ³	1.60 ⁴	4.53	6.90	11.1	0.57 ⁴	1.87	5.05	7.66	13.0	0.67 ⁴	2.05	5.39	8.09	13.9
16	12	0.78 ⁴	1.76	4.05	5.63	8.63	1.17	2.39	5.10	7.14	11.0	1.35	2.69	5.60	7.99	12.7	1.46	2.89	5.92	8.48	13.7
	16	0.34 ³	1.26 ⁴	3.48	5.05	8.00	0.68 ³	1.82 ⁴	4.47	6.53	10.4	0.83 ⁴	2.10	4.95	7.31	12.1	0.93 ⁴	2.29	5.27	7.79	13.0
	24		0.37 ³	2.48 ³	4.02 ⁴	6.87		0.82 ³	3.36 ³	5.44	9.24		1.06 ³	3.81 ⁴	6.08	10.8		1.23 ³	4.11 ⁴	6.56	11.7

6"

20 psf Lateral Load

Wall Height (ft)	Stud Spacing (in.) o.c.	600SR162					600SR200					600SR250					600SR300				
		33 ksi		50 ksi			33 ksi		50 ksi			33 ksi		50 ksi			33 ksi		50 ksi		
		33	43	54	68	97	33	43	54	68	97	33	43	54	68	97	33	43	54	68	97
8	12	1.96	3.13	5.87	8.25	11.3	2.51	3.96	7.35	10.5	15.4	2.71	4.26	7.88	11.3	18.1	2.81	4.43	8.15	11.7	19.4
	16	1.78	2.94	5.67	8.05	11.1	2.32	3.75	7.13	10.3	15.2	2.51	4.05	7.66	11.0	17.9	2.61	4.22	7.94	11.5	19.2
	24	1.43	2.57	5.29	7.65	10.7	1.93	3.34	6.71	9.9	14.8	2.11	3.64	7.23	10.6	17.5	2.22	3.81	7.52	11.0	18.7
9	12	1.80	2.97	5.68	8.06	11.1	2.34	3.77	7.14	10.3	15.0	2.53	4.08	7.67	11.0	17.7	2.64	4.25	7.96	11.5	18.9
	16	1.58	2.73	5.43	7.79	10.8	2.09	3.50	6.86	10.0	14.8	2.28	3.81	7.39	10.7	17.4	2.39	3.98	7.68	11.2	18.6
	24	1.14	2.25	4.94	7.28	10.4	1.61	2.99	6.32	9.47	14.3	1.79	3.28	6.84	10.2	16.8	1.89	3.46	7.14	10.6	18.0
10	12	1.63	2.78	5.47	7.82	10.9	2.15	3.56	6.90	10.1	14.6	2.34	3.86	7.43	10.8	17.1	2.44	4.04	7.72	11.2	18.3
	16	1.35	2.48	5.16	7.49	10.6	1.84	3.23	6.55	9.69	14.3	2.03	3.53	7.08	10.4	16.8	2.13	3.71	7.38	10.9	17.9
	24	0.82	1.90	4.55	6.85	9.94	1.26	2.60	5.87	9.00	13.6	1.43	2.89	6.40	9.66	16.1	1.54	3.07	6.70	10.1	17.2
12	12	1.23	2.33	4.94	7.07	10.3	1.70	3.05	6.29	9.07	13.5	1.88	3.36	6.83	10.0	15.7	1.99	3.54	7.14	10.4	16.8
	16	0.86	1.91	4.48	6.59	9.82	1.28	2.59	5.78	8.56	13.0	1.45	2.89	6.32	9.48	15.2	1.56	3.07	6.63	9.82	16.2
	24	0.16 ³	1.13	3.63	5.69	8.90	0.50 ⁴	1.73	4.83	7.60	12.1	0.65 ⁴	2.00	5.34	8.41	14.2	0.75	2.19	5.66	8.78	15.2
14	12	0.79 ⁴	1.81	4.28	6.12	9.37	1.20	2.46	5.52	7.86	12.0	1									

6"

25 psf Lateral Load

Wall Height (ft)	Stud Spacing (in.) o.c.	600SR162					600SR200					600SR250					600SR300				
		33 ksi		50 ksi			33 ksi		50 ksi			33 ksi		50 ksi			33 ksi		50 ksi		
		33	43	54	68	97	33	43	54	68	97	33	43	54	68	97	33	43	54	68	97
8	12	1.82	2.99	5.72	8.10	11.1	2.37	3.80	7.18	10.4	15.2	2.56	4.10	7.71	11.1	18.0	2.66	4.27	7.99	11.5	19.3
	16	1.60	2.76	5.48	7.85	10.9	2.12	3.54	6.92	10.1	15.0	2.31	3.84	7.44	10.8	17.7	2.41	4.02	7.73	11.3	19.0
	24	1.17	2.29	5.00	7.35	10.4	1.64	3.03	6.39	9.56	14.5	1.82	3.33	6.91	10.2	17.2	1.93	3.51	7.20	10.7	18.4
9	12	1.63	2.79	5.50	7.86	10.9	2.15	3.57	6.93	10.1	14.8	2.34	3.87	7.46	10.8	17.5	2.45	4.05	7.75	11.3	18.7
	16	1.36	2.49	5.19	7.53	10.6	1.85	3.24	6.59	9.74	14.5	2.03	3.54	7.12	10.4	17.1	2.14	3.72	7.41	10.9	18.3
	24	0.82	1.91	4.58	6.90	9.99	1.25	2.61	5.92	9.07	13.9	1.43	2.90	6.44	9.72	16.4	1.53	3.08	6.74	10.2	17.5
10	12	1.42	2.55	5.23	7.57	10.6	1.92	3.31	6.64	9.78	14.3	2.10	3.61	7.17	10.5	16.9	2.21	3.79	7.46	11.0	18.0
	16	1.09	2.19	4.85	7.17	10.2	1.55	2.91	6.21	9.34	13.9	1.72	3.21	6.74	10.0	16.4	1.83	3.39	7.04	10.5	17.5
	24	0.44	1.49	4.11	6.38	9.49	0.83	2.14	5.38	8.50	13.2	1.00	2.42	5.90	9.12	15.6	1.10	2.60	6.20	9.60	16.6
12	12	0.95	2.01	4.60	6.71	9.93	1.38	2.70	5.91	8.69	13.1	1.56	3.00	6.44	9.62	15.3	1.67	3.19	6.76	9.95	16.4
	16	0.50 ⁴	1.51	4.05	6.13	9.35	0.88	2.15	5.29	8.07	12.5	1.04	2.44	5.82	8.94	14.7	1.15	2.62	6.14	9.29	15.7
	24		0.59 ³	3.04 ⁴	5.06	8.25		1.12 ⁴	4.16	6.92	11.4		1.38	4.66	7.65	13.5		0.18 ⁴	1.56	4.97	8.04
14	12	0.44 ³	1.41	3.83	5.66	8.88	0.80 ⁴	2.02	5.01	7.37	11.5	0.96	2.30	5.54	8.18	13.5	1.07	2.49	5.88	8.60	14.4
	16		0.80 ³	3.14 ⁴	4.93	8.11	0.19 ³	1.33 ⁴	4.23	6.60	10.8	0.33 ³	1.59	4.74	7.32	12.6	0.42 ³	1.77	5.07	7.76	13.5
	24			1.91 ³	3.64 ³	6.70		0.10 ³	2.84 ³	5.22 ⁴	9.41		0.31 ³	3.29 ³	5.78	11.1		0.46 ³	3.60 ⁴	6.22	11.9
16	12		0.80 ³	2.96 ⁴	4.52	7.42	0.23 ³	1.31 ³	3.89 ⁴	5.96	9.78	0.36 ³	1.56 ⁴	4.36	6.67	11.4	0.45 ³	1.74 ⁴	4.67	7.16	12.3
	16		0.10 ³	2.18 ³	3.71 ³	6.53		0.52 ³	3.03 ³	5.11 ⁴	8.90		0.74 ³	3.46 ³	5.70	10.5		0.90 ³	3.76 ⁴	6.18	11.3
	24			0.83 ²	2.31 ³	4.96 ³			1.53 ²	3.61 ³	7.35 ³			1.88 ³	4.01 ³	8.72 ⁴			2.14 ³	4.44 ³	9.36

6"

30 psf Lateral Load

Wall Height (ft)	Stud Spacing (in.) o.c.	600SR162					600SR200					600SR250					600SR300				
		33 ksi		50 ksi			33 ksi		50 ksi			33 ksi		50 ksi			33 ksi		50 ksi		
		33	43	54	68	97	33	43	54	68	97	33	43	54	68	97	33	43	54	68	97
8	12	1.69	2.85	5.57	7.95	11.0	2.22	3.64	7.02	10.2	15.1	2.41	3.95	7.55	10.9	17.8	2.51	4.12	7.83	11.4	19.1
	16	1.43	2.57	5.29	7.65	10.7	1.93	3.34	6.71	9.87	14.8	2.11	3.64	7.23	10.6	17.5	2.22	3.81	7.52	11.0	18.7
	24	0.91	2.02	4.72	7.06	10.2	1.36	2.73	6.08	9.25	14.2	1.54	3.03	6.60	9.91	16.9	1.64	3.20	6.89	10.4	18.0
9	12	1.47	2.61	5.31	7.66	10.7	1.97	3.37	6.73	9.88	14.6	2.16	3.68	7.26	10.6	17.3	2.26	3.85	7.54	11.1	18.4
	16	1.14	2.25	4.94	7.28	10.4	1.61	2.99	6.32	9.47	14.3	1.79	3.28	6.84	10.2	16.8	1.89	3.46	7.14	10.6	18.0
	24	0.50	1.57	4.23	6.53	9.64	0.91	2.23	5.53	8.68	13.5	1.07	2.52	6.04	9.30	16.0	1.18	2.70	6.34	9.77	17.1
10	12	1.22	2.33	5.00	7.33	10.4	1.69	3.07	6.38	9.52	14.1	1.88	3.37	6.91	10.2	16.6	1.98	3.55	7.21	10.7	17.7
	16	0.82	1.90	4.55	6.85	9.94	1.26	2.60	5.87	9.00	13.6	1.43	2.89	6.40	9.66	16.1	1.54	3.07	6.70	10.1	17.2
	24		1.09	3.68	5.92	9.05	0.43	1.69	4.91	8.02	12.7	0.58	1.97	5.41	8.60	15.1	0.68	2.15	5.72	9.08	16.1
12	12	0.67	1.71	4.27	6.36	9.58	1.08	2.37	5.53	8.32	12.8	1.25	2.66	6.07	9.20	15.0	1.35	2.85	6.38	9.55	16.0
	16	0.16 ³	1.13	3.63	5.69	8.90	0.50 ⁴	1.73	4.83	7.60	12.1	0.65 ⁴	2.00	5.34	8.41	14.2	0.75	2.19	5.66	8.78	15.2
	24			2.48 ³	4.45	7.63		0.55 ³	3.52 ⁴	6.28	10.8		0.79 ⁴	4.00	6.93	12.8		0.95 ⁴	4.31	7.33	13.6
14	12	0.11 ³	1.04 ⁴	3.41	5.22	8.41	0.43 ³	1.60 ⁴	4.53	6.90	11.1	0.57 ⁴	1.87	5.05	7.66	13.0	0.67 ⁴	2.05	5.39	8.09	13.9
	16		0.34 ³	2.63 ³	4.40 ⁴	7.52		0.82 ³	3.65 ⁴	6.03	10.2		1.06 ⁴	4.14	6.68	12.0		1.23 ⁴	4.46	7.12	12.9
	24			1.25 ³	2.94 ³	5.93 ⁴			2.09 ³	4.47 ³	8.65			2.50 ³	4.93 ⁴	10.3			2.80 ³	5.36 ⁴	10.9
16	12		0.37 ³	2.48 ³	4.02 ⁴	6.87		0.82 ³	3.36 ³	5.44	9.24		1.06 ³	3.81 ⁴	6.08	10.8		1.23 ³	4.11 ⁴	6.56	11.7
	16			1.61 ³	3.12 ³	5.87 ⁴			2.40 ³	4.48 ³	8.25		0.14 ³	2.80 ³	4.99 ⁴	9.73		0.28 ³	3.08 ³	5.45 ⁴	10.5
	24			0.12 ²	1.56 ²	4.12 ³			0.73 ²	2.81 ³	6.52 ³			1.05 ²	3.10 ³	7.79 ³			1.27 ²	3.51 ³	8.33 ⁴

6"

35 psf Lateral Load

Wall Height (ft)	Stud Spacing (in.) o.c.	600SR162					600SR200					600SR250					600SR300				
		33 ksi		50 ksi			33 ksi		50 ksi			33 ksi		50 ksi			33 ksi		50 ksi		
		33	43	54	68	97	33	43	54	68	97	33	43	54	68	97	33	43	54	68	97
8	12	1.56	2.71	5.43	7.80	10.8	2.07	3.49	6.86	10.0	14.9	2.26	3.79	7.39	10.7	17.7	2.36	3.96	7.67	11.2	18.9
	16	1.25	2.38	5.10	7.45	10.5	1.74	3.13	6.50	9.66	14.6	1.92	3.43	7.02	10.4	17.3	2.02	3.61	7.31	10.8	18.5
	24	0.66	1.75	4.45	6.77	9.9	1.08	2.44	5.78	8.95	13.9	1.25	2.73	6.29	9.58	16.5	1.36	2.90	6.58	10.0	17.7
9	12	1.30	2.43	5.12	7.47	10.5	1.79	3.18	6.52	9.68	14.4	1.97	3.48	7.05	10.4	17.0	2.08	3.66	7.34	10.8	18.2
	16	0.92	2.02	4.70	7.02	10.1	1.37	2.73	6.05	9.21	14.0	1.55	3.03	6.57	9.86	16.6	1.65	3.21	6.87	10.3	17.7
	24	0.20	1.24	3.88	6.16	9.29	0.57	1.87	5.14	8.29	13.2	0.73	2.15	5.65	8.88	15.6	0.83	2.33	5.95	9.36	16.7
10	12	1.02	2.12	4.77	7.09	10.2	1.47	2.83	6.12	9.26	13.9	1.65	3.13	6.65	9.93	16.3	1.76	3.31	6.95	10.4	17.4
	16	0.57	1.63	4.25	6.53	9.64	0.97	2.29	5.54	8.67	13.3	1.14	2.58	6.06	9.30	15.7	1.24	2.76	6.37	9.78	16.8
	24		0.70 ⁴	3.27	5.48	8.61		1.26	4.44	7.54	12.3	0.17 ⁴	1.53	4.94	8.08	14.6	0.27	1.70	5.25	8.57	15.5
12	12	0.41 ⁴	1.42	3.95	6.02	9.24	0.78	2.04	5.17	7.95	12.4	0.94	2.33	5.70	8.80	14.6	1.05	2.51	6.02	9.16	15.6
	16		0.77 ⁴	3.23	5.27	8.47	0.13 ³	1.32	4.38	7.15	11.7	0.27 ⁴	1.58	4.88	7.90	13.7	0.37 ⁴	1.76	5.20	8.28	14.6

6"

40 psf Lateral Load

Wall Height (ft)	Stud Spacing (in.) o.c.	600SR162					600SR200					600SR250					600SR300				
		33 ksi		50 ksi			33 ksi		50 ksi			33 ksi		50 ksi			33 ksi		50 ksi		
		33	43	54	68	97	33	43	54	68	97	33	43	54	68	97	33	43	54	68	97
8	12	1.43	2.57	5.29	7.65	10.7	1.93	3.34	6.71	9.87	14.8	2.11	3.64	7.23	10.6	17.5	2.22	3.81	7.52	11.0	18.7
	16	1.08	2.20	4.91	7.25	10.3	1.55	2.93	6.29	9.46	14.4	1.73	3.23	6.81	10.1	17.1	1.83	3.40	7.10	10.6	18.3
	24	0.41	1.49	4.17	6.48	9.60	0.81	2.15	5.47	8.64	13.7	0.97	2.43	5.98	9.25	16.2	1.08	2.61	6.28	9.72	17.3
9	12	1.14	2.25	4.94	7.28	10.4	1.61	2.99	6.32	9.47	14.3	1.79	3.28	6.84	10.2	16.8	1.89	3.46	7.14	10.6	18.0
	16	0.71	1.79	4.46	6.77	9.88	1.14	2.48	5.79	8.94	13.8	1.31	2.77	6.31	9.58	16.3	1.41	2.95	6.60	10.1	17.4
	24		0.92	3.54	5.80	8.94	0.24	1.51	4.77	7.91	12.8	0.39	1.79	5.27	8.47	15.2	0.49	1.96	5.57	8.95	16.2
10	12	0.82	1.90	4.55	6.85	9.94	1.26	2.60	5.87	9.00	13.6	1.43	2.89	6.40	9.66	16.1	1.54	3.07	6.70	10.1	17.2
	16	0.32	1.35	3.97	6.23	9.34	0.70	1.99	5.22	8.34	13.0	0.86	2.27	5.74	8.94	15.4	0.96	2.45	6.04	9.43	16.4
	24		0.32 ⁴	2.86	5.04	8.19		0.84	3.99	7.07	11.9		1.09	4.48	7.58	14.1		1.27	4.78	8.07	15.0
12	12	0.16 ³	1.13	3.63	5.69	8.90	0.50 ⁴	1.73	4.83	7.60	12.1	0.65 ⁴	2.00	5.34	8.41	14.2	0.75	2.19	5.66	8.78	15.2
	16		0.42 ³	2.85 ⁴	4.85	8.04		0.93 ⁴	3.94	6.70	11.2		1.18	4.43	7.41	13.2		1.35	4.75	7.80	14.1
	24		1.42 ³	3.32 ³	6.45			2.33 ³	5.06 ⁴	9.62			2.77 ³	5.57	11.5			1.31 ³	3.06 ⁴	5.98	12.2
14	12		0.34 ³	2.63 ³	4.40 ⁴	7.52		0.82 ³	3.65 ⁴	6.03	10.22		1.06 ⁴	4.14	6.68	12.0		1.23 ⁴	4.46	7.12	12.9
	16		1.68 ³	3.40 ³	6.44 ⁴			2.58 ³	4.96 ⁴	9.16			3.02 ³	5.49 ⁴	10.8		0.21 ³	3.33 ³	5.93	11.6	
	24		1.65 ²	4.51 ³				0.72 ²	3.08 ³	7.24 ³			1.06 ³	3.38 ³	8.68 ⁴			1.31 ³	3.78 ³	9.22	
16	12			1.61 ³	3.12 ³	5.87 ⁴			2.40 ³	4.48 ³	8.25		0.14 ³	2.80 ³	4.99 ⁴	9.73		0.28 ³	3.08 ³	5.45 ⁴	10.5
	16			0.59 ²	2.05 ²	4.67 ³			1.26 ²	3.34 ³	7.07 ³			1.60 ³	3.70 ³	8.40 ⁴			1.85 ³	4.12 ³	9.01
	24			0.21 ¹	2.60 ²				1.37 ²	5.00 ³				1.47 ²	6.09 ³			1.81 ²	6.45 ³		

6"

50 psf Lateral Load

Wall Height (ft)	Stud Spacing (in.) o.c.	600SR162					600SR200					600SR250					600SR300				
		33 ksi		50 ksi			33 ksi		50 ksi			33 ksi		50 ksi			33 ksi		50 ksi		
		33	43	54	68	97	33	43	54	68	97	33	43	54	68	97	33	43	54	68	97
8	12	1.17	2.29	5.00	7.35	10.4	1.64	3.03	6.39	9.56	14.5	1.82	3.33	6.91	10.2	17.2	1.93	3.51	7.20	10.7	18.4
	16	0.74	1.84	4.54	6.87	9.97	1.18	2.54	5.88	9.05	14.0	1.35	2.83	6.39	9.69	16.6	1.45	3.00	6.68	10.2	17.8
	24		0.96	3.63	5.92	9.07	0.28	1.57	4.88	8.05	13.1	0.43	1.85	5.38	8.61	15.6	0.53	2.03	5.67	9.08	16.7
9	12	0.82	1.91	4.58	6.90	9.99	1.25	2.61	5.92	9.07	13.9	1.43	2.90	6.44	9.72	16.4	1.53	3.08	6.74	10.2	17.5
	16	0.30	1.35	4.00	6.28	9.41	0.68	1.99	5.27	8.42	13.3	0.84	2.27	5.78	9.02	15.8	0.94	2.45	6.08	9.49	16.8
	24		0.29 ⁴	2.88	5.10	8.26		0.82	4.03	7.16	12.1		1.07	4.52	7.66	14.4		1.25	4.81	8.14	15.4
10	12	0.44	1.49	4.11	6.38	9.49	0.83	2.14	5.38	8.50	13.2	1.00	2.42	5.90	9.12	15.6	1.10	2.60	6.20	9.60	16.6
	16		0.83	3.40	5.63	8.76	0.16 ⁴	1.40	4.60	7.70	12.4	0.30	1.67	5.10	8.25	14.7	0.40	1.85	5.40	8.74	15.7
	24		2.08 ⁴	4.20	7.36			3.12	6.17	11.0			0.26 ⁴	3.58	6.61	13.1		0.42	3.88	7.10	13.9
12	12		0.59 ³	3.04 ⁴	5.06	8.25		1.12 ⁴	4.16	6.92	11.4		1.38	4.66	7.65	13.5	0.18 ⁴	1.56	4.97	8.04	14.4
	16		2.11 ³	4.07 ⁴	7.23		0.18 ³	3.11 ⁴	5.86	10.4		0.40 ³	3.58 ⁴	6.47	12.3		0.56 ⁴	3.89	6.87	13.1	
	24		0.45 ²	2.27 ³	5.34 ⁴			1.24 ³	3.93 ³	8.50 ⁴			1.62 ³	4.30 ³	10.2			1.90 ³	4.71 ⁴	10.8	
14	12		1.91 ³	3.64 ³	6.70		0.10 ³	2.84 ³	5.22 ⁴	9.41		0.31 ³	3.29 ³	5.78	11.1		0.46 ³	3.60 ⁴	6.22	11.9	
	16		0.83 ²	2.49 ³	5.44 ³			1.61 ³	3.99 ³	8.17 ⁴			2.00 ³	4.39 ³	9.72			2.28 ³	4.82 ⁴	10.4	
	24		0.49 ²	3.21 ³				1.83 ²	5.94 ³				1.96 ³	7.23 ³				2.34 ³	7.62 ³		
16	12		0.83 ²	2.31 ³	4.96 ³			1.53 ²	3.61 ³	7.35 ³			1.88 ³	4.01 ³	8.72 ⁴			2.14 ³	4.44 ³	9.36	
	16			1.09 ²	3.59 ³			0.24 ²	2.31 ²	5.99 ³			0.52 ²	2.54 ³	7.20 ³			0.73 ²	2.92 ³	7.68 ³	
	24			1.24 ²					3.63 ²					4.56 ²				0.29 ²	4.76 ³		

¹ Deflection meets L/120 ² Deflection meets L/240 ³ Deflection meets L/360 ⁴ Deflection meets L/600 *If no note, deflection meets L/720



8"

5 psf Lateral Load (Interior Walls Only)

Wall Height (ft)	Stud Spacing (in.) o.c.	800SR162				800SR200				800SR250				800SR300			
		33 ksi		50 ksi		33 ksi		50 ksi		33 ksi		50 ksi		33 ksi		50 ksi	
		43	54	68	97	43	54	68	97	43	54	68	97	43	54	68	97
8	12	3.04	5.30	7.54	12.8	3.72	6.49	9.18	15.4	3.81	6.66	9.43	15.9	4.10	7.16	10.2	17.2
	16	3.02	5.27	7.51	12.8	3.69	6.46	9.15	15.4	3.78	6.63	9.40	15.8	4.07	7.13	10.1	17.2
	24	2.96	5.22	7.45	12.7	3.63	6.40	9.08	15.3	3.72	6.57	9.33	15.8	4.01	7.06	10.1	17.1
9	12	3.02	5.28	7.51	12.8	3.70	6.47	9.15	15.4	3.79	6.63	9.40	15.9	4.08	7.13	10.1	17.2
	16	2.98	5.24	7.48	12.7	3.66	6.43	9.11	15.3	3.75	6.59	9.36	15.8	4.03	7.09	10.1	17.1
	24	2.91	5.17	7.41	12.6	3.58	6.34	9.02	15.2	3.67	6.51	9.28	15.7	3.95	7.01	10.0	17.1
10	12	2.99	5.25	7.49	12.7	3.67	6.43	9.12	15.3	3.76	6.60	9.37	15.8	4.04	7.10	10.1	17.2
	16	2.95	5.21	7.44	12.7	3.62	6.38	9.06	15.3	3.71	6.55	9.32	15.8	3.99	7.05	10.1	17.1
	24	2.86	5.12	7.35	12.6	3.52	6.28	8.96	15.1	3.62	6.45	9.21	15.6	3.90	6.95	9.94	17.0
12	12	2.93	5.18	7.42	12.7	3.59	6.36	9.04	15.2	3.69	6.53	9.29	15.7	3.97	7.02	10.0	17.1
	16	2.86	5.12	7.35	12.6	3.52	6.28	8.96	15.1	3.62	6.45	9.21	15.6	3.90	6.95	9.94	17.0
	24	2.73	4.99	7.22	12.4	3.37	6.13	8.80	15.0	3.47	6.31	9.06	15.5	3.75	6.80	9.78	16.8
14	12	2.85	5.10	7.33	12.6	3.50	6.26	8.93	15.1	3.60	6.43	9.19	15.6	3.88	6.93	9.92	16.9
	16	2.76	5.01	7.24	12.5	3.40	6.15	8.82	15.0	3.50	6.33	9.08	15.5	3.78	6.82	9.80	16.8
	24	2.58	4.83	7.05	12.3	3.19	5.94	8.59	14.7	3.30	6.12	8.86	15.2	3.57	6.61	9.58	16.6
16	12	2.76	5.00	7.22	12.4	3.39	6.14	8.79	14.9	3.49	6.31	9.06	15.5	3.77	6.81	9.78	16.8
	16	2.64	4.88	7.09	12.3	3.25	5.99	8.64	14.8	3.36	6.17	8.90	15.3	3.63	6.66	9.63	16.6
	24	2.40	4.63	6.83	12.0	2.98	5.71	8.33	14.4	3.10	5.89	8.60	14.9	3.36	6.37	9.32	16.3

8"

15 psf Lateral Load

Wall Height (ft)	Stud Spacing (in.) o.c.	800SR162				800SR200				800SR250				800SR300			
		33 ksi		50 ksi		33 ksi		50 ksi		33 ksi		50 ksi		33 ksi		50 ksi	
		43	54	68	97	43	54	68	97	43	54	68	97	43	54	68	97
8	12	2.88	5.13	7.37	12.6	3.53	6.30	8.98	15.2	3.63	6.47	9.24	15.7	3.91	6.97	10.0	17.0
	16	2.79	5.05	7.29	12.5	3.44	6.21	8.88	15.1	3.54	6.38	9.14	15.6	3.82	6.87	9.87	16.9
	24	2.62	4.89	7.12	12.4	3.25	6.02	8.69	14.9	3.36	6.20	8.95	15.4	3.63	6.68	9.67	16.7
9	12	2.81	5.07	7.30	12.5	3.46	6.22	8.90	15.1	3.55	6.40	9.16	15.6	3.83	6.89	9.88	16.9
	16	2.70	4.96	7.19	12.4	3.33	6.10	8.77	15.0	3.44	6.28	9.03	15.5	3.71	6.77	9.76	16.8
	24	2.49	4.75	6.98	12.2	3.09	5.86	8.52	14.7	3.20	6.05	8.79	15.2	3.47	6.52	9.50	16.5
10	12	2.73	4.99	7.22	12.4	3.36	6.13	8.80	15.0	3.47	6.31	9.06	15.5	3.74	6.80	9.78	16.8
	16	2.59	4.86	7.08	12.3	3.21	5.98	8.64	14.8	3.32	6.16	8.91	15.3	3.59	6.64	9.63	16.6
	24	2.33	4.60	6.81	12.0	2.92	5.68	8.33	14.5	3.03	5.87	8.61	15.0	3.29	6.34	9.31	16.3
12	12	2.54	4.80	7.02	12.2	3.15	5.91	8.56	14.7	3.26	6.09	8.83	15.2	3.53	6.57	9.55	16.5
	16	2.35	4.60	6.82	12.0	2.93	5.69	8.33	14.5	3.05	5.88	8.60	15.0	3.31	6.35	9.31	16.3
	24	1.97	4.22	6.42	11.6	2.50	5.25	7.86	13.9	2.63	5.45	8.15	14.5	2.88	5.91	8.85	15.8
14	12	2.32	4.56	6.76	11.9	2.89	5.63	8.26	14.4	3.01	5.82	8.54	14.9	3.27	6.29	9.24	16.2
	16	2.05	4.29	6.48	11.6	2.59	5.32	7.93	14.0	2.72	5.52	8.22	14.5	2.97	5.98	8.91	15.8
	24	1.55	3.78	5.94	11.1	2.02	4.72	7.29	13.3	2.16	4.94	7.59	13.8	2.39	5.38	8.27	15.1
16	12	2.05	4.27	6.45	11.6	2.59	5.29	7.87	13.9	2.71	5.49	8.16	14.4	2.96	5.95	8.86	15.7
	16	1.72	3.92	6.08	11.2	2.20	4.88	7.43	13.4	2.34	5.09	7.74	14.0	2.58	5.54	8.42	15.2
	24	1.07	3.25	5.36	10.4	1.47	4.11	6.59	12.4	1.63	4.33	6.91	13.0	1.83	4.75	7.57	14.3

8"

20 psf Lateral Load

Wall Height (ft)	Stud Spacing (in.) o.c.	800SR162				800SR200				800SR250				800SR300			
		33 ksi		50 ksi		33 ksi		50 ksi		33 ksi		50 ksi		33 ksi		50 ksi	
		43	54	68	97	43	54	68	97	43	54	68	97	43	54	68	97
8	12	2.79	5.05	7.29	12.5	3.44	6.21	8.88	15.1	3.54	6.38	9.14	15.6	3.82	6.87	9.87	16.9
	16	2.68	4.94	7.17	12.4	3.31	6.09	8.75	14.9	3.42	6.26	9.02	15.4	3.69	6.75	9.74	16.8
	24	2.46	4.73	6.95	12.2	3.06	5.84	8.49	14.7	3.17	6.02	8.76	15.2	3.44	6.50	9.48	16.5
9	12	2.70	4.96	7.19	12.4	3.33	6.10	8.77	15.0	3.44	6.28	9.03	15.5	3.71	6.77	9.76	16.8
	16	2.56	4.82	7.05	12.3	3.17	5.94	8.61	14.8	3.28	6.12	8.87	15.3	3.55	6.61	9.59	16.6
	24	2.27	4.54	6.76	12.0	2.85	5.63	8.27	14.4	2.97	5.81	8.55	14.9	3.23	6.28	9.25	16.3
10	12	2.59	4.86	7.08	12.3	3.21	5.98	8.64	14.8	3.32	6.16	8.91	15.3	3.59	6.64	9.63	16.6
	16	2.42	4.68	6.90	12.1	3.02	5.78	8.43	14.6	3.13	5.97	8.71	15.1	3.39	6.44	9.42	16.4
	24	2.07	4.34	6.55	11.7	2.62	5.39	8.02	14.1	2.75	5.58	8.30	14.7	3.00	6.04	9.00	16.0
12	12	2.35	4.60	6.82	12.0	2.93	5.69	8.33	14.5	3.05	5.88	8.60	15.0	3.31	6.35	9.31	16.3
	16	2.10	4.35	6.55	11.7	2.65	5.40	8.02	14.1	2.77	5.59	8.30	14.7	3.02	6.05	9.00	16.0
	24	1.60	3.85	6.03	11.2	2.08	4.82	7.41	13.4	2.22	5.03	7.71	14.0	2.45	5.47	8.39	15.3
14	12	2.05	4.29	6.48	11.6	2.59	5.32	7.93	14.0	2.72	5.52	8.22	14.5	2.97	5.98	8.91	15.8
	16	1.71	3.95	6.12	11.2	2.21	4.92	7.50	13.5	2.34	5.13	7.80	14.1	2.58	5.58	8.48	15.4
	24	1.05	3.27	5.41	10.5	1.46	4.14	6.66	12.6	1.62	4.37	6.98	13.2	1.82	4.79	7.64	14.4
16	12	1.72	3.92	6.08	11.2	2.20	4.88	7.43	13.4	2.34	5.09	7.74	14.0	2.58	5.54	8.42	15.2
	16	1.28	3.47	5.60	10.6	1.71	4.36	6.87	12.7	1.86	4.58	7.18	13.3	2.08	5.01	7.85	14.6
	24	0.46 ³	2.61	4.68	9.60	0.78 ⁴	3.37	5.79	11.5	0.95	3.61	6.13	12.1	1.13	4.00	6.75	13.3

¹ Deflection meets L/120 ² Deflection meets L/240 ³ Deflection meets L/360 ⁴ Deflection meets L/600 *If no note, deflection meets L/720

For more information, please contact MarinoWARE® Technical Services at 866-545-1545.

This technical information reflects the most current information available and supersedes any and all previous publications effective May 22, 2023 | MW StudRite Technical Catalog | © WARE Industries, Inc. 2023

8"

25 psf Lateral Load

Wall Height (ft)	Stud Spacing (in.) o.c.	800S162				800S200				800S250				800S300			
		33 ksi		50 ksi		33 ksi		50 ksi		33 ksi		50 ksi		33 ksi		50 ksi	
		43	54	68	97	43	54	68	97	43	54	68	97	43	54	68	97
8	12	2.71	4.97	7.20	12.4	3.34	6.12	8.79	15.0	3.45	6.29	9.05	15.5	3.72	6.78	9.77	16.8
	16	2.57	4.83	7.06	12.3	3.19	5.96	8.62	14.8	3.29	6.14	8.89	15.3	3.56	6.62	9.61	16.6
	24	2.29	4.56	6.78	12.0	2.87	5.65	8.30	14.5	2.99	5.84	8.58	15.0	3.25	6.31	9.28	16.3
9	12	2.59	4.86	7.08	12.3	3.21	5.98	8.65	14.8	3.32	6.16	8.91	15.3	3.59	6.65	9.63	16.7
	16	2.42	4.68	6.90	12.1	3.01	5.79	8.44	14.6	3.13	5.97	8.71	15.1	3.39	6.44	9.42	16.4
	24	2.06	4.34	6.55	11.8	2.62	5.39	8.02	14.1	2.74	5.58	8.31	14.7	2.99	6.05	9.01	16.0
10	12	2.46	4.73	6.95	12.2	3.07	5.83	8.49	14.6	3.18	6.02	8.76	15.2	3.44	6.49	9.47	16.5
	16	2.24	4.51	6.72	11.9	2.82	5.58	8.23	14.4	2.94	5.77	8.50	14.9	3.19	6.24	9.21	16.2
	24	1.81	4.08	6.28	11.5	2.33	5.09	7.71	13.8	2.46	5.30	8.00	14.3	2.70	5.75	8.69	15.6
12	12	2.16	4.41	6.62	11.8	2.72	5.47	8.10	14.2	2.84	5.66	8.38	14.7	3.09	6.13	9.08	16.0
	16	1.84	4.10	6.29	11.5	2.36	5.11	7.71	13.8	2.50	5.31	8.01	14.3	2.74	5.76	8.69	15.6
	24	1.23	3.48	5.65	10.8	1.67	4.40	6.96	12.9	1.82	4.62	7.28	13.5	2.04	5.04	7.94	14.8
14	12	1.80	4.03	6.21	11.3	2.30	5.02	7.60	13.6	2.44	5.23	7.90	14.2	2.68	5.68	8.59	15.5
	16	1.38	3.61	5.76	10.9	1.83	4.53	7.08	13.0	1.98	4.74	7.39	13.6	2.20	5.18	8.06	14.9
	24	0.58 ⁴	2.78	4.89	9.90	0.92	3.58	6.05	11.9	1.09	3.82	6.39	12.5	1.27	4.21	7.02	13.7
16	12	1.39	3.58	5.72	10.8	1.83	4.49	7.01	12.9	1.98	4.71	7.32	13.5	2.20	5.14	7.99	14.8
	16	0.86 ⁴	3.04	5.13	10.1	1.24	3.86	6.32	12.1	1.40	4.09	6.65	12.7	1.59	4.49	7.29	14.0
	24		2.00 ³	4.02	8.86	0.12 ³	2.67 ⁴	5.02	10.6	0.31 ⁴	2.92	5.38	11.2	0.45 ⁴	3.27	5.96	12.4

8"

30 psf Lateral Load

Wall Height (ft)	Stud Spacing (in.) o.c.	800SR162				800SR200				800SR250				800SR300			
		33 ksi		50 ksi		33 ksi		50 ksi		33 ksi		50 ksi		33 ksi		50 ksi	
		43	54	68	97	43	54	68	97	43	54	68	97	43	54	68	97
8	12	2.62	4.89	7.12	12.4	3.25	6.02	8.69	14.9	3.36	6.20	8.95	15.4	3.63	6.68	9.67	16.7
	16	2.46	4.73	6.95	12.2	3.06	5.84	8.49	14.7	3.17	6.02	8.76	15.2	3.44	6.50	9.48	16.5
	24	2.12	4.40	6.62	11.8	2.69	5.47	8.11	14.2	2.81	5.66	8.39	14.8	3.06	6.12	9.09	16.1
9	12	2.49	4.75	6.98	12.2	3.09	5.86	8.52	14.7	3.20	6.05	8.79	15.2	3.47	6.52	9.50	16.5
	16	2.27	4.54	6.76	12.0	2.85	5.63	8.27	14.4	2.97	5.81	8.55	14.9	3.23	6.28	9.25	16.3
	24	1.86	4.13	6.34	11.5	2.38	5.15	7.78	13.9	2.51	5.36	8.07	14.4	2.75	5.81	8.76	15.7
10	12	2.33	4.60	6.81	12.0	2.92	5.68	8.33	14.5	3.03	5.87	8.61	15.0	3.29	6.34	9.31	16.3
	16	2.07	4.34	6.55	11.7	2.62	5.39	8.02	14.1	2.75	5.58	8.30	14.7	3.00	6.04	9.00	16.0
	24	1.55	3.83	6.02	11.2	2.04	4.80	7.40	13.5	2.18	5.01	7.71	14.0	2.41	5.45	8.38	15.3
12	12	1.97	4.22	6.42	11.6	2.50	5.25	7.86	13.9	2.63	5.45	8.15	14.5	2.88	5.91	8.85	15.8
	16	1.60	3.85	6.03	11.2	2.08	4.82	7.41	13.4	2.22	5.03	7.71	14.0	2.45	5.47	8.39	15.3
	24	0.87	3.12	5.27	10.4	1.26	3.98	6.52	12.4	1.43	4.21	6.85	13.0	1.63	4.62	7.49	14.3
14	12	1.55	3.78	5.94	11.1	2.02	4.72	7.29	13.3	2.16	4.94	7.59	13.8	2.39	5.38	8.27	15.1
	16	1.05	3.27	5.41	10.5	1.46	4.14	6.66	12.6	1.62	4.37	6.98	13.2	1.82	4.79	7.64	14.4
	24	0.11 ³	2.30	4.38	9.34	0.40 ⁴	3.03	5.46	11.2	0.58	3.28	5.81	11.8	0.74	3.65	6.42	13.1
16	12	1.07	3.25	5.36	10.4	1.47	4.11	6.59	12.4	1.63	4.33	6.91	13.0	1.83	4.75	7.57	14.3
	16	0.46 ³	2.61	4.68	9.60	0.78 ⁴	3.37	5.79	11.5	0.95	3.61	6.13	12.1	1.13	4.00	6.75	13.3
	24		1.41 ³	3.39 ⁴	8.15		2.00 ³	4.28 ⁴	9.72		2.26 ⁴	4.65	10.4		2.58 ⁴	5.21	11.6

8"

35 psf Lateral Load

Wall Height (ft)	Stud Spacing (in.) o.c.	800SR162				800SR200				800SR250				800SR300			
		33 ksi		50 ksi		33 ksi		50 ksi		33 ksi		50 ksi		33 ksi		50 ksi	
		43	54	68	97	43	54	68	97	43	54	68	97	43	54	68	97
8	12	2.54	4.81	7.03	12.3	3.16	5.93	8.59	14.8	3.26	6.11	8.86	15.3	3.53	6.59	9.57	16.6
	16	2.35	4.62	6.84	12.1	2.94	5.71	8.37	14.5	3.05	5.90	8.64	15.0	3.31	6.37	9.35	16.4
	24	1.96	4.24	6.45	11.7	2.50	5.28	7.91	14.0	2.63	5.48	8.20	14.6	2.87	5.93	8.89	15.9
9	12	2.38	4.65	6.87	12.1	2.97	5.75	8.40	14.5	3.09	5.93	8.67	15.1	3.35	6.40	9.38	16.4
	16	2.13	4.41	6.62	11.8	2.70	5.47	8.11	14.2	2.82	5.66	8.39	14.8	3.07	6.12	9.09	16.1
	24	1.65	3.93	6.13	11.3	2.14	4.92	7.53	13.6	2.29	5.13	7.83	14.2	2.52	5.57	8.51	15.5
10	12	2.20	4.47	6.68	11.9	2.77	5.54	8.17	14.3	2.89	5.73	8.45	14.8	3.14	6.19	9.16	16.1
	16	1.90	4.17	6.37	11.6	2.43	5.19	7.81	13.9	2.56	5.39	8.10	14.5	2.80	5.85	8.79	15.7
	24	1.30	3.57	5.76	10.9	1.75	4.51	7.10	13.1	1.90	4.73	7.41	13.7	2.12	5.16	8.07	15.0
12	12	1.78	4.04	6.23	11.4	2.29	5.04	7.64	13.7	2.43	5.24	7.93	14.2	2.66	5.69	8.62	15.5
	16	1.35	3.61	5.78	10.9	1.81	4.54	7.11	13.1	1.96	4.76	7.42	13.7	2.17	5.19	8.09	15.0
	24	0.52	2.76	4.90	9.96	0.87	3.57	6.08	12.0	1.04	3.81	6.42	12.6	1.22	4.21	7.05	13.8
14	12	1.30	3.52	5.67	10.8	1.74	4.43	6.97	12.9	1.89	4.65	7.29	13.5	2.10	5.08	7.95	14.8
	16	0.73	2.94	5.06	10.1	1.10	3.77	6.25	12.1	1.26	4.00	6.59	12.7	1.46	4.40	7.23	14.0
	24		1.84 ⁴	3.89	8.80		2.50	4.89	10.5		2.76	5.25	11.2	0.22 ⁴	3.10	5.83	12.4
16	12	0.76 ⁴	2.93	5.02	9.98	1.12	3.73	6.18	11.9	1.28	3.97	6.52	12.5	1.48	4.37	7.15	13.8
	16		2.20 ⁴	4.24	9.11	0.34 ³	2.90	5.27	10.9	0.52 ⁴	3.15	5.62	11.5	0.67 ⁴	3.51	6.22	12.7
	24		0.85 ³	2.78 ³	7.46 ⁴		1.35 ³	3.57 ⁴	8.89		1.62 ³	3.95 ⁴	9.58		1.91 ³	4.47	10.7

¹ Deflection meets L/120 ² Deflection meets L/240 ³ Deflection meets L/360 ⁴ Deflection meets L/600 *If no note, deflection meets L/720

8"

40 psf Lateral Load

Wall Height (ft)	Stud Spacing (in.) o.c.	800SR162				800SR200				800SR250				800SR300			
		33 ksi		50 ksi		33 ksi		50 ksi		33 ksi		50 ksi		33 ksi		50 ksi	
		43	54	68	97	43	54	68	97	43	54	68	97	43	54	68	97
8	12	2.46	4.73	6.95	12.2	3.06	5.84	8.49	14.7	3.17	6.02	8.76	15.2	3.44	6.50	9.48	16.5
	16	2.24	4.51	6.73	11.9	2.81	5.59	8.24	14.4	2.93	5.78	8.51	14.9	3.19	6.25	9.22	16.2
	24	1.80	4.08	6.29	11.5	2.31	5.10	7.72	13.8	2.45	5.30	8.02	14.4	2.69	5.75	8.70	15.7
9	12	2.27	4.54	6.76	12.0	2.85	5.63	8.27	14.4	2.97	5.81	8.55	14.9	3.23	6.28	9.25	16.3
	16	1.99	4.27	6.48	11.7	2.54	5.31	7.94	14.1	2.67	5.51	8.23	14.6	2.91	5.97	8.92	15.9
	24	1.44	3.72	5.92	11.1	1.91	4.69	7.29	13.3	2.06	4.90	7.59	13.9	2.28	5.33	8.26	15.2
10	12	2.07	4.34	6.55	11.7	2.62	5.39	8.02	14.1	2.75	5.58	8.30	14.7	3.00	6.04	9.00	16.0
	16	1.73	4.00	6.20	11.4	2.23	5.00	7.61	13.7	2.37	5.20	7.91	14.2	2.60	5.65	8.59	15.5
	24	1.05	3.32	5.50	10.6	1.47	4.23	6.80	12.8	1.63	4.45	7.12	13.4	1.83	4.87	7.77	14.6
12	12	1.60	3.85	6.03	11.2	2.08	4.82	7.41	13.4	2.22	5.03	7.71	14.0	2.45	5.47	8.39	15.3
	16	1.11	3.36	5.52	10.6	1.53	4.26	6.81	12.8	1.69	4.48	7.13	13.4	1.90	4.90	7.79	14.6
	24	0.17 ⁴	2.41	4.53	9.56	0.47	3.17	5.65	11.5	0.66	3.42	6.00	12.1	0.82	3.79	6.61	13.3
14	12	1.05	3.27	5.41	10.5	1.46	4.14	6.66	12.6	1.62	4.37	6.98	13.2	1.82	4.79	7.64	14.4
	16	0.42 ⁴	2.62	4.72	9.71	0.75	3.40	5.86	11.6	0.92	3.64	6.20	12.3	1.10	4.02	6.82	13.5
	24		1.38 ³	3.40 ⁴	8.26		1.98 ⁴	4.32	9.89		2.25 ⁴	4.70	10.6		2.57	5.26	11.7
16	12	0.46 ³	2.61	4.68	9.60	0.78 ⁴	3.37	5.79	11.5	0.95	3.61	6.13	12.1	1.13	4.00	6.75	13.3
	16		1.80 ³	3.81 ⁴	8.62		2.44 ⁴	4.77	10.3	0.10 ³	2.70 ⁴	5.13	10.9	0.23 ⁴	3.04	5.71	12.1
	24		0.30 ³	2.18 ³	6.78 ⁴		0.73 ³	2.89 ³	8.08 ⁴		1.01 ³	3.28 ³	8.79		1.26 ³	3.77 ⁴	9.89

8"

50 psf Lateral Load

Wall Height (ft)	Stud Spacing (in.) o.c.	800SR162				800SR200				800SR250				800SR300			
		33 ksi		50 ksi		33 ksi		50 ksi		33 ksi		50 ksi		33 ksi		50 ksi	
		43	54	68	97	43	54	68	97	43	54	68	97	43	54	68	97
8	12	2.29	4.56	6.78	12.0	2.87	5.65	8.30	14.5	2.99	5.84	8.58	15.0	3.25	6.31	9.28	16.3
	16	2.01	4.29	6.51	11.7	2.56	5.34	7.98	14.1	2.69	5.54	8.26	14.6	2.94	6.00	8.96	15.9
	24	1.47	3.76	5.96	11.1	1.94	4.73	7.34	13.4	2.09	4.94	7.64	14.0	2.32	5.38	8.31	15.3
9	12	2.06	4.34	6.55	11.8	2.62	5.39	8.02	14.1	2.74	5.58	8.31	14.7	2.99	6.05	9.01	16.0
	16	1.72	3.99	6.20	11.4	2.22	5.00	7.61	13.7	2.36	5.20	7.91	14.3	2.60	5.65	8.59	15.5
	24	1.03	3.32	5.50	10.7	1.45	4.22	6.80	12.8	1.61	4.45	7.12	13.4	1.82	4.86	7.77	14.7
10	12	1.81	4.08	6.28	11.5	2.33	5.09	7.71	13.8	2.46	5.30	8.00	14.3	2.70	5.75	8.69	15.6
	16	1.39	3.66	5.85	11.0	1.85	4.61	7.20	13.2	2.00	4.83	7.51	13.8	2.22	5.26	8.18	15.1
	24	0.55	2.83	4.99	10.1	0.91	3.66	6.20	12.1	1.08	3.90	6.54	12.8	1.27	4.29	7.16	14.0
12	12	1.23	3.48	5.65	10.8	1.67	4.40	6.96	12.9	1.82	4.62	7.28	13.5	2.04	5.04	7.94	14.8
	16	0.64	2.88	5.02	10.1	1.00	3.71	6.23	12.1	1.17	3.95	6.56	12.7	1.36	4.34	7.19	14.0
	24		1.72 ⁴	3.80	8.78		2.38	4.81	10.5		2.65	5.18	11.2		2.99	5.75	12.4
14	12	0.58 ⁴	2.78	4.89	9.90	0.92	3.58	6.05	11.9	1.09	3.82	6.39	12.5	1.27	4.21	7.02	13.7
	16		1.99 ⁴	4.05	8.98		2.68	5.08	10.8	0.25 ⁴	2.93	5.44	11.4	0.39	3.28	6.03	12.6
	24		0.51 ³	2.46 ³	7.22		0.98 ³	3.23 ⁴	8.64		1.27 ³	3.63 ⁴	9.35		1.54 ³	4.14	10.5
16	12		2.00 ³	4.02	8.86	0.12 ³	2.67 ⁴	5.02	10.6	0.31 ⁴	2.92	5.38	11.2	0.45 ⁴	3.27	5.96	12.4
	16		1.04 ³	2.98 ³	7.68		1.57 ³	3.80 ⁴	9.16		1.83 ³	4.18 ⁴	9.85		2.13 ³	4.72	11.0
	24			1.05 ³	5.50 ³			1.58 ³	6.55 ³			1.99 ³	7.29 ⁴			2.41 ³	8.32

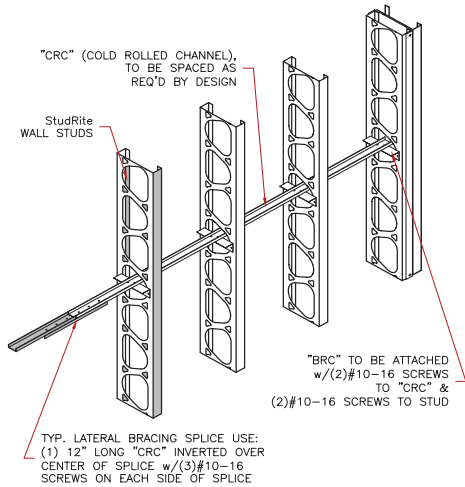
¹ Deflection meets L/120 ² Deflection meets L/240 ³ Deflection meets L/360 ⁴ Deflection meets L/600 *If no note, deflection meets L/720



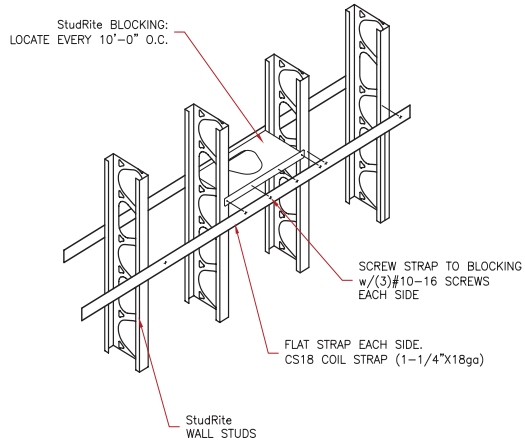
STRUCTURAL FRAMING

For more information, please contact MarinoWARE® Technical Services at 866-545-1545.

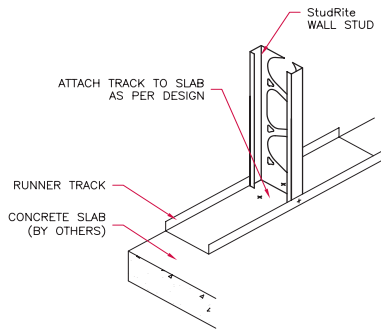
This technical information reflects the most current information available and supersedes any and all previous publications effective May 22, 2023 | MW StudRite Technical Catalog | © WARE Industries, Inc. 2023



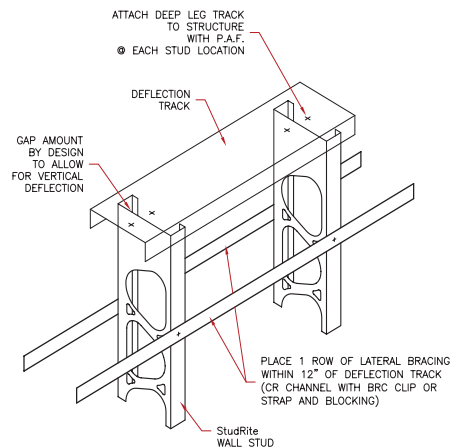
1 STUD BRACING
CR CHANNEL WITH BRC CLIP



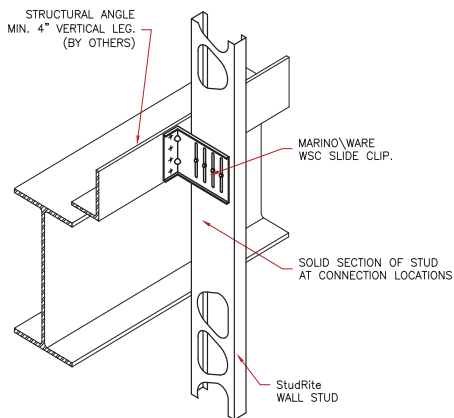
2 STUD BRACING
STRAP AND SOLID BLOCKING FOR 6" AND WIDER STUDS ONLY



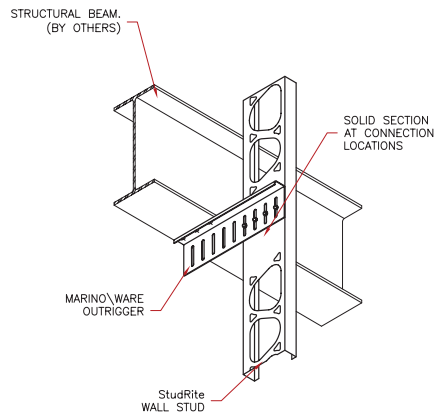
3 STUD TO TRACK DETAIL
ANCHORAGE TO STRUCTURE



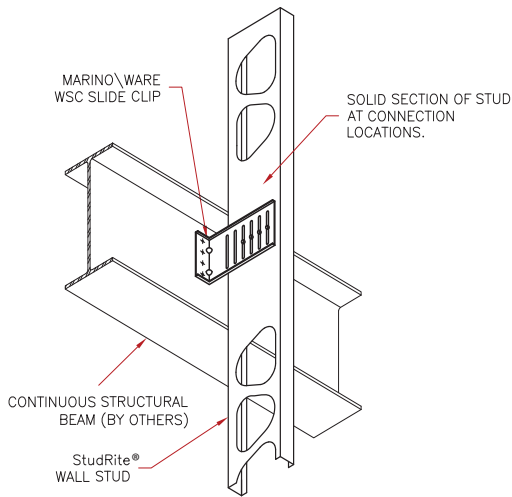
4 DEFLECTION TRACK
CURTAIN WALL STUD WITH LATERAL BRACING



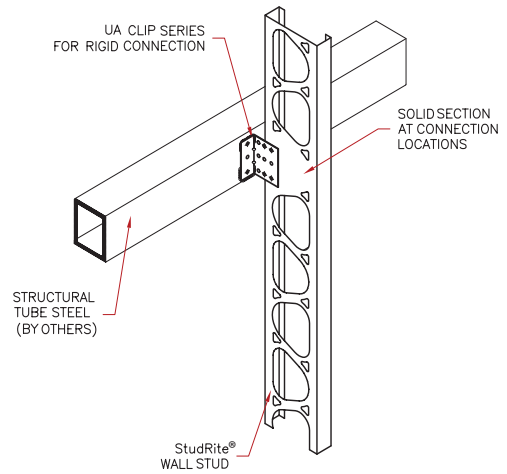
5 STUD ATTACHMENT
CURTAINWALL BY-PASS CONDITION USING MARINO WARE WSC SLIDE CLIP



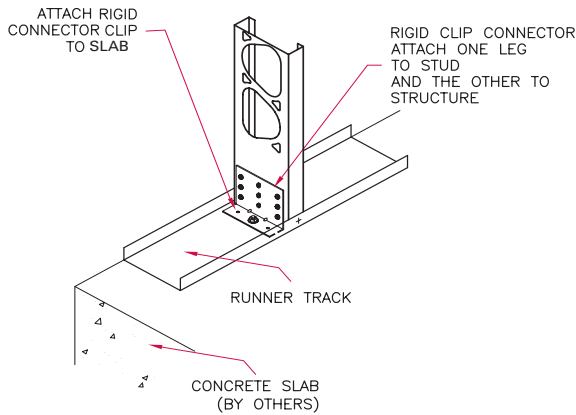
6 STUD ATTACHMENT
CURTAINWALL BY-PASS CONDITION USING MARINO WARE OUTRIGGER



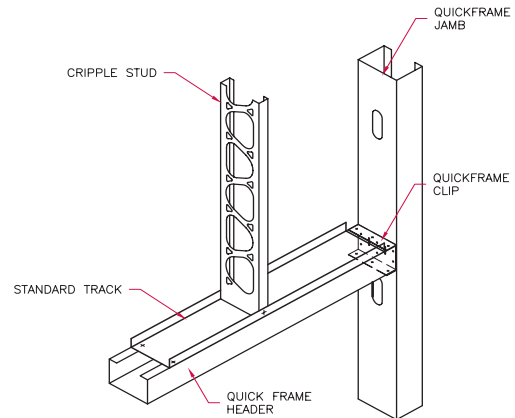
7 STUD ATTACHMENT
WSC TO NON-LOAD BEARING STUD



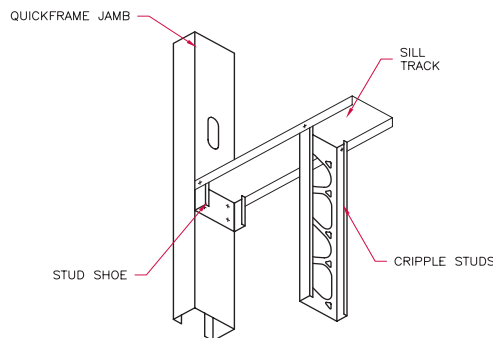
8 STUD ATTACHMENT
CLIP ANGLE WELDED TO STRUCTURE ANGLE AND SCREW ATTACHED TO STUD



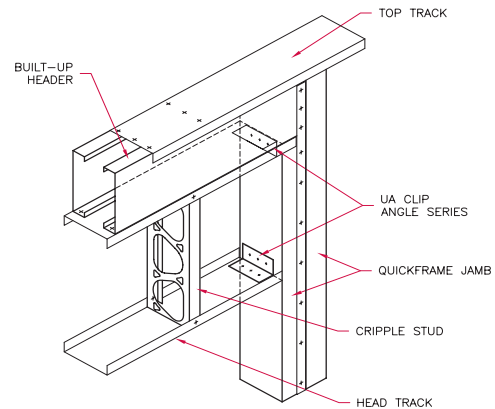
9 STUD TRACK ANCHORAGE



10 LAY-IN HEADER DETAIL
NON-LOAD BEARING CURTAIN WALL HEADER



11 SILL CONNECTION
CONNECTION OF SILL TO QUICK FRAME SYSTEM

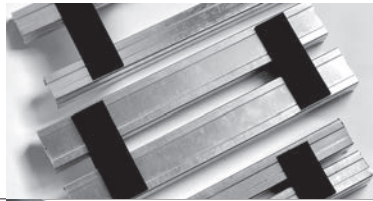


12 BOXED HEADER CONNECTION
LOAD BEARING HEADER - TWO MEMBER BOXED

Visit MarinoWARE.com to experience our full line of innovative solutions.



SOUND GUARD
THE SILENT STEEL FRAMING SYSTEM



- Reduces labor and materials
- Increases available floor space
- Does not require additional bracing or resilient channel



Firestopping
Fire Bead • Fire Gasket • HotRod XL



- Firestopping and sound control for building joints
- Innovative firestop devices for faster installation
- Prevents passage of fire, smoke and toxic fumes



StudRite
JoistRite



- High strength-to-mass ratio
- Increased structural performance due to lip reinforced triangular cutouts and embossments
- Efficient design for installing plumbing, heating, electrical, and other trades
- Saves construction professionals valuable time and reduces labor costs



- Unsurpassed resistance against loads imposed by seismic activity, hurricane force winds, fire, mold, impact and blast, while actively reducing sound transmission



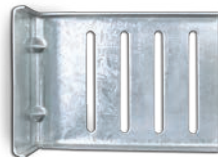
RC-MAX



- RC-MAX is manufactured from 0.0190" 50 KSI steel for additional strength
- Offers economical means for controlling sound transmission



ClipSource



- A comprehensive line of connectors for cold formed steel framing
- Designed to facilitate quicker, more cost-effective installation, while making proper attachment of cold formed steel members easier



GenieClip



- Engineered for superior acoustical performance in reducing the transmission of airborne and impact sound through wall and floor/ceiling assemblies
- Easy and fast to install using standard steel furring channel



QuickFrame
Rough Opening System



- Eliminates the need for multiple piece headers, jambs, and sills, reducing jobsite labor assembly time by more than 50%

YOUR SUCCESS DEPENDS ON QUALITY BUILDING PRODUCTS AND SO DOES OURS.

For over 30 years, Marino\WARE[®], a division of Ware Industries Inc., has served our customers with top quality cold-formed steel framing products, while delivering better solutions to design and construction challenges. We are committed to providing a superior customer experience through a vast selection of readily available products, a knowledgeable sales team, comprehensive technical support and services, prompt delivery through our fleet of trucks, and an extensive distribution network.

Our best-in-class product development team delivers innovative solutions to installation and cost challenges with products designed to save time, labor, and materials. In addition, we utilize the latest in roll forming techniques, maintain the latest level of technology available to the steel framing industry, and strictly adhere to all ASTM specifications.

Marino\WARE is 100% American-owned and operated. We take pride in creating local jobs, supporting local communities, and manufacturing products that reflect the uncompromising skill and ethics of our professional team. We operate state-of-the-art production facilities in New Jersey, Georgia, and Indiana, as well as a sales office in New York.

Visit MarinoWARE.com to experience our full line of innovative solutions.

For more information, please contact Marino\WARE[®] Technical Services at 866.545.1545

This technical information reflects the most current information available and supersedes any and all previous publications effective May 22, 2023 | MW StudRite Technical Catalog | © WARE Industries, Inc. 2023

Marino\WARE[®] operates state-of-the-art production facilities in New Jersey, Georgia, and Indiana, as well as a sales office in New York.

New Jersey Facility
400 Metuchen Road
South Plainfield, NJ 07080
800.627.4661
908.757.9000
Fax: 908.412.1442

Georgia Facility
777 Greenbelt Parkway
Griffin, GA 30223
800.504.8199
678.688.1312
Fax: 678.688.1379

Indiana Facility
4245 Railroad Avenue
East Chicago, IN 46312
866.636.6002
219.378.7100
Fax: 219.378.7106

New York Sales Office
51 John St. Ste. 1
Babylon, NY 11702
800.627.4667
631.691.2200
Fax: 631.691.1492

Marino\WARE[®] DesignGroup[™]
100 Hendrick Drive, Suite 200
McDonough, GA 30253
866.545.1545
678.688.7780
Fax: 770.507.2605