

Marino\WARE® Product Submittal Data

PRODUCT NAME: Z-Furring 25 Gauge

MARINO\WARE PART #

PROPERTIES:

| | | | |
|-------------------------|----------|----------------------------------|--------|
| Web (in) | Varies | Yield Strength Fy (KSI) | 33 |
| Length (ft) | 10 | Tensile Strength Fu (KSI) | 45 |
| Mils | 18 | Design Thickness (in) | 0.0188 |
| Available Finish | G40, G60 | Minimum Thickness (in) | 0.0179 |
| | | Gauge | 25 |

CODES & STANDARDS

- ASTM C 645 compliant
- Galvanized steel sheet meets ASTM A 1003 & A 653

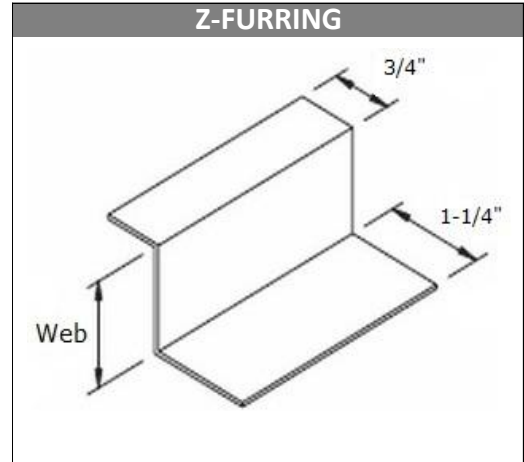
GREEN INFO LEED® v3

Available LEED® points in the following categories:

- MR Credit 2 - Construction Waste Management (1-2 points)
- MR Credit 4 - Recycled Content (1-2 points)
- MR Credit 5 - Regional Materials (1-2 points)

- Total Recycled Content: 34.9%
- Post Consumer Content: 24.3%
- Pre Consumer (Post Industrial) Content: 9.4%

09.22.16 Non Structural Metal Framing



For more information, please contact Marino\WARE Technical Services at 866-545-1545.

This technical information reflects the most current information available and supersedes any and all publications, effective 10/1/2011
©Copyright 2011 by Ware Industries, Inc. All rights reserved