

Marino\WARE® Product Submittal Data

PRODUCT NAME: Z-Furring 25 Gauge

MARINO\WARE PART #

PROPERTIES:

Web (in)	Varies	Yield Strength Fy (KSI)	33
Length (ft)	10	Tensile Strength Fu (KSI)	45
Mils	30	Design Thickness (in)	0.0188
Available Finish	G40, G60, G90	Minimum Thickness (in)	0.0179
		Gauge	25

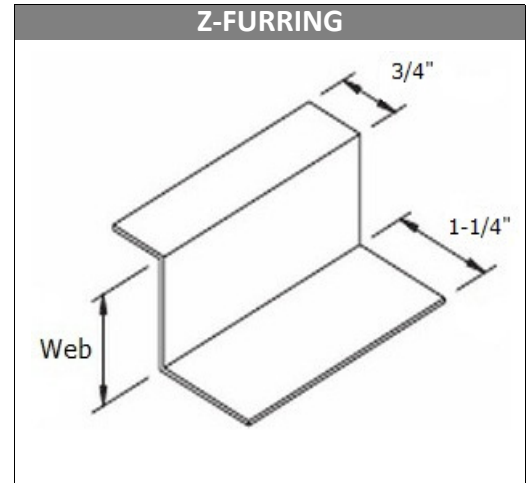
CODES & STANDARDS

- AISI S100, IBC 20105, 2018, 2021 compliant
- ASTM C645 & AISI S220 (18 mil - 33 mil)
- Galvanized steel sheet meets ASTM A1003 or A653

GREEN INFO

- LEED credits available
- Contact Technical Services for more information.

09.22.16 Non Structural Metal Framing



www.marinoware.com

For more information, please contact Marino\WARE Technical Services at 866-545-1545.

This technical information reflects the most current information available and supersedes any and all publications, effective 6/5/2024
©Copyright 2024 by Ware Industries, Inc. All rights reserved