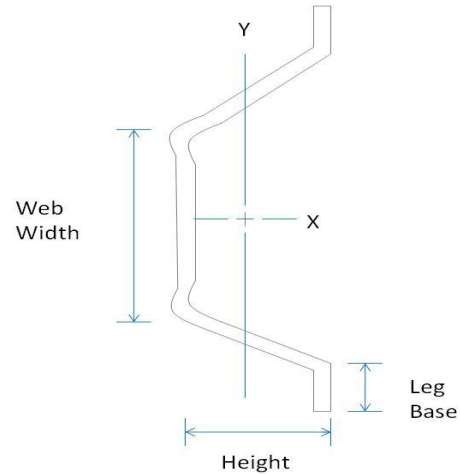


Member Designator **087F125-30**

Coating **G40EQ**

Physical Properties

Design Thickness **0.0312 in**
 Mil **30 mil**
 Gauge **20 Gauge**
 Web Width **1.25 in**
 Leg Base **0.50 in**
 Height **0.875 in**
 Yield Strength **33 ksi**



Gross Properties

Gross Properties				
Area (in ²)	I _x (in ⁴)	R _x (in)	I _y (in ⁴)	R _y (in)
0.115	0.014	0.353	0.058	0.710

Effective Properties

Effective Properties ³ (33ksi)		
I _x ² (in ⁴)	S _x (in ²)	M _a (in-k)
0.0143	0.0307	50.47

Allowable Ceiling Spans

Section	Ceiling Span	F _y (ksi)	Spans	4 psf Channel Spacing (in) o.c.			6 psf Channel Spacing (in) o.c.			13 psf Channel Spacing (in) o.c.		
				12	16	24	12	16	24	12	16	24
087F125-30	L/240	33	Single	6' 2"	5' 7"	4' 11"	5' 5"	4' 11"	4' 3"	4' 2"	3' 9"	3' 4"
			Multiple	7' 7"	6' 11"	6' 1"	6' 8"	6' 1"	5' 3"	5' 2"	4' 8"	3' 11"

Section	Ceiling Span	F _y (ksi)	Spans	4 psf Channel Spacing (in) o.c.			6 psf Channel Spacing (in) o.c.			13 psf Channel Spacing (in) o.c.		
				12	16	24	12	16	24	12	16	24
087F125-30	L/360	33	Single	5' 5"	4' 11"	4' 3"	4' 8"	4' 3"	3' 9"	3' 8"	3' 4"	2' 11"
			Multiple	6' 8"	6' 1"	5' 3"	5' 10"	5' 3"	4' 7"	4' 6"	4' 1"	3' 7"

General Notes

- Physical properties and load tables have been calculated in conformance with the 2001 NASPEC for the Design of Cold-Formed Steel Structural Members, including the 2004 Supplement, and the IBC 2006, unless noted otherwise.
- Drywall framing members have a protective coating conforming to ASTM spec A 653/A 653M, G-40 min, or equivalent corrosion resistance.
- Reference ASTM specification A 1003/A 1003 M table 1 for the universe of allowable coatings for light gauge steel framing.
- Drywall framing members are marked with product information per the requirements of ASTM C 645 section 14.
- All delivered material must be kept dry, preferably by being stored inside a building under a roof. If it is necessary to store material outside, it must be stacked off the ground, properly supported on a level platform, and fully protected from the weather. Reference ASTM C 754 section 8 and ASTM C 1007 section 4.
- Drywall framing [nonstructural 25 gauge, 22 gauge and 20 gauge] is not permitted in load bearing (i.e. axial load greater than 200 lbs.) or exterior applications (i.e. transverse load greater than 10 PSF). Reference ASTM C 645 section 3.2.2.

LEED Green Building Credits

MR Credit 2: Construction Waste Management – MBA steel framing is 100% recyclable.
 MR Credit 4: Recycled Content – MBA steel framing is formed from no less than 25.5% post-consumer and 6.8% pre-consumer recycled content.
 MR Credit 5: Regional Materials – MBA has manufacturing facilities in multiple states.