



AccuTrac[®]
FASTENING SYSTEM

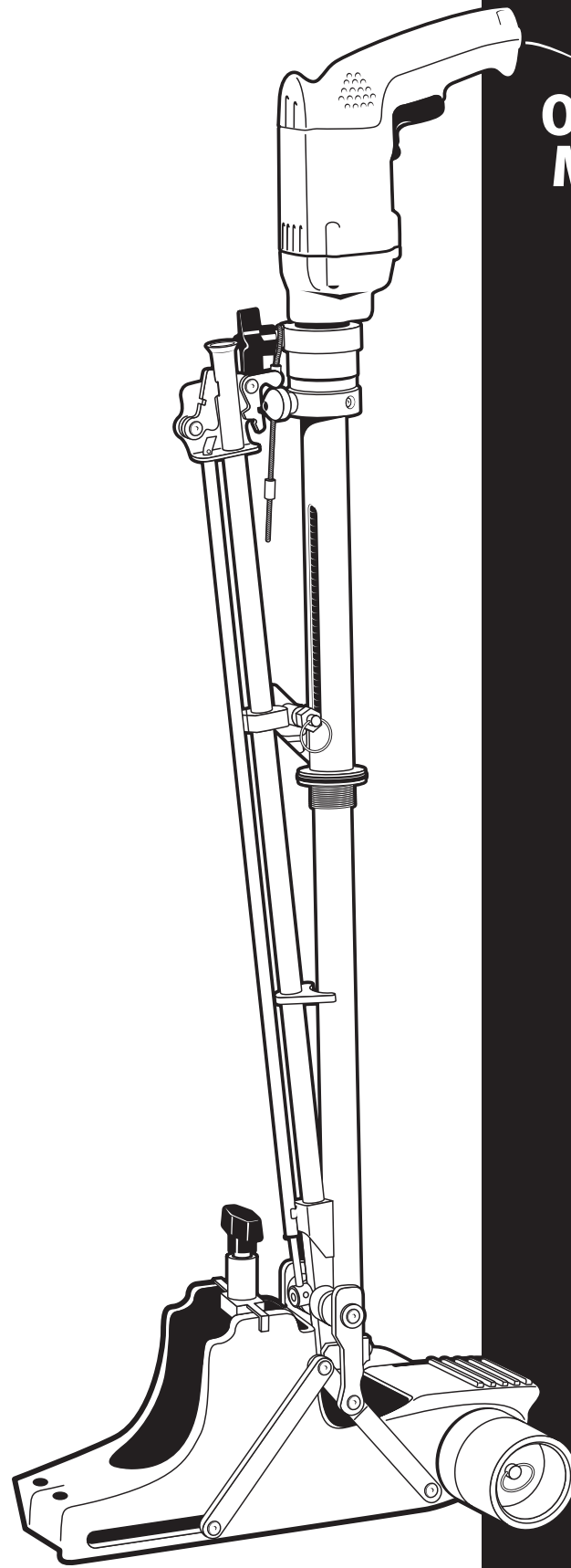


AccuSeam
FASTENING SYSTEM



RhinoTrac[®]
FASTENING SYSTEM

Stand-up Fastener Installation Tools



**OWNER'S
MANUAL**



153 BOWLES ROAD, AGAWAM, MA 01001 USA
800-633-3800 | WWW.OMGROOFING.COM

IMPORTANT!
Save this manual
and read it in full
before use.

TABLE OF CONTENTS

- 2 Safety Instructions
- 3 Wire Gauge
- 3 Operating Instructions
 - General
 - Loading Plates
 - Operating the Tool
 - Depth Adjustment
- 4 Parts Removal and Replacement
 - Feed Tube Removal and Replacement
 - Screw Gun Removal and Replacement
 - Drive Shaft, Hex Pin Insert and Bit(s)
 - Ejector Blade Insert Discs
 - Clearing Fastener and Plate Jams
 - Cleaning Procedure
- 5 Troubleshooting Problems
- 6 Warranty and Remedy
- 7 Parts List
- 11 Cleaning and Maintenance Procedures
 - Necessary Supplies
 - Dismantling the Tool

NOTICE

The AccuTrac tool is used throughout this manual as the example for processes and instructions. Since the three tools are similar, the methods given also correspond to the AccuSeam and RhinoTrac tools, except where noted.

If you have any questions or concerns about any of the material covered in this booklet, please contact your local OMG representative or call OMG Roofing Products Technical Services Department at 1-800-633-3800.



WARNING

When using electric tools, safety precautions should always be followed to reduce the risk of fire, electric shock, and personal injury. Failure to follow these instructions can result in severe personal injury.



READ & SAVE ALL INSTRUCTIONS

GENERAL SAFETY CONSIDERATIONS

1. Before using the tool, become familiar with all of the operating instructions.
2. Don't use the tool for purposes not intended.
3. Failure to wear safety glasses with side shields can result in severe eye injury or blindness. Always wear safety glasses with side shields that conform to ANSI Standard Z87.1.
4. Keep the work area clean and well lit. Dark, cluttered work areas and benches invite injuries.
5. Dress properly! Never operate the tool while wearing loose clothing or jewelry. They can be caught in moving parts.
6. Maintain proper footing and balance at all times:
 - Don't use the tool in an awkward position.
 - Don't overreach.
7. Stay alert! Watch what you are doing! Use common sense! Do not operate tool when you are tired!

SAFETY PROCEDURES FOR ELECTRIC TOOLS

1. Guard against electric shock.
2. Consider work area environment:
 - Never operate tool in damp or wet locations.
 - Prevent body contact with grounded surfaces, such as pipes.
 - Use only extension cords intended for outdoor use and so marked.
 - Wear rubber gloves and non-skid footwear when working outdoors.
 - Don't expose power tools to rain.
 - Never operate tool in the presence of flammable liquids or gases.
3. Never allow visitors to contact the tool or extension cords. All visitors should be kept away from the work area.

4. Don't abuse the tool:
 - Keep handle dry, clean and free from oil and grease.
 - Never carry the tool by the cord or yank it to disconnect from the receptacle.
 - Always keep the cord from heat, oil and sharp edges.
 - Always store an idle tool in a dry, high or locked-up place.
 - Always disconnect the tool when it's not in use or before servicing.
 - To avoid unintentional starting, never carry a plugged-in tool with finger on the switch. Be sure the switch is OFF when plugging in.
5. Maintain the tool with care. Check damaged parts. Before further use of the tool, a guard or other part that is damaged should be carefully checked to determine that it will operate properly and perform its intended function. Check for alignment of moving parts, binding of moving parts, breakage of parts, mounting and any other conditions that may affect its operation. A guard or other part that is damaged should be properly repaired or replaced by an authorized service center unless otherwise indicated elsewhere in this instruction manual. Have inoperative switches replaced by an authorized service center. Do not use the tool if the switch does not turn the tool ON and OFF.
 - When servicing double insulated tool, use identical replacement parts.
 - Keep the tool clean for better and safer performance.
 - Inspect the tool cord periodically and, if damaged, have it repaired by an authorized service facility.
 - Inspect the extension cord periodically and replace it if it's damaged.

AccuTrac®, RhinoBond® and EyeHook® are registered trademarks of OMG, Inc.
© Copyright 2019 OMG, Inc. All rights reserved.

IMPORTANT NOTE BEFORE USING TOOL

Extension cords must be of adequate wire size (AWG or American Wire Gauge) for safety, to prevent loss of power and to avoid overheating. To determine the minimum wire size required, refer to the following chart:

Cord Length (Feet)	25'	50'	75'	100'	125'	150'
Wire Size (Gauge)	18	16	14	14	12	12

NOTICE

OMG Roofing Products is not responsible for damage to the tool and/or improper installation as a result of using fasteners and/or plates other than described here.

The AccuTrac tool was designed for use with 3" square plates (insulation) and approved fasteners manufactured by OMG Roofing Products.

The AccuSeam tool was designed for use with 2 $\frac{3}{8}$ " EyeHook® plates (membrane) and approved fasteners manufactured by OMG Roofing Products.

The RhinoTrac tool was designed for use with 3" specially coated RhinoBond® plates and approved fasteners manufactured by OMG Roofing Products.



OPERATING INSTRUCTIONS

GENERAL

1. **Use only with approved plates and fasteners manufactured by OMG Roofing Products. See notice at left.**
2. At the beginning of each day, wipe down the tubes and the bottom of the ejector plate. Lubricate the linkage and the plate ejector blade, if needed, then unlatch the tool.
3. Load the plate hold with the proper plates.
4. Make sure the screw gun is in the FORWARD mode. Connect the tool to the proper power source.
5. At the end of the day, remove any dust accumulation from the tubes and the bottom of the ejector blade.
6. Lubricate all moving parts. Excess lubricant will evaporate overnight.
7. Relatch the tool and store it in its case.

LOADING PLATES

1. Push and turn the plate retaining handle counterclockwise and lift the retaining rod to its extended position.
2. Remove the pre-packaged plates from the box.
For AccuTrac, align the notch in the plates with the projection on the back side of the plate hold. For AccuSeam, make sure the EyeHooks are facing down.
3. Drop the plates into the hold, slide the retaining rod down, then push and turn it clockwise to lock the handle in position.

OPERATING THE TOOL

1. Drop one screw, point down, into the funnel.
2. Fully compress the tool to allow a plate to be ejected from the stack and moved into position for attaching to the insulation or membrane. At this point the screw will be released and will drop down the feed tube. Allow the tool to fully extend, then drop another screw into the funnel. It will be contained at the mouth of the funnel until needed.
3. Lock the screw gun trigger in the ON position. Using the lock will keep the screw gun running cooler. Push the tool downward to drive the screw through the insulation or membrane until it contacts the deck. Continue to hold down on the tool until the plate is fully seated.
4. Allow the tool to retract to its original position. This motion causes the next plate to be ejected from the stack and the second screw to drop down the feed tube.

5. Check the plate to make sure it is properly seated and adjust fastener depth if necessary.
6. Roll the tool to the next plate application position on the roof and repeat the "tool use" instructions.

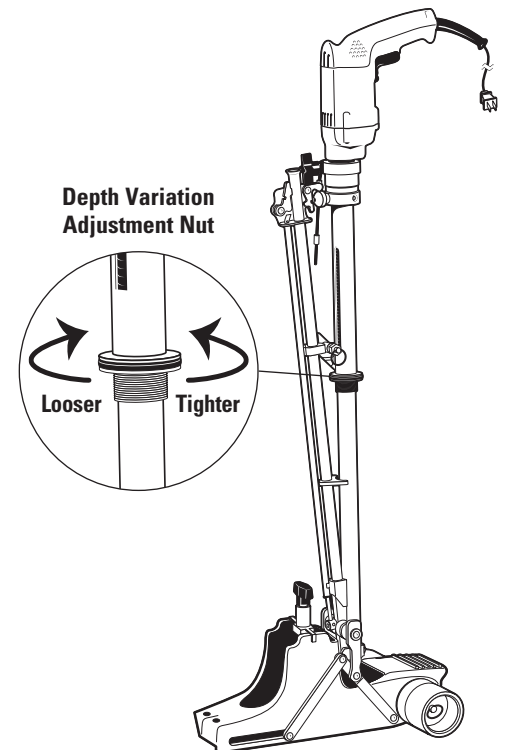
DEPTH ADJUSTMENT

Overdriving can cause the screw to strip out the metal deck and not hold. The tool should be adjusted to make the plate snug so that it does not spin freely on the surface. The plate should not be so tight as to cause it to deform.

To avoid overdriving, it is suggested that the operator deliberately start with the adjustment set too loose and then slowly make adjustments until the desired tightness is reached.

Adjustments are made using the large ring located on the upper body tube of the tool. **Moving the ring upwards towards the screw gun will make the screw deeper (tighter).**

NOTE: If you are unable to make the plate "snug" through adjusting the depth adjustment nut, make sure that the screw gun is in the forward position (not reverse).



PARTS REMOVAL AND REPLACEMENT

Always use **OMG Roofing Products** replacement parts.

FEED TUBE REMOVAL AND REPLACEMENT

1. Disconnect the upper link from the feed tube assembly by sliding the metal bushings inward and push the upper link forward to disengage. Repeat the process for the opposite upper link.
2. The tool can now be removed from the base by pulling up on the tool.
3. Once the tool is separated from the base, you can remove the feed tube from the upper tube by pulling on the spring-loaded retention pin and separating it from the bracket on the upper tube. The feed tube should now release from the tool.
4. To reinstall the feed tube, align the lower end so that the "ears" engage the notches of the lower tube.
5. Angle the feed tube towards the upper tube and reinstall the retention pin into the bracket.
6. Reattach the upper links by sliding the metal bushings inward and connecting the links.

WARNING

The nosepiece is not to be removed!

1. The nosepiece is under spring-loaded pressure. Attempting to remove the nosepiece could cause personal injury.
2. See warning sticker on tool!
3. Contact 1-800-633-3800 to locate your nearest authorized **OMG Roofing Products AccuTrac Distributor and Service Center.**

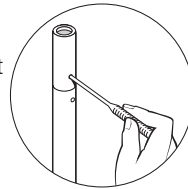


SCREW GUN REMOVAL AND REPLACEMENT

1. Loosen the star knob assembly on the screw gun motor clamp and rotate the screw gun in the counterclockwise direction until the threads disengage.
2. The screw gun must be raised straight up to allow the screw gun and the attached drive shaft to be removed from the tool.
3. When the assembly is free, pull the drive shaft from the screw gun. To reattach the screw gun, reverse the above process. Be careful not to over-tighten the screw gun as this may cause the nosepiece of the screw gun to fall off.

DRIVE SHAFT, HEX PIN INSERT AND BIT(S)

1. Remove the screw gun and drive shaft assembly as described above. Separate the screw gun from the drive shaft by simply pulling on the shaft from the screw gun.
2. Carefully inspect the drive shaft, spring pin hex insert, Phillips cap and bit assemblies for excessive wear, cracks and/or damage of any kind. If either the shaft, spring pin hex insert, Phillips cap or bits require replacing, use assembly part number 6634910 (Universal drive shaft), 6606910 (spring pin hex insert), 6722910 (1.4" length reversible hex bit), 6637910 (Phillips cap) and 6624910 (Phillips bit insert).
3. If only the drive bit needs to be replaced, first locate where the spring pin insert holds the bit cap, then press in on the spring pin to affect release.
4. When replacing a Phillips bit, insert a new bit into the Phillips cap then fit it over the end of the drive shaft, press in on the spring pin while aligning the hole in the cap or bit and push in until the spring pin snaps into place. **For Hex Head users:** To reinstall the hex drive, simply fit it over the end of the drive shaft, press in on the spring pin while aligning the hole in the hex drive and push in until the spring snaps into place.



5. Reinstall the drive shaft assembly into the screw gun making sure it snaps into place.
6. Lower the drive shaft/screw gun assembly into the tool and rotate the screw gun clockwise until tight.
7. Rotate the screw gun to properly align for operation. When set, securely tighten the star knob on the motor clamp assembly. Do not overtighten the screw gun.

EJECTOR BLADE INSERT OR DISCS

NOTE: This step does not apply to RhinoTrac.

1. If the ejector blade insert or discs are worn and need to be replaced, the ejector blade assembly must first be removed from the tool.
2. Remove the two socket head cap screws that connect the ejector blade to the drive bar. Withdraw the ejector blade and take the assembly to a clean working surface.
3. The ejector blade insert or discs are fastened to the blade with two socket head cap screws. **The screws are secured with a retaining compound and they must be heated before they can be removed.** This is best done if heat is applied with a small propane torch.

CAUTION

Use care to avoid personal injury or heat damage to surroundings.



4. Remove the two screws and the two inserts or discs and replace with new discs.
5. **Coat the thread of the screws with retaining compound and securely tighten them. Allow 24 hours for the compound to cure.**
6. Insert the ejector blade into the tool, align it with the drive blade, insert and securely tighten the two socket head cap screws to fasten the ejector blade to the drive blade.

CLEARING FASTENER AND PLATE JAMS

1. Remove the feed tube (follow directions as described on page 4 of this manual) to access the junction where most fastener jams occur. You should be able to clear the fastener(s) from the nosepiece.
2. In some cases it may be necessary to remove the jaws in the end of the nosepiece to fully access the jam. The jaws can be removed by removing the O-ring that holds them in the nosepiece.
3. For clearing plate jams, first make sure the tool is completely retracted in its full upright position. This may require that you tug upwards on the tool. Most likely, a plate will shuttle into the proper place.
4. If the plate remains jammed, remove the stack of plates from the holder. First, attempt to cycle the ejector blade by quickly compressing the tool downward. The jammed plate should dislodge. If it does not, you will need to remove the plate manually as it is most likely stuck underneath the gate. This may require a pair of pliers. Take care not to damage the ejector blade or gate mechanism.
5. Once the jammed plate is removed, reinstall the plates in the plate hold.

CLEANING PROCEDURE

1. The linkages, ejector blade and housing should be cleaned weekly with a commercial solvent.
2. Special attention should be paid to the linkage connections and the groove in the casting (black base) that holds the ejector blade. Be sure these grooves are free of burrs, asphalt and dirt.
3. Once clean, relubricate the ejector blade track with Tri-Flow or a Teflon-based lubricant.
4. The gate should also be checked periodically to ensure it is not sticking. If it is, clean with a degreaser and relubricate.

TROUBLESHOOTING PROBLEMS

PROBLEM: PLATES NOT FEEDING SMOOTHLY OR COMPLETELY

POTENTIAL CAUSE	REMEDY
Plates have been inserted upside down.	Remove plates from plate hold and reinstall so the notch in the plate fits the extrusion in the plate hold.
Last plate in the hold jams in the gate.	It is recommended that the plate hold be refilled when approximately 10 plates are left.
Dirty ejector blade and/or guides.	Clean the ejector blade and/or guides with degreaser.
Gate is sticking.	Clean the gate with a degreaser.
Ejector blade screws are loose.	Remove the screws, clean the screws and threaded holes. Apply Loctite 242 and reinstall screws.
Ejector blade insert screws are loose.	Remove the screws, clean the screws and threaded holes. Apply Loctite 242 and reinstall screws.
Ejector blade insert undercut is clogged.	Clean out the undercut.
Nosepiece is bent.	Call 1-800-633-3800 for service. Do not attempt to remove nosepiece.
Plate stop screws are loose.	Remove the screws, clean the screws and threaded holes. Apply Loctite 242 and reinstall screws.
Plate retaining spring is not completely seated.	Turn the handle clockwise and gently pull upward. (Note: Does not apply to AccuSeam.)
Plate rod is not completely seated.	Turn the handle clockwise and gently pull upward. (Note: Does not apply to AccuSeam.)

PROBLEM: MISSING OR SKIPPED PLATES

Plate is bent or previously used.	Disconnect upper links from the feed tube and slide ejector blade forward. Remove suspect plate(s). Reconnect upper links and continue.
Ejector blade insert disc(s) is/are missing.	Replace missing insert.
Incorrect plates are being used.	Use only OMG Roofing Products AccuTrac plates.
Ejector blade insert disc undercuts are dirty/clogged.	Clean out undercuts.

PROBLEM: SCREWS NOT FEEDING OR INSTALLING PROPERLY

Wrong bit installed.	Use only AccuTrac drive bits. #3 Phillips drive bit 6624910 or 1.4" reversible hex bit 6722910.
Obstructed feed tube.	Clean or replace the feed tube.
Two screws jammed in feed tube or nosepiece.	Remove feed tube and dislodge screws.
Screws are too long.	Screws must not exceed 6" in length.
Nosepiece jaws are installed upside down.	Jaws must be installed with beveled edge facing upward.

POTENTIAL CAUSE	REMEDY
-----------------	--------

Drive shaft is broken.	Replace drive shaft.
------------------------	----------------------

Anti-jam mechanism is dirty or stuck.	Clean anti-jam mechanism. Check to see if springs are activating properly. Replace if needed.
---------------------------------------	---

PROBLEM: PLATE NOT SEATING TIGHTLY	
---	--

Improper depth adjustment.	Tighten the depth adjustment.
----------------------------	-------------------------------

Screw gun is in reverse.	Make sure switch is in forward position.
--------------------------	--

Incorrect drive bit, or worn/broken bit.	Check to make sure correct drive bit is installed. Replace worn or broken drive bits.
--	---

Nosepiece jaws are installed upside down.	Jaws must be installed with beveled edge facing upward.
---	---

Screw gun not properly installed or fully tightened.	Check screw gun; tighten if necessary.
--	--

Excessive build-up of material on wheels/casting.	Remove built-up material.
---	---------------------------

Obstruction in tubes and/or casting.	Check upper and lower tubes and casting, remove any obstructions.
--------------------------------------	---

PROBLEM: TOOL WILL NOT RETRACT INTO FULL UPWARD POSITION	
---	--

Operator is not allowing tool to fully retract.	Downward pressure on tool must be fully released after the plate has been fastened. Tool should "spring" up into correct position. If necessary, tug upwards.
---	---

Ejector blade or tubes are dirty.	Clean and oil ejector blade and tubes.
-----------------------------------	--

Nosepiece is bent or damaged.	Call 1-800-633-3800 for service. Do not attempt to remove nosepiece.
-------------------------------	--

Fastener wedged between feed tube and nosepiece.	Remove feed tube and clear fastener jam.
--	--

PROBLEM: TOOL IS SLUGGISH	
----------------------------------	--

Ejector blade needs lubricating.	Lubricate the ejector blade.
----------------------------------	------------------------------

Dirty upper and lower tubes, ejector blade, guides and drive bar slots.	Remove debris. Clean all parts with a degreaser and lubricate.
---	--

Upper and/or lower tubes are bent or damaged.	Replace worn or damaged tubes as needed.
---	--

Nosepiece retaining screw is worn or the nosepiece is damaged.	Call 1-800-633-3800 for service. Do not attempt to remove nosepiece.
--	--

If you have followed the recommendations above, but your problems persist, please call the OMG Roofing Products Technical Services Department at 1-800-633-3800.

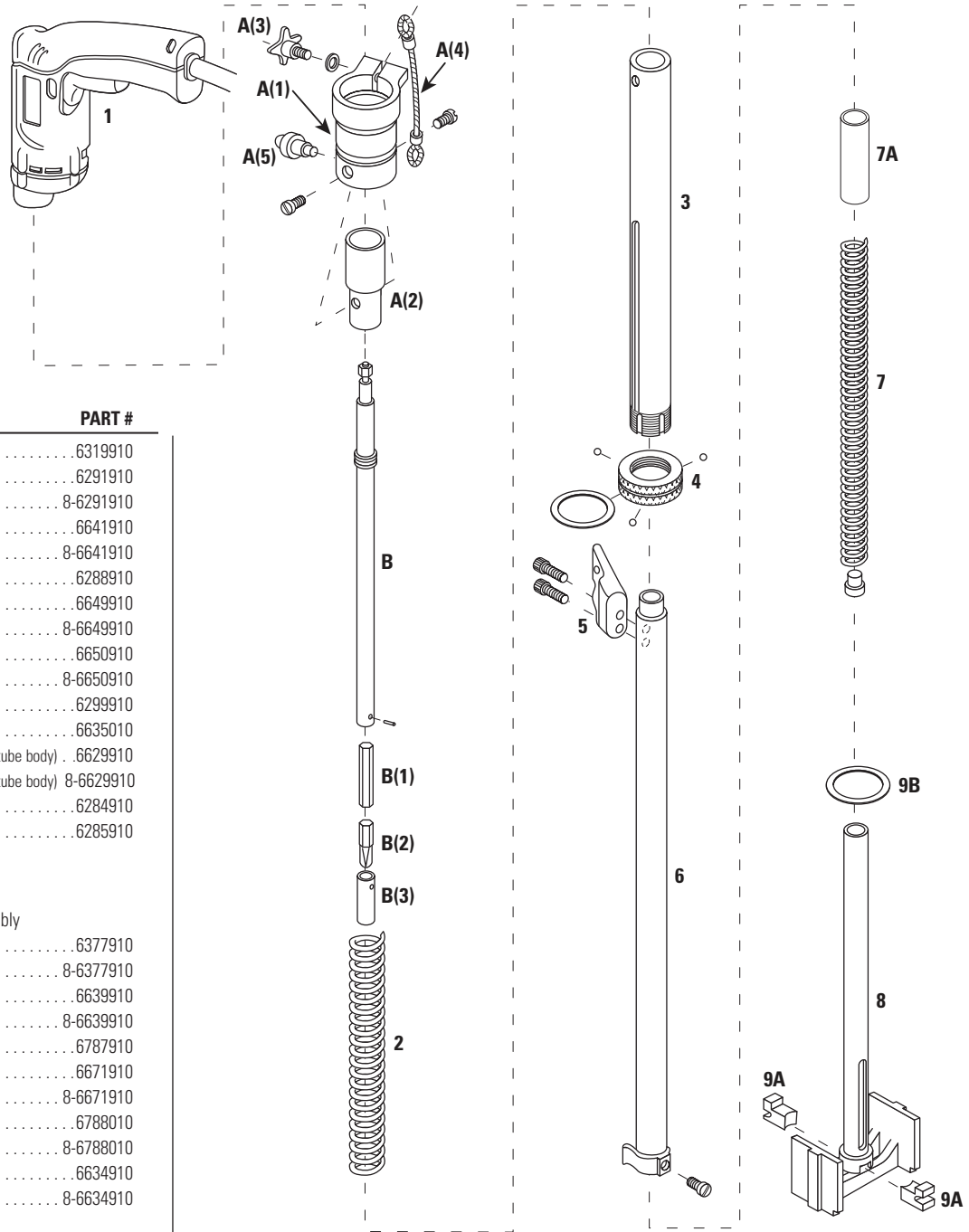
WARRANTY AND REMEDY

ALL WARRANTIES OF THE PRODUCTS DESCRIBED HEREIN, EXPRESS OR IMPLIED, INCLUDING THE WARRANTIES OF MERCHANTABILITY AND FITNESS FOR PARTICULAR PURPOSES ARE SPECIFICALLY EXCLUDED, EXCEPT FOR THE FOLLOWING: OMG Roofing Products will repair or replace, at its sole option, any tool part which within 90 days after sale by OMG Roofing Products or its distributors, is found by OMG Roofing Products to be defective in material or workmanship, normal wear and tear excluded.

THIS IS THE SOLE WARRANTY OF OMG ROOFING PRODUCTS AND THE SOLE REMEDY AVAILABLE TO DISTRIBUTOR OR BUYER.

PARTS BREAKDOWN – UPPER ASSEMBLY

Common for All Tools



KEY DESCRIPTION	PART #
1 Screw Gun, DeWalt, DW284.....	6319910
2 Upper Spring	6291910
*2 Upper Spring.....	8-6291910
3 Upper Tube Body	6641910
*3 Upper Tube Body	8-6641910
4 Depth of Drive Adjustment Knob.....	6288910
5 Feed Tube Mounting Assembly.....	6649910
*5 Feed Tube Mounting Assembly	8-6649910
6 Lower Tube Body (exterior)	6650910
*6 Lower Tube Body (exterior)	8-6650910
7 Lower Spring	6299910
7A Spring Spacer.....	6635010
8 Nosepiece (not removable from lower tube body) ..	6629910
*8 Nosepiece (not removable from lower tube body)	8-6629910
9A Nosepiece Jaws	6284910
9B O-Ring for Jaws	6285910

Assemblies

A Screw Gun Mounting Clamp Assembly	
A(1) Upper Mount	6377910
*A(1) Upper Mount	8-6377910
A(2) Nutless Mounting Collar	6639910
*A(2) Nutless Mounting Collar.....	8-6639910
A(3) Star Knob	6787910
A(4) Latch Cable	6671910
*A(4) Latch Cable	8-6671910
A(5) Bullet with Set Screw	6788010
*A(5) Bullet with Set Screw	8-6788010
B Universal Drive Shaft Assembly	6634910
*B Universal Drive Shaft Assembly	8-6634910
Includes Drive Shaft B(1), Spring Pin Hex Insert B(2), #3 Phillips Insert Bit and Phillips Cap	
B(1) Spring Pin Hex Insert.....	6606910
B(2) #3 Phillips Insert Bit.....	6624910
B(3) Phillips Cap	6637910
1.4" Length Reversible Hex Bit	6722910
#3 Square Drive Bit	6693910

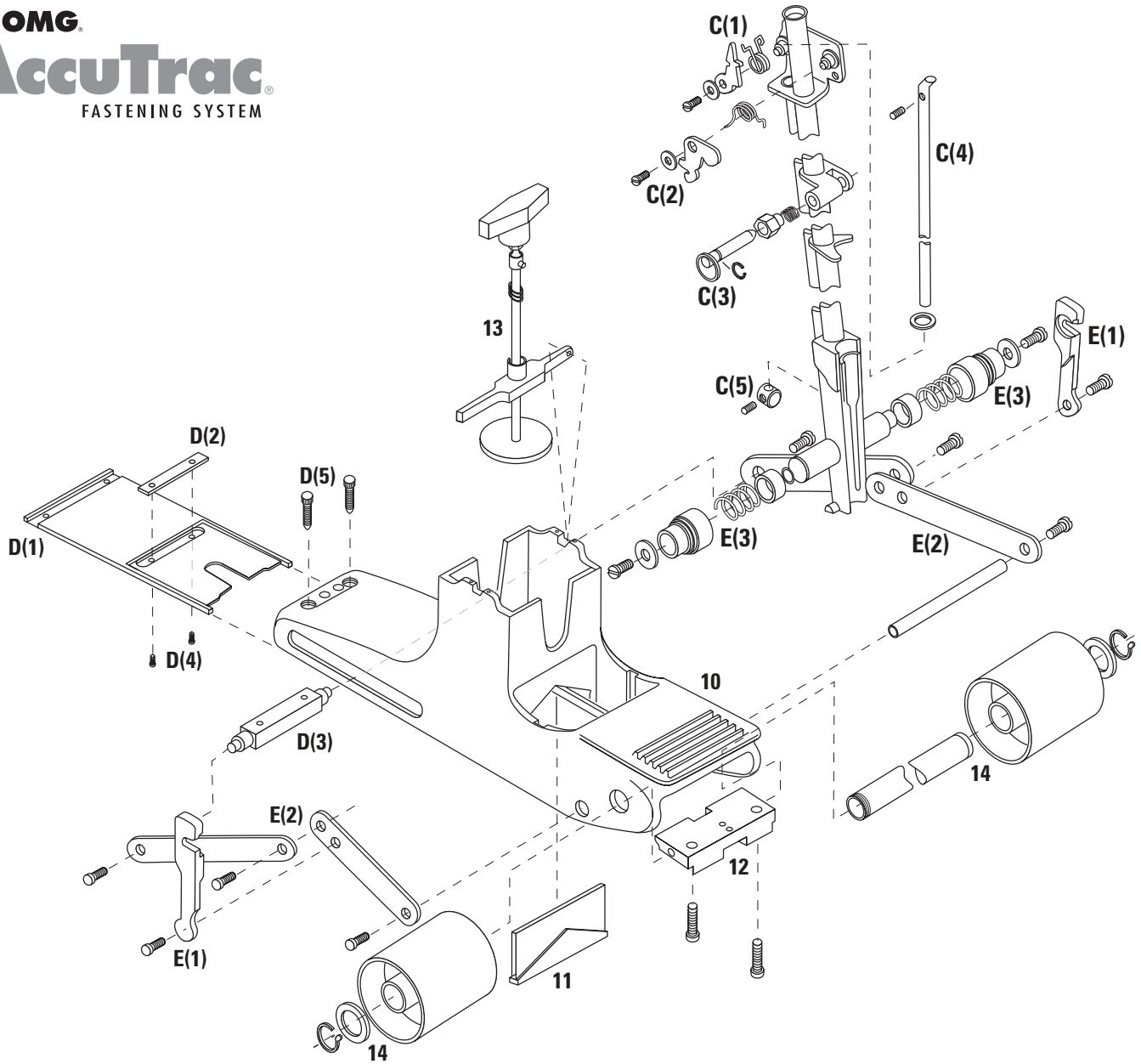
* For 8-in. tool

WARNING

All parts must be inspected periodically and replaced if worn or broken. Failure to do this can affect a product's operation and cause personal injury.



PARTS BREAKDOWN - LOWER ASSEMBLY

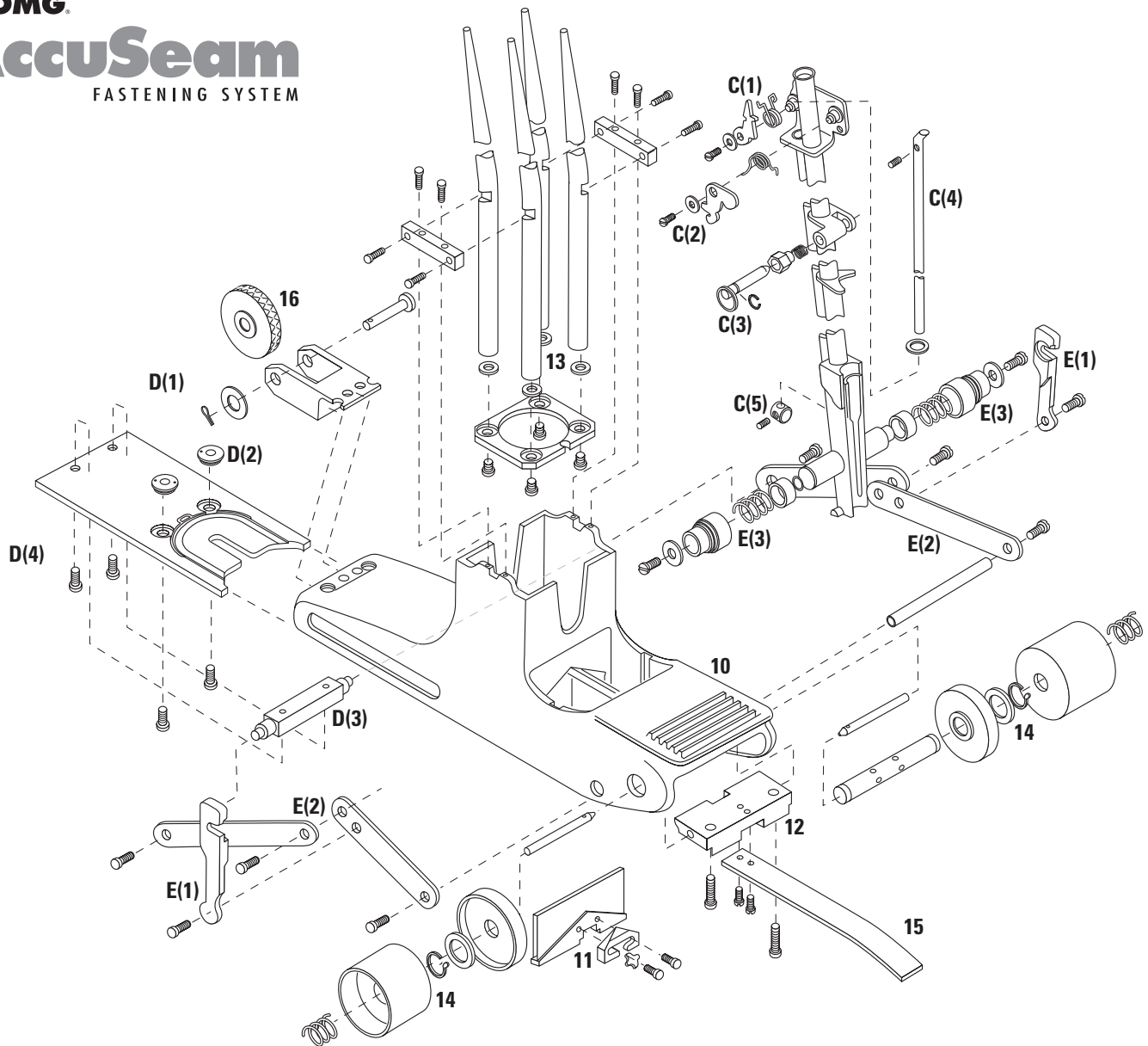


KEY DESCRIPTION	PART #	KEY DESCRIPTION	PART #	KEY DESCRIPTION	PART #
10 Base Casting	—	Assemblies		D(2) Ejector Blade Insert	.6640910
11 Gate	8310020	C Dual Lever Anti-Jam Feed Tube Assembly	.6791910	D(3) Ejector Blade Drive Bar	.6632910
12 Plate Stop	.6639920	*C Dual Lever Anti-Jam Feed Tube Assembly	8-6791910	D(4) Drive Bar Retaining Screws	.6645910
13 Flexible Plate Alignment Shaft	.6724910	C(1) Upper Anti-Jam Lever & Spring	.6784910	D(5) Socket Head Cap Screw, 1/4"-28 x 3/4"	.6643910
14 Rear Wheels with Axle	.6701910	C(2) Lower Anti-Jam Lever & Spring	.6785910	E Quick Release Linkage Assembly	.6700910
NA AccuTrac Case (not shown)	.6631910	C(3) Pull Pin & Spring (attaches Feed Tube to Upper Tube Body)	.6786910	*E Quick Release Linkage Assembly	8-6700910
		C(4) Lever Actuator Rod	.6788910	E(1) Upper Links	—
		*C(4) Lever Actuator Rod	8-6788910	E(2) Lower Linkage Bars	—
		C(5) Actuator Nub	.6790910	E(3) Sliding Bushings & Springs	—
		*C(5) Actuator Nub	8-6790910	• Bushings	.6691910
		D Ejector Blade Assembly, 3" Square	.6653910	• Bushings	8-6691910
		D(1) Ejector Blade Plate	.6675910	• Springs	.6692910
				• Springs	8-6692910

Complete Tool with Case..... 6626910

* For 8-in. tool

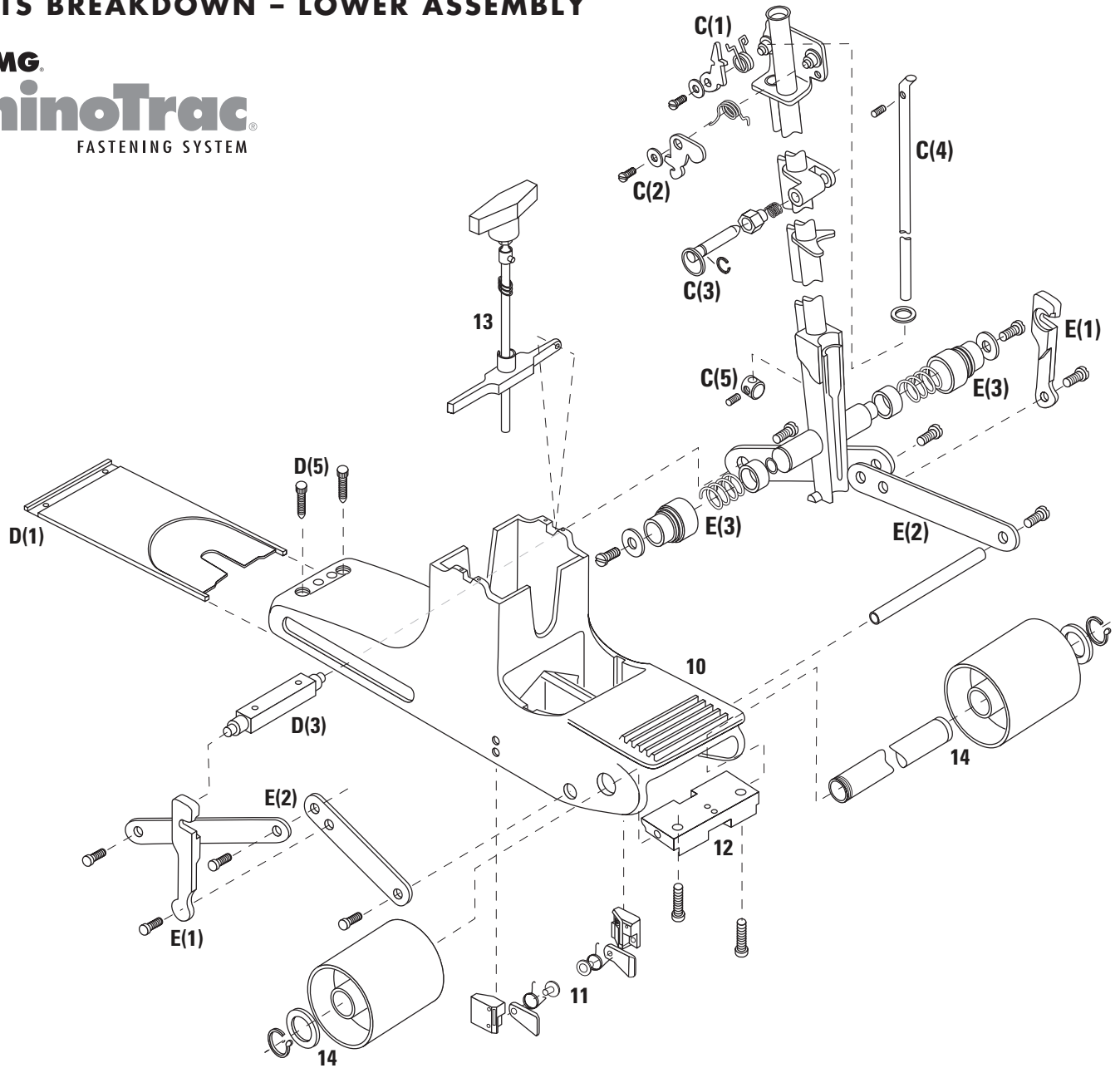
PARTS BREAKDOWN - LOWER ASSEMBLY



KEY DESCRIPTION	PART #	KEY DESCRIPTION	PART #	KEY DESCRIPTION	PART #
10 Base Casting	—	Assemblies		D(2) Ejector Blade Insert Discs	—
11 Gate with Plate Hold Mechanism	8320020	C Dual Lever Anti-Jam Feed Tube Assembly	6791910	D(3) Ejector Blade Drive Bar	—
12 Plate Stop	6639930	*C Dual Lever Anti-Jam Feed Tube Assembly	8-6791910	D(4) Drive Bar Retaining Screws	—
13 Plate Hold Rods & Assembly	—	C(1) Upper Anti-Jam Lever & Spring	6784910	E Quick Release Linkage Assembly	6700910
14 Removable Rear Wheels with Axle	6702910	C(2) Lower Anti-Jam Lever & Spring	6785910	*E Quick Release Linkage Assembly	8-6700910
15 Measuring Tail	—	C(3) Pull Pin & Spring (attaches feed tube to upper tube body)	6786910	E (1) Upper Links	—
16 Front Wheel with Axle and Bracket	—	C(4) Lever Actuator Rod	6788910	E(2) Lower Linkage Bars	—
NA AccuSeam Case (not shown)	6901910	*C(4) Lever Actuator Rod	8-6788910	E(3) Sliding Bushings & Springs	—
Complete Tool with Case	6908910	C(5) Actuator Nub	6790910	• Bushings	6691910
		*C(5) Actuator Nub	8-6790910	** Bushings	8-6691910
		D Ejector Blade Assembly, 2 3/8" Round	—	• Springs	6692910
		D(1) Ejector Blade Plate	6900910	** Springs	8-6692910

* For 8-in. tool

PARTS BREAKDOWN - LOWER ASSEMBLY



KEY DESCRIPTION	PART #	KEY DESCRIPTION	PART #	KEY DESCRIPTION	PART #
10 Base Casting	—	Assemblies		D Ejector Blade Assembly, 3" Round	.6653910
11A Left Gate	.833001	C Dual Lever Anti-Jam Feed Tube Assembly	.6791910	D(1) Ejector Blade Plate	.6685910
11B Right Gate	.833002	*C Dual Lever Anti-Jam Feed Tube Assembly	.6791910	D(3) Ejector Blade Drive Bar	.6632910
12 Plate Stop	.6639940	C(1) Upper Anti-Jam Lever & Spring	.6784910	D(5) Socket Head Cap Screw, ¼"-28 x ¾"	.6643910
13 Flexible Plate Alignment Shaft	.6726910	*C(1) Upper Anti-Jam Lever & Spring	.6784910	E Quick Release Linkage Assembly	.6700910
14 Rear Wheels with Axle	.6703910	C(2) Lower Anti-Jam Lever & Spring	.6785910	*E Quick Release Linkage Assembly	.6700910
NA RhinoTrac Case (not shown)	.6631910	C(3) Pull Pin & Spring (attaches Feed Tube to Upper Tube Body)	.6786910	E(1) Upper Links	—
		*C(4) Lever Actuator Rod	.6788910	E(2) Lower Linkage Bars	—
		C(4) Lever Actuator Rod	.6788910	E(3) Sliding Bushings & Springs	—
		*C(5) Actuator Nub	.6790910	• Bushings	.6691910
		C(5) Actuator Nub	.6790910	•• Bushings	.6691910
				• Springs	.6692910
				•• Springs	.6692910

Complete Tool with Case..... RTTOOL

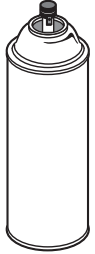
* For 8-in. tool

CLEANING AND MAINTENANCE PROCEDURES

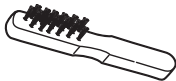
This procedure is a simple and effective way to clean your tool to maintain reliable operation. Regular cleaning and lubrication will also extend part life and ensure smooth operation.

NOTE: The illustrations show the AccuTrac tool, but the procedure is the same for AccuSeam and RhinoTrac.

NECESSARY SUPPLIES



Aerosol
"Safety Solvent"



Wire Brush



Putty Knife



Cloth Rag



Allen wrenches
($\frac{3}{8}$ " and $\frac{3}{16}$ ")

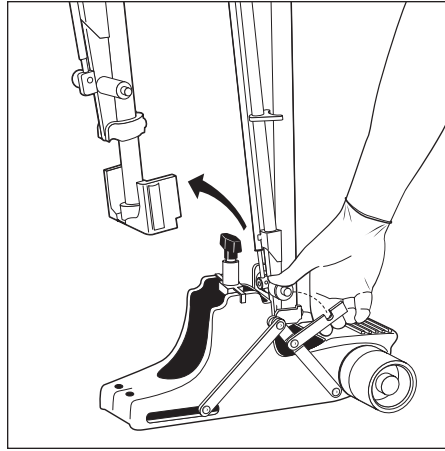


Teflon-based
lubricating oil,
i.e., Tri-Flow™

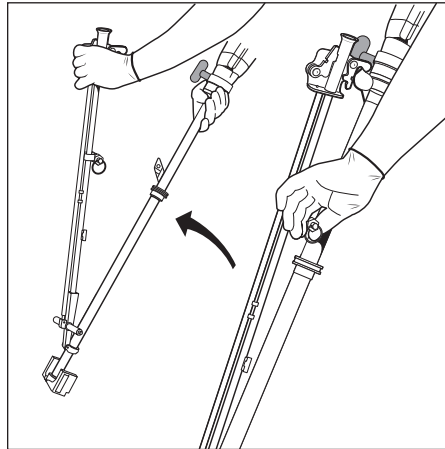


Loctite® Removable
Threadlocker
(Blue Loctite)

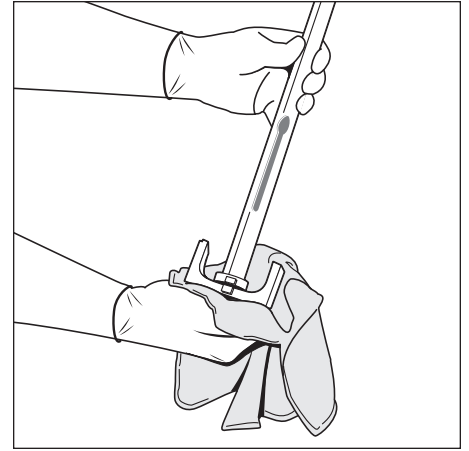
DISMANTLING THE TOOL FOR ROUTINE MAINTENANCE



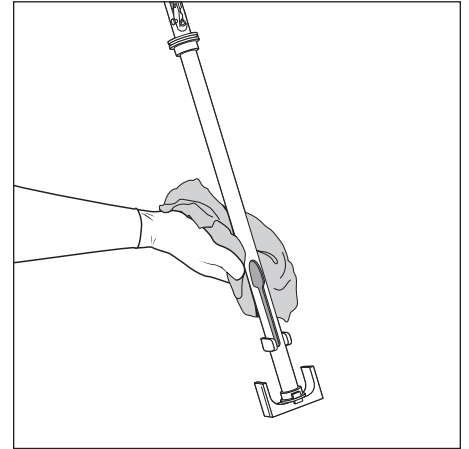
1. Disconnect the upper link from the feed tube assembly by sliding the metal bushings inward and push the upper link forward to disengage. Repeat the process for the opposite upper link. The tool can now be removed from the base by pulling up on the tool.



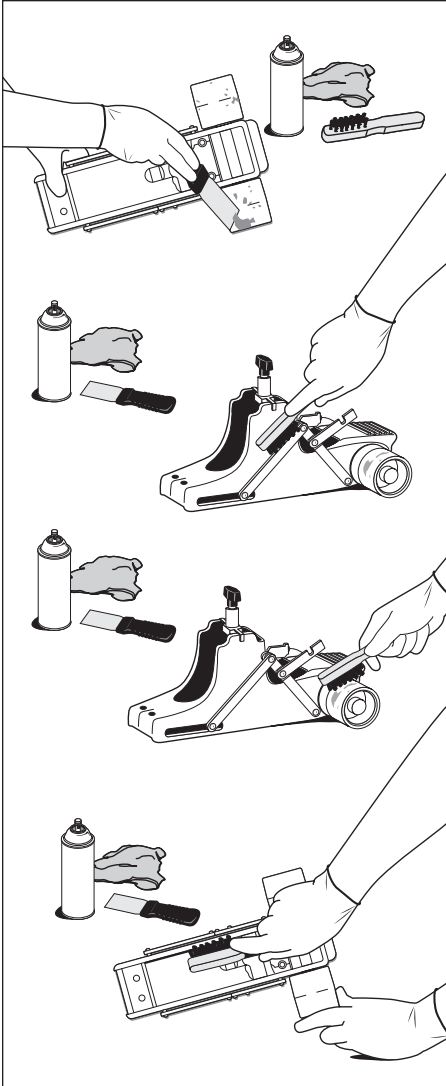
2. Once the tool is separated from the base you can remove the feed tube from the upper tube by pulling on the spring-loaded retention pin and separating it from the bracket on the upper tube. The feed tube should now release from the tool.



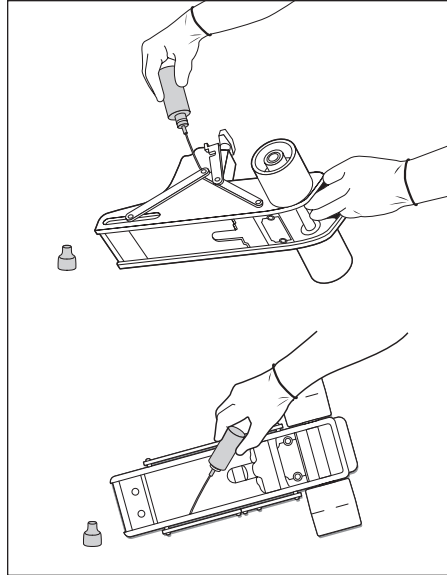
3. Wipe nosepiece with clean cloth.



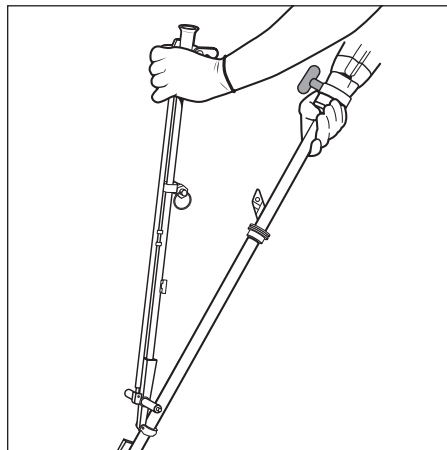
4. Wipe lower tube with clean cloth. ▶



5. Inspect the wheeled-base assembly for build-up of asphalt, adhesives or debris. Spray with safety solvent and remove foreign material from the linkage and track ejector blade. If your tool has been used for extended periods of operation or under extremely dirty operating conditions, it may be necessary to soak the wheeled-base assembly in a pan of safety solvent or parts cleaning tank.



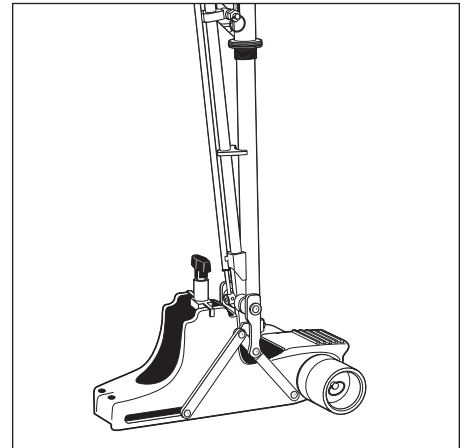
6. Prior to reassembling the tool, lubricate the **linkage** and **ejector blade track** using a Teflon-based lubricant, i.e., Tri-Flow™ making sure to wipe excess lubricant from tool.



7. Reassemble the tool by reversing disassembly procedures on previous page.

CAUTION

Feed tube must be properly hooked on lower tube casing to ensure proper tool operation. Incorrect assembly will lead to fastener misfeeds or overdriven fasteners.



8. Use Allen wrenches and (Blue) Loctite® to ensure that linkage screws are tightened securely.