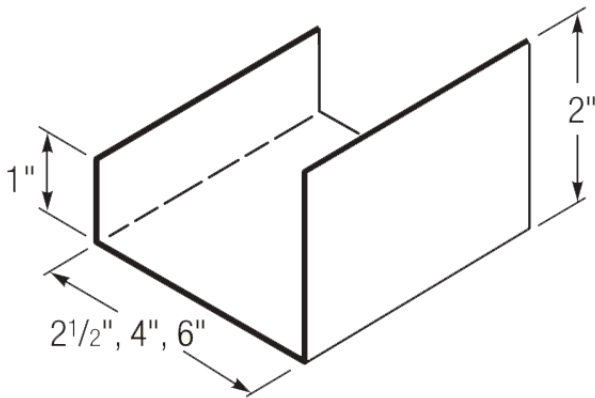


## USG Shaftwall 400CH20

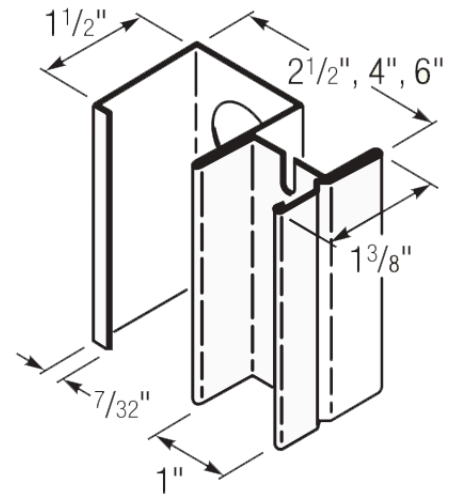
**Product Description** 4" CH STUD 20GA  
**Coating** G40

### Physical Properties

**Design Thickness (in)** 0.0359  
**Minimum Thickness (in)** 0.0341  
**Yield Strength (ksi)** 33



USG Steel J-Runner (JR)



USG Steel C-H Stud (CH)

### Gross Section Properties

Cross Sectional Area (A)	0.3433
Weight of Member (lb/ft)	1.243
Section Modulus (S <sub>x</sub> )	0.318
Moment of Inertia (I <sub>x</sub> )	0.73

### ASTM & Code Standards

- Studs and runners comply with ASTM C645
- Properties of steel framing members have been calculated in conformance with ANSI specification for the design of Cold-Formed steel structural members, 1996 edition

### Mill Steel Framing LEED Green Credits

- MR Credit 2** • ConstructionWaste Management – Mill Steel Framing steel framing is 100% recyclable
- MR Credit 4** • Recycled Content – Mill Steel Framing products contain no less than 25.5% post-consumer and 6.8% pre-consumer recycled content
- MR Credit 5** • Regional Materials – Mill Steel Framing has manufacturing facilities in Indiana, Alabama & Texas
- V4 MR Credits** • Building Product Disclosure and Optimization EPD (1 point)
- Materials Ingredients (1 point) – Construction and Demolition Waste Management (1 point)

