



BEAST® FORM STAKE

A STEGO INDUSTRIES, LLC INNOVATION | VERSION: JAN 28, 2025

1. PRODUCT NAME BEAST FORM STAKE

2. MANUFACTURER

Stego Industries, LLC
216 Avenida Fabricante, Suite 101
San Clemente, CA 92672
Sales, Technical Assistance
Ph: (877) 464-7834
contact@stegoindustries.com
stegoindustries.com



3. PRODUCT DESCRIPTION

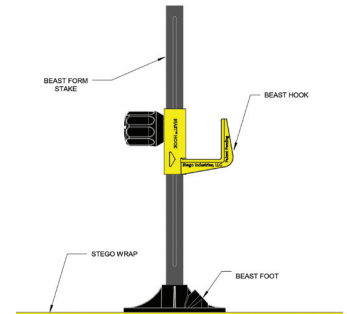
USES: Beast Form Stake is used with Beast® Foot as part of the Stego® vapor barrier-safe forming system. Beast Form Stake takes the place of traditional screed pad posts and can be used to hold a concrete form to the proper elevation in the vertical position, as well as a 45-degree lateral form brace. Beast Form Stake uses SpeedTrack™ Fastening Grooves along 4 sides of the stake to accommodate a duplex nail or a self-tapping screw. The 18” working length of Beast Form Stake should allow for a maximum top of form height of 12”, (above the vapor barrier in the bracing configuration).

ADDITIONAL USES (see illustration on the right): Beast Form Stake can be used with Beast Foot and Beast® Hook as part of a vapor barrier-safe 2x4 screed system.

COMPOSITION: Beast Form Stake is designed and manufactured in the USA from 100% virgin ABS.

SIZE: Beast Form Stake is 3/4” diameter by 18” in length. Form Stakes are shrink wrapped in sleeves of 10 and packaged 100 per box.

ENVIRONMENTAL FACTORS: Beast Form Stake is a re-usable component.



4. TECHNICAL DATA

TABLE 1: PHYSICAL PROPERTIES OF BEAST FORM STAKE

PROPERTY	DATA
Overall Length	18"
Diameter	3/4"
Fastening Grooves	Duplex Nail (Up to 8D) or Self-Tapping Screw (Up to #8)
Internal Thread – (Attaches to Beast Foot)	1/2"-13 NC Thread – (Approximately 2 Full Turns)
Weight	Approximately 0.22 lb

5. INSTALLATION

PREPARATION:

- Locate a suitable area where Beast Feet will best support formwork.
- To allow for maximum adhesion of Beast Foot, make sure the area is free of all dust, dirt, debris, moisture, and frost.

BEAST® FORM STAKE

A STEGO INDUSTRIES, LLC INNOVATION | VERSION: JAN 28, 2025

5. INSTALLATION *CONTINUED...*

FORMWORK:

- Beast Form Stake is designed to replace traditional steel screed pad posts and to complement the Stego vapor barrier-safe forming system.
- To hold the formwork to the proper elevation, after Beast Foot has been adhered to the vapor barrier, insert Beast Form Stake into the press-fit center hub on Beast Foot and use screw(s) or duplex nail(s) inserted through the SpeedTrack Fastening Grooves to hold the form in place.
- To secure the formwork against lateral movement, after Beast Foot has been adhered to the vapor barrier, fully rotate Beast Form Stake in a clockwise direction onto the threaded Side Boss of Beast Foot (approximately 2 turns) and use a screw(s) or duplex nail(s) inserted through the fastening grooves to secure the form in place.

STRIPPING FORMWORK:

- Once concrete is firm enough to hold its own shape, Beast Form Stakes may be removed for reuse.
- For vertical applications, remove screw(s) or nail(s) from formwork and pull Beast Form Stake straight up and out of the concrete. Fill and repair the void if needed.
- For lateral bracing applications, remove screw or nail from formwork and rotate Beast Form Stake in a counterclockwise direction. Once free from threads, remove from the concrete. Fill and repair the void if needed.

For additional information, please refer to Beast's complete installation instructions.

6. AVAILABILITY & COST

Beast Form Stake is available through our network of building supply distributors. For current cost information, contact your local Beast® Concrete Accessories distributor or Stego® Sales Representative.

7. WARRANTY

Stego believes to the best of its knowledge, that specifications and recommendations herein are accurate and reliable. However, since site conditions are not within its control, Stego does not guarantee results from the use of the information provided and disclaims all liability from any loss or damage. NO WARRANTY, EXPRESS, IMPLIED OR STATUTORY, IS GIVEN AS TO THE MERCHANTABILITY, FITNESS FOR A PARTICULAR PURPOSE, OR OTHERWISE WITH RESPECT TO THE PRODUCTS REFERRED TO. Please see stegoindustries.com/legal

8. MAINTENANCE AND STORAGE

Maintenance: The SpeedTrack Fastening Grooves of Beast Form Stake should be kept free from excess concrete buildup.

Storage and Handling: Store in cool, dry conditions.

Please refer to the Safety Data Sheet (SDS) for detailed safety, storage, and handling procedures.

9. TECHNICAL SERVICES

Technical advice, custom CAD drawings, and additional information can be obtained by contacting Stego or by visiting the website.

Email: contact@stegoindustries.com

Contact Number: (877) 464-7834

Website: stegoindustries.com

10. FILING SYSTEMS: stegoindustries.com

