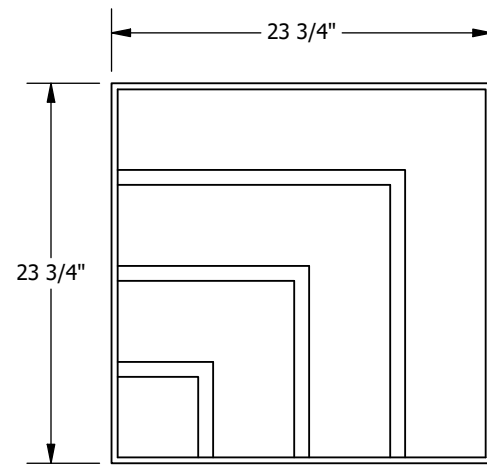
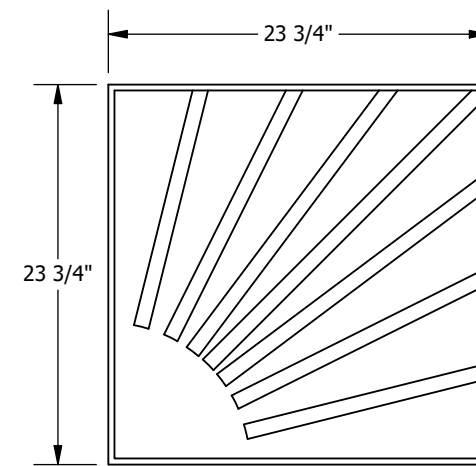


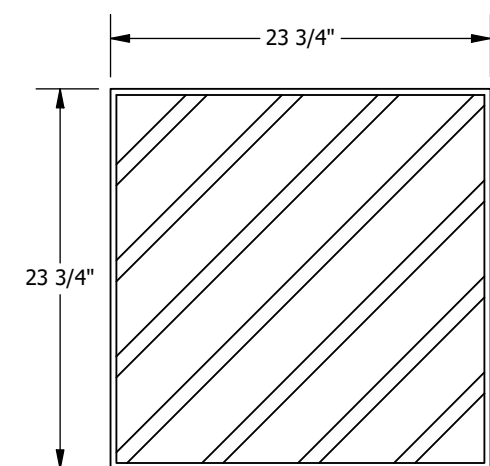
BP8186D03T10
Arcs Tegular Ceiling Panel



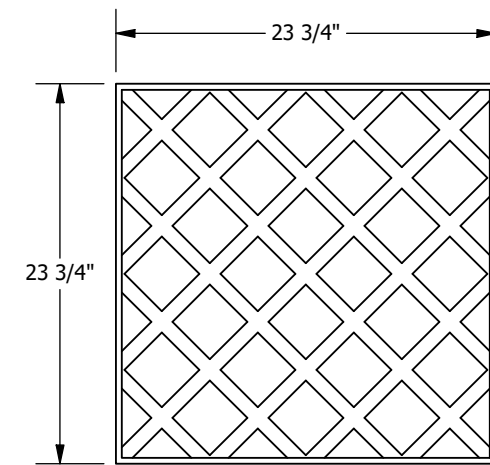
BP8186D07T10
Steps Tegular Ceiling Panel



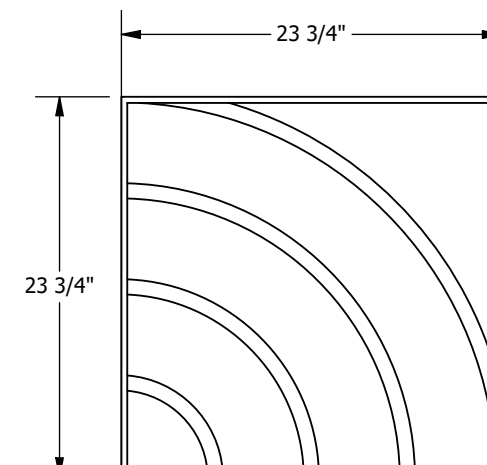
BP8186D05T10
Rays Tegular Ceiling Panel



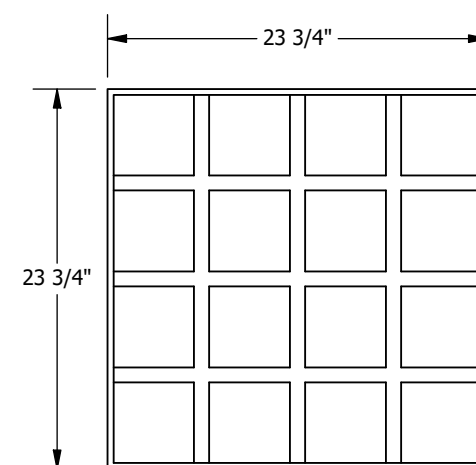
BP8186D02T10
Tilts Tegular Ceiling Panel



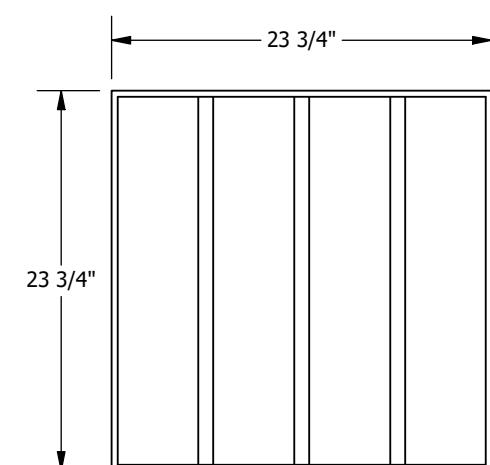
BP8186D01T10
Hatches Tegular Ceiling Panel



BP8186D04T10
Rings Tegular Ceiling Panel



BP8186D06T10
Checkers Tegular Ceiling Panel



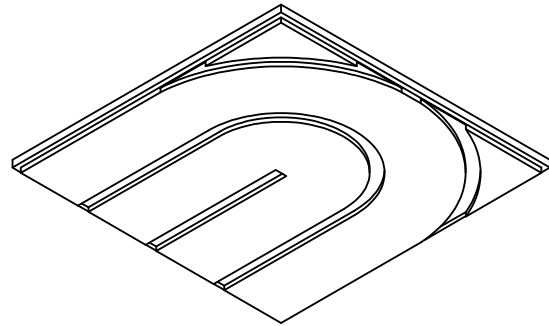
BP8186D08T10
Bands Tegular Ceiling Panel



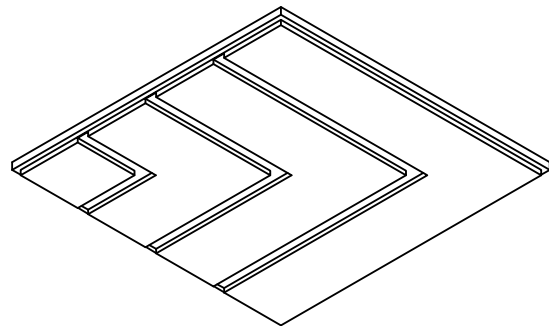
Tectum DesignArt Lines - Tegular Ceiling Panels

DRAWN BY: MAD DATE: 9/20/2021 PD

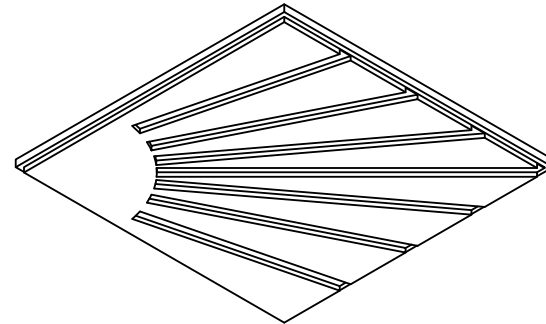
These drawings show typical conditions which the Armstrong products depicted are installed. They are not a substitute for an architect's or engineer's plan and do not reflect the unique requirements of local building codes, laws, statutes, ordinances, rules and regulations (Legal Requirements) that may be applicable for a particular installation. Armstrong does not warrant, and assumes no liability for the accuracy or completeness of the drawings for a particular installation or their fitness for a particular purpose. The user is advised to consult with a duly licensed architect or engineer in the particular locale of the installation to assure compliance with all legal requirements. Armstrong is not licensed to provide professional architecture or engineering design services.



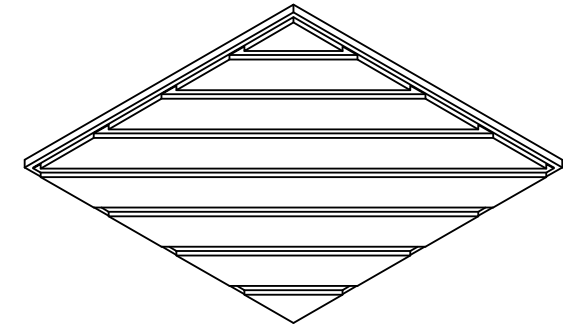
BP8186D03T10
Arcs Tegular Ceiling Panel



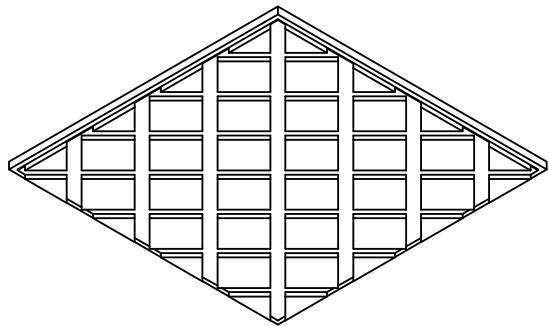
BP8186D07T10
Steps Tegular Ceiling Panel



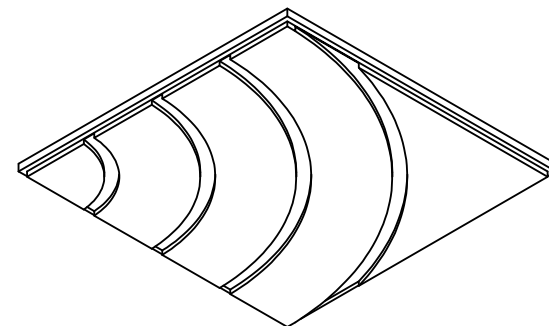
BP8186D05T10
Rays Tegular Ceiling Panel



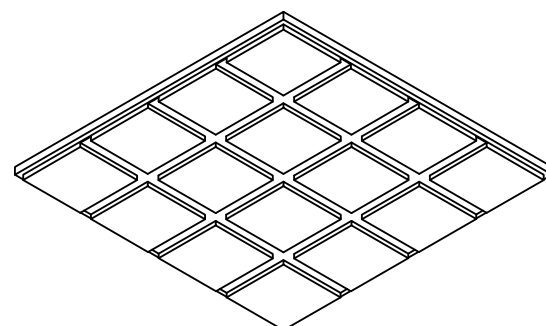
BP8186D02T10
Tilts Tegular Ceiling Panel



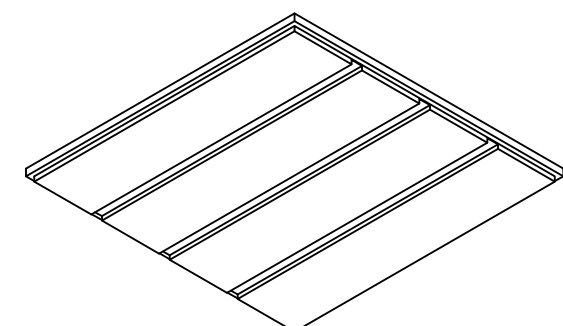
BP8186D01T10
Hatches Tegular Ceiling Panel



BP8186D04T10
Rings Tegular Ceiling Panel



BP8186D06T10
Checkers Tegular Ceiling Panel



BP8186D08T10
Bands Tegular Ceiling Panel



Tectum DesignArt Lines - Tegular Ceiling Panels

DRAWN BY: MAD DATE: 9/20/2021 PD

These drawings show typical conditions which the Armstrong products depicted are installed. They are not a substitute for an architect's or engineer's plan and do not reflect the unique requirements of local building codes, laws, statutes, ordinances, rules and regulations (Legal Requirements) that may be applicable for a particular installation. Armstrong does not warrant, and assumes no liability for the accuracy or completeness of the drawings for a particular installation or their fitness for a particular purpose. The user is advised to consult with a duly licensed architect or engineer in the particular locale of the installation to assure compliance with all legal requirements. Armstrong is not licensed to provide professional architecture or engineering design services.