

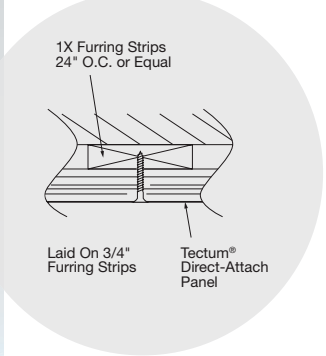
TECTUM® Direct-Attach  
TECTUM Direct-Attach  
High NRC  
Acoustical Ceiling Panels  
coarse texture



**FAST 134**  
Select Items Ship Fast  
armstrongceilings.com/fast134



CAD/Revit® drawings at:  
armstrongceilings.com/cadrevit



**TECTUM® CREATE!™**  
CUSTOM CEILING AND WALLS



Tectum Direct-Attach 2' x 8' panels in White and FrameAll™ drywall grid

armstrongceilings.com/tectumcreate

Tectum® Direct-Attach and Direct-Attach High NRC ceiling panels provide durable, sustainable, acoustical options for a wide variety of applications.

**KEY SELECTION ATTRIBUTES**

- Tectum Direct-Attach panels now have UL® Certified acoustics with acoustical testing and reporting that align with industry-wide best practices
- Tectum Direct-Attach High NRC panels have a proprietary factory-applied acoustical backer, adding sound absorption that is certified by UL
- CleanAssure™ family of products – includes disinfectable panels, suspension systems, and trim (standard colors only)
- Select products included in the FAST134 program – ready to ship in 4 weeks or less
- Sustainable Beyond Standard: Custom sizes in 1" thickness and all standard panels are part of the Sustain® portfolio and meet the most stringent industry sustainability compliance standards today
- Install 1"-thick Tectum® Direct-Attach on Trusses and I-Beams for added acoustics while maintaining an exposed structure visual on the deck
- Long edges beveled, short edges beveled available as a standard option
- Great retrofit solution for noise reduction
- Excellent sound absorption – NRC up to 0.85 (1" panel, C-40 Mounting)
- Can be field painted up to 6 times without impacting acoustic or fire performance
- Variety of made-to-order color options available
- Can be mechanically fastened to a wide variety of surfaces including masonry, drywall, drywall grid system, wood, trusses, I-Beams, and more
- USDA Biobased content: 98%
- Made in the U.S.A. of domestic and global content
- Build America, Buy America (BABA) Act compliant

**COLORS** Due to printing limitations, shade may vary from actual product.



\* For Tectum Direct-Attach only. Colors that are pre-qualified to meet Sustain portfolio requirements are available upon request. Other made-to-order colors must be evaluated if sustainability criteria is required. Lead time will increase.

**DETAILS**



1. Tectum Direct-Attach panel in White (TWH)
2. Tectum Direct-Attach panel in White (TWH)
3. Tectum Direct-Attach High NRC panel with proprietary acoustical backer

# TECTUM® Direct-Attach TECTUM Direct-Attach High NRC Acoustical Ceiling Panels coarse texture



For LEED contribution contact TechLine



LOCATION DEPENDENT

## VISUAL SELECTION

Item No. ♦	Dimensions W x L x H (Inches)
TECTUM® Direct-Attach Ceiling Panels (FSC® Certified)	23-3/4 × 48 × 1"
Long Edges Beveled/Short Edges Square	23-3/4 × 96 × 1"
Long Edges Beveled/Short Edges Beveled*	47-3/4 × 96 × 1"
Other Size Panels	W 23-3/4" - 48" L: 12" - 144" 1", 1-1/2", or 2" thickness

## PERFORMANCE

Dots represent high level of performance.

Fire Rating	Light Reflect	Anti-Mold/Mildew	Sag Resist	Certified Low VOC Emissions	CleanAssure™ Disinfectable Panels	DURABILITY	30-Yr Warranty
Class Up to A	Up to 0.75	*	*	*	Fog	Impact	Scratch
Class Up to A	Up to 0.75	*	*	*	*	*	*
Class Up to A	Up to 0.75	*	*	*	*	*	*
Class Up to A	Up to 0.75	*	*	*	*	*	*
Class Up to A	Up to 0.75	*	*	*	*	*	*
Class Up to A	Up to 0.75	N/A	N/A	N/A	*	*	*

## ACOUSTICAL INFORMATION

Panel Thickness	UL Classified Acoustics NRC	Mounting Method
1"	0.40	A
	0.45	D-20
	0.80	C-20
1-1/2"	0.85	C-40
	0.50	A
	0.55	D-20
2"	0.90	C-20
	0.90	C-40
	0.65	A
	0.70	D-20
	0.95	C-20
	1.00	C-40



FAST134 program items ready to ship from manufacturer in 4 weeks or less. Up-to-date lead times and product options (sizes and colors) at [armstrongceilings.com/fast134](http://armstrongceilings.com/fast134)

♦ When specifying or ordering, include the appropriate 3-digit color suffix TNA = Natural TWH = White (e.g. 8182T10 I W H)  
\* Four-sided beveled edge panels are recommended in adjoining panel installations.

## ACCESSORIES See next page for full list of accessories.

## PHYSICAL DATA

**Material**  
Cementitious Wood Fiber; Tectum High NRC panels have an acoustical fleece.

**Surface Finish**  
Factory-applied latex paint on abuse-resistant silicate surface coating. Natural finish is unpainted but, after coating is applied, panels may appear light in color.

Panels are painted on the edge, however due to fibrous texture of panels, certain angles and lighting conditions will make edge appear less or more painted.

Can be field painted up to 6 times without impacting acoustic or fire performance. See installation instructions for details on paint and application method.

**Fire Performance**  
Class A per IBC. Flame Spread Index 25 or less and Smoke Developed Index 50 or less when tested in accordance with ASTM E84.

CAN/ULC S102 surface burning characteristics. Flame Spread Index of 25 or less and Smoke Developed Index of 50 or less.

**VOC Emissions**  
Third-party certified compliant with California Department of Public Health CDPH/EHLB/Standard Method Version 1.2, 2017. This standard is the guideline for low emissions in LEED®, WELL Building Standard™, CalGreen Title 24, ANSI/ASHRAE/USGBC/IES Standard 189; ANSI/GBI Green Building Assessment Protocol.

**Humidity/Sag Resistance**  
HumiGuard® Plus performance panels are recommended for areas subject to high humidity, up to, but not including, standing water and outdoor applications.

**Anti-Mold/Mildew**  
Ceiling panels with BioBlock® performance resist the growth of mold and mildew on the panel surface.

**Installation Considerations**  
Panels must be mechanically attached to approved substrate per installation instructions. To achieve proper finished visual, panels should be installed in an ashlar pattern. Four-sided beveled edge panels are recommended in adjoining panel installations.

Use caution and wear appropriate hand, eye, and dust mask protection when cutting and installing Tectum panels. Refer to installation instructions for complete details and cutting recommendations.

**Primary (Embodied) Energy**  
See all LCA information on our EPDs.

**Application Considerations**  
Color variation among panels is common due to the natural characteristics of the wood on White and Natural panels.

Wood fibers may appear orange on natural-colored panels due to the characteristics of the wood.

**Design Considerations**  
Maximum panel size for Truss and I-Beam application is 24 × 48 × 1".

**Seismic Restraint**  
Tectum Direct-Attach panels are approved for application in all seismic areas when installed per the seismic guidelines in the Armstrong® installation instructions.

**Design & Pre-Construction Service**  
For complimentary design and pre-construction assistance, contact ProjectWorks® or visit [armstrongceilings.com/projectworks](http://armstrongceilings.com/projectworks)

**Cleaning and Disinfecting**  
Cleaning and CDC approved disinfecting options available on [armstrongceilings.com/cleaning](http://armstrongceilings.com/cleaning)

**Warranty**  
30-Year Warranty. Details at [armstrongceilings.com/warranty](http://armstrongceilings.com/warranty)

**FAST134 Program Considerations**  
Size of Job Matters: Big jobs over 2500 SF, or 50 pieces for shapes/vertical elements, will have longer lead times.

Location Matters: Transit time not included. We are ready to ship in 1 week on FAST1 items. However, transit to the states west of Wyoming may add time.

Distributor Truck Schedule Matters: We rely on distribution to help move products around the country. FAST1 (stocked items) will go through distribution and depend on distributor truck schedules.

Stock vs Made-to-Order Matters: FAST3 & FAST4 items are made-to-order and will ship direct to distributor. FAST1 (stocked items) will go through distribution and depend on distributor truck schedules.

**Weight, Pcs and SF/Pallet**  
1" - 1.65 lbs/SF 1-1/2" - 2.53 lbs/SF  
2" - 3.3 lbs/SF

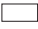



8180T10, 8173T10 - 36 pcs/pallet; 1,152 SF/pallet  
8181T10, 8174T10 - 72 pcs/pallet; 1,152 SF/pallet  
8182T10, 8175T10 - 72 pcs/pallet; 572 SF/pallet  
5338W4L08T10, 5338W4L04T10, 5338W2L08T10, 5338W2L04T10 - sold by the piece



# TECTUM® Direct-Attach TECTUM Direct-Attach High NRC

Acoustical Ceiling Panels  
coarse texture

## VISUAL SELECTION

Item No. ◆	Dimensions W x L x H (Inches)
TECTUM Direct-Attach High NRC Ceiling Panels	5338W2L04T10_ _ _ 23-3/4 x 48 x 1" 
Long Edges Beveled/Short Edges Square	5338W4L04T10_ _ _ 47-3/4 x 48 x 1" 
	5338W2L08T10_ _ _ 23-3/4 x 96 x 1" 
	5338W4L08T10_ _ _ 47-3/4 x 96 x 1" 

◆ When specifying or ordering, include the appropriate 3-digit color suffix TNA = Natural TWH = White (e.g. 8182T10 I W H)  
\* Four-sided beveled edge panels are recommended in adjoining panel installations.

## PERFORMANCE

Dots represent high level of performance.

Fire Rating	Light Reflect	Anti-Mold/Mildew	Sag Resist	Certified Low VOC Emissions	CleanAssure™ Disinfectable Panels	DURABILITY	30-Yr Warranty
Class Up to A	Up to 0.75	*	*	*	*	Impact Scratch	*
Class Up to A	Up to 0.75	*	*	*	*	Impact Scratch	*
Class Up to A	Up to 0.75	*	*	*	*	Impact Scratch	*
Class Up to A	Up to 0.75	*	*	*	*	Impact Scratch	*

## ACOUSTICAL INFORMATION

Panel Thickness	UL Classified Acoustics	Mounting Method
1" High NRC	0.60	D-20

## ACCESSORIES

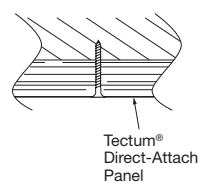
Item No. ◆	Description	Quantity	Item No. ◆	Description	Quantity
1222	Truss Fastening Kit – Field Paintable	20/ctn	8187L16_ _ _	#6 x 1-5/8" Painted Head – Sharp point Screws	1000/ctn
1222WH	Truss Fastening Kit White	20/ctn	8188L16_ _ _	#6 x 1-5/8" Painted Head – Drill point Screws	1000/ctn
1222BL	Truss Fastening Kit Black	20/ctn	8189L22_ _ _	2-1/4" Painted Head – CMU Screws	500/ctn

◆ When specifying or ordering, include the appropriate 3-digit color suffix  
TNA = Natural; TWH = White (e.g. 8187L16 I W H) Consult installation instructions for fastener guidance.

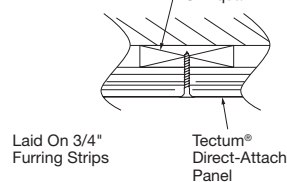
NOTE: Projects may require alternative screw lengths and types depending on site conditions. Please consult installation instructions for guidance.

## ACOUSTICAL MOUNTING METHODS

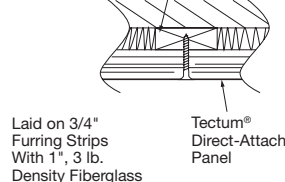
Mounting A



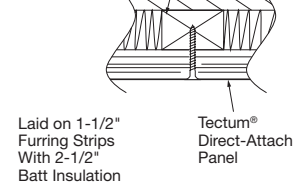
Mounting D-20



Mounting C-20



Mounting C-40

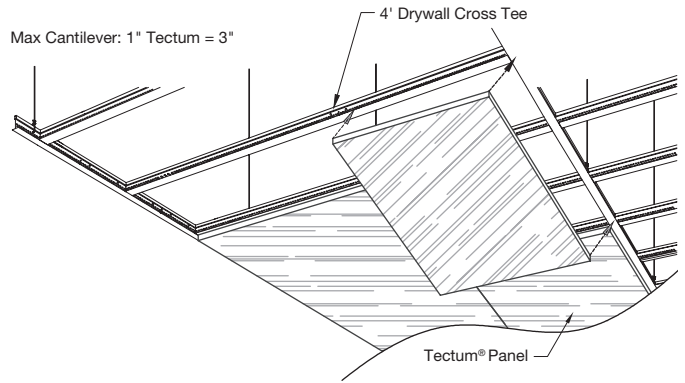
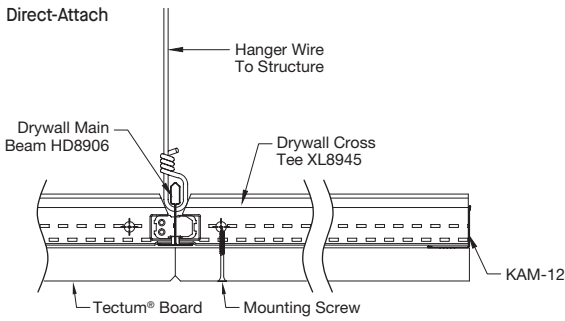


# TECTUM® Direct-Attach TECTUM Direct-Attach High NRC

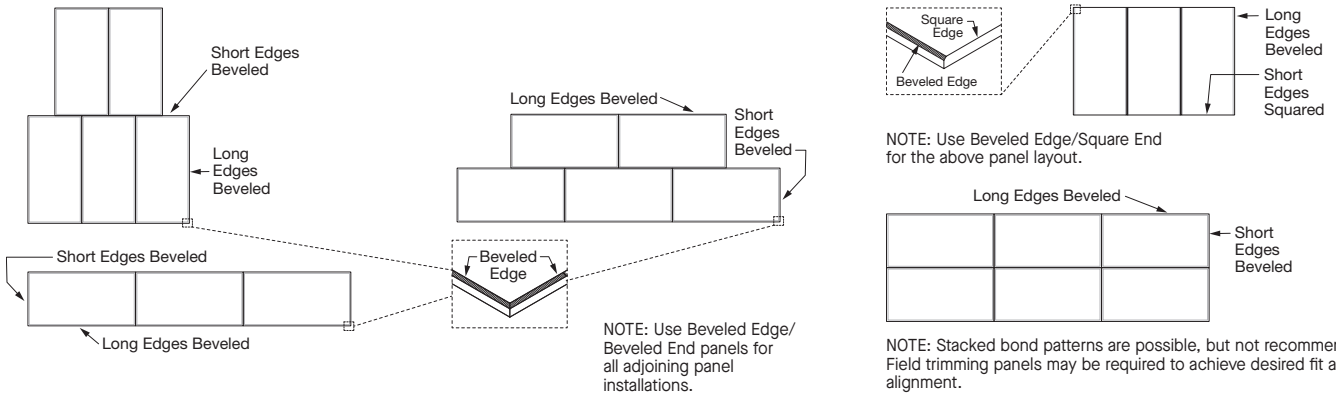
Acoustical Ceiling Panels  
coarse texture

## DRYWALL GRID SYSTEM MOUNTING METHOD

### Direct-Attach

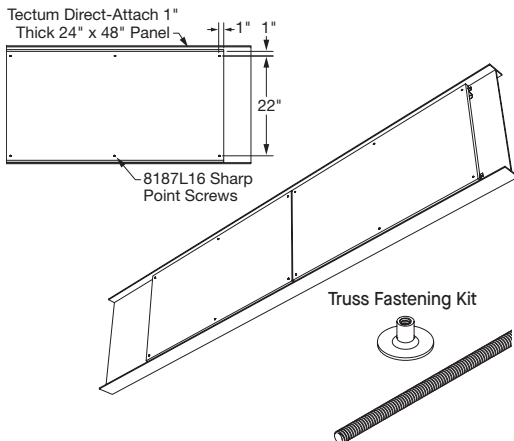
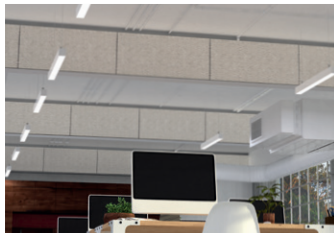


### EDGE DETAIL



## I-BEAM AND TRUSS INSTALLATION

### I-Beam Installation



### Truss Installation

