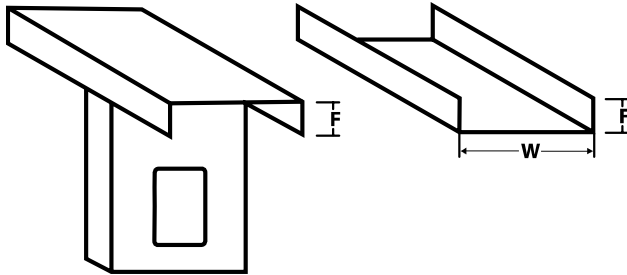


ACCESSORIES

Allowable Working Values for Low Velocity Fasteners into Steel (Pounds)



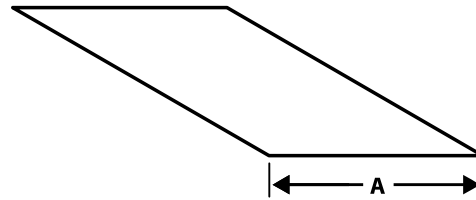
Product Data:

- Designation: CLT or VST Width x Gauge
- Widths: Multiple Sizes and Gauges available
- Gauge: Multiple Sizes available
- Lengths: Standard 10'

Uses:

- CLT used for standard stick built construction with channel or bracing attached within 2' of track member to each stud.
- For attachment at top of infill curtain wall systems to primary frame; allows for one half inch of live load deflection or settlement of the primary frame without transferring the load to the exterior wall while bracing the wall against lateral forces.
- Variable width and height for track-in-track applications such as panel construction.

(FS) Flat Strapping



Product Data:

- Designation: Width-FS- Gauge
 - o Ex 2" FS- 20Ga
- Stock widths: 2", 4", 6"
- Custom Widths are available in increments of even inches.
 - o Examples: 1.5, 2, 3, 4, 5, 6, 7, 8, 9, 10, 11, 12, 13, 14, 15, 16, 17, 18, 19, 20, 21, 22, 23, 24, 25, 26, 27, 28, 29, 30, 31, 32, 33, 34, 35, 36, 37, 38, 39, 40, 41, 42, 43, 44, 45, 46, 47, 48"
- Length: 10' Standard (Alt. Lengths Available, ie. 8')
- Gauges:
 - o 33KSI: 25, 22, 20, 20S & 18 gauge
 - o 50KSI: 20S, 22, 16, 14 & 12 gauge
- Coating:
 - o Drywall: Standard G-40 Hot Dipped Galvanized.

Also Available in G-60 and G-90

- o Structural: G-60 Hot Dipped Galvanized. Also Available in G-60 and G-90

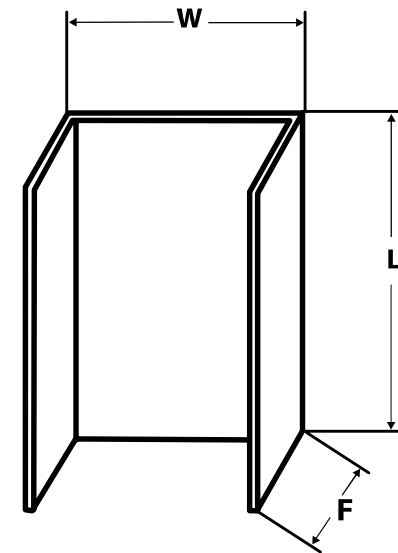
- Meets applicable ASTM's for Structural and Drywall applications:
 - o ASTM- A1003, A-653, A924, C-645, C754, C955, C1007

Uses

Provides tension force resistance in shear wall assemblies.

- Backing plates for fixtures, railings and where ever additional pullout strength is required.
- Resists racking of prefabricated wall assemblies while handling, transporting, and erecting.

(WS) Web Stiffeners



Product Data:

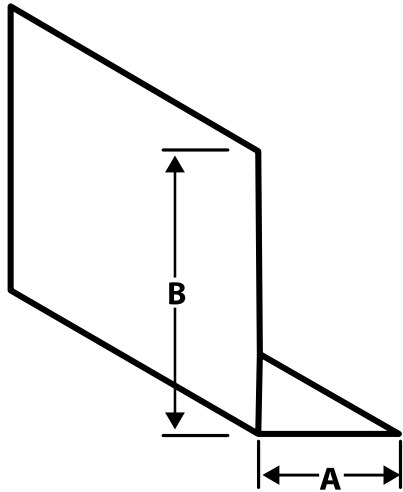
- Designation: WS W x F x gauge.
- Length: 4, 6, 7-1/4, 8, 9-1/4, 10, 12 inch
- Galvanized finish
- For axial capacities contact Telling Industries Engineering

Uses:

- For web reinforcement of C shaped framing members
- Allow transfer of axial loads through joists at bearing conditions of platform frames

ACCESSORIES

(RA) Rolled Angles



Product Data:

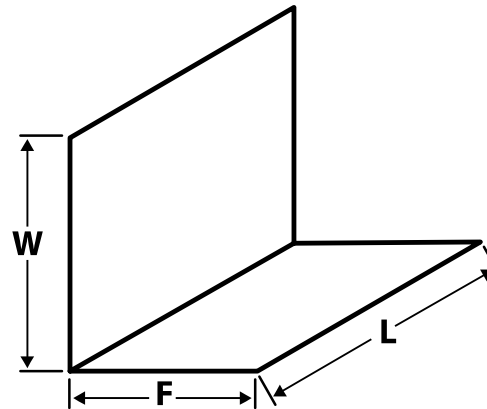
- Available in most sizes, lengths, and gauges.

Uses:

- For 90 degree corner enclosures at lapped framing location; provides in-plane stability of framework.

(A&B) Product	Gauges	Length
7/8" x 1-3/8"	25, 22, 20, 18	10'
1-5/8" x 1-5/8"	25, 22, 20, 18, 16	10'
2" x 2"	25, 22, 20, 18, 16, 14	10'
3" x 3"	20, 18, 16, 14, 12	10'
2" x 4"	20, 18, 16, 14, 12	10'
3" x 6"	20, 18, 16, 14, 12	10'

(CA) Clip Angles



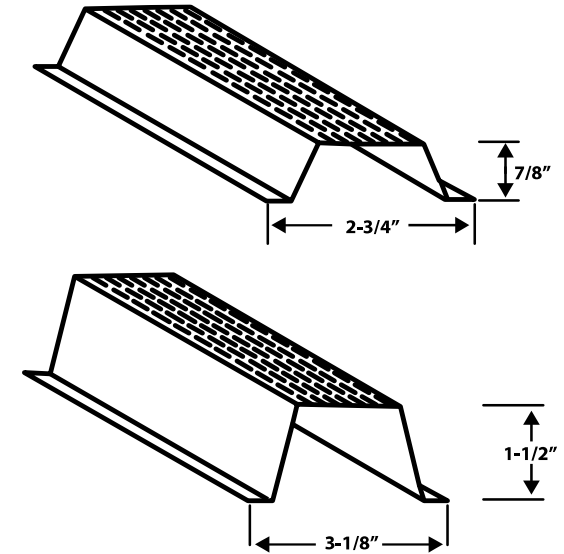
Product Data:

- Designation: SA Length (L) x gauge.
- Designed for 3-5/8, 4, 6, 7-1/4, 8, 9-1/4, 10 and 12 inch studs
- Gauges: 18 ga (3-5/8, 4, or 6 inch only), 14 ga (all lengths), 12 ga (6, 7-1/4, 8, 9-1/4, 10 and 12 inch only)
- W and F dimensions per request. Standard 2" x 2"

Uses:

- For miscellaneous attachments of intersecting framing components
- For attachment of joist framing components to flush mounted headers
- For attachment of solid blocking sections to adjacent studs of joists
- For alternate screw attachment of CRC bridging to stud webs in lieu direct weld

(DWFC) Drywall Furring Channel



Product Data:

- Available in 7/8" and 1-1/2" sizes
- Gauge: Standard 25 through 16 gauges
- Lengths: 12' 0" Stock Length, (other lengths available)
- Consult Telling Industries' Light Gage Structural Framing & Accessories brochure for structural properties and span tables

Uses:

- Convenient accessory components for use in furring out ceilings and masonry walls. Knurled face prevents screw "ride" when attaching gypsum wallboard
- 1-1/2" DWFC is economical with respect to furring walls with electrical boxes, (no need to set into concrete).