



T-BRIDGE CLIPS



CLIPS

Patent # 10,508,446 | 10,563,401

Telling's T-Bridge Clips were engineered with the installer in mind. The ergonomic design facilitates easy screw drive access and hands free assembly.

The patented T-Bridge Clips are made of 18 gauge, premium steel and are available in two functional designs, terminating and joining.

TYPES OF T-BRIDGE CLIPS:

T-Bridge Clip (Terminating) TBCT150-43

- Used to join T-Brace to a Stud at a corner, doorway, or end of wall
- 1.75" X 3.2" X 1.25"

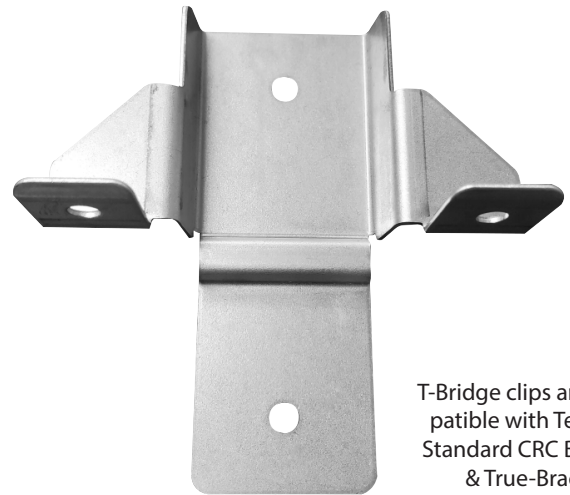


↑ Tabs prevent Clips from rotating facilitating "hands-free" installation



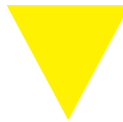
T-Bridge Clip (Joining) TBCJ150-43

- Used to joint T-Brace to T-Brace or CRC to CRC for higher load applications
- 3.5" X 3.2" X 1.25"



T-Bridge clips are compatible with Telling's Standard CRC Bracing & True-Brace.

SEE THE VIDEO

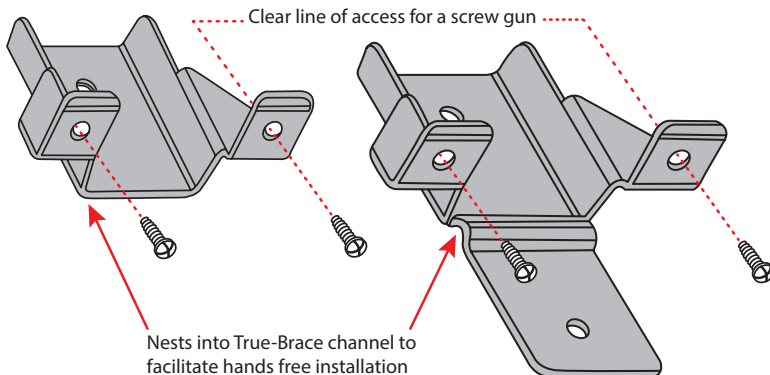


FEATURES:

- Made of Galvanized Steel
- Highly Engineered for Ease of Installation
- Slides Easily into Place When Used in Conjunction with True-Brace

BENEFITS:

- Reduces Installation Time
- 10% Savings on Material and Labor Costs
- No Clips or Welding Required
- Easy Installation Due to Patented Design



USES:

- Used to join T-Brace to a stud at a corner, doorway, or end of wall
- 1 Screw to T-Brace and up to 2 Screws to Stud
- Clip is also compatible with standard CRC Bracing



INNOVATION, SERVICE, QUALITY

www.BuildStrong.com • 1-866-372-6384

