

## SPECIALTY CEILING SYSTEMS

USG Celebration™ Canopies

### INSTALLATION GUIDE



# CELEBRATION™ METAL CANOPIES

## Installation Guide

### DESCRIPTION

USG Celebration Canopies are decorative metal ceiling clouds offered in convenient, ready-to-install units. Celebration Canopies allow you to create a custom look, provide acoustical absorption, accentuate an area or make a unique design statement. The canopies and panel hardware are pre-assembled and packaged for easy installation.

Each package contains:

Metal canopy, pre-assembled, ready for easy and fast installation.

Packaging will vary based on size and quantity ordered.

Quantities may be grouped and packaged separately.

### NOTES

---

Celebration Canopies require four suspension cables or wires not included.

Celebration Canopies shall be stored in a dry interior location. It is best to keep the canopies in their original cartons prior to installation to avoid damage. Proper care should be taken when handling to avoid damage and staining. Use a clean, dry, soft cloth to wipe off any dirt or fingerprints.

Some building codes require non-structural building components to be restrained. USG recommends installing supplementary restraint in accordance with all local building code requirements. Please consult with the authority having jurisdiction over the project to determine appropriate restraint requirements for the installation of Celebration Canopies. Restraints, if required, are not included. Refer to Seismic Technical Guide – Specialty Decorative Ceilings, SC2494 for more information on architectural components.

Placement of Celebration Canopies may obstruct or distort the existing or planned fire sprinkler water distribution pattern, or possibly delay the activation of the fire sprinkler or fire detection system. USG recommends consulting a fire protection engineer, NFPA 13, and the local code authority for guidance on the proper installation techniques where fire detection or suppression systems are present.

# CELEBRATION™ METAL CANOPIES

## Installation

### Step 1

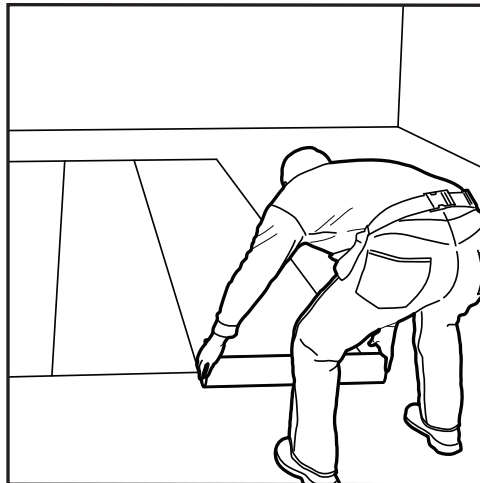
Follow good safety/industrial hygiene practices during installation. Wear appropriate personal protective equipment. Read literature before specification and installation.

### Step 2

Locate the panel layout per any architectural drawings.

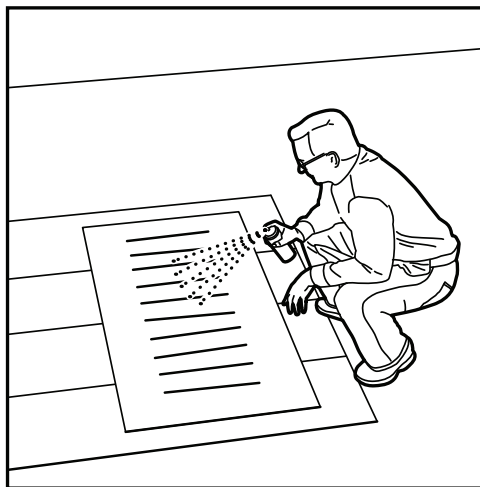
### Step 3

Protect the floor with a suitable tarp or construction paper.



### Step 4

Black out wire if desired

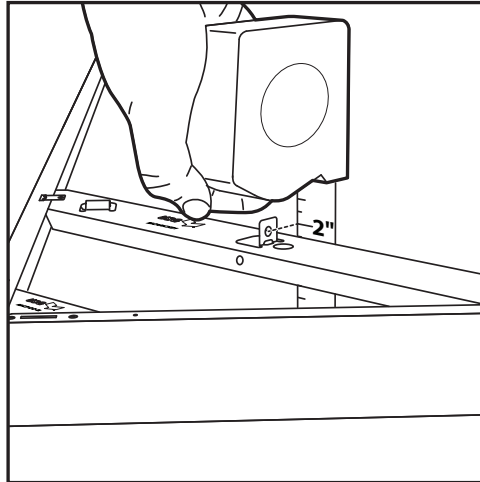


# CELEBRATION™ METAL CANOPIES

## Installation

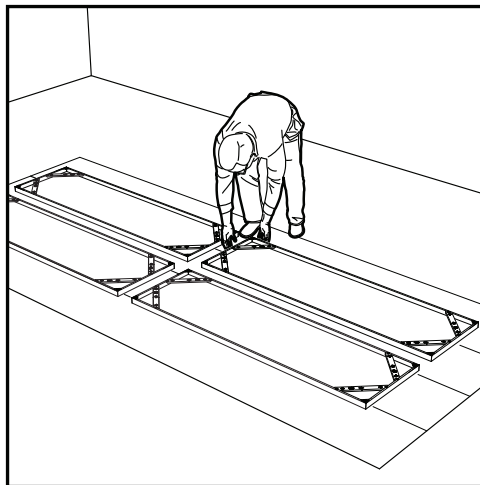
### Step 5

Determine finished ceiling height. **Note:** the hanger attachment point is 2 in. above the canopy face.



### Step 6

Assemble the canopies on the floor per the layout.

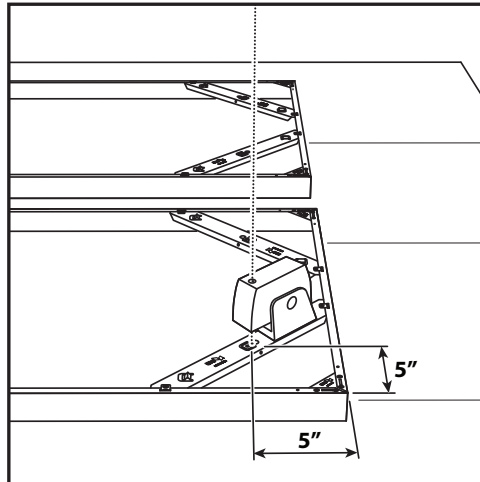


# CELEBRATION™ METAL CANOPIES

## Installation

### Step 7

Plumb up the hanger attachment points. **Note:** Hanger points are 5 in. from each corner as shown.



### Step 8

Install suspension hangers or cables to attachment points.

### Step 9

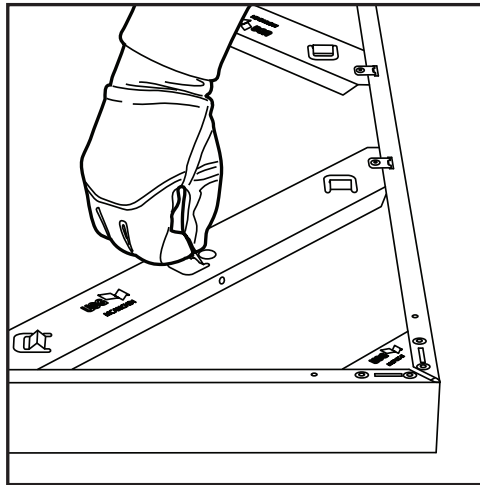
Locate canopy height and bend hangers.

# CELEBRATION™ METAL CANOPIES

## Installation

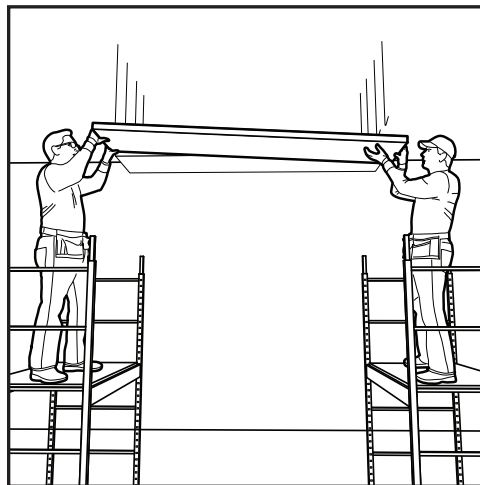
### Step 10

Fold up the support tabs vertical.



### Step 11

Install canopies

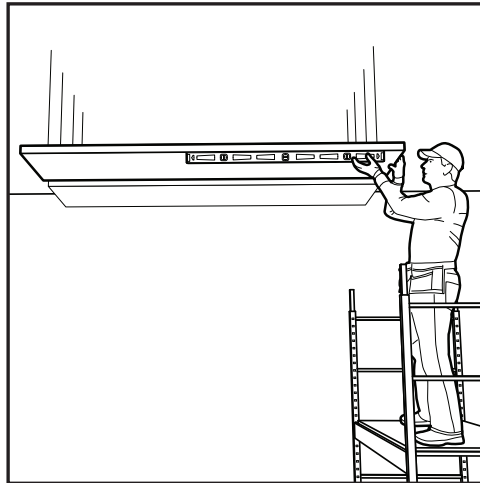


# CELEBRATION™ METAL CANOPIES

## Installation

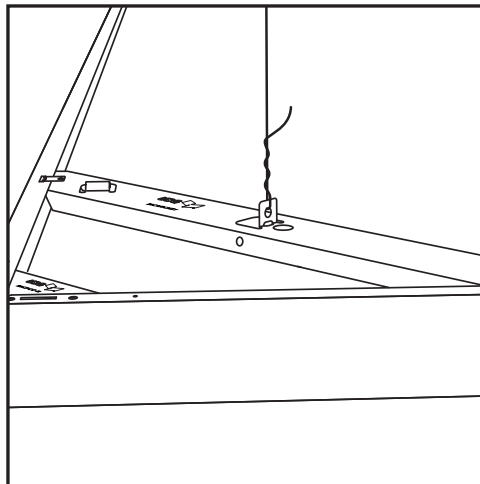
### Step 12

Level canopies.



### Step 13

Securely tie suspension hangers or cables.



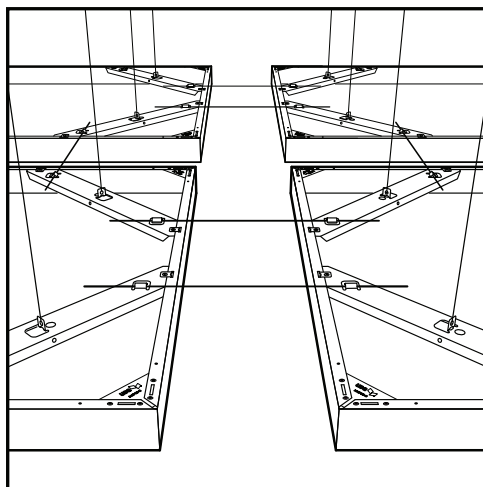


# CELEBRATION™ METAL CANOPIES

## Installation

### Step 14

Install optional spacer wire if desired. Standard 12 ga hanger wire or clear acrylic rod, max. 1/8 in. diameter, may be used for concealment.



## WEBSITES

usg.com  
cgcinc.com  
usgdesignstudio.com  
cgcdesignstudio.com

## TECHNICAL SERVICE

800 USG.4YOU  
800 874.4968

## CUSTOMER SERVICE

USG 800 950.3839  
CGC 800 387.2690

## PRODUCT INFORMATION

Data Sheet: IC631  
System Guide: IC633  
See usg.com or cgcinc.com for the most up-to-date product information.

## INSTALLATION

Must be installed in compliance with ASTM C636, ASTM E580, CISCA and standard industry practices, within all applicable code requirements. Alternative assemblies and installation methods may be utilized when approved by the Authority Having Jurisdiction. USG recommends checking with the Authority Having Jurisdiction prior to designing and installing a suspended ceiling system.

## CODE COMPLIANCE

The information presented is correct to the best of our knowledge at the date of issuance. Because codes continue to evolve, check with a local official prior to designing and installing a ceiling system. Other restrictions and exemptions may apply.

## SEISMIC APPLICATIONS

Refer to Seismic Technical Guide, Specialty Decorative Ceilings, SC2494 for more information on architectural components.

## NOTICE

We shall not be liable for incidental and consequential damages, directly or indirectly sustained, nor for any loss caused by application of these goods not in accordance with current printed instructions or for other than the intended use. Our liability is expressly limited to replacement of defective goods. Any claim shall be deemed waived unless made in writing to us within thirty (30) days from date it was or reasonably should have been discovered.

## COLOR VARIATIONS

Some commercially acceptable color variation may occur between lots and between different size canopies of the same color.

## WARRANTY

One (1) year limited warranty. See SC2102, USG Ceilings Commercial Application Warranty for additional details. For Canadian product needs, please contact your local sales representative.

## SAFETY FIRST!

Follow good safety and industrial hygiene practices during handling and installation of all products and systems. Take necessary precautions and wear appropriate personal protective equipment as needed. Read safety data sheets and related literature on products before specification and/or installation

### Notice

The information in this document is subject to change without notice. CGC Inc. or USG Corp. assumes no responsibility for any errors that may inadvertently appear in this document.

IC632/4-16

© 2016, USG Corporation or its affiliates. All rights reserved. Printed in U.S.A.

The trademarks USG, CELEBRATION, IT'S YOUR WORLD BUILD IT, the USG Logo, and related marks are trademarks of USG Corporation or affiliates.