

USG  
Ceiling  
Solutions



**USG CELEBRATION™  
TORSION SPRING**  
CEILING SYSTEM

**SYSTEM GUIDE**



IT'S YOUR WORLD. BUILD IT.®

# USG CELEBRATION™ TORSION SPRING

## CEILING SYSTEM

---

### SYSTEM GUIDE

USG Celebration™ Torsion Spring Ceiling System is an engineered design that combines a monolithic appearance with easy access to the plenum through downward accessible panels. USG Celebration Torsion Spring panels provide a clean, no reveal look that completely hides the suspension system as well as maintain superior alignment throughout the ceiling system. The well-thought-out system is a sensible choice to demonstrate the beauty and precision of your design while still providing the ease of usability that the torsion spring system provides.

---

### INTRODUCTION

2 System Overview

---

### SYSTEM DESIGN

3 Panel Sizes  
4 Components  
5 Assembly  
6 Finishes  
7 Perforations  
11 Grid Layout  
14 Details

---

### FOR MORE INFORMATION

**Technical Service**  
800 USG.4YOU (874-4968)

**Web Site**  
[usg.com](http://usg.com) or [cgcinc.com](http://cgcinc.com)

# SYSTEM OVERVIEW

---

## USG CELEBRATION™ TORSION SPRING CEILING SYSTEM

USG Celebration™ Torsion Spring System allows you to create a monolithic ceiling design that is both easy to install and easy to maintain. As part of the Celebration family of downward accessible ceiling systems, you would be able to choose from a wide variety of finishes and perforation patterns. Available in wall-to-wall or cloud designs, the USG Celebration Torsion Spring System is engineered to use multiple panel sizes together to further expand your creative design.

---

## FEATURES AND BENEFITS

- Aluminum panels provide a monolithic appearance
  - Full 90 degree swing-down motion provides easy downward access to plenum areas
  - Spring clip design provides superior alignment
  - No reveal
  - Wind load tested and approved for exterior applications with proper bracing and exterior framing
- 

## SIZES

24" x 24", 24" x 48", 24" x 72", 24" x 96", 48" x 48"

---

## MATERIALS

Aluminum

---

## SUSPENSION SYSTEM

Standard USG Donn® Brand DX® main tees are used in conjunction with slotted cross tees. The slotted cross tees are available in 2', 4' and 6' lengths with the 6' cross tees specifically designed for use with the 24" x 72" panels. USG Donn® Brand ZXLA™ main tees used with slotted ZXA™ cross tees are recommended for exterior applications.

---

## PERIMETER DETAILS

USG Compäso® Standard trim may be used with the USG Celebration Torsion Spring ceiling system for a finished appearance at exposed edges. Please refer to USG Compäso® Standard/Elite (IC309) datasheet for additional information.

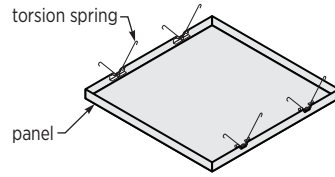
---

## ACOUSTICAL PERFORMANCE

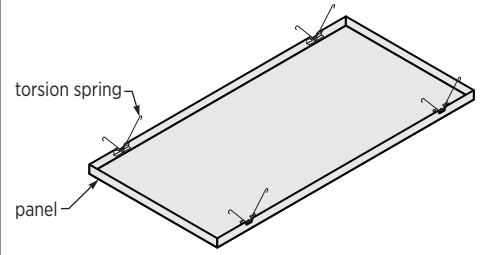
Perforated panels with an Acoustibond sound backer achieve a range of 0.35-0.75 NRC, dependent on the perforation pattern, when installed in an enclosed plenum. Available fiberglass filled polybags provide even greater acoustical performance.

**PANEL SIZES**

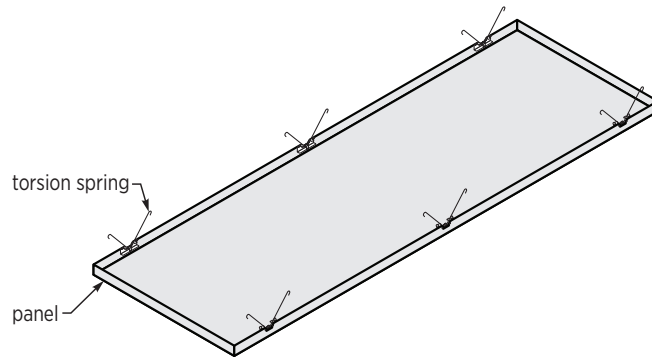
**24" x 24"**



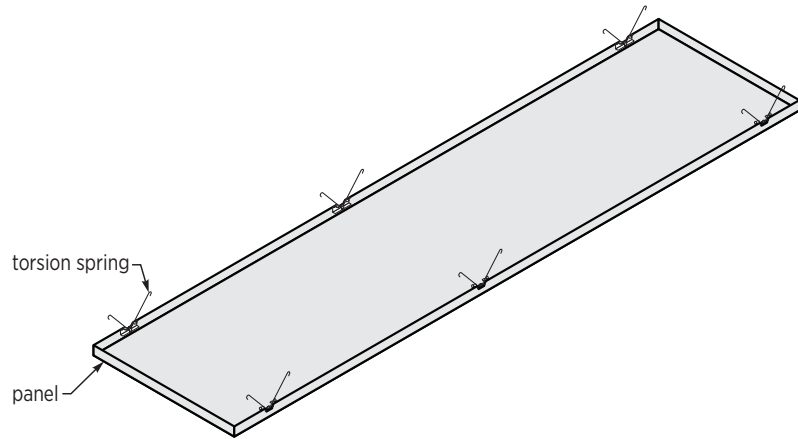
**24" x 48"**



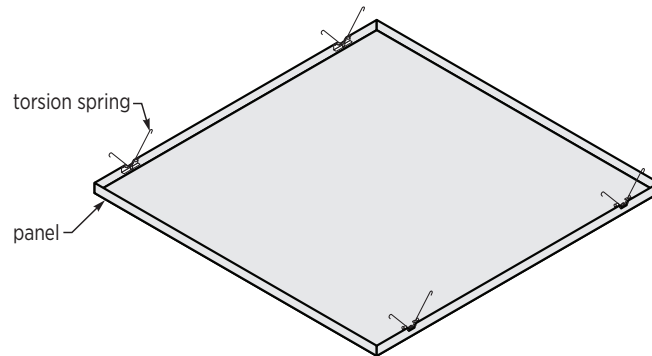
**24" x 72"**



**24" x 96"**



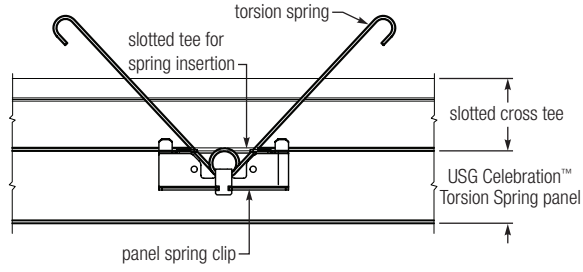
**48" x 48"**



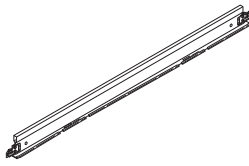
COMPONENTS

DETAILS

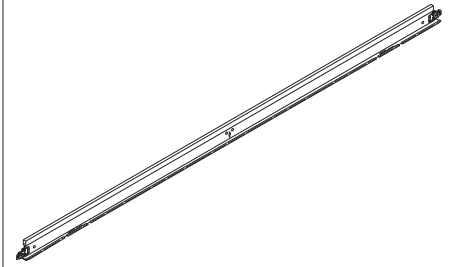
Torsion Spring with spring clip



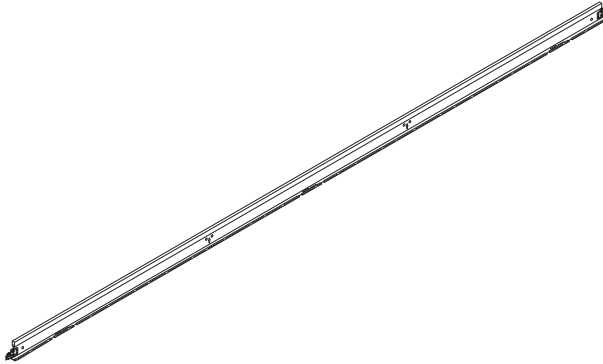
2' Cross Tee



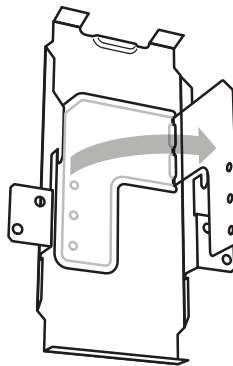
4' Cross Tee



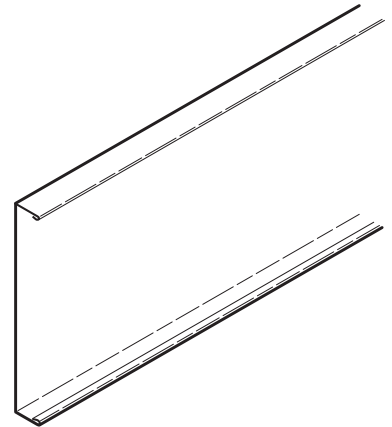
6' Cross Tee



TS Trim Clip



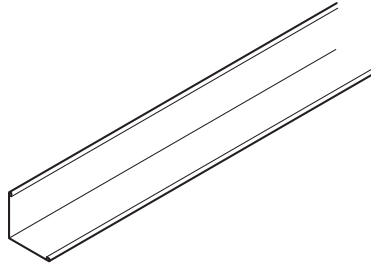
USG Compasso® Standard



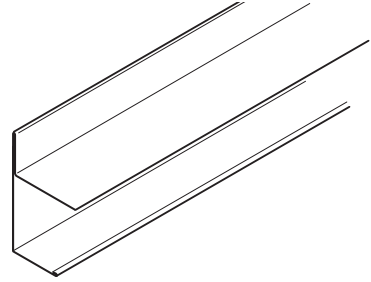
COMPONENTS

DETAILS

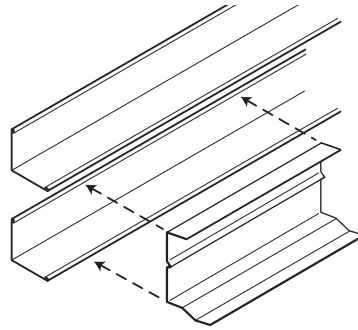
M7 Wall Angle



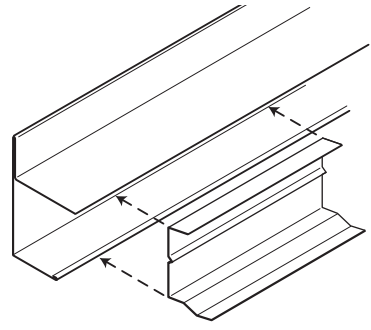
F-Mold



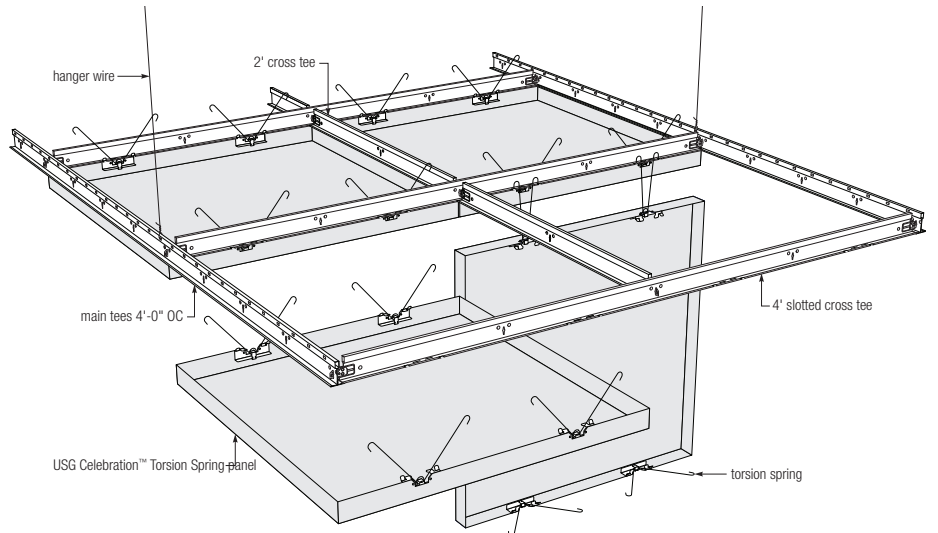
T-15 Hold Down Clip with Double M7



T-15 Hold Down Clip with F-Mold



ASSEMBLY



## FINISHES

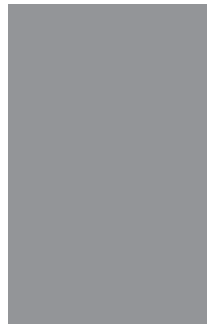
### PAINTED METALS

Metallic finishes shown<sup>2</sup>

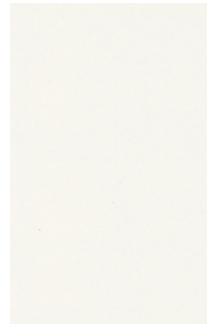
Flat White (050)



Silver Satin (002)



Metallic Oyster (1652)



Blanco Mat (4182)



### ANODIZED METALS<sup>1</sup>

USG Paraline<sup>®</sup> only;  
PII—Black Reveal not available with these finishes

Brushed Aluminum (PIA12)



Polished Brass (PM21)



Polished Chrome (PM61)



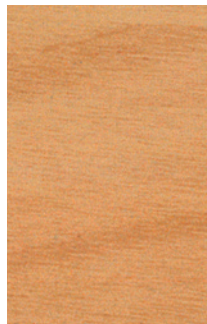
Satin Chrome (PM614)



### WOOD TONES<sup>3</sup>

USG Celebration™ and Panz<sup>®</sup>, 1'x4', 1'x5', 20"x60",  
2'x2' and 2'x4' panels. Coordinating suspension and/  
or trim color available.

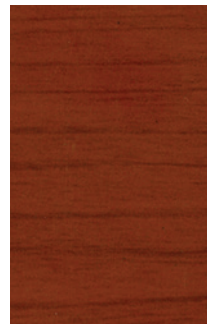
Beech (3810)



Dark Bamboo (3808)



Dark Cherry (3811)



Light Bamboo (3809)



Light Cherry (3812)



Maple (3813)



Red Oak (3814)



Walnut (3815)



**STANDARD PERFORATIONS<sup>1</sup>**

**METAL PERFORATIONS**

Please call 866 528-7089 to request a sample.

Pattern Number	Perforation Pattern	Open Area % <sup>5</sup>
CD06305NB	Round 1/16" Perforations, 0.25" o.c. (without border)	5%
CD06305	Round 1/16" Perforations, 0.25" o.c.	5%
CD06319	Round .062" Perforations, 0.124" o.c.	19%
CD11717	Round 15/128" Perforations, 0.354" o.c.	17%
CD18803	Round 3/16" Perforations, 1" o.c.	3%
CD25039	Round 1/4" Perforations, 0.5" o.c.	39%
CD50055	Round 1/2" Perforations, 0.848" o.c.	55%
CE07906	Round 5/64" Perforations, 0.312" o.c.	6%
CE12510	Round 1/8" Perforations, 0.375" o.c.	10%
CE18833	Round 3/16" Perforations, 0.312" o.c.	33%
CE25030	Round 13/64" Perforations, 0.316" o.c.	35%
B250	Round 1/4" Perforations, 0.437" o.c.	30%
CE25058	Round 1/4" Perforations, 0.32" o.c.	58%
CE31246	Round 5/16" Perforations, 0.437" o.c.	46%
CE50063	Round 1/2" Perforations, 0.600" o.c.	63%
CS03002	Round 1/32" Perforations, 0.197" o.c.	1.8%
CS06302	Round 1/16" Perforations, 0.351" o.c.	2%
CD06305	Round 1/16" Perforations, 0.175" o.c.	10%
CS11708	Round 15/128" Perforations, 0.344" o.c.	8%
CS18801	Round 3/16" Perforations, 1.414" o.c.	1%
CS25012	Round 1/4" Perforations, 0.65" o.c.	12%
CS37509	Round 3/8" Perforations, 1.125" o.c.	9%
CS50009	Round 1/2" Perforations, 1.5" o.c.	9%
SS25011	Square 1/4" Perforations, 0.75" o.c.	11%
SS37511	Square 3/8" Perforations, 1.125" o.c.	11%
SS50011	Square 1/2" Perforations, 1.5" o.c.	17%
SS50070	Square 1/2" Perforations, 0.595" o.c.	70%
EC25D <sup>3</sup>	Round 1/4" dia. x 1/16" Embossing, 1.18" o.c.; No Perforation	0%
EC25U <sup>3</sup>	Round 1/4" dia. x 1/16" Embossing, 1.18" o.c.; No Perforation	0%
EM25D <sup>3</sup>	Round 1/4" dia. x 1/16" Embossing, 1/4" Perforations, 1.14" o.c.	2%
EM25U <sup>3</sup>	Round 1/4" dia. x 1/16" Embossing, 1/4" Perforations, 1.14" o.c.	2%

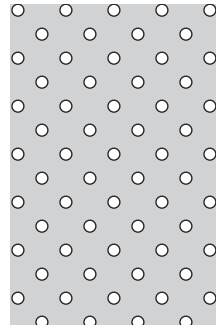
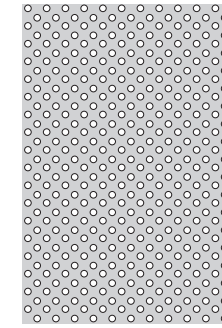
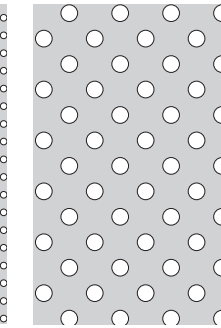
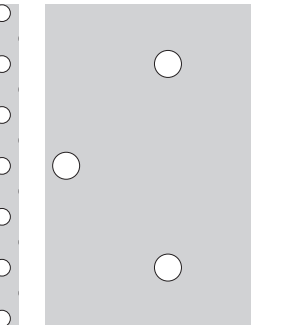
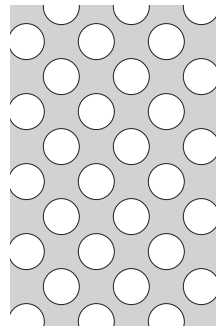
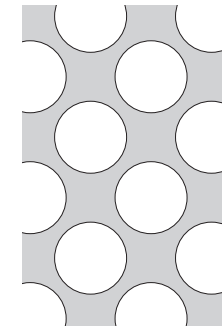
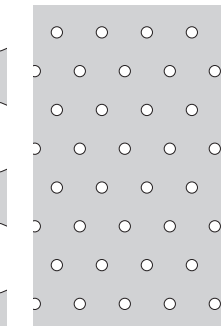
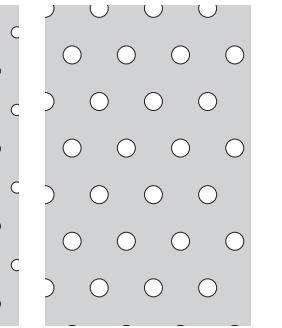
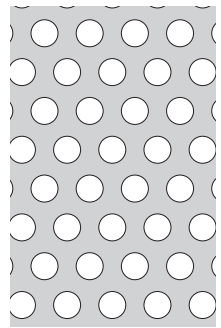
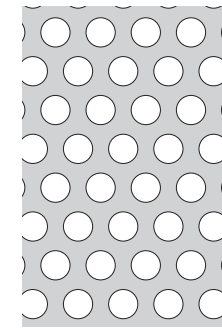
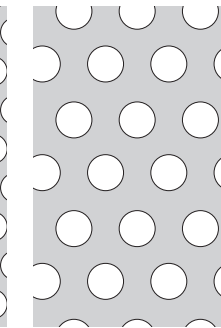
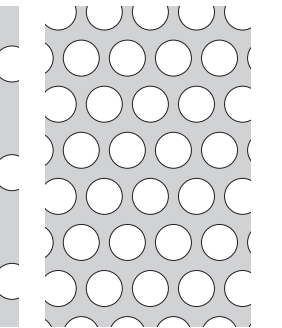
**Notes**

1. Refer to IC425 USG Perforations Selection Guide for more information.
2. Also standard for USG Geometrix panels.
3. 2'x2' USG Celebration™ and Panz® panels only.
4. Perforation patterns shown at 75% of actual size. When ordering, please refer to the pattern number for perforation samples (for example, "A062"). (All samples are 6"x6".)
5. Panels with an open area ≥ 50% offered in 2'x2' only.
6. 2' wide USG Celebration™ Snap-In, Celebration Torsion Spring, Panz® and Curvatura™ panels up to 6' long only.



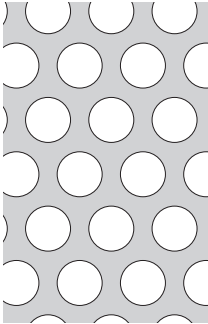
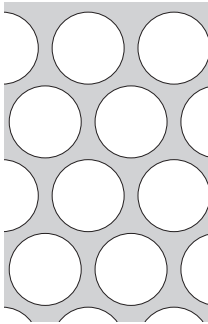
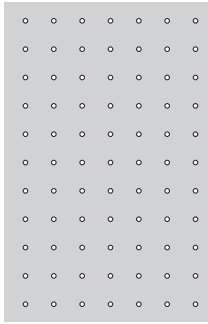
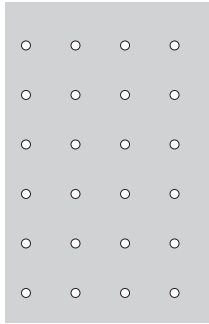
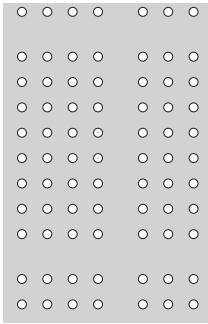
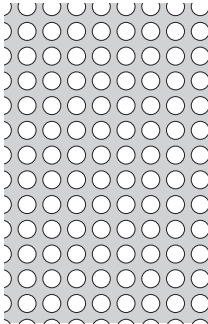
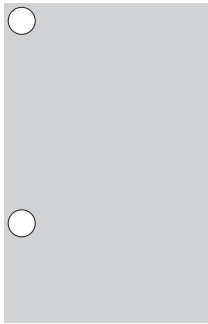
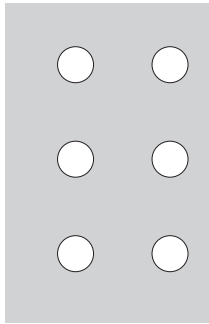
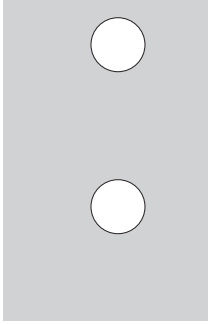
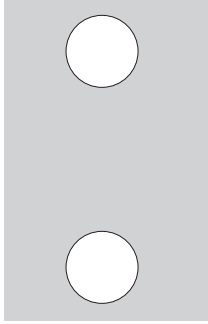
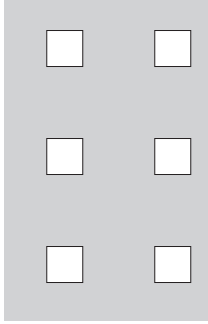
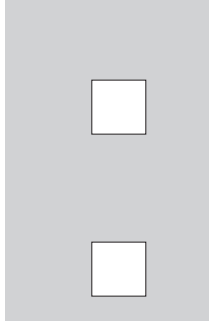
STANDARD PERFORATIONS<sup>4</sup>

METAL PERFORATIONS

<p><b>Pattern No. CD06305</b></p> 	<p><b>Pattern No. CD06319</b></p> 	<p><b>Pattern No. CD11717</b></p> 	<p><b>Pattern No. CD18803</b></p> 
<p>Round—1/16" perforations 0.25" o.c., 5% open area</p>	<p>Round—0.062" perforations 0.124" o.c., 19% open area Micro perf.</p>	<p>Round—15/128" perforations 0.354" o.c., 17% open area</p>	<p>Round—3/16" perforations 1" o.c., 3% open area</p>
<p><b>Pattern No. CD25039</b></p> 	<p><b>Pattern No. CD50055</b></p> 	<p><b>Pattern No. CE07906</b></p> 	<p><b>Pattern No. CE12510</b></p> 
<p>Round—1/4" perforations 0.5" o.c., 39% open area</p>	<p>Round—1/2" perforations 0.848" o.c., 55% open area not to be used with the USG Curvatura™ One-Directional Ceiling System</p>	<p>Round—5/64" perforations 0.312" o.c., 6% open area</p>	<p>Round—1/8" perforations 0.375" o.c., 10% open area</p>
<p><b>Pattern No. CE18833</b></p> 	<p><b>Pattern No. CE19735</b></p> 	<p><b>Pattern No. CE25030</b></p> 	<p><b>Pattern No. CE25058</b></p> 
<p>Round—3/16" perforations 0.312" o.c., 33% open area</p>	<p>Round—13/64" perforations 0.316" o.c., 35% open area</p>	<p>Round—1/4" perforations 0.437" o.c., 30% open area</p>	<p>Round—1/4" perforations 0.32" o.c., 58% open area</p>

STANDARD PERFORATIONS<sup>4</sup>

METAL PERFORATIONS

Pattern No. CE31246	Pattern No. CE50063	Pattern No. CS03002	Pattern No. CE50063
			
Round—5/16" perforations 0.437" o.c., 46% open area	Round—1/2" perforations 0.600" o.c., 63% open area not to be used with the USG Curvatura™ One-Directional Ceiling System	Round—1/32" perforations 0.197" o.c., 1.8% open area	Round—1/16" perforations 0.351" o.c., 2% open area
Pattern No. CS06302	Pattern No. CS11708	Pattern No. CS18801	Pattern No. CS25012
			
Round—1/16" perforations 0.175" o.c., 10% open area	Round—15/128" perforations 0.344" o.c., 8% open area	Round—3/16" perforations 1.414" o.c., 1% open area	Round—1/4" perforations 0.65" o.c., 12% open area
Pattern No. CS37509	Pattern No. CS50009	Pattern No. SS25011	Pattern No. SS37511
			
Round—3/8" perforations 1.125" o.c., 9% open area	Round—1/2" perforations 1.5" o.c., 9% open area	Square—1/4" perforations 0.75" o.c., 11% open area	Square—3/8" perforations 1.125" o.c., 11% open area

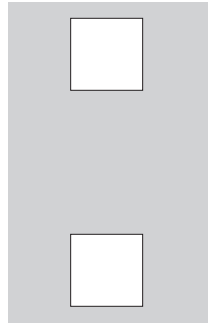
Notes

1. Do not use with USG Curvatura™ One-Directional Ceiling System.
2. Standard for USG Geometrix® panels.
3. 2'x2' USG Celebration™ and Panz® panels only.
4. USG Perforation patterns shown at 75% of actual size. When ordering, please refer to the pattern number for perforation samples (for example, "A062"). (All samples are 6"x6".)
5. Panels with an open area ≥ 50% offered in 2'x2' only.
6. 2" wide USG Celebration™ Snap-In, Celebration Torsion Spring, Panz® and Curvatura™ panels up to 6' long only.

**STANDARD PERFORATIONS<sup>4</sup>**

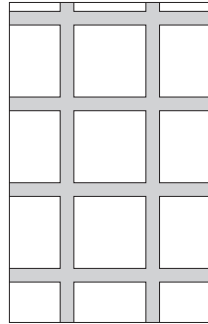
**METAL PERFORATIONS**

**Pattern No. SS50011**



Square—1/2" perforations  
1.5" o.c., 17% open area

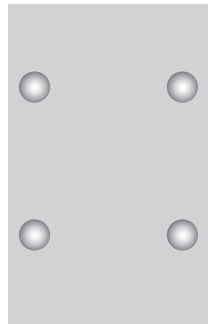
**Pattern No. CE31246**



Square—1/2" perforations  
0.595" o.c., 70% open area  
(70% open area required for  
sprinklers above ceiling)

**EMBOSSING ONLY<sup>4</sup>**

**Pattern No. EM25D**

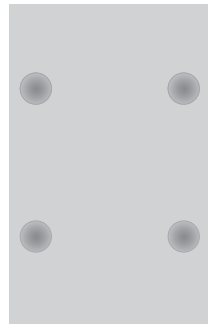


Round—1/4" dia. x 1/16"  
embossing 1.18" o.c., no  
perforation



Face side

**Pattern No. EM25U**



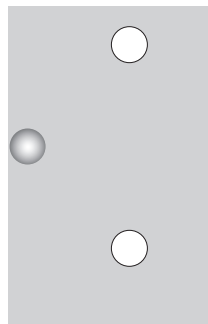
Round—1/4" dia. x 1/16"  
embossing 1.18" o.c., no  
perforation



Face side

**EMBOSSING AND PERFORATIONS<sup>4</sup>**

**Pattern No. EC25D**

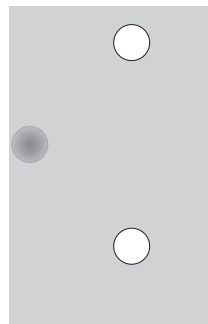


Round—1/4" perforations  
1.41" o.c., 2% open area  
Black Acoustibond™ backer  
standard



Face side

**Pattern No. EC25U**



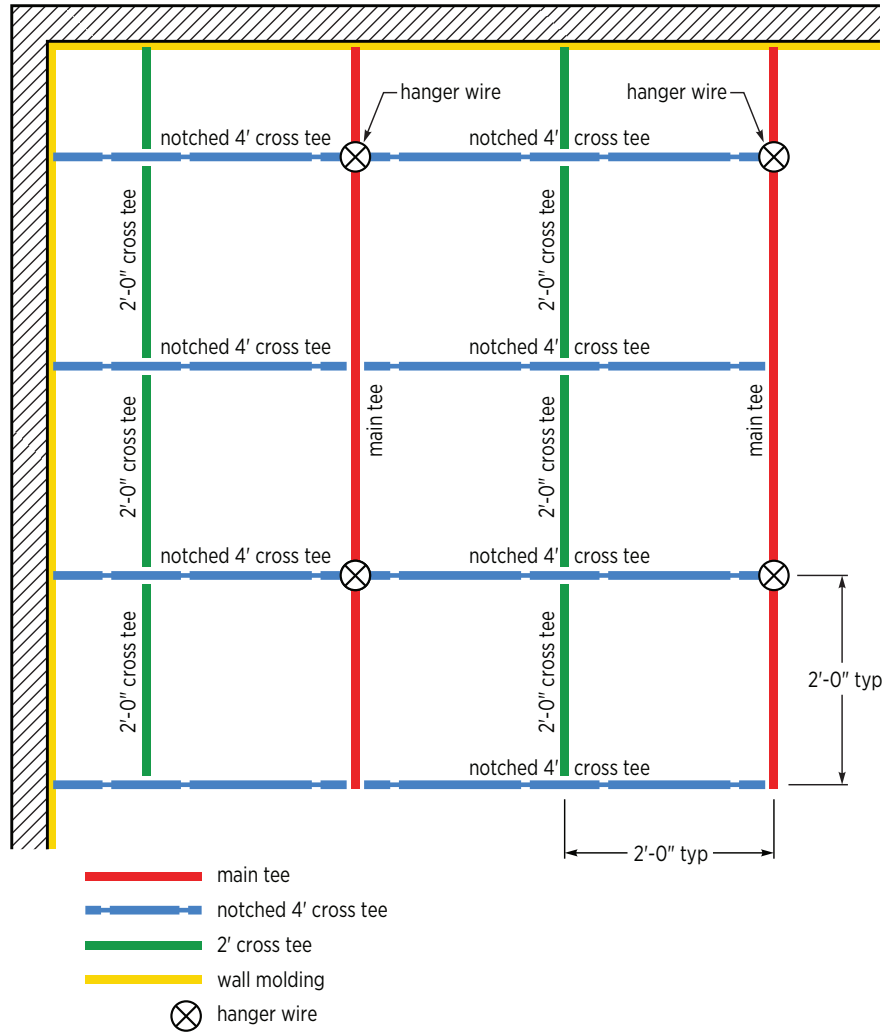
Round—1/4" perforation  
1.41" o.c., 2% open area  
Acoustibond™ backer not  
available



Face side

**2' X 2' LAYOUT TYPICAL  
GRID FRAMING PLAN**

**GRID LAYOUT**

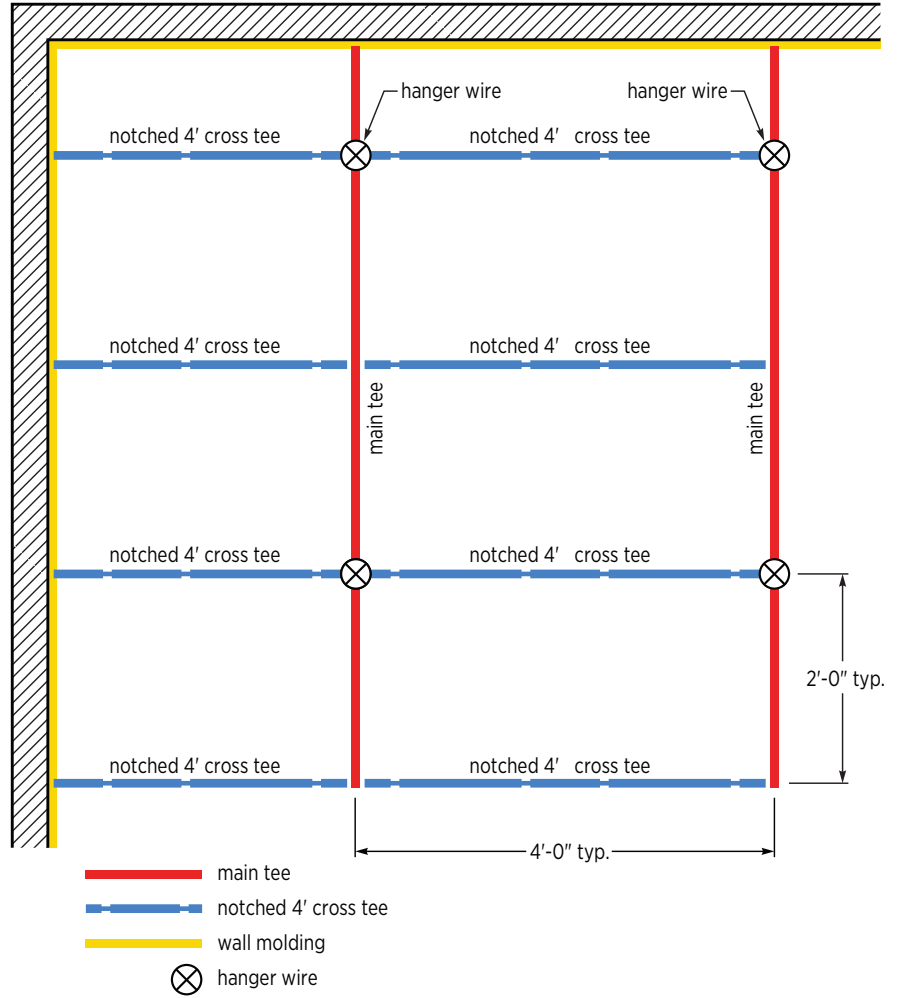


**Notes**

1. Reference USG publication *Celebration Torsion Spring Installation Guide* (IC637) for more information.
2. For exterior applications, contact your local USG representative for more information.

**2' X 4' LAYOUT TYPICAL  
GRID FRAMING PLAN**

**GRID LAYOUT**

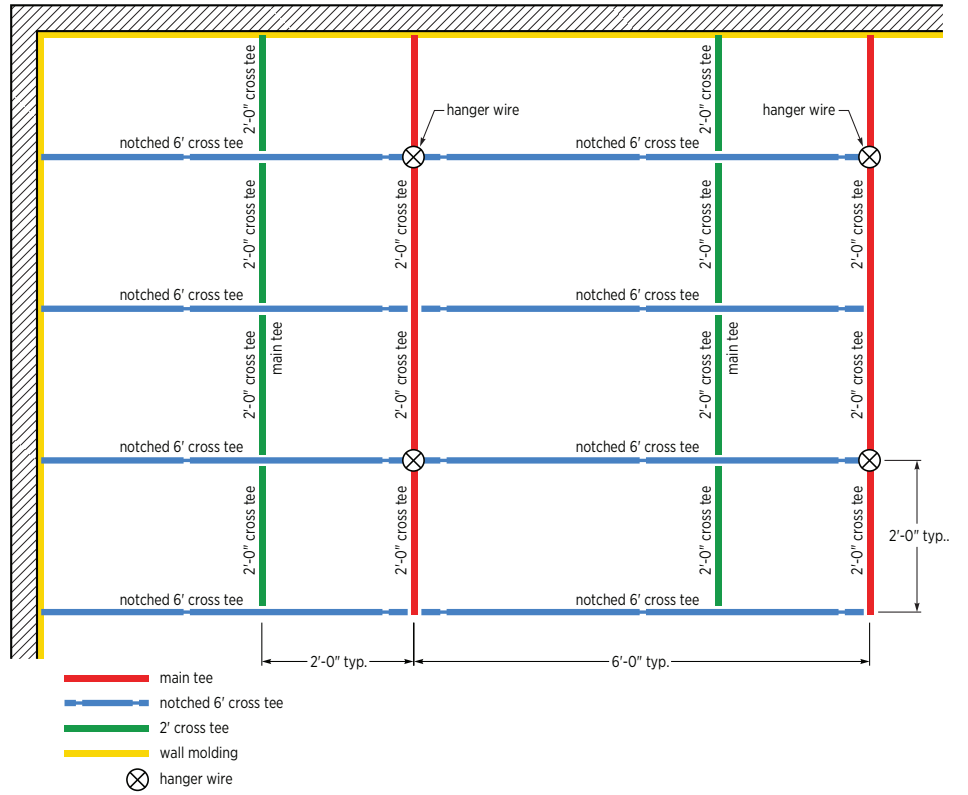


**Notes**

1. Reference USG publication *Celebration Torsion Spring Installation Guide* (IC637) for more information.
2. For exterior applications, contact your local USG representative for more information.

**2' X 6' LAYOUT TYPICAL  
GRID FRAMING PLAN**

**GRID LAYOUT**

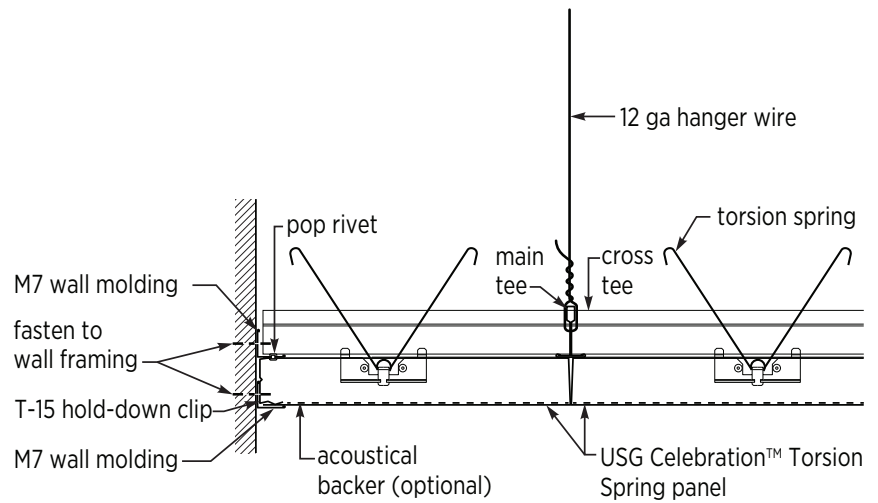
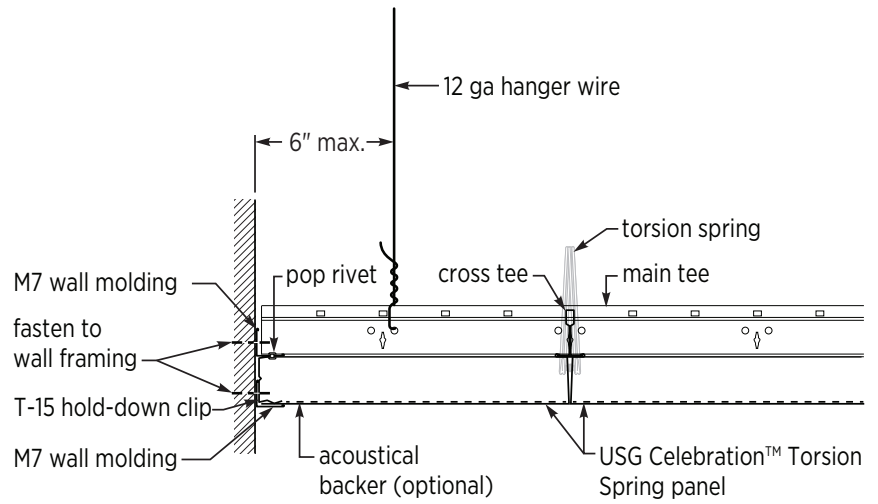


**Notes**

1. Reference USG publication *Celebration Torsion Spring Installation Guide* (IC637) for more information.
2. For exterior applications, contact your local USG representative for more information.

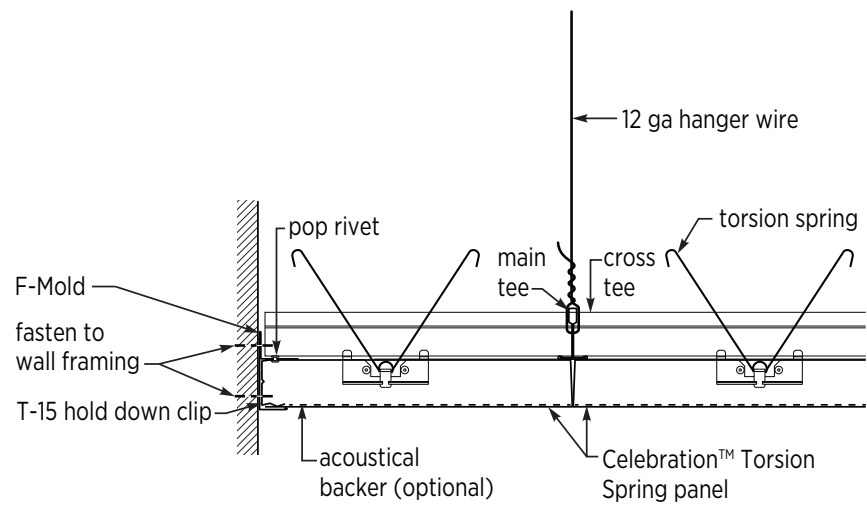
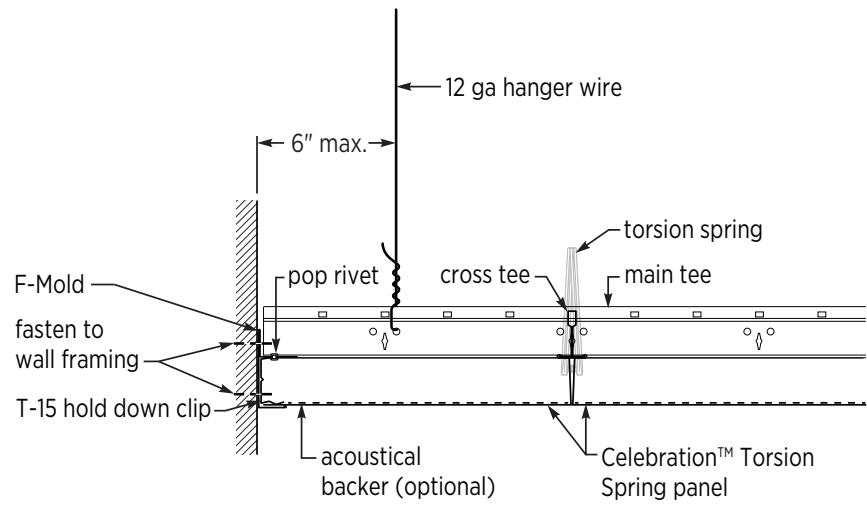
## DETAILS

### CUT PANEL PERIMETER WALL INTERFACE (WITH M7 WALL MOLDINGS)



## DETAILS

### CUT PANEL PERIMETER WALL INTERFACE (WITH F-MOLD)

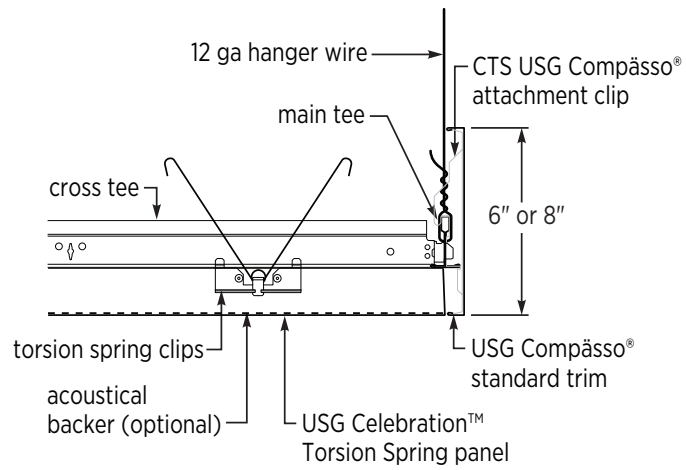
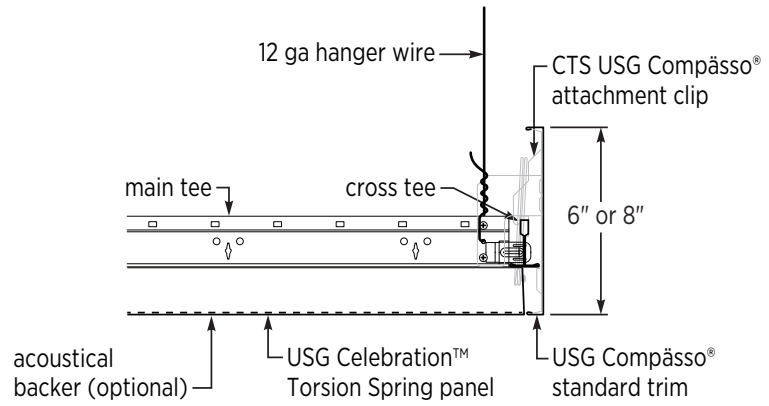




## DETAILS

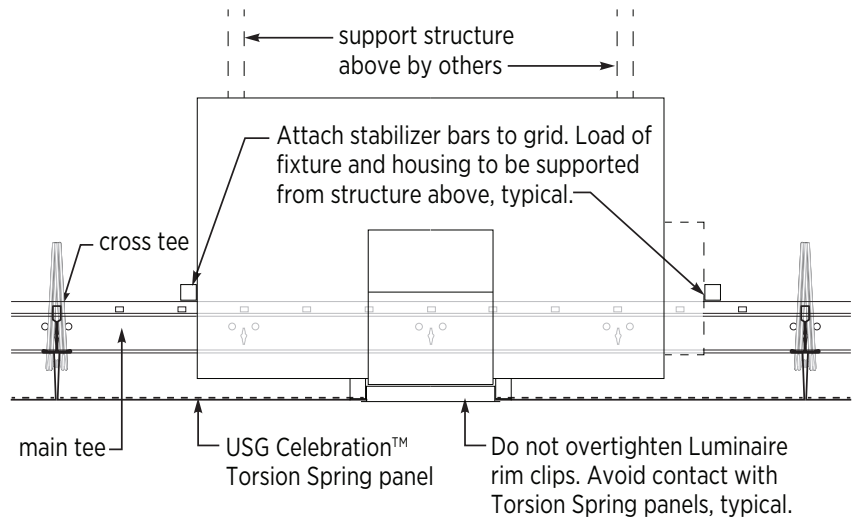
---

### FULL PANEL AT PERIMETER TRIM



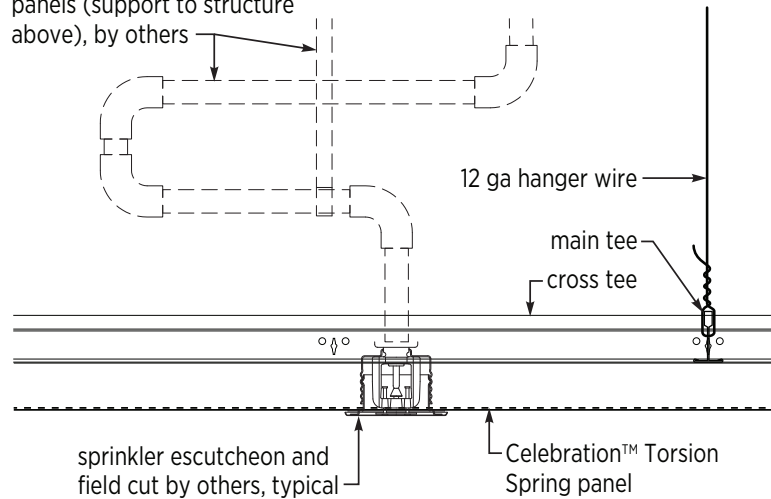
## DETAILS

### PANEL AT LIGHT FIXTURE



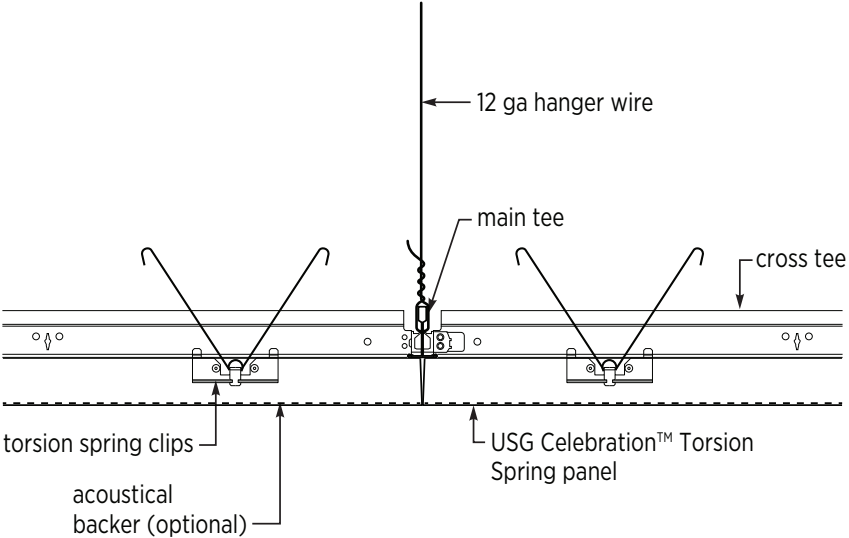
### PANEL AT SPRINKLER

swing-arm assembly is recommended to allow centering in torsion spring panels (support to structure above), by others



**DETAILS**

**FULL PANEL AT  
CROSS TEE**



## PRODUCT INFORMATION

See [usg.com](http://usg.com) for the most up-to-date product information.

## CUSTOMER SERVICE

USG 800 950-3839  
CGC 800 387-2690

## TECHNICAL SERVICE

800 USG.4YOU (874-4968)

## WEBSITES

[usg.com](http://usg.com)  
[cgcinc.com](http://cgcinc.com)  
[usgdesignstudio.com](http://usgdesignstudio.com)  
[cgcdesignstudio.com](http://cgcdesignstudio.com)

## PRODUCT INFORMATION

Data Page: IC622  
Installation Guide: IC637  
See [usg.com](http://usg.com) or [cgcinc.com](http://cgcinc.com) for the most up-to-date product information.

## INSTALLATION

Must be installed in compliance with ASTM C636, ASTM E580, CISCA and standard industry practices, within all applicable code requirements. Alternative assemblies and installation methods may be utilized when approved by the authority having jurisdiction. USG recommends checking with the authority having jurisdiction prior to designing and installing a suspended ceiling system.

## CODE COMPLIANCE

The information presented is correct to the best of our knowledge at the date of issuance. Because codes continue to evolve, check with a local official prior to designing and installing a ceiling system. Other restrictions and exemptions may apply.

## NOTICE

We shall not be liable for incidental and consequential damages, directly or indirectly sustained, nor for any loss caused by application of these goods not in accordance with current printed instructions or for other than the intended use. Our liability is expressly limited to replacement of defective goods. Any claim shall be deemed waived unless made in writing to us within thirty (30) days from date it was or reasonably should have been discovered.

## COLOR VARIATIONS

Some commercially acceptable color variation may occur between lots and between different size canopies of the same color.

## SEISMIC APPLICATIONS

Refer to *Seismic Technical Guide, Specialty Decorative Ceilings (SC2494)* for more information on architectural components.

## SAFETY FIRST!

Follow good safety/industrial hygiene practices during installation. Wear appropriate personal protective equipment. Read SDS and literature before specification and installation.

## WARRANTY

One (1) year limited warranty. See *USG Ceilings Commercial Application Warranty (SC2102)* for additional details. For Canadian product needs, please contact your local sales representative.

IC638/7-23

© 2023 USG Corporation and/or its affiliates. All rights reserved.

The trademarks USG, ACOUSTIBOND CELEBRATION, COMPASSO, CURVATURA, DONN, DX, GEOMETRIX, PANZ, PARALINE, ZXLA, IT'S YOUR WORLD. BUILD IT., the USG logo, the design elements and colors, and related marks are trademarks of USG Corporation or its affiliates.

## NOTICE

The information in this document is subject to change without notice. CGC Inc. or USG Corp. assumes no responsibility for any errors that may inadvertently appear in this document.



IT'S YOUR WORLD. BUILD IT.®