

# COMPÄSSO™ ELITE BUILDING PERIMETER SYSTEMS: CURTAIN POCKETS



TO ORDER SAMPLES, GO TO [USG.COM](http://USG.COM) OR [CGCINC.COM](http://CGCINC.COM)

#### PAINTED METAL



Flat White  
050

#### FEATURES AND BENEFITS

- High aesthetic appeal for integrating utilities at building perimeters .
- Fast efficient installation with multiple mounting options.
- Made with the precision of extruded aluminum.
- Seamless integration with USG Ceiling Systems.

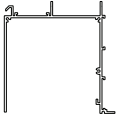
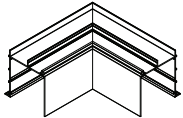
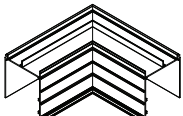
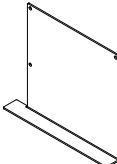
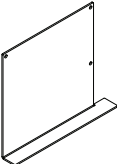
#### APPLICATIONS

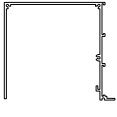
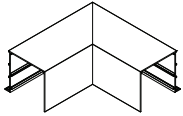
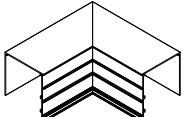
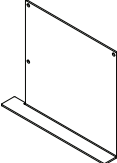
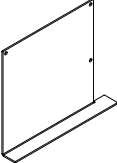
- Interior Applications
- Wall to Wall Ceilings
- Wall Applications
- New Construction

# COMPÄSSO™ ELITE BUILDING PERIMETER SYSTEMS: CURTAIN POCKETS

ORDER SAMPLES/LITERATURE  
 USG: [usg.com](http://usg.com) or [samplitt@usg.com](mailto:samplitt@usg.com)  
 CGC: contact Sales Representative  
**TECHNICAL SERVICES**  
 800 USG.4YOU (874-4968)

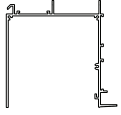
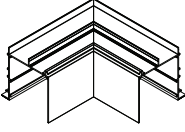
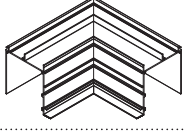
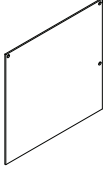
FOR MOST UP-TO-DATE  
**TECHNICAL INFORMATION  
 AND LEED REPORT TOOL**  
[usgdesignstudio.com](http://usgdesignstudio.com)  
[cgcdesignstudio.com](http://cgcdesignstudio.com)

<b>3-Sided Curtain Pocket with Acoustical Flange with Integrated Framing Channel</b>				
Item	Description	Size	Length	
277996	3-Sided Pocket with Acoustical Flange	5" x 5" x 5"	120"	
277997	Outside Corner with Acoustical Flange	12" x 5" x 12"	12"	
277998	Inside Corner with Acoustical Flange	12" x 5" x 12"	12.75"	
278071	Right Hand End Cap with Acoustical Flange	5" x 5"		
278072	Left Hand End Cap with Acoustical Flange	5" x 5"		

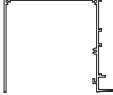
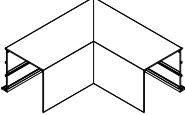
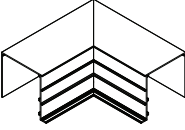
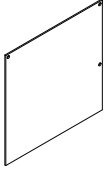
<b>3-Sided Curtain Pocket with Acoustical Flange for Traditional Metal Framing</b>				
Item	Description	Size	Length	
278001	3-Sided Pocket with Acoustical Flange	5" x 5" x 5"	120"	
278002	Outside Corner with Acoustical Flange	12" x 5" x 12"	12"	
278003	Inside Corner with Acoustical Flange	12" x 5" x 12"	12.75"	
278071	Right Hand End Cap with Acoustical Flange	5" x 5"		
278072	Left Hand End Cap with Acoustical Flange	5" x 5"		

 **Low Emissions (VOC)**  
 CDPH 01350 v1.2-2017 compliance on select finishes, see [usg.com](http://usg.com) for more details and documentation.

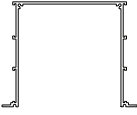
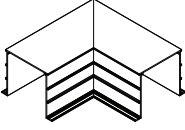
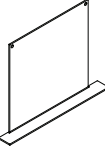
**3-Sided Curtain Pocket with Drywall Flange with Integrated Framing Channel**

Item	Description	Size	Length	
278008	3-Sided Pocket with Drywall Flange	5" x 5" x 5"	120"	
278009	Outside Corner with Drywall Flange	12" x 5" x 12"	12"	
278010	Inside Corner with Drywall Flange	12" x 5" x 12.75"	12"	
278000	End Cap for Drywall Flange	5" x 5"		

**3-Sided Curtain Pocket with Drywall Flange for Traditional Metal Framing**

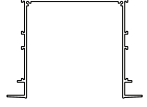
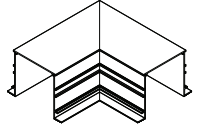
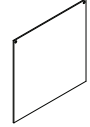
278014	3-Sided Pocket with Drywall Flange	5" x 5" x 5"	120"	
278015	Outside Corner with Drywall Flange	12" x 5" x 12"	12"	
278031	Inside Corner with Drywall Flange	12" x 5" x 12"	12.75"	
278000	End Cap for Drywall Flange	5" x 5"		

**3-Sided Curtain Pocket with Dual Acoustical Flanges for Traditional Metal Framing**

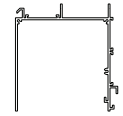
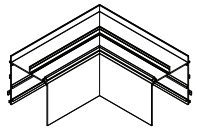
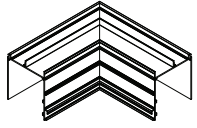
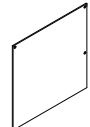
278032	3-Sided Pocket with Dual Acoustical Flanges	5" x 5" x 5"	120"	
278070	Interchangeable Corner with Dual Acoustical Flange	12" x 5" x 12"	12"	
278034	End Cap for Dual Acoustical Flanges	5" x 5"		

 **Low Emissions (VOC)**  
CDPH 01350 v1.2-2017 compliance on select finishes, see usg.com for more details and documentation.

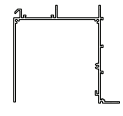
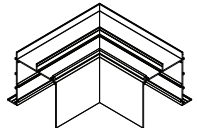
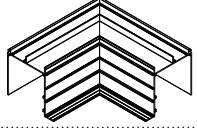
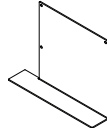
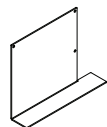
**3-Sided Curtain Pocket with Dual Drywall Flanges for Traditional Metal Framing**

Item	Description	Size	Length	
278035	3-Sided Pocket with Dual Drywall Flanges	5" x 5" x 5"	120"	
278069	Interchangeable Corner with Dual Drywall Flanges	12" x 5" x 12"	12"	
278033	End Cap for Dual Drywall Flanges	5" x 5"		

**3-Sided Curtain Pocket with Extension Connector Flange with Integrated Framing Channel**

278047	3-Sided Pocket with Extension Connector Flange	5" x 5" x 5"	120"	
278048	Outside Corner with Extension Connector Flange	12" x 5" x 12"	12"	
278049	Inside Corner with Extension Connector Flange	12" x 5" x 12"	12.75"	
278011	End Cap for Extension Connector Flange	5" x 5"		

**3-Sided Curtain Pocket with Acoustical Flange with Integrated Framing Channel**

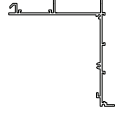
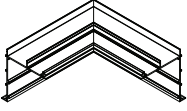

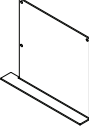
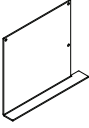
278616	3-Sided Seismic Pocket with Acoustical Flange	5" x 5" x 5"	120"	
278617	Seismic Outside Corner with Acoustical Flange	12" x 5" x 12"	12"	
278618	Seismic Inside Corner with Acoustical Flange	12" x 5" x 12"	12.75"	
278619	Seismic Right-Hand End Cap with Acoustical Flange	5" x 5"		
278620	Seismic Left-Hand End Cap with Acoustical Flange	5" x 5"		



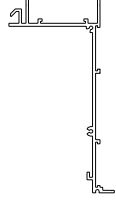


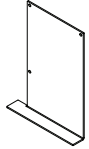
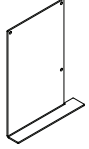
**Low Emissions (VOC)**


CDPH 01350 v1.2-2017 compliance on select finishes, see usg.com for more details and documentation.

**2-Sided Curtain Pocket with Acoustical Flange with Integrated Framing Channel**

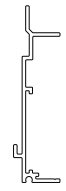
278036	2-Sided Pocket with Acoustical Flange	5" x 5" x 5"	120"	
278044	Outside Corner with Acoustical Flange	12" x 5" x 12"	12"	
278045	Inside Corner with Acoustical Flange	12" x 5" x 12"	12.75"	
278071	Right Hand End Cap with Acoustical Flange	5" x 5"		
278072	Left Hand End Cap with Acoustical Flange	5" x 5"		

**2-Sided Curtain Pocket with Acoustical Flange with Integrated Framing Channel**

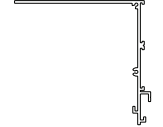
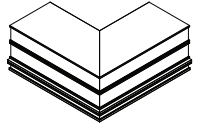
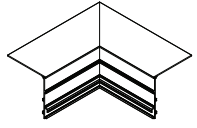
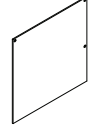
Item	Description	Size	Length	
278046	2-Sided Pocket with Acoustical Flange	3" x 6"	120"	
278068	Outside Corner with Acoustical Flange	12" x 6" x 12"	12"	
278067	Inside Corner with Acoustical Flange	12" x 6" x 12"	12.75"	
278013	Right Hand End Cap with Acoustical Flange	3" x 6"		
277999	Left Hand End Cap with Acoustical Flange	3" x 6"		

 **Low Emissions (VOC)**  
CDPH 01350 v1.2-2017 compliance on select finishes, see usg.com for more details and documentation.


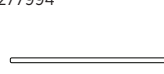
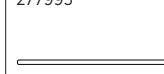

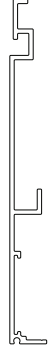

**1-Sided Curtain Pocket with Acoustical Flange**

278066	1-Sided Pocket with Acoustical Flange	3-1/2"	120"	
--------	---------------------------------------	--------	------	---

**2-Sided Curtain Pocket with Extension Connector Flange for Traditional Metal Framing**

278050	2-Sided Pocket with Extension Connector Flange	5" x 5"	120"	
278051	Outside Corner with Extension Connector Flange	12" x 5" x 12"	12"	
278052	Inside Corner with Extension Connector Flange	12" x 5" x 12"	12.75"	
278011	End Cap for Extension Connector Flange	5" x 5"		

**Accessories**


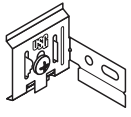
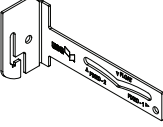
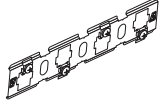
Closure Plates	2"	3"	4"
Item Number	277981	277994	277995
			
Pocket Extensions	4"	6"	8"
Item Number	277976	277977	277978
			



**Low Emissions (VOC)**

CDPH 01350 v1.2-2017 compliance on select finishes, see usg.com for more details and documentation.

**Accessories**

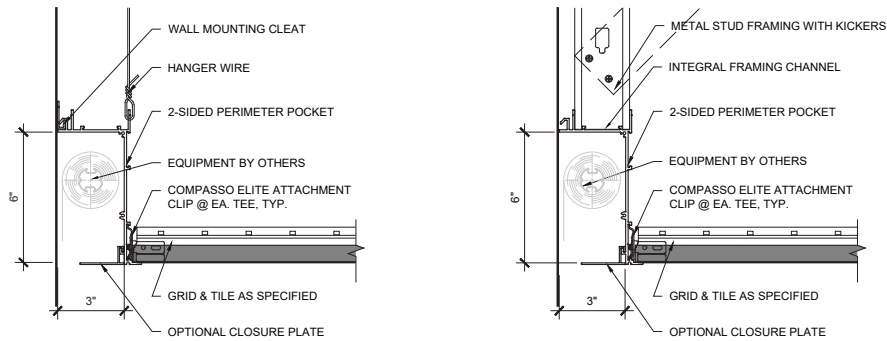
<b>Mounting Cleat</b>	277980	
<b>Attachment Clip</b>	279543	
<b>Seismic Attachment Clip</b>	278621	
<b>Splice Plate</b>	279540	

**Sample Submittal Kits**

Item	Description
600859	3-Sided Curtain Pocket with Acoustical Flange
600939	3-Sided Seismic Curtain Pocket with Acoustical Flange
600879	3-Sided Curtain Pocket with Drywall Flange
600898	3-Sided Curtain Pocket with Extension Connector Flange for Acoustical Flange
600899	2-Sided Curtain Pocket with Acoustical Flange
600929	2-Sided Curtain Pocket with Extension Connector Flange for Acoustical Flange

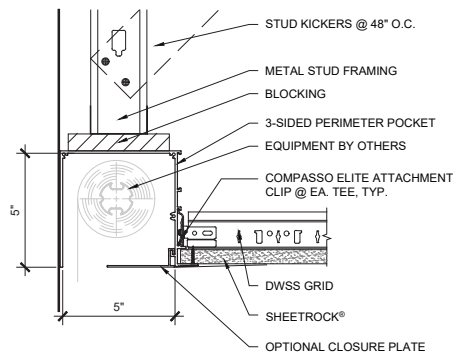
**Typical Application Details:**

**2-Sided Curtain Pocket with Acoustical Flange and Integrated Framing Channel**



**Typical Application Details:**

**3-Sided Curtain Pocket with Acoustical Flange for Traditional Metal Framing**

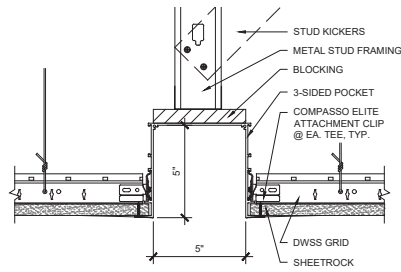


**Low Emissions (VOC)**

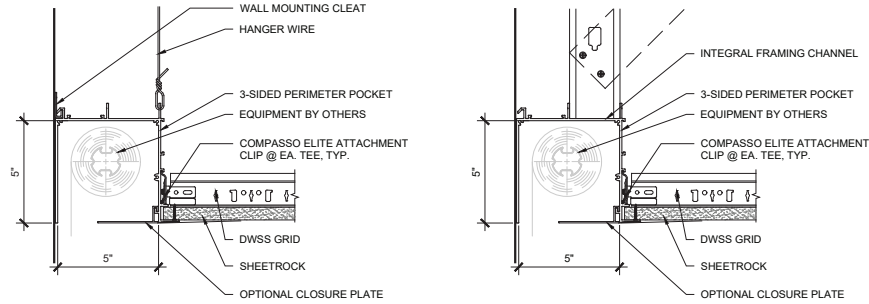
CDPH 01350 v1.2-2017 compliance on select finishes, see usg.com for more details and documentation.

**Typical Application Details:**

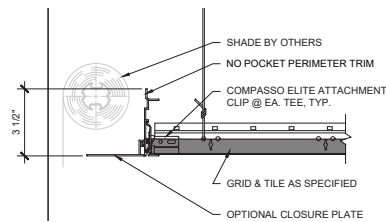
**3-Sided Curtain Pocket with Dual Drywall Flanges for Traditional Metal Framing**



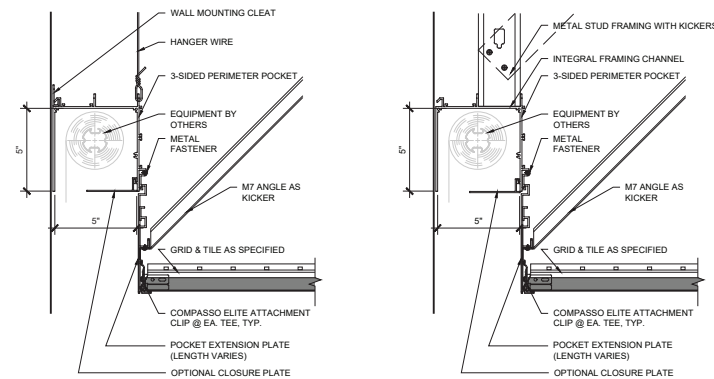
**3-Sided Curtain Pocket with Drywall Flange and Integrated Framing Channel**



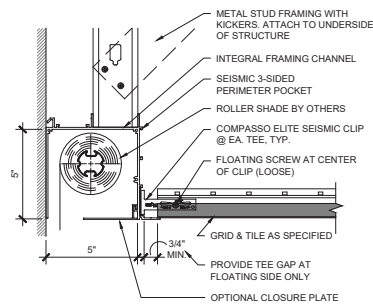
**1-Sided Curtain Pocket with Acoustical Flange**



**3-Sided Curtain Pocket with Extension Connector with Acoustical Flange and Integrated Framing Channel**



**3-Sided Seismic Curtain Pocket with Acoustical Flange and Integrated Framing Channel**



In Seismic Categories C, D-F, USG Curtain Pockets need to be installed on the floating side. Spaced should be configured to ensure wall with USG Curtain Pockets is floating. See ICC-ES ESR 1222 for more information.

**Notice**

The information in this document is subject to change without notice. CGC Inc. or USG Corp. assumes no responsibility for any errors that may inadvertently appear in this document.