

# USG COMPÄSSO™ STANDARD

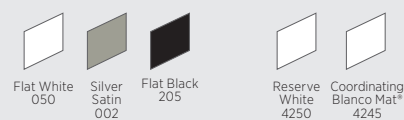
## PERIMETER TRIMS



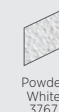
USG Compasso™ Standard Perimeter Trim with USG Halcyon™ Acoustical Panels/USG Donn® Brand Fineline® DXF™ Acoustical Suspension System

TO ORDER SAMPLES, GO TO [USG.COM](http://USG.COM) OR [CGCINC.COM](http://CGCINC.COM)

### PAINTED METALS

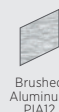


### POWDER-COATED METAL



Powder White 3767

### ANODIZED METAL



Brushed Aluminum PIA12

### TIMBRE™



### WOOD TONES\* - TEXTURED



### CUSTOM COLORS AVAILABLE



\*Wood Tones available in profiles up to 8"

### FEATURES AND BENEFITS

- Creates free-form ceiling islands or fascias to define space and provide visual impact.
- Available in variable trim heights.
- Made to order; arrives on-site pre-engineered.
- Strong, durable and long-lasting steel construction.

### APPLICATIONS

- Interior Applications
- Pods, Islands, and Clouds
- Sloped Ceilings
- Custom Curved Radius and Length
- Quick Ship Straights
- New Construction or Renovation



# USG COMPASSO™ STANDARD

## PERIMETER TRIMS

**ORDER SAMPLES/LITERATURE**  
 USG: usg.com or samplitt@usg.com  
 CGC: contact Sales Representative

**TECHNICAL SERVICES**  
 800.USG.4YOU (874-4968)

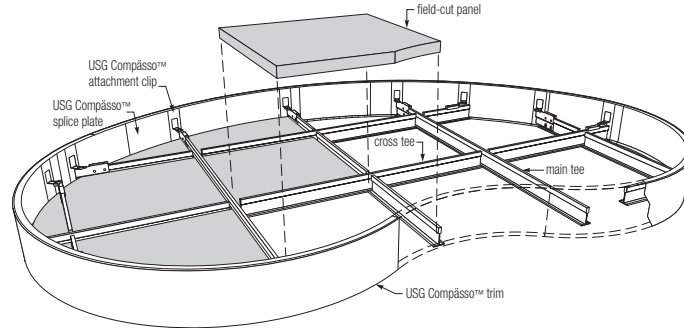
**FOR MOST UP-TO-DATE TECHNICAL INFORMATION AND LEED REPORT TOOL**  
 usgdesignstudio.com  
 cgcdesignstudio.com

### PRODUCT INFORMATION

Perspective

Materials	Finishes
Steel (10" & 12" Aluminum)	Painted, anodized, plated, powder coated

#### USG Compasso™ Standard

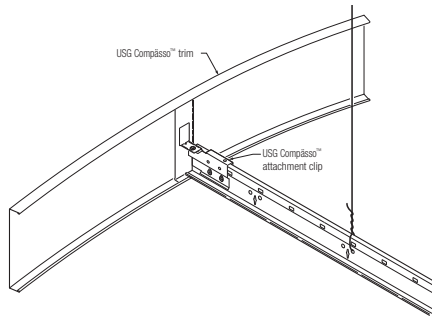


USG Compasso™ Standard

2-1/4"	4"	6"	8"	10"	12"

Attachment Clip

#### USG Compasso™ Standard



### PRODUCT DATA

#### High Recycled Content

USG classifies High Recycled Content as greater than 50%. Total recycled content is based on product composition of postconsumer and preconsumer (postindustrial) recycled content per FTC guidelines.

#### Product literature

System guide: IC400  
 Data sheet: IC5404  
 Warranty: SC2102  
 Care and maintenance instructions: IC518  
 Installation guide: IC464

#### Online tools

usgdesignstudio.com or cgcdesignstudio.com

The Timbre finish used on Compasso™ Standard incorporates a coating manufactured by a third party manufacturer which provides a 30-year limited warranty under the circumstances set forth in the warranty. This limited warranty is issued to USG Ceilings Plus, LLC and USG Interiors, LLC ("USG"). In the event our customer experiences a problem with the coating covered by the third party manufacturer's limited warranty, USG will use the information you provide to file a claim under the limited warranty.

- Minimum Radius (2-1/4", 4", 6" and 8") is 18".
- Minimum Radius (10" and 12") is 24".

#### Notice

The information in this document is subject to change without notice. CGC Inc. or USG Corp. assumes no responsibility for any errors that may inadvertently appear in this document.

#### IC5404/rev. 3-24

© 2024 USG Corporation and/or its affiliates. All rights reserved. Printed in USA

Manufactured by USG Interiors, LLC  
 550 West Adams Street  
 Chicago, IL 60661

The trademarks USG, CGC, BLANCO MAT, COMPASSO, DONN, DXF, FINELINE, HALCYON, TIMBRE, IT'S YOUR WORLD. BUILD IT., the USG/CGC logo, the design elements and colors, and related marks are trademarks of USG Corporation or its affiliates.

Safety First! Follow good safety/industrial hygiene practices during installation. Wear appropriate personal protective equipment. Read SDS and literature before specification and installation.

