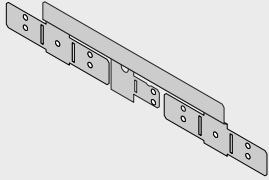


# LOGIX™ INTEGRATED CEILING SYSTEMS

## USG UTILITY MODULE BRACKET

### INSTALLATION GUIDE



- **Traditional Grid**
- **Traditional Ceiling Panels**
- **Traditional Utilities**

- **Traditional Grid**
- **Logix Ceiling Panel**
- **Logix Utility Channels Created with UMB Accessory**

USG is offering a new accessory option making it easy to create stylish and organized utility channels using standard grid. The USG Brand Utility Module Bracket (UMB) enables a versatile and economic approach to integrated ceiling design. The USG Utility Module Bracket can be used to create a dramatic suspended ceiling design statement with standard suspension system grid components.

This innovative grid accessory gives everyone from the architect and designer to the contractor and the installation crew the freedom and flexibility to transform traditional acoustical ceiling grid into a tailored design that integrates overhead functions, systems, and components. Now, even small spaces can be easily transformed into exciting, inspirational environments using standard suspension system grid. The UMB can be used to create 4 in., 6 in., 100 mm, and 150 mm utility channels and is compatible with three USG standard grid types. More details and step-by-step instructions for installing the UMB are included in this guide.



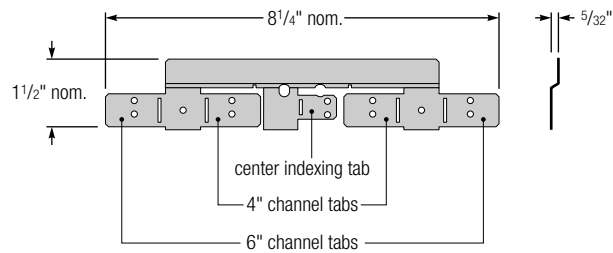
# USG UTILITY MODULE BRACKET

## Overview

The USG Utility Module Bracket (UMB) is a convenient and versatile suspension system accessory designed to easily create 4 in., 6 in., 100 mm, and 150 mm utility channels with standard USG ceiling grid. The USG Utility Module Bracket is designed to work with USG Centricitee™ DXT™/DXLT™, DX®/DXL™, and Identitee® DXI™ ceiling grid.

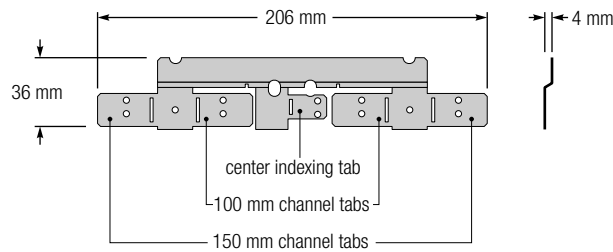
### IMPERIAL

#### 4-6 Utility Module Bracket (Imperial)



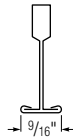
### METRIC

#### 100-150 Utility Module Bracket (Metric)

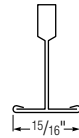


### GRID PROFILES

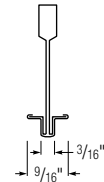
#### USG Centricitee DXT™/DXLT™



#### DX®/DXL™

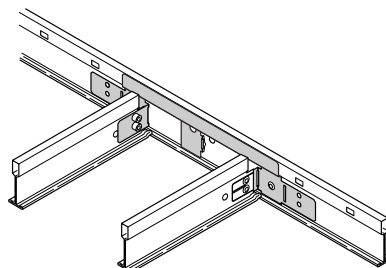


#### Identitee® DXI™

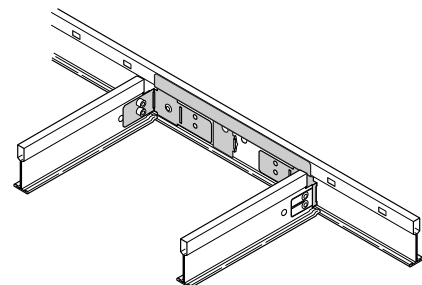


### UTILITY CHANNEL OPTIONS

#### 4 in. or 100 mm Utility Channel



#### 6 in. or 150 mm Utility Channel

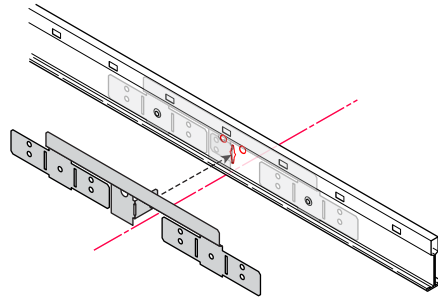


# USG UTILITY MODULE BRACKET

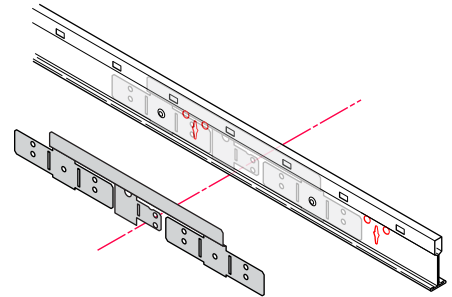
## GENERAL CONSIDERATIONS

### Overview

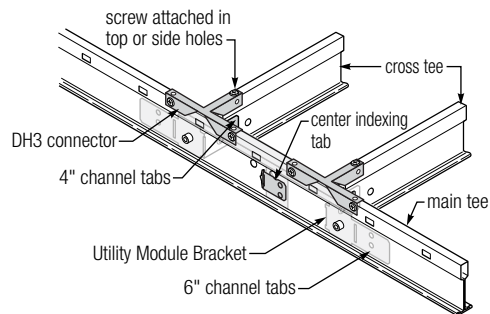
Indexing Tab In-Line with Keyhole



Indexing Tab Off-Line with Keyhole

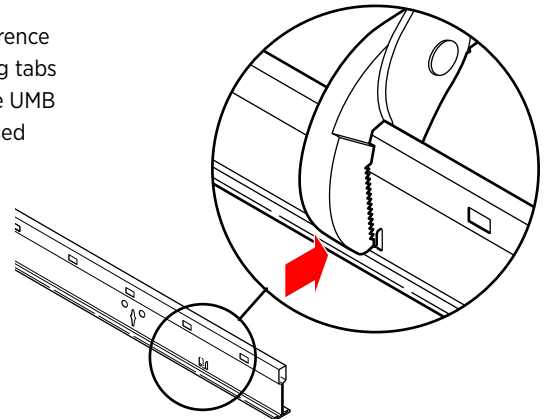


### Ashlar DH3 Seismic Application



### DXT and DXI Web Tabs

With some products, there will be interference between the UMB and the panel centering tabs along the grid body. In order to install the UMB properly, these tabs need to be compressed with a channel lock or large pliers.



# USG UTILITY MODULE BRACKET

## Overview

### TYPES OF CONDITIONS

#### CONTINUOUS CONDITION

- Utility channels continue across main tees creating linear, uninterrupted appearance.
- Two UMBs required at each main tee.  
See page 6.

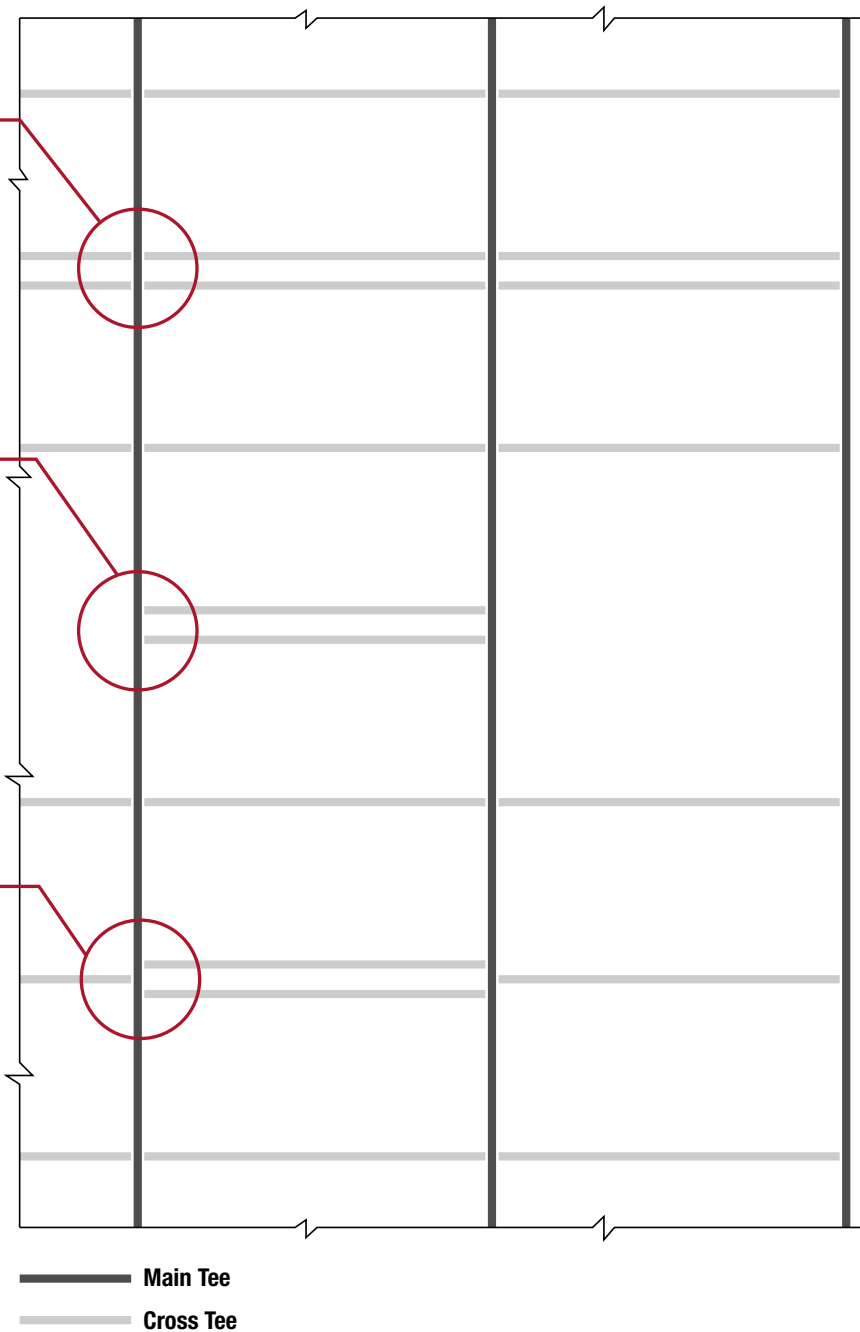
#### ASHLAR CONDITION

- Utility channel is non-continuous, positioned independently between two main tees.
- One UMB required on each end.
- DH3 for seismic applications.  
See page 11.

#### ASHLAR CONDITION, ALTERNATE

- Utility channel is non-continuous, positioned independently between two main tees and placed opposite a single cross tee.
- One UMB required on each end.  
See page 15.

Before installing the UMBs, review the placement of the utility channels relative to the main tees and cross tees in the Logix installation to determine the placement and number of UMB brackets required at each junction. There are three types of conditions.



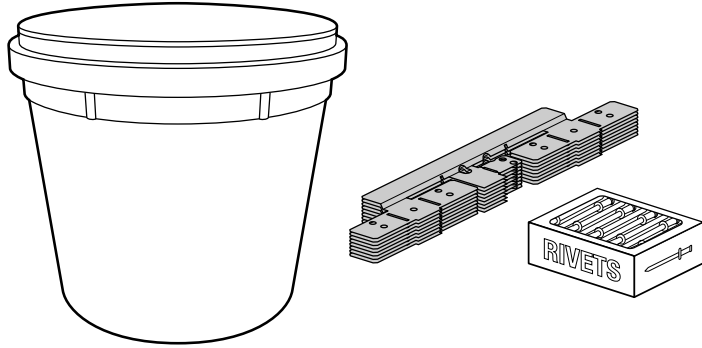
# USG UTILITY MODULE BRACKET

## UTILITY MODULE BRACKET PACKAGING

### Overview

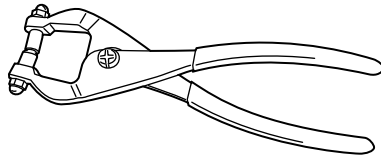
---

- Eight brackets
- 250 pop rivets
- convenient pail

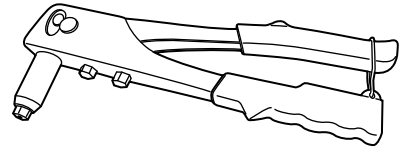


## TOOLS FOR INSTALLATION

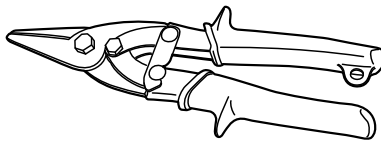
Hole Punch



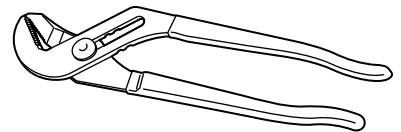
Rivet Gun



Aviation Snips



Channel Locks



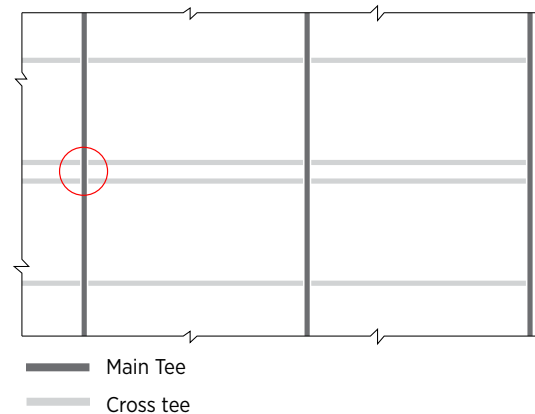
# CONTINUOUS CONDITION

## GENERAL CONSIDERATIONS

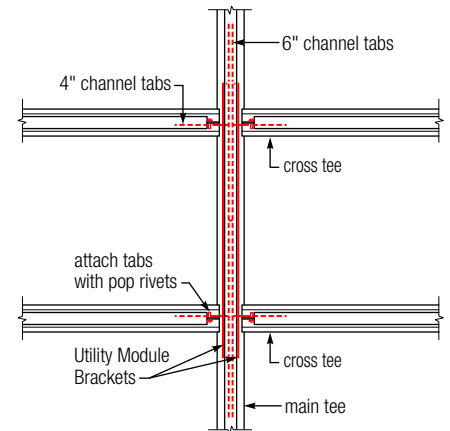
### INSTALLATION

- Utility channels continue across main tees creating linear, uninterrupted appearance.
- Two UMBs are required.
- Install all the necessary UMBs prior to securing the cross tees.
- For DXT and DXI, compress the web tabs with large pliers or channel locks prior to installing the UMB.
- Where the centerline of the utility channel does not align with a cross tee hole in the main tee, the UMB may be secured to the main tee without inserting the center indexing tab through the tee.

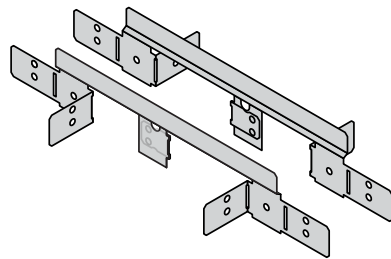
Continuous Condition



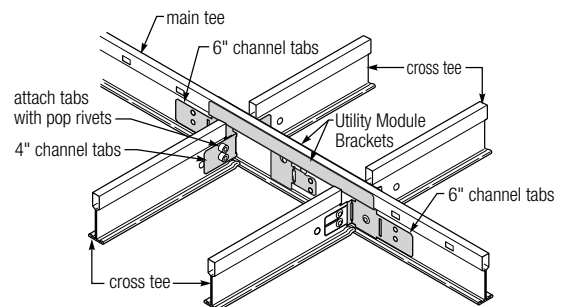
View from Above



UMB with Folded Tabs



Completed Assembly

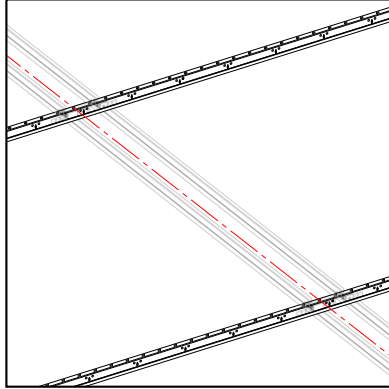


# CONTINUOUS CONDITION

## INSTALLATION

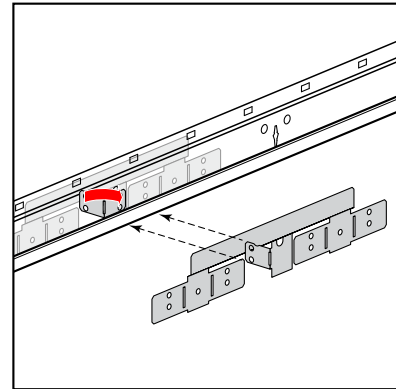
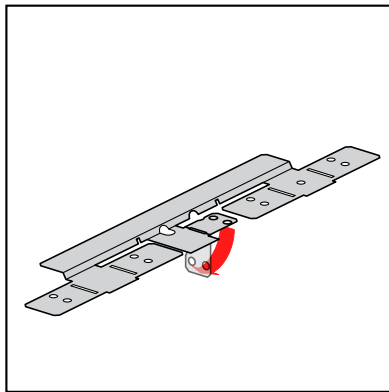
### STEP 1

Determine the centerline of the utility opening.



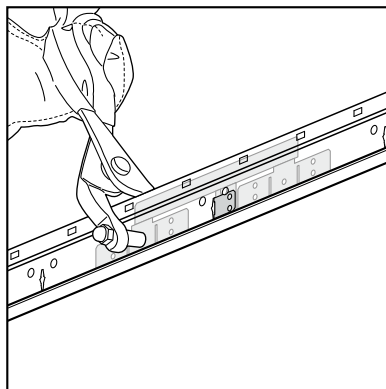
### STEP 2

Fold out the center indexing tab on the first UMB 90° and insert it through the cross tee hole on the main tee. Then, bend it back 90°.



### STEP 3

Using the UMB as a template, punch attachment holes through the main tee.

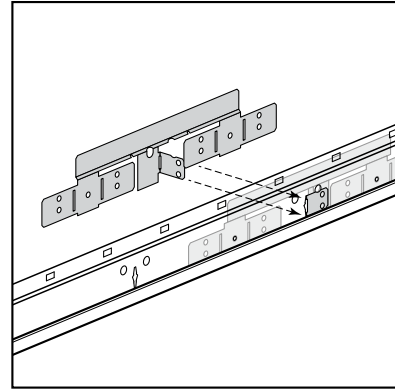
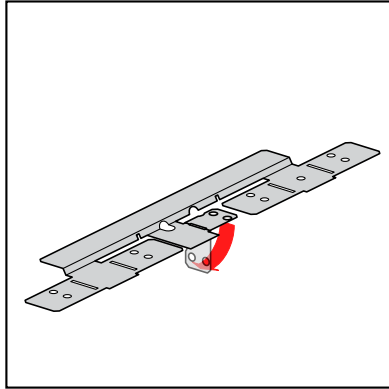


# CONTINUOUS CONDITION

## INSTALLATION

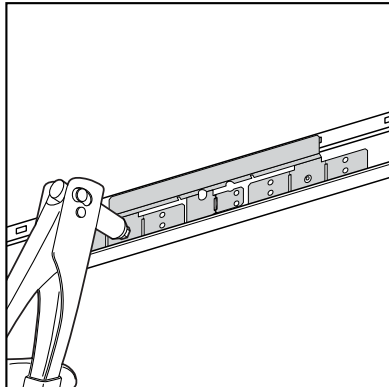
### STEP 4

Repeat Step 2 on the opposing side of the main tee.



### STEP 5

Secure both UMBs to the main tee by inserting pop rivets through the pilot holes created in Step 3.

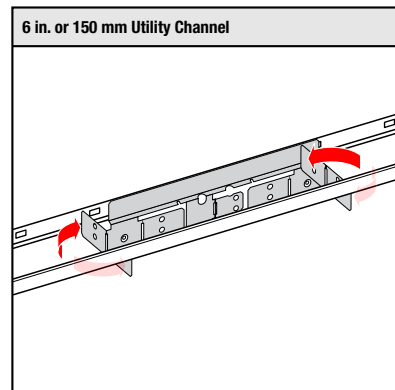
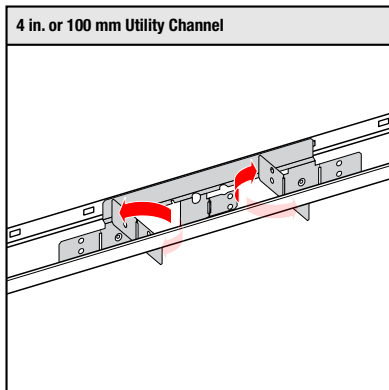


### STEP 6

Fold out the attachment tabs per the utility channel opening on both UMBs.

**4 in. or 100 mm utility channels** Fold inner tabs.

**6 in. or 150 mm utility channels** Fold outer tabs.



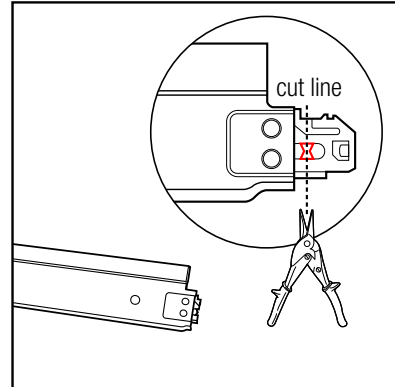
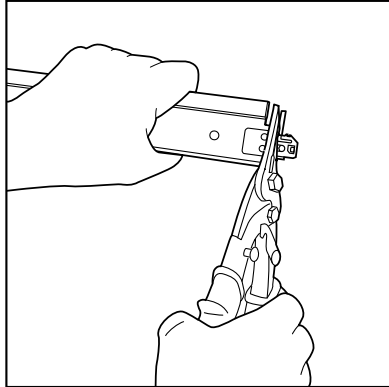


# CONTINUOUS CONDITION

## INSTALLATION

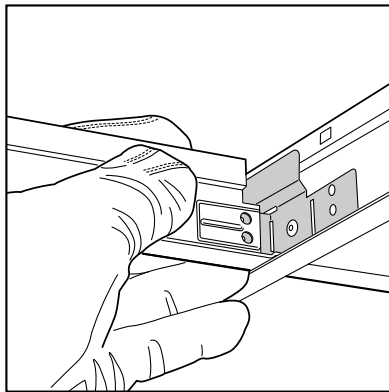
### STEP 7

Using snips, cut off the cross tee clips through the center of the hourglass shape.



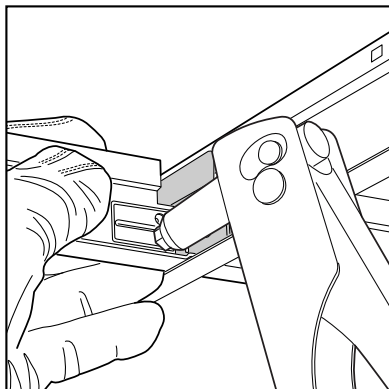
### STEP 8

Place the tee aligning the hole against the out-folded tabs (four tabs total)



### STEP 9

With the tee held tight against the outside of the UMB tab, secure the tee with the two pop rivets provided (four tabs total).

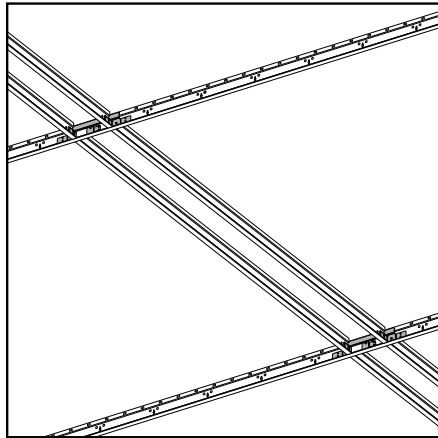


# CONTINUOUS CONDITION

## INSTALLATION

---

FINISHED ASSEMBLY



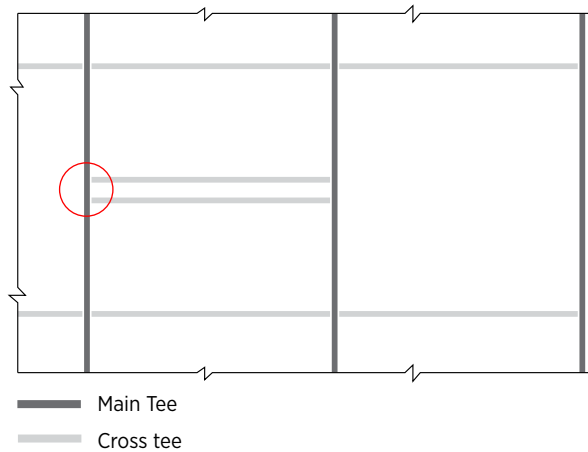
# ASHLAR CONDITION

## GENERAL CONSIDERATIONS

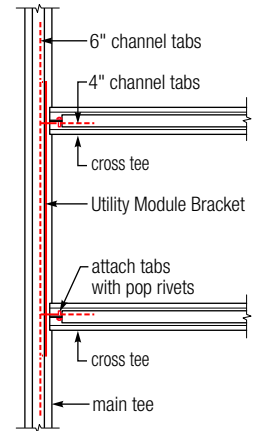
### INSTALLATION

- Utility channel is non-continuous, positioned independently between two main tees.
- One UMB is required.
- Install all the necessary UMBs prior to securing the cross tees.
- For DXT and DXI, compress the web tabs with large pliers or channel locks prior to installing the UMB.
- Where the centerline of the utility channel does not align with a cross tee hole in the main tee, the UMB may be secured to the main tee without inserting the center indexing tab through the tee.

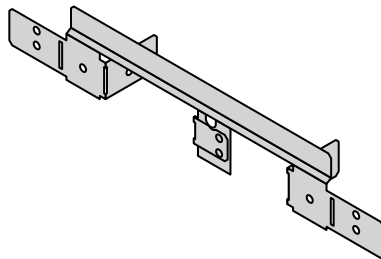
Ashlar Condition



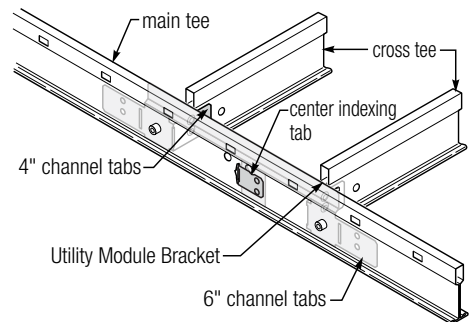
View from Above



UMB with Folded Tabs



Completed Assembly

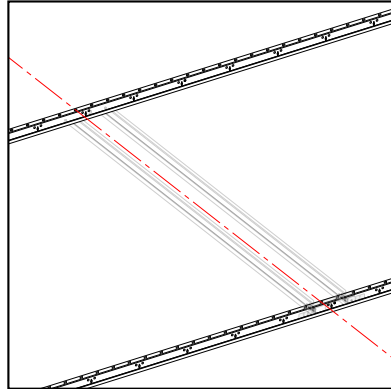


# ASHLAR CONDITION

## INSTALLATION

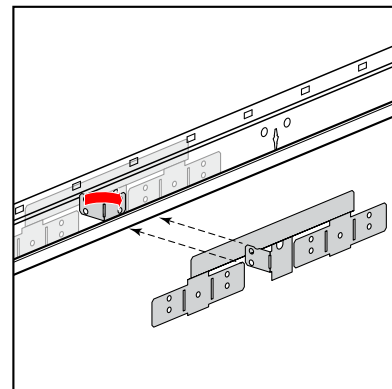
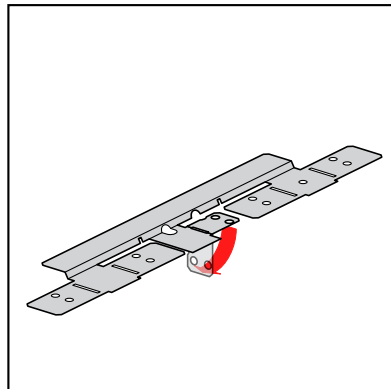
### STEP 1

Determine the centerline of utility opening.



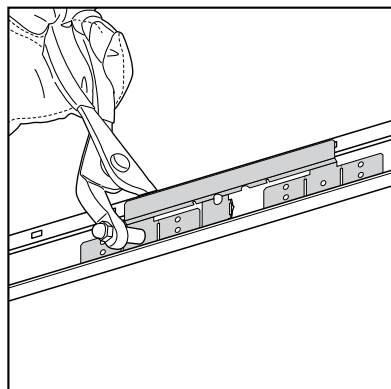
### STEP 2

Fold out the center indexing tab on the UMB 90° and insert it through the cross tee hole on the main tee. Then, bend it back 90°.



### STEP 3

Using the UMB as a template, punch attachment holes through the main tee.

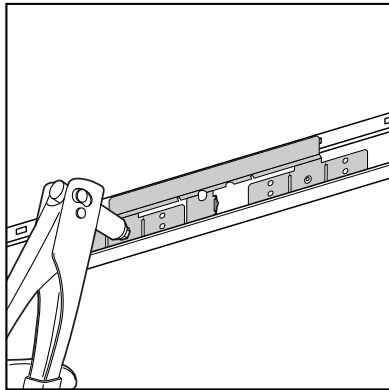


# ASHLAR CONDITION

## INSTALLATION

### STEP 4

Secure the UMB to the main tee by inserting pop rivets through the pilot holes from Step 3.

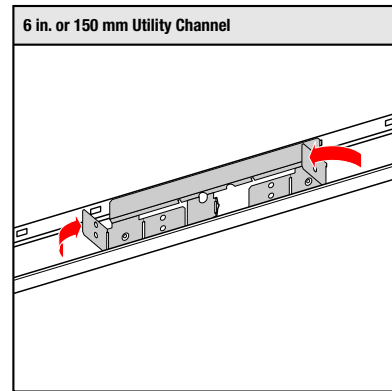
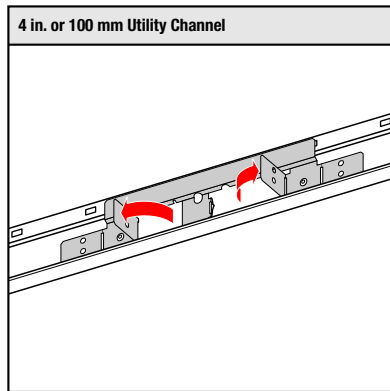


### STEP 5

Fold out the attachment tabs per the utility channel opening.

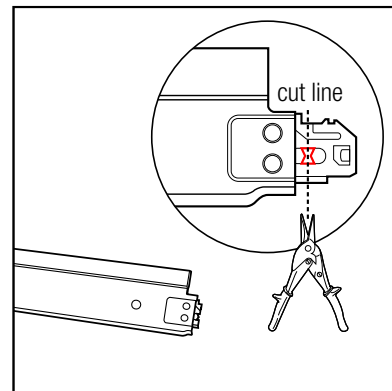
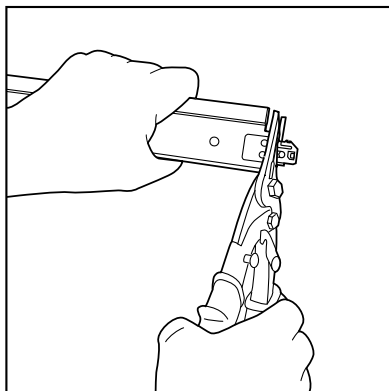
**4 in. or 100 mm utility channels** Fold inner tabs.

**6 in. or 150 mm utility channels** Fold outer tabs.



### STEP 6

Using snips, cut off the cross tee clips through the center of the hourglass shape.

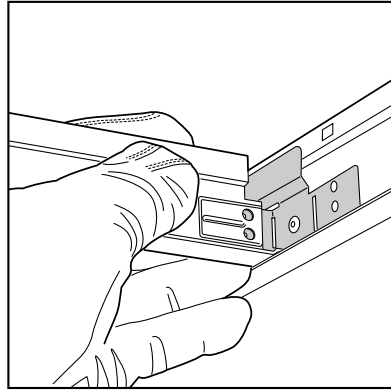


# ASHLAR CONDITION

## INSTALLATION

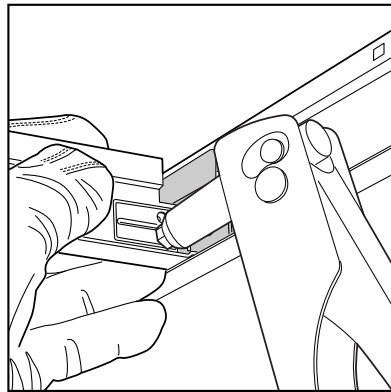
### STEP 7

Place the tee aligning the hole against the out-folded tabs.

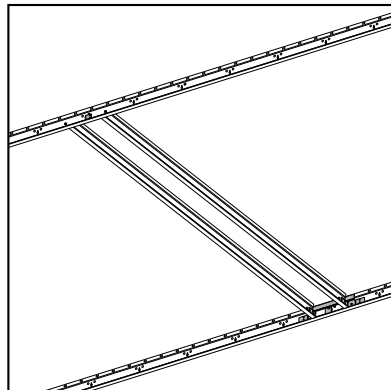


### STEP 8

With the tee held tight against the outside of the UMB tab, secure the tee with the two pop rivets provided.



### FINISHED ASSEMBLY



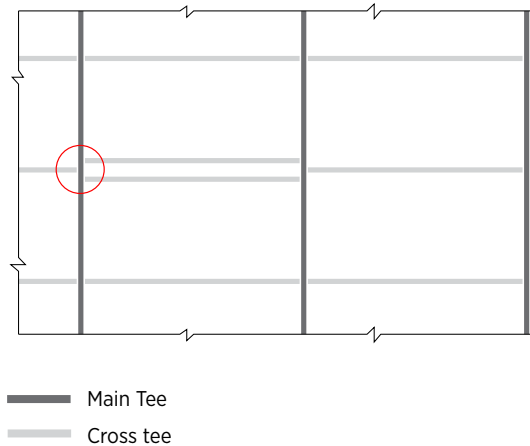
# ASHLAR CONDITION, ALTERNATE

## GENERAL CONSIDERATIONS

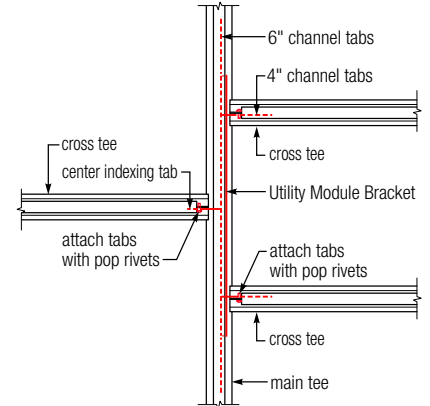
### INSTALLATION

- Utility channel is non-continuous, positioned independently between two main tees and placed opposite a single cross tee.
- One UMB is required.
- Install all the necessary UMBs prior to securing the cross tees.
- For DXT and DXI, compress the web tabs with large pliers or channel locks prior to installing the UMB.
- Where the centerline of the utility channel does not align with a cross tee hole in the main tee, the UMB may be secured to the main tee without inserting the center indexing tab through the tee.

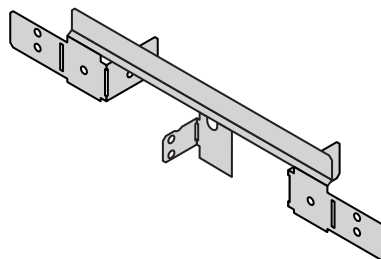
Ashlar Condition, Alternate



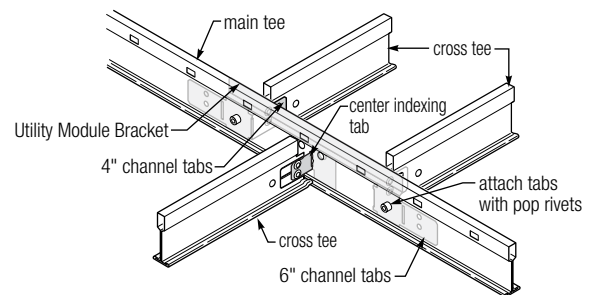
View from Above



UMB with Folded Tabs



Completed Assembly

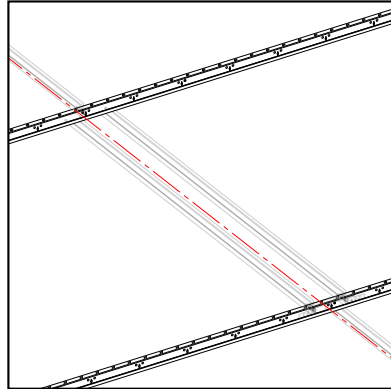


# ASHLAR CONDITION, ALTERNATE

## INSTALLATION

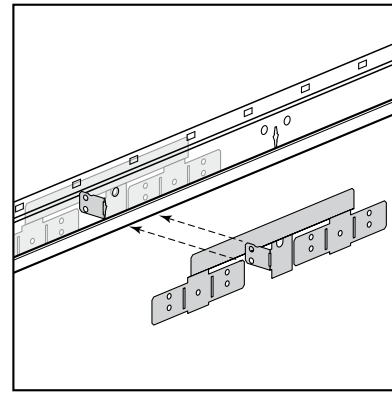
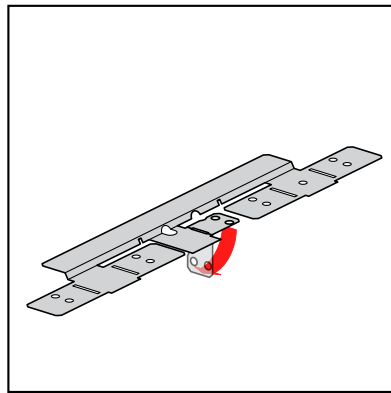
### STEP 1

Determine the centerline of the utility opening.



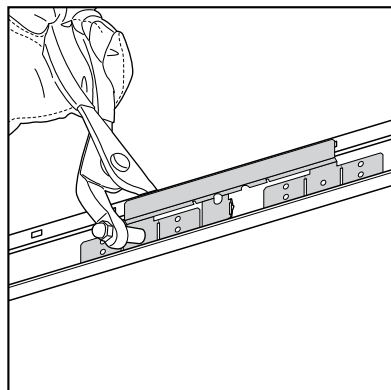
### STEP 2

Fold out the center indexing tab on the UMB 90° and insert it through the cross tee hole on the main tee.



### STEP 3

Using the UMB as a template, punch attachment holes through the main tee.



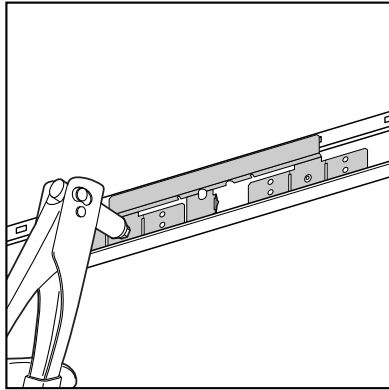


# ASHLAR CONDITION, ALTERNATE

## INSTALLATION

### STEP 4

Secure the UMB to the main tee by inserting pop rivets through the pilot holes from Step 3.

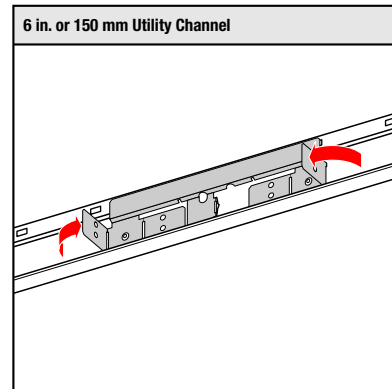
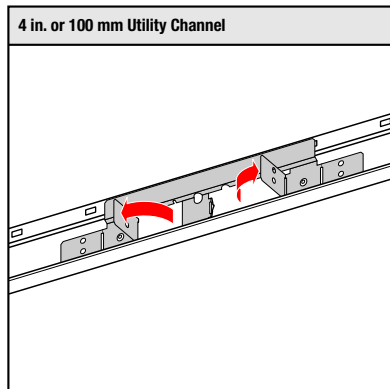


### STEP 5

Fold out the attachment tabs per the utility channel opening.

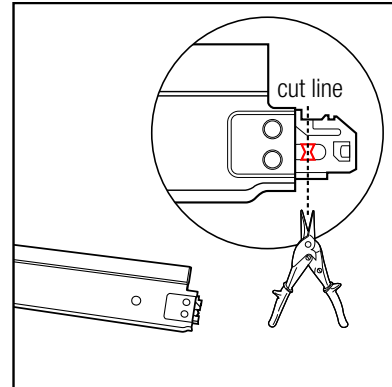
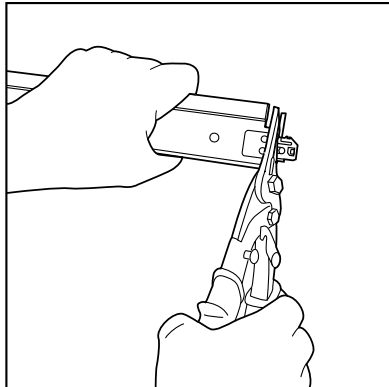
**4 in. or 100 mm utility channels** Fold inner tabs

**6 in. or 150 mm utility channels** Fold outer tabs



### STEP 6

Using snips, cut off the cross tee clips through the center of the hourglass shape.



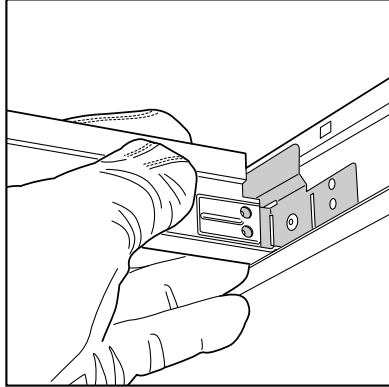
# ASHLAR CONDITION, ALTERNATE

## INSTALLATION

---

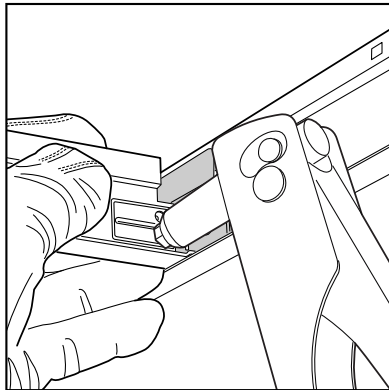
### STEP 7

Place the tee aligning the hole against the out-folded tabs.



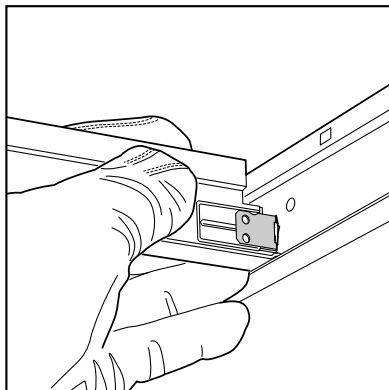
### STEP 8

With the tee held tight against the outside of the UMB tab, secure the tee with the two pop rivets provided.



### STEP 9

Insert the remaining opposing tee into the keyhole as normal, aligning the hole against the out-folded center indexing tab.



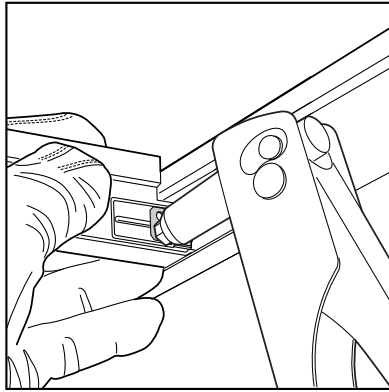
## ASHLAR CONDITION, ALTERNATE

### INSTALLATION

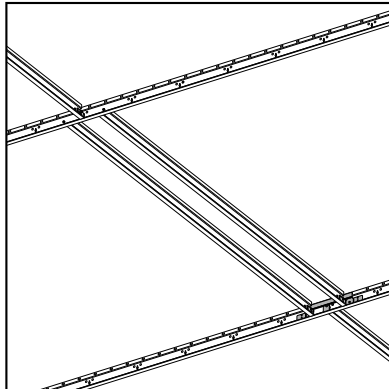
---

#### STEP 10

With the tee held tight against the *center* index tab of the UMB, secure the tee with the two pop rivets provided.



#### FINISHED ASSEMBLY



## WEBSITES

usg.com

cgcinc.com

usgdesignstudio.com

cgcdesignstudio.com

## TECHNICAL SERVICE

800 USG.4YOU

800 874.4968

## CUSTOMER SERVICE

USG 800 950.3839

CGC 800 387.2690

## PRODUCT INFORMATION

See usg.com for the most up-to-date product information.

## INSTALLATION

Must be installed in compliance with ASTM C636, ASTM E580, CISCA and standard industry practices, within all applicable code requirements. Alternative assemblies and installation methods may be utilized when approved by the Authority Having Jurisdiction. USG recommends checking with the Authority Having Jurisdiction prior to designing and installing a suspended ceiling system.

## CODE COMPLIANCE CODE COMPLIANCE

The information presented is correct to the best of our knowledge at the date of issuance. Because codes continue to evolve, check with a local official prior to designing and installing a ceiling system. Other restrictions and exemptions may apply. This is only intended as a quick installation reference.

## ICC EVALUATION SERVICE, INC., REPORT COMPLIANCE

Suspension systems manufactured by USG Interiors, Inc., have been reviewed and are approved by listing in ICC-ES Evaluation Report I222. Evaluation Reports are subject to reexamination, revision and possible cancellation. Please refer to usgdesignstudio.com or usg.com for current reports.

## L.A. RESEARCH REPORT COMPLIANCE

DONN brand suspension systems manufactured by USG Interiors, Inc., have been reviewed and are approved by listing in the following L.A. Research Report number: 25764.

## NOTICE

We shall not be liable for incidental and consequential damages, directly or indirectly sustained, nor for any loss caused by application of these goods not in accordance with current printed instructions or for other than the intended use. Our liability is expressly limited to replacement of defective goods. Any claim shall be deemed waived unless made in writing to us within thirty (30) days from date it was or reasonably should have been discovered.

## SAFETY FIRST!

Follow good safety/industrial hygiene practices during installation. Wear appropriate personal protective equipment. Read MSDS and literature before specification and installation.

AC3307/rev. 4-14

© 2014, USG Corporation or its affiliates. All rights reserved. The trademarks CENTRICITEE, DONN, DX, DXI, DXL, DXLT, DXT, IDENTITEE, LOGIX, USG, IT'S YOUR WORLD BUILD IT, the USG logo and related marks are trademarks of USG Interiors, LLC or a related company.

Manufactured by  
USG Interiors, Inc.  
550 West Adams Street  
Chicago, IL 60661

**USG**  **CGC**  
IT'S YOUR WORLD. BUILD IT.™