

PARALINE® PLUS & PARALINE® I, II, III CEILING SYSTEMS

CRITICAL SYSTEM DIMENSIONS

With Paraline® Ceiling Systems from USG, and with a wide selection of utility manufacturers, you can be assured that ceiling utilities will integrate seamlessly into the ceiling.

This guide is a comprehensive resource for the critical dimensions of Paraline® Ceiling Systems.

The guide outlines how different linear utilities (by others) could integrate with Paraline® systems. Those utilities could be installed as lay-in (recessed) or flush with face of pans. The flush installation could be with or without utility flange.



USG Paraline® Plus 3" Linear Metal Ceiling in Wood Tone Dark Cherry
Virginia Tech Student Athlete Performance Center
Architect: Hanbury, Photo: ©Jordan Gray, Hanbury

PARALINE® PLUS CEILING SYSTEMS

USG Paraline® Plus is a linear ceiling system consisting of 12' long aluminum linear pans attached to the engineered Paralock® Plus suspension system. The reveal between the pans may be left open for acoustical control or closed with Snap-Loc Recessed. Standard accessories are available to handle most perimeter situations. Lighting and air distribution components easily integrate with the suspension system and pans to meet design requirements.

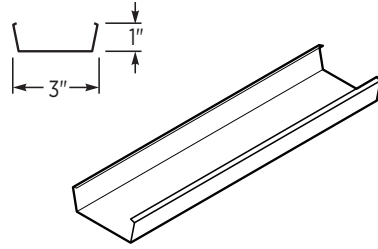


USG Paraline® Plus 3" Linear Metal Ceiling in Wood Tone Dark Cherry
Virginia Tech Student Athlete Performance Center
Architect: Hanbury, Photo: ©Jordan Gray, Hanbury

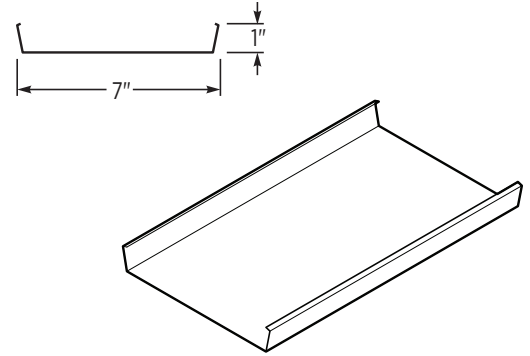
PARALINE® PLUS SYSTEM COMPONENTS

PANS

Paraline® Plus 3 in. Pan

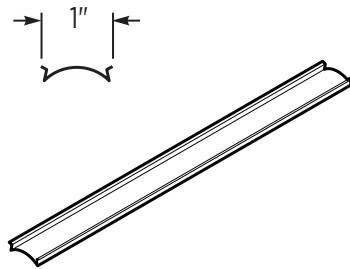


Paraline® Plus 7 in. Pan



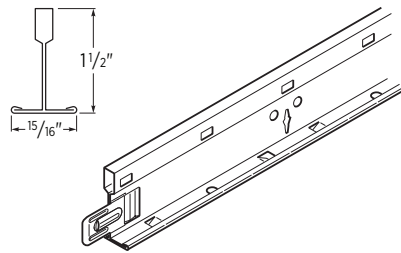
INSERTS

Snap-Loc Recessed Insert - 1 in. x 144 in.

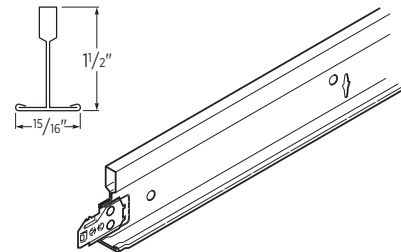


SUSPENSION SYSTEM

Paralock® Plus Main Tee

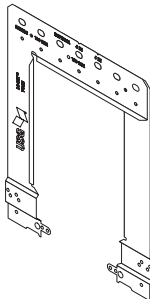


DX® Cross Tee

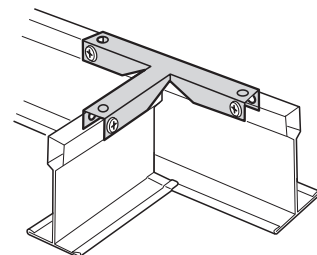


ACCESSORIES

USG Logix™ Universal Yoke

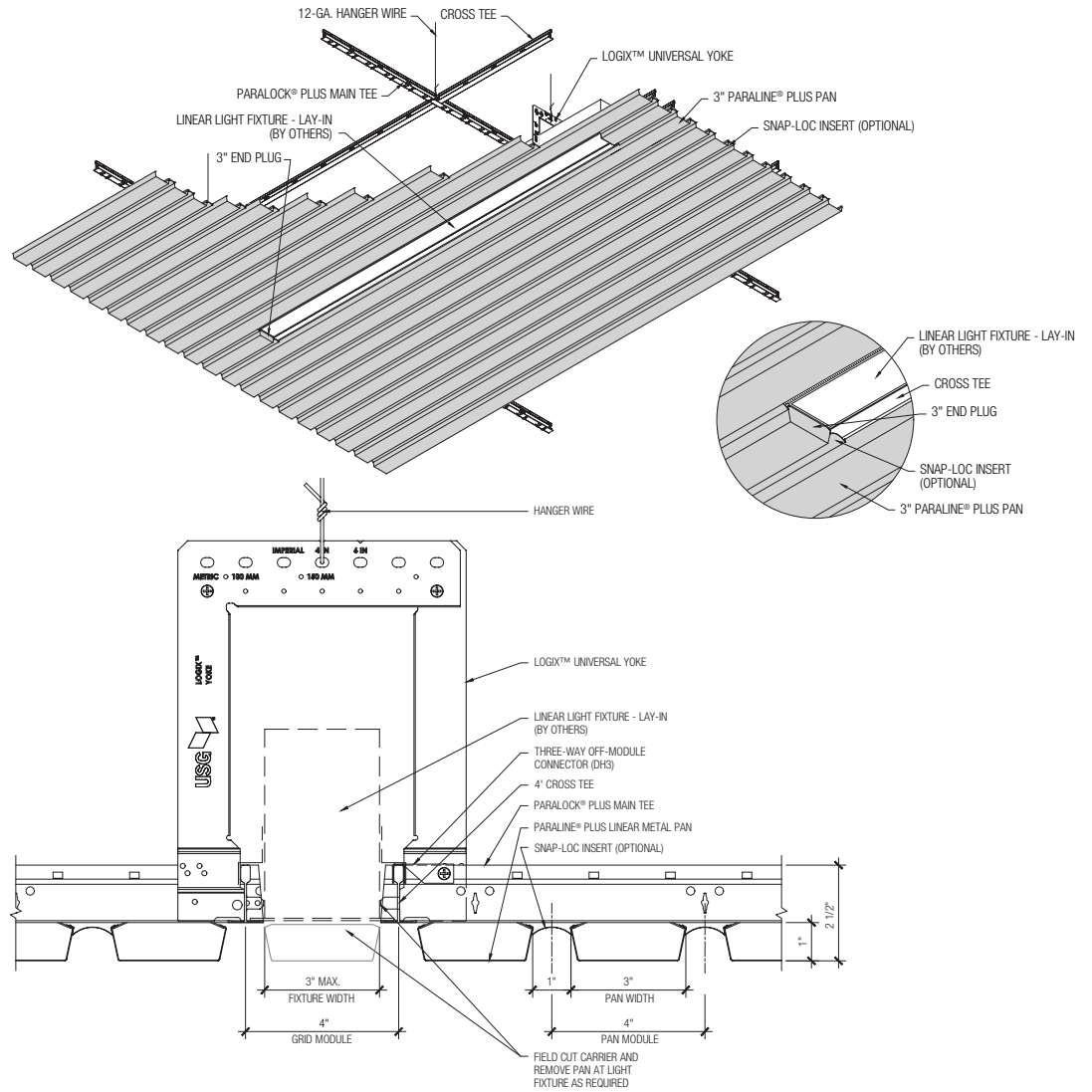


Three-Way Off-Module Connector

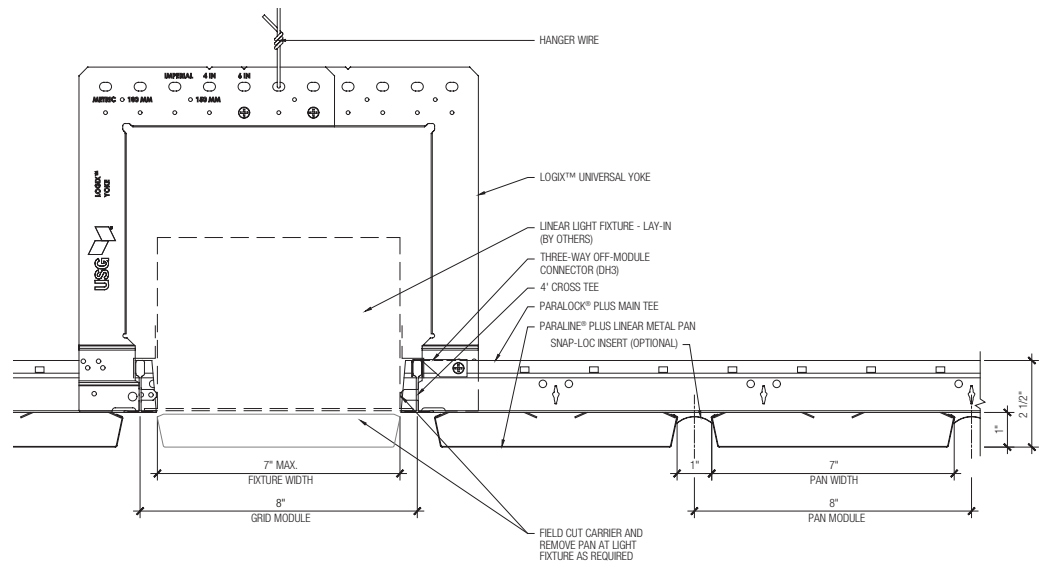


PARALINE® PLUS ASSEMBLY

3" Paraline® Plus with Lay-In Light Fixture

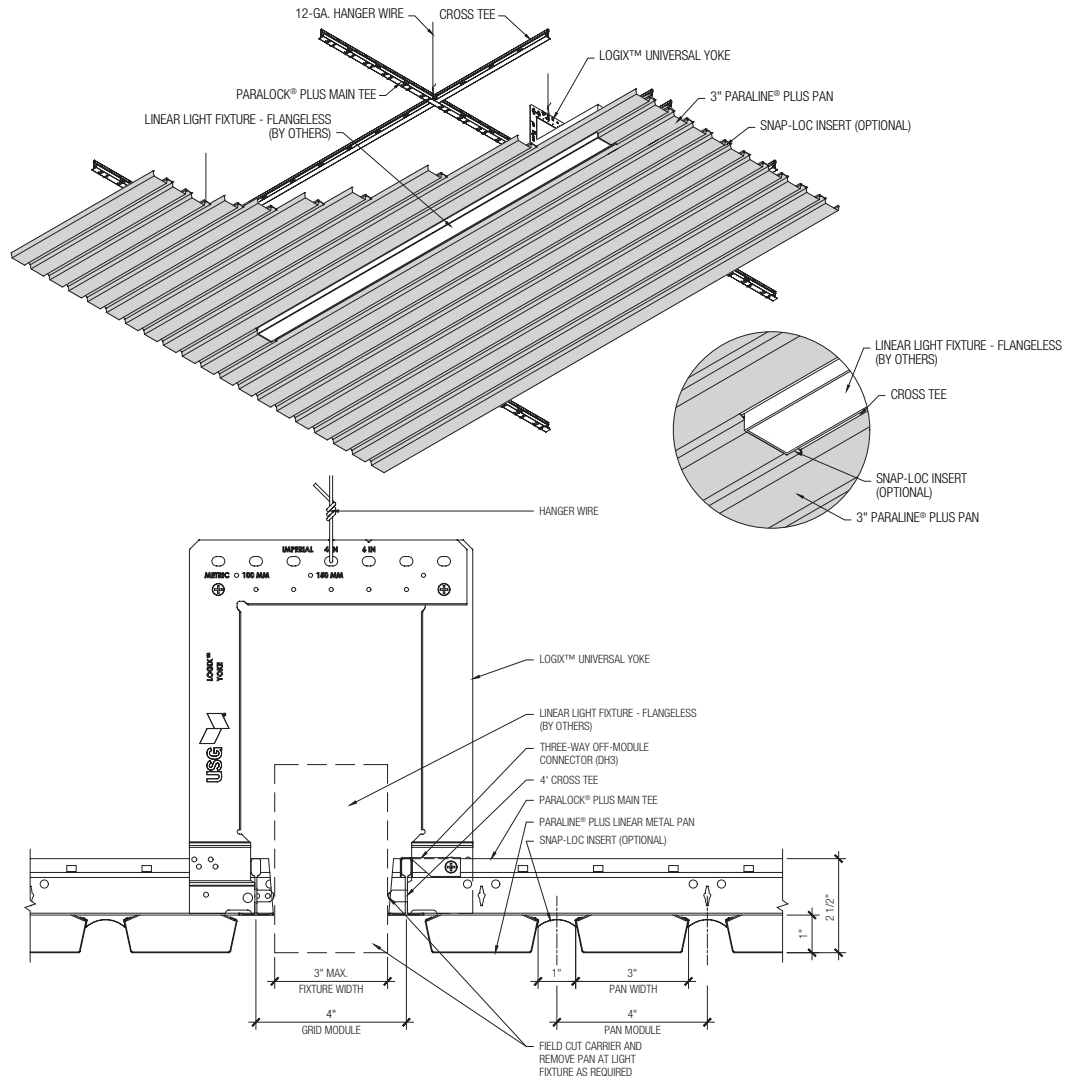


7" Paraline® Plus with Lay-In Light Fixture

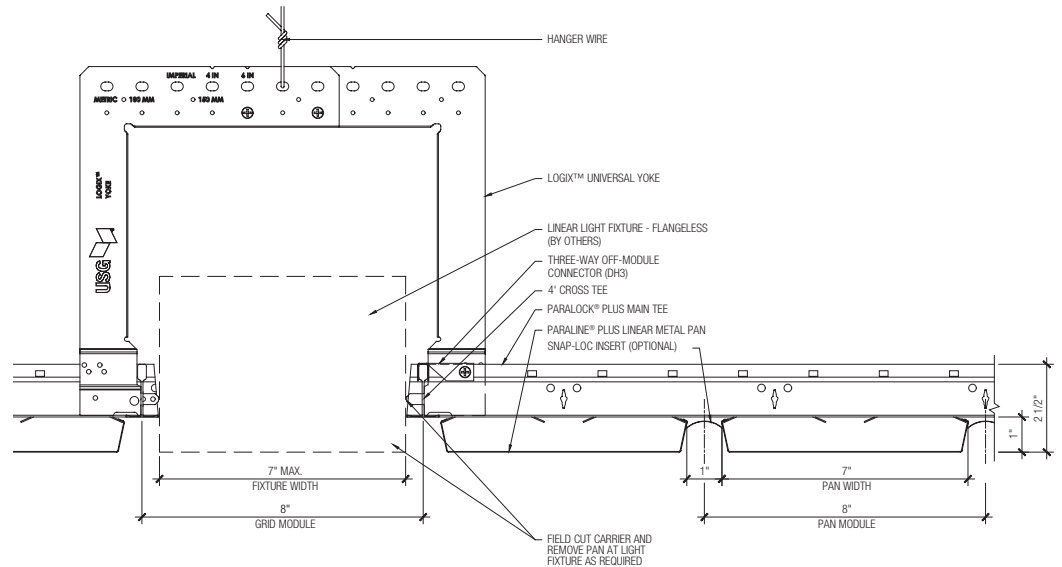


PARALINE® PLUS ASSEMBLY

3" Paraline® Plus with Flangeless Light Fixture

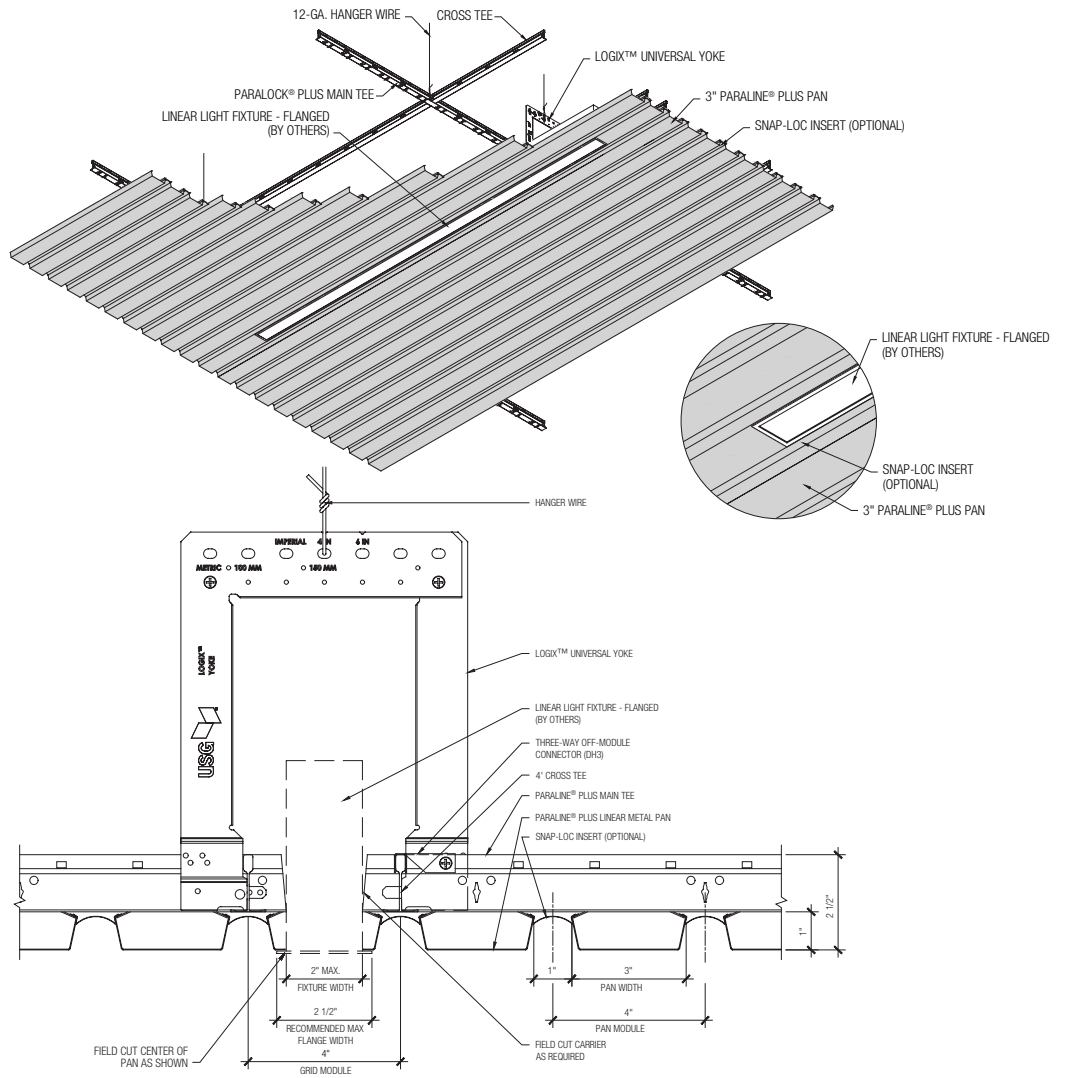


7" Paraline® Plus with Flangeless Light Fixture

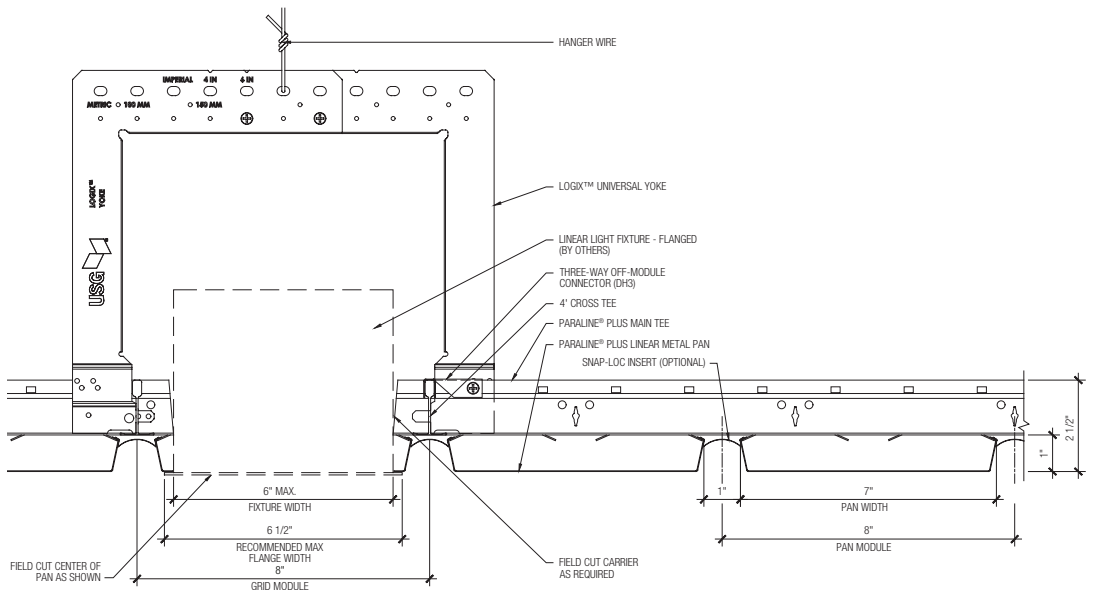


PARALINE® PLUS ASSEMBLY

3" Paraline® Plus with Flanged Light Fixture – Variation 1

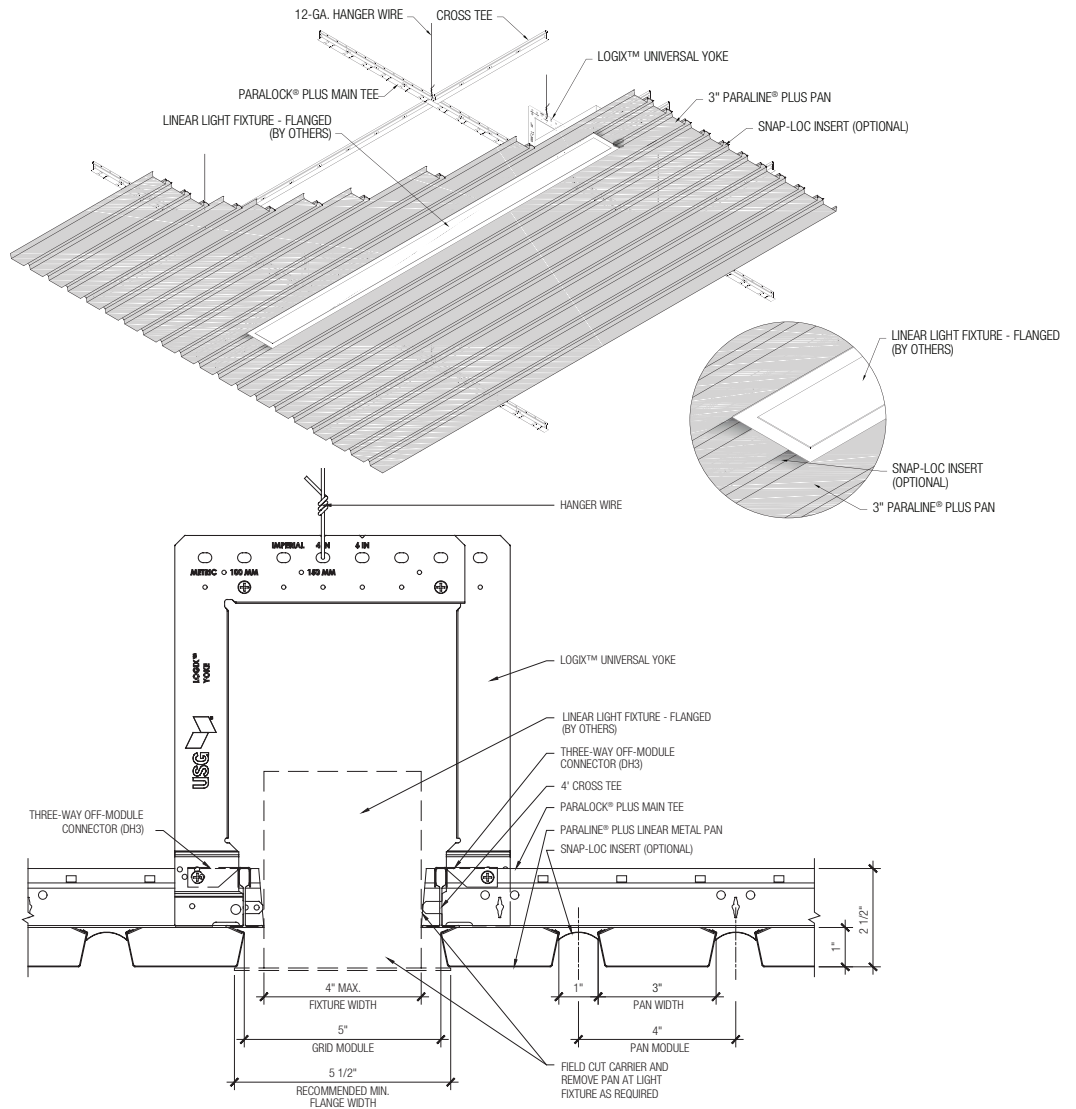


7" Paraline® Plus with Flanged Light Fixture – Variation 1

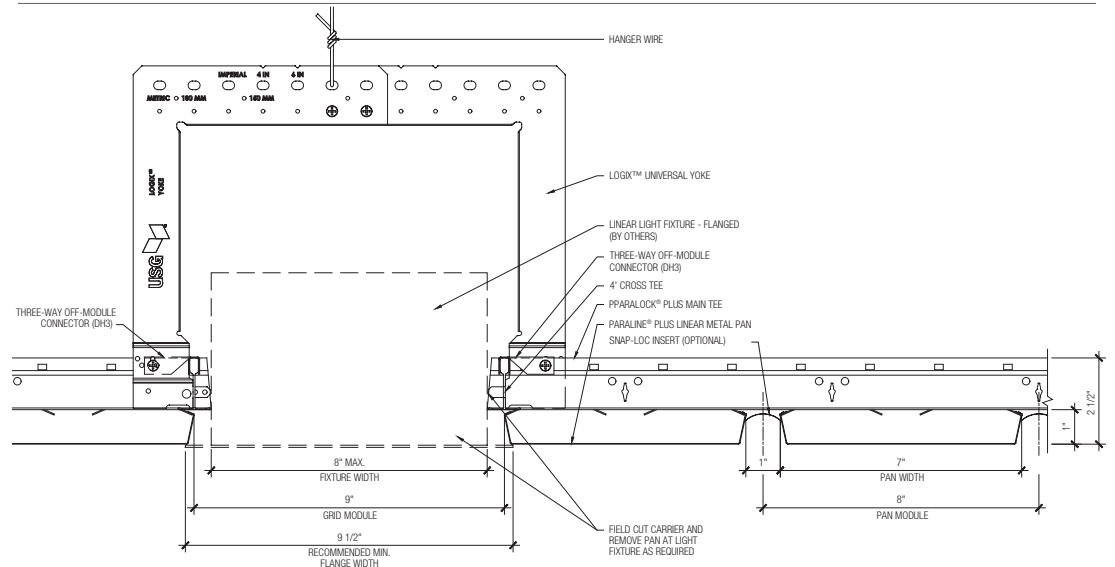


PARALINE® PLUS ASSEMBLY

3" Paraline® Plus with Flanged Light Fixture – Variation 2



7" Paraline® Plus with Flanged Light Fixture – Variation 2



PARALINE® I, II & III CEILING SYSTEMS

The Paralane® ceiling is a system of 12' long linear aluminum pans. To accommodate a range of applications, three pan systems have been developed.

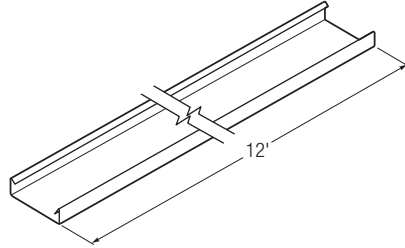
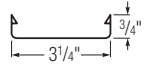


USG Paralane® II Linear
Metal System in Custom Finish

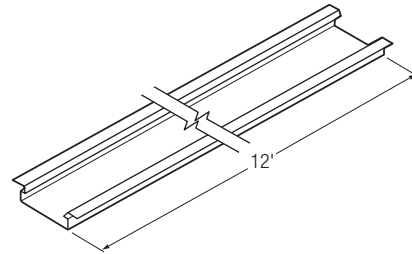
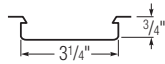
PARALINE® I, II & III SYSTEM COMPONENTS

PANS

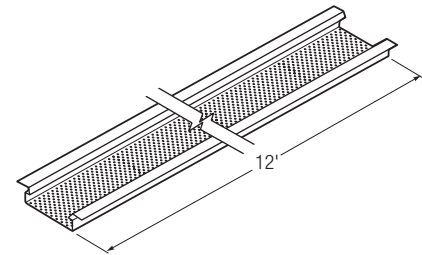
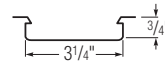
Paraline® I



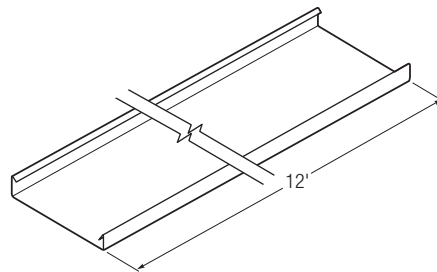
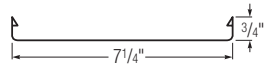
Paraline® II - Unperforated



Paraline® II - Perforated



Paraline® III

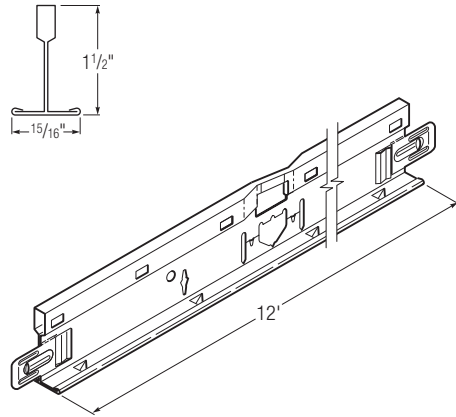


PARALINE® I, II & III SYSTEM COMPONENTS

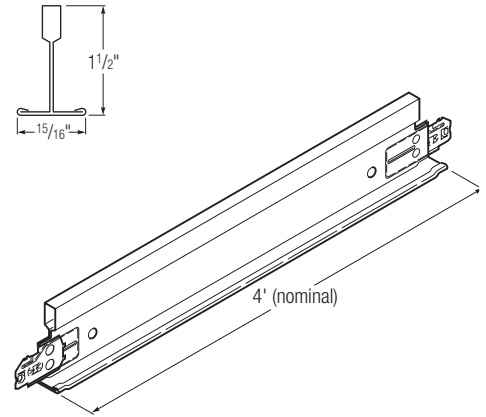
SUSPENSION SYSTEM

PARALOCK FIRE-RATED AND
AND NON-FIRE-RATED
APPLICATIONS

Paralock® Main Tee

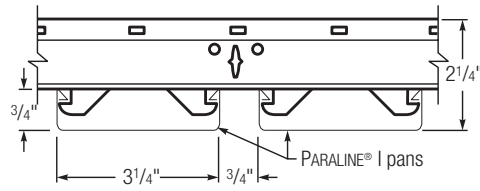


DX® Cross Tee (Black cap/face)

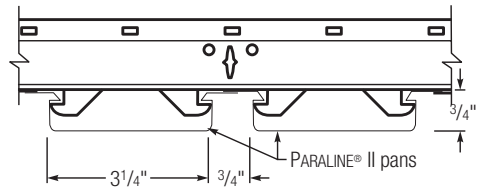


PARALOCK MAIN TEE
CARRIER APPLICATIONS

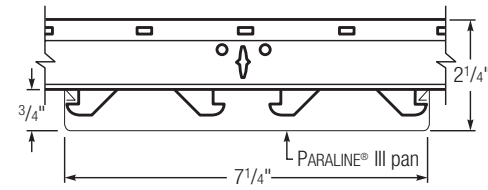
Paraline® I



Paraline® II

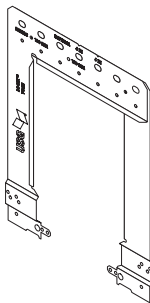


Paraline® III

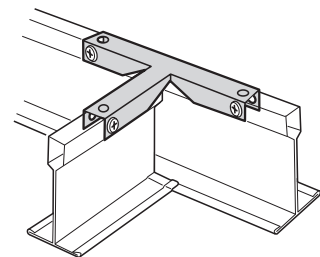


ACCESSORIES

USG Logix™ Universal Yoke



Three-Way Off-Module Connector

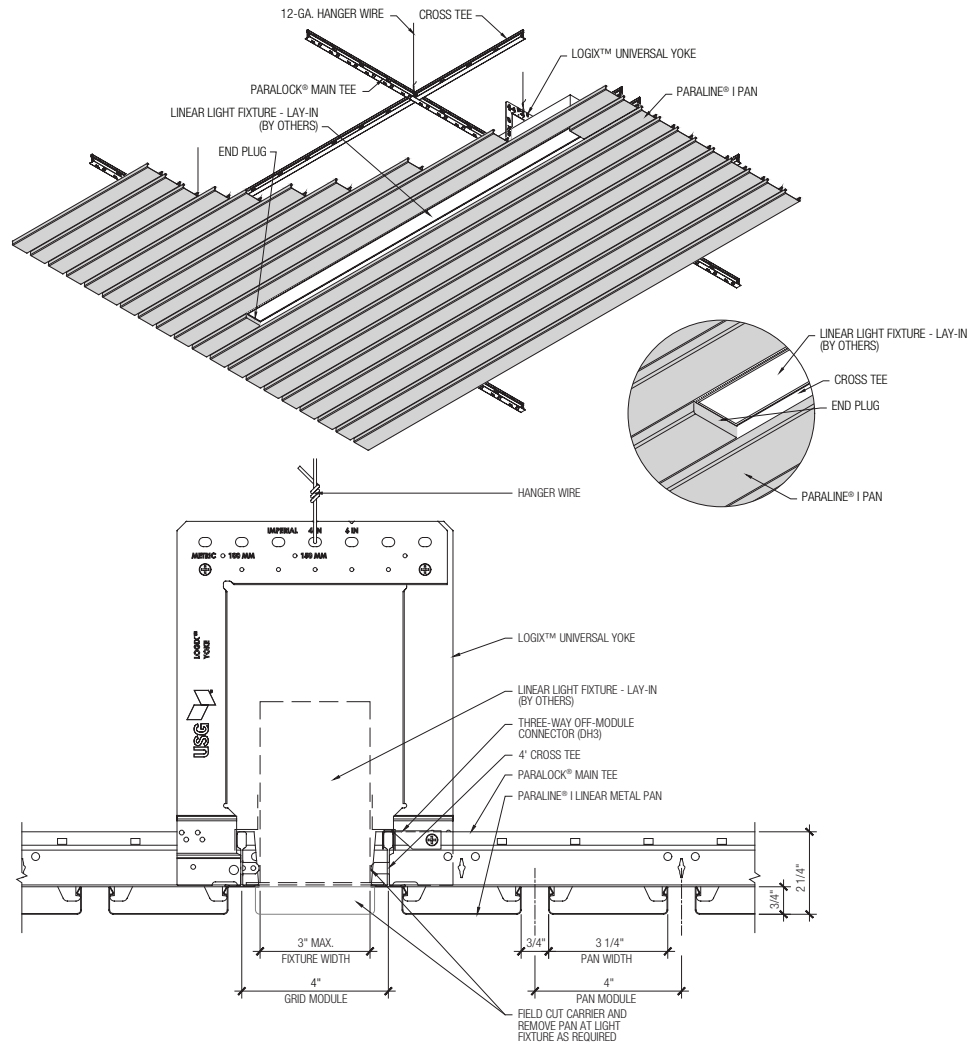


PARALINE® I & III ASSEMBLY

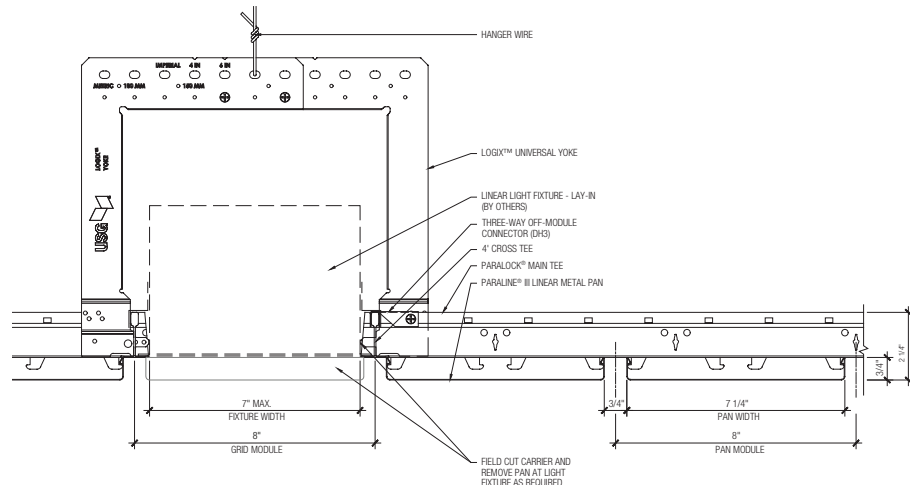
Paraline® I Features 3-1/4" wide pans with roll-finished edges. Assembled, the pans provide an open reveal for excellent sound control, using acoustical material in the plenum.

Paraline® III Features bolder 7-1/4" wide pans for larger-scale applications. Pans have a roll-finished edge to provide the same open reveal as Paraline® I.

Paraline® I with Lay-In Light Fixture

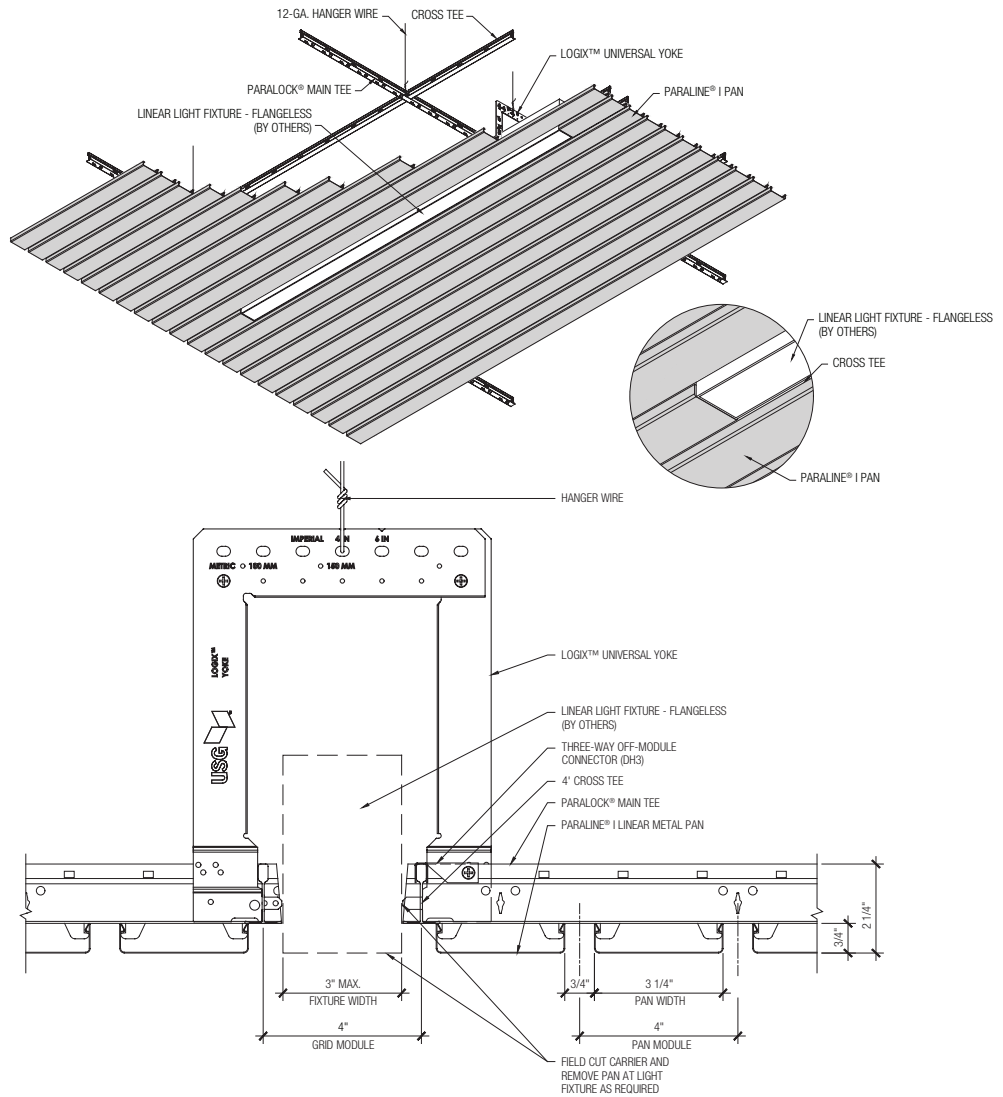


Paraline® III with Lay-In Light Fixture

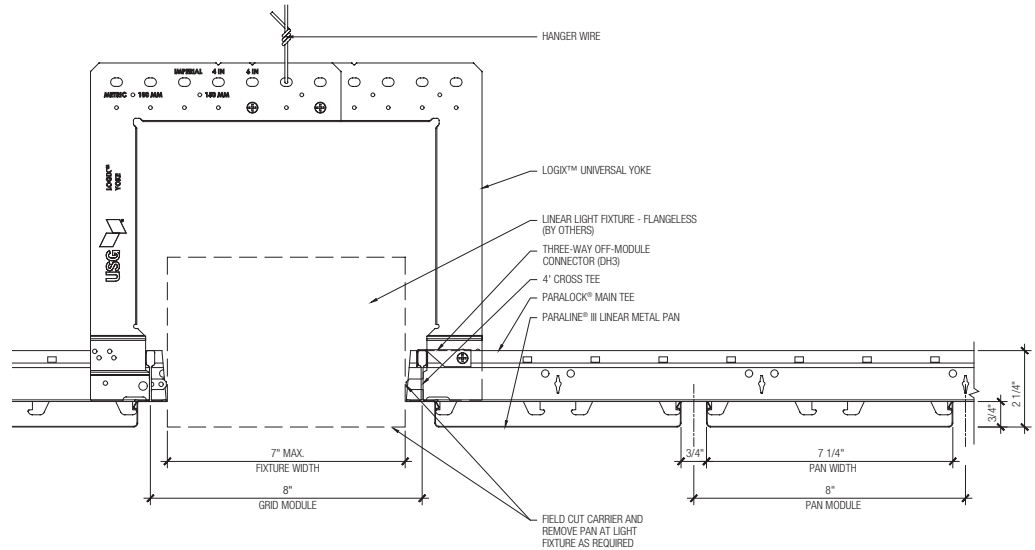


PARALINE® I & III ASSEMBLY

Paraline® I with Flangeless Light Fixture

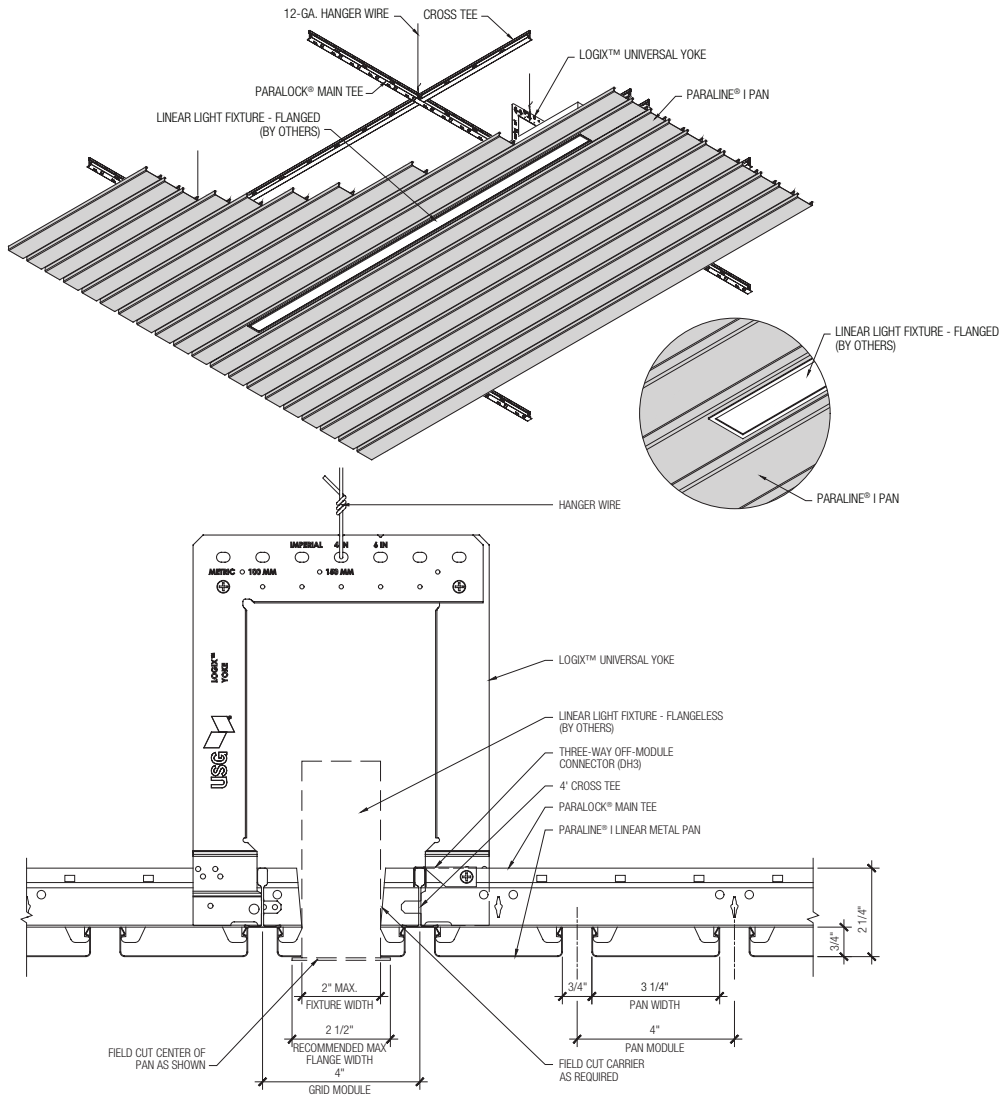


Paraline® III with Flangeless Light Fixture

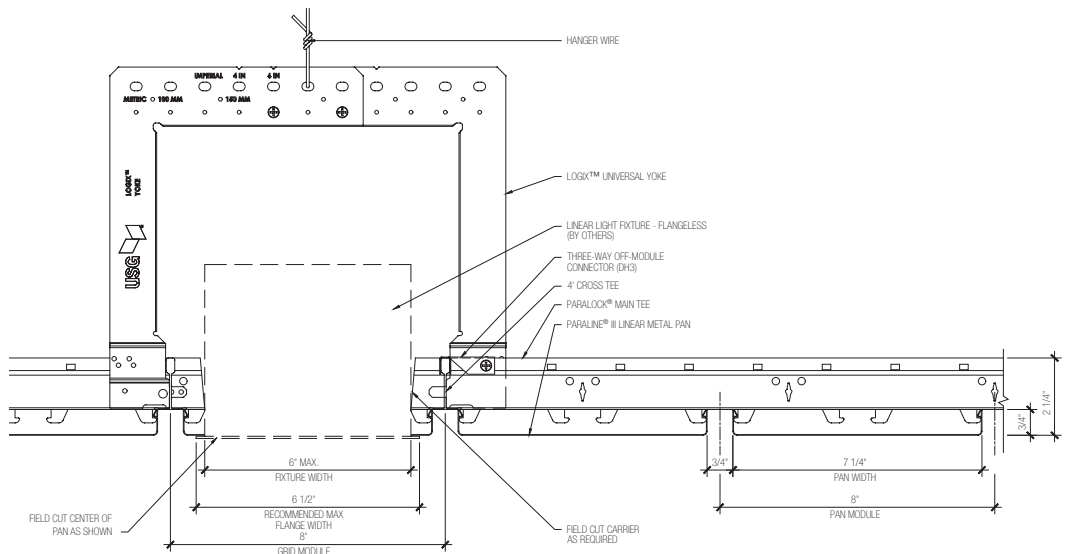


PARALINE® I & III ASSEMBLY

Paraline® I with Flanged Light Fixture - Variation 1

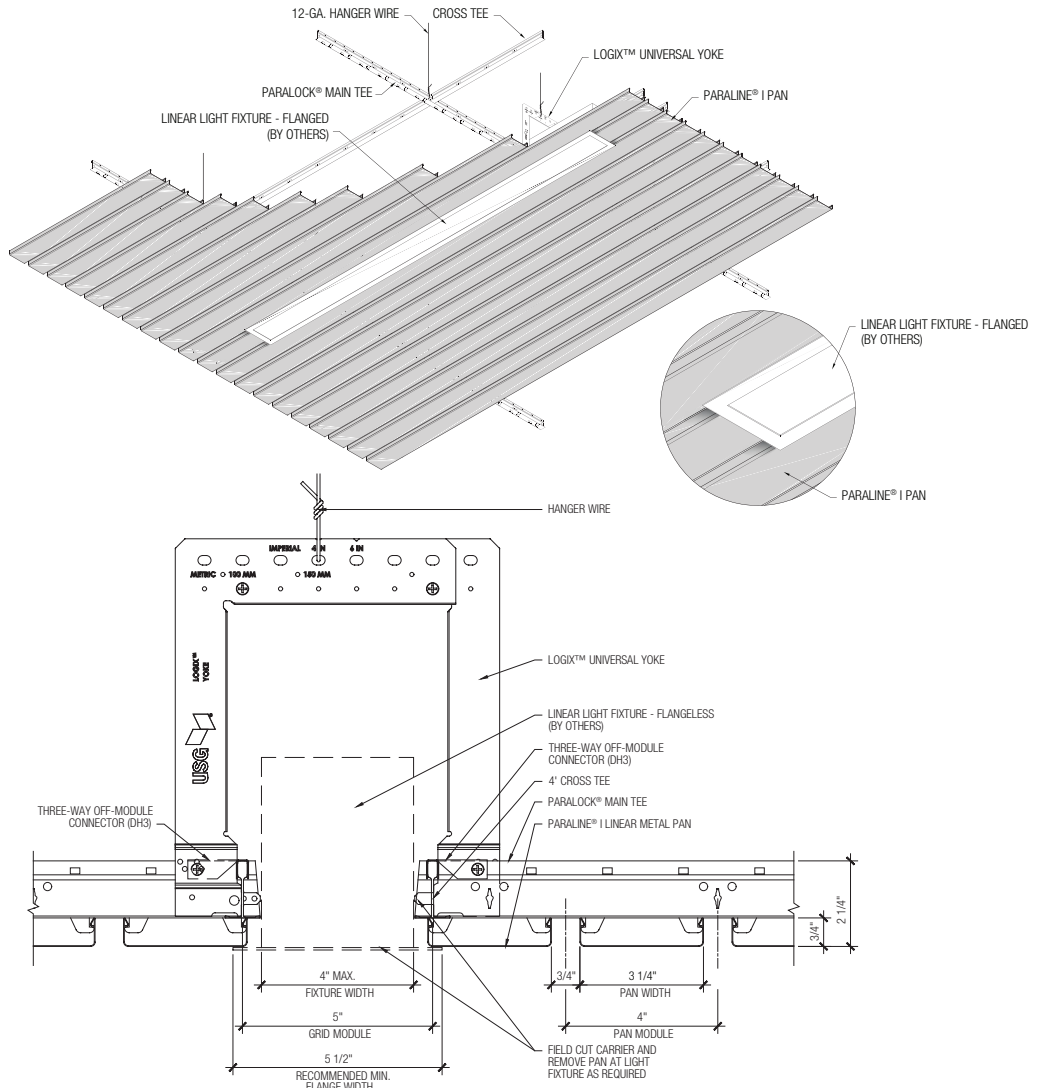


Paraline® III with Flanged Light Fixture - Variation 1

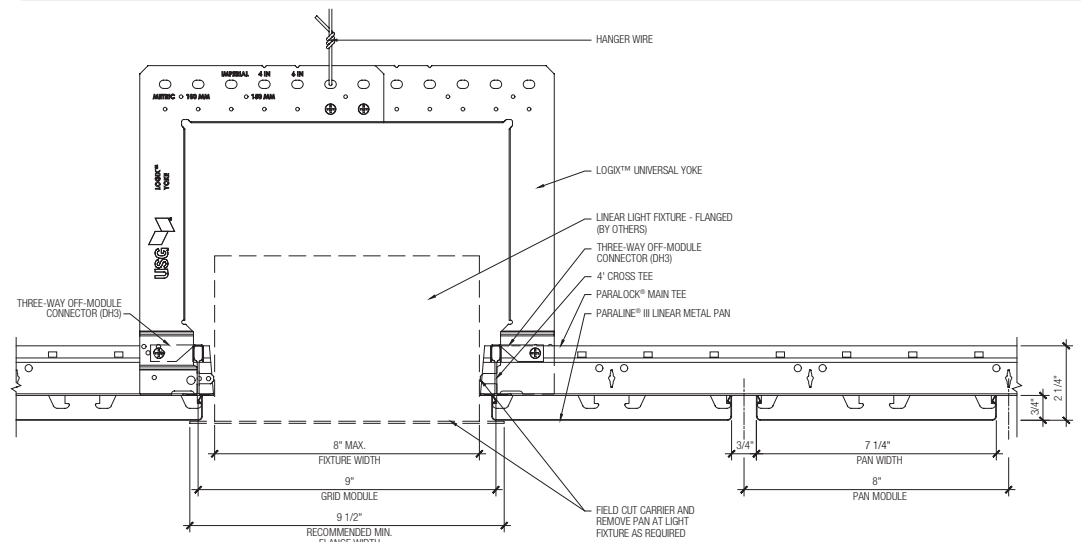


PARALINE® I & III ASSEMBLY

Paraline® I with Flanged Light Fixture - Variation 2



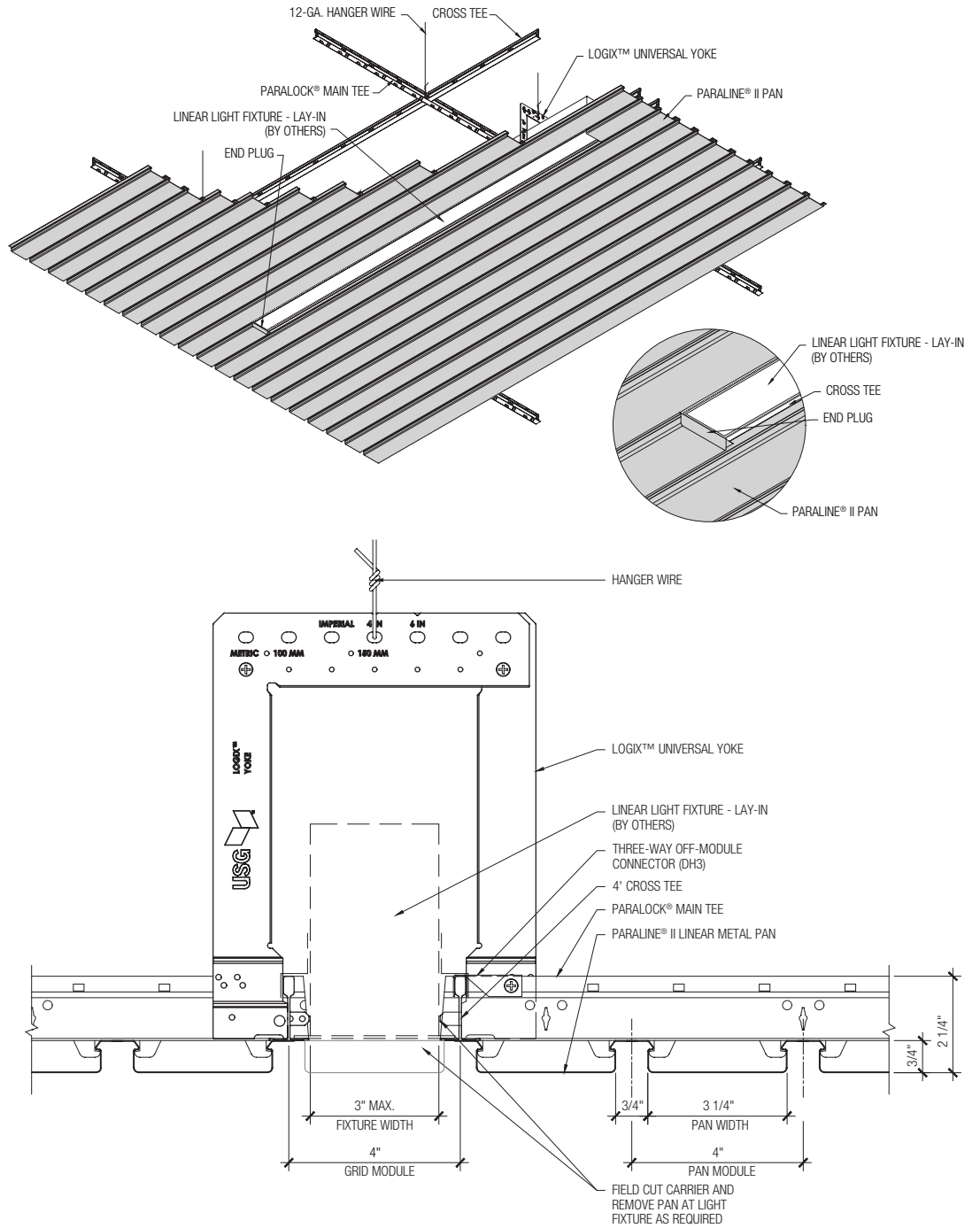
Paraline® III with Flanged Light Fixture - Variation 2



PARALINE® II ASSEMBLY

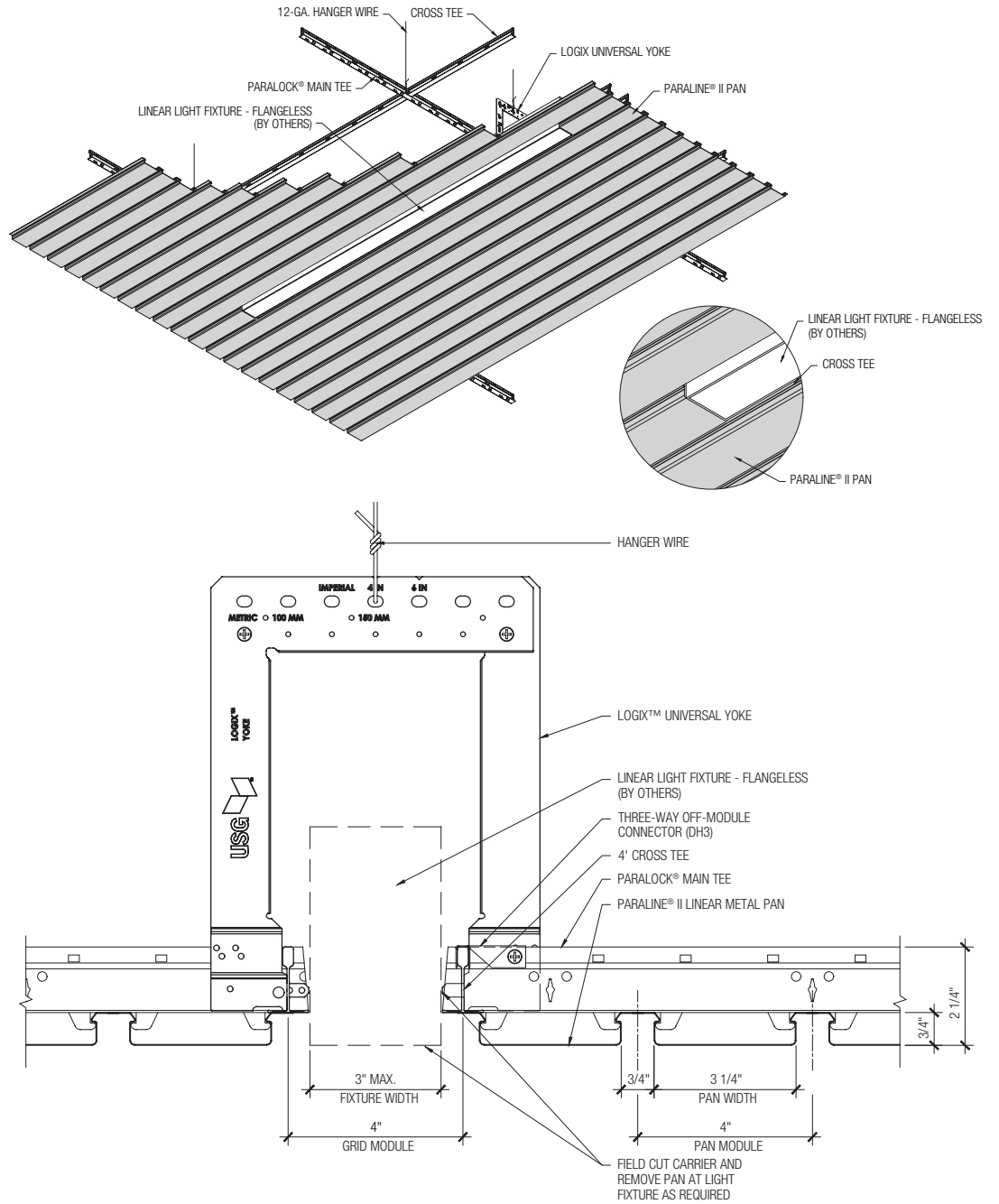
Paraline® II Pans are 3-1/4" wide with integral flanges that overlap to form a reveal closure appropriate for exterior soffit applications.

Paraline® II with Lay-In Light Fixture



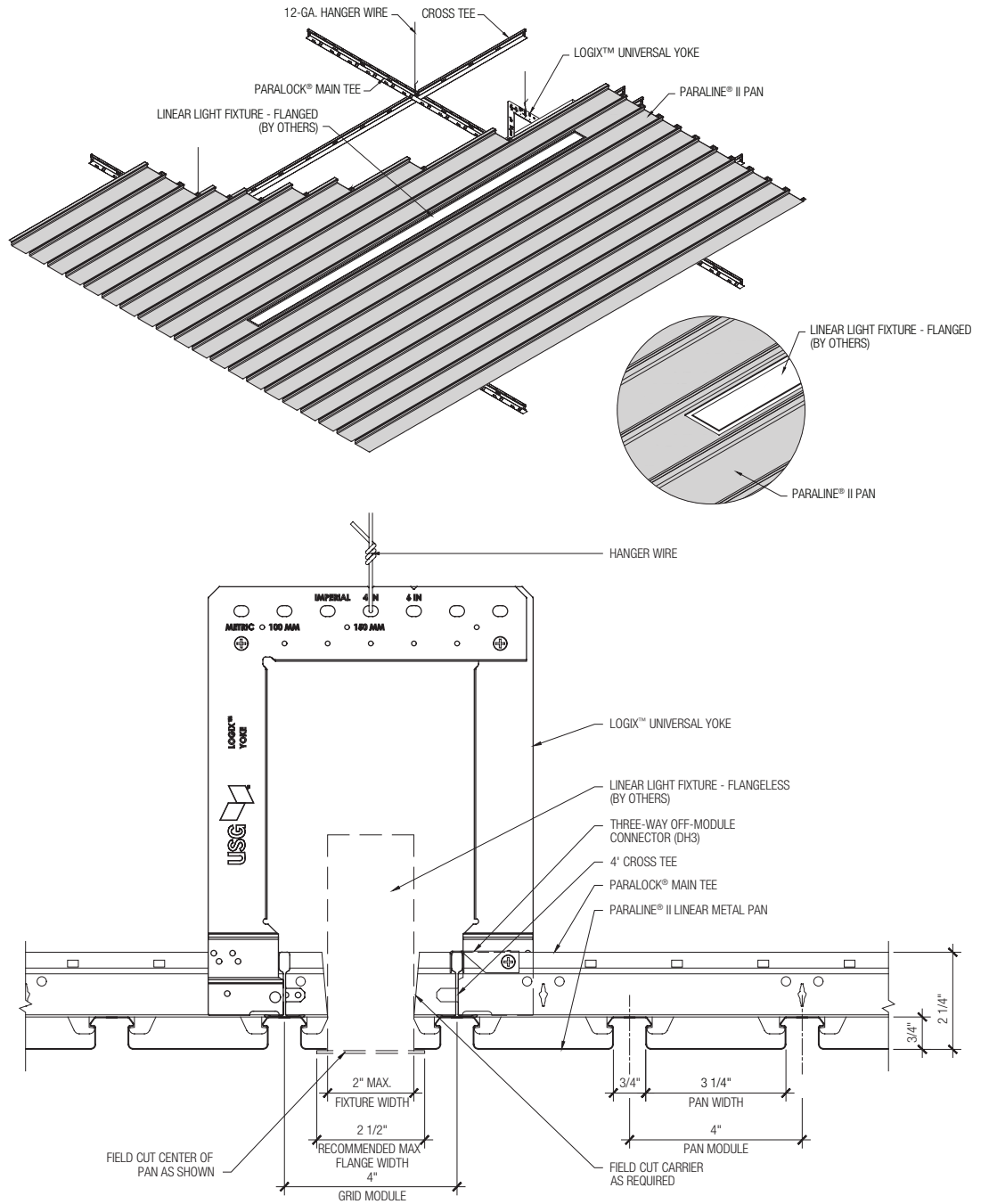
PARALINE® II ASSEMBLY

Paraline® II with Flangeless Light Fixture



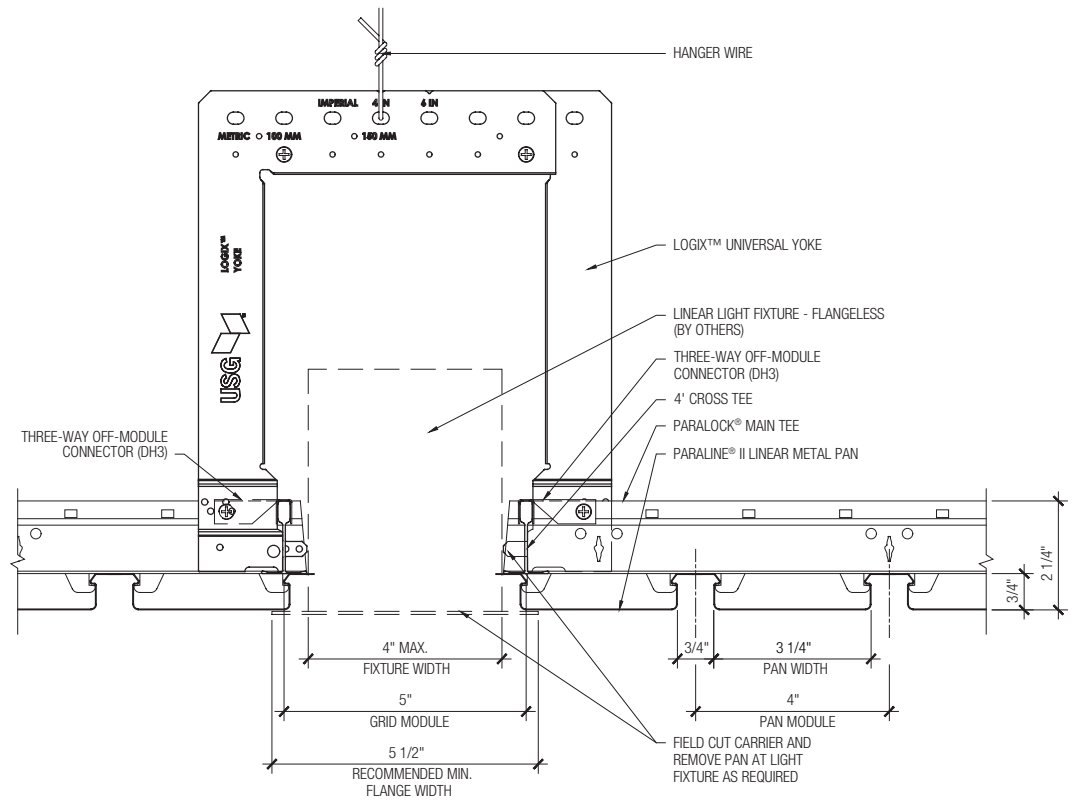
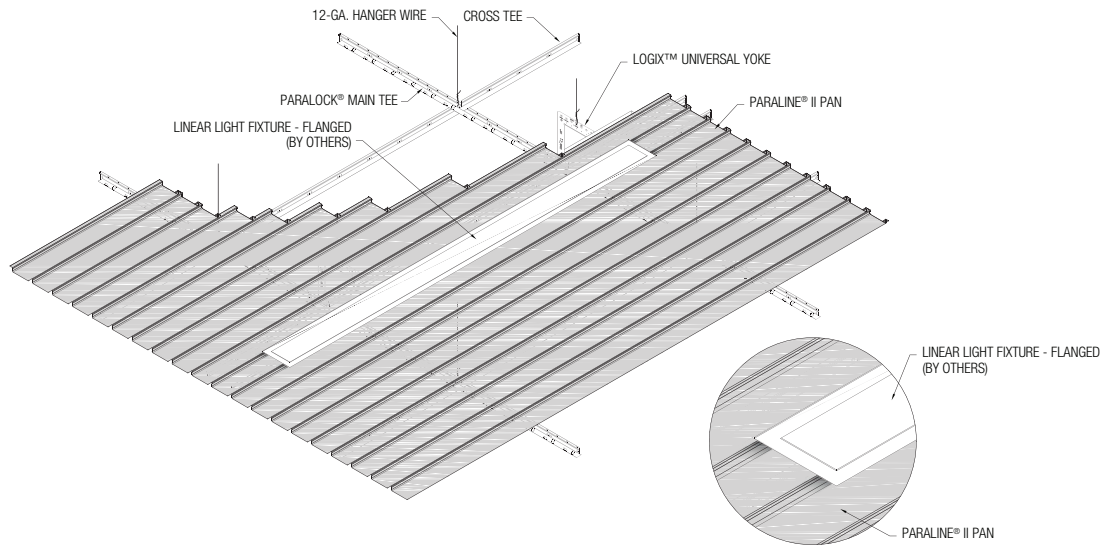
PARALINE® II ASSEMBLY

Paraline® II with Flanged Light Fixture - Variation 1



PARALINE® II ASSEMBLY

Paraline® II with Flanged Light Fixture - Variation 2



Technical Service
800 USG.4YOU

Website
usg.com

Samples/Literature E-mail
samplit@usg.com
866 528.7089

Customer Service
800 950.3839

IC274754/rev 11-21
© 2021, USG Corporation or its affiliates.
All rights reserved.

Notice
The information in this document is subject to change without notice. CGC Inc. or USG Corp. assumes no responsibility for any errors that may inadvertently appear in this document.

Manufactured by
USG Interiors, LLC
550 West Adams Street
Chicago, IL 60661

PRODUCT INFORMATION

See usg.com for the most up-to-date product information. Dimensions listed are for reference purposes only. Other factors including, but not limited to installation techniques and structural forces can affect suspension system dimensions and final fit of components.

INSTALLATION

Must be installed in compliance with ASTM C636, ASTM E580, CISCA, and standard industry practices.

CODE COMPLIANCE

The information presented is correct to the best of our knowledge at the date of issuance. Because codes continue to evolve, check with a local official prior to designing and installing a ceiling system. Other restrictions and exemptions may apply. This is only intended as a quick reference.

ICC EVALUATION SERVICE, INC., REPORT COMPLIANCE

Suspension systems manufactured by USG Interiors, Inc., have been reviewed and are approved by listing in ICC-ES Evaluation Report 1222. Evaluation Reports are subject to reexamination, revision and possible cancellation. Please refer to usg.com for current reports.

L.A. RESEARCH REPORT COMPLIANCE

Donn brand suspension systems manufactured by USG Interiors, Inc., have been reviewed and are approved by listing in the following L.A. Research Report number: 25764.

NOTICE

We shall not be liable for incidental and consequential damages, directly or indirectly sustained, nor for any loss caused by application of these goods not in accordance with current printed instructions or for other than the intended use. Our liability is expressly limited to replacement of defective goods. Any claim shall be deemed waived unless made in writing to us within thirty (30) days from date it was or reasonably should have been discovered.

SAFETY FIRST!

Follow good safety/industrial hygiene practices during installation. Wear appropriate personal protective equipment. Read SDS and literature before specification and installation.

TRADEMARK

The trademarks USG, CGC, DX, LOGIX, PARALINE, PARALOCK, IT'S YOUR WORLD BUILD IT, the USG/CGC logo, the design elements and color, and related marks are trademarks of USG Corporation or its affiliates. All rights reserved.