



# HOME SLICKER<sup>®</sup> STONE & STUCCO Application & Architectural Drawings

## For Manufactured Stone & Stucco Installations

Installation Instructions ..... Detail 06.20.01A

Top Detail ..... Detail 06.20.02A

Bottom Detail ..... Detail 06.20.03ABC

Corner Detail ..... Detail 06.20.04A

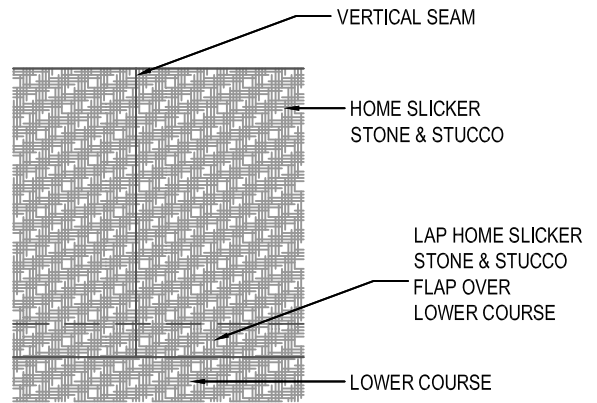
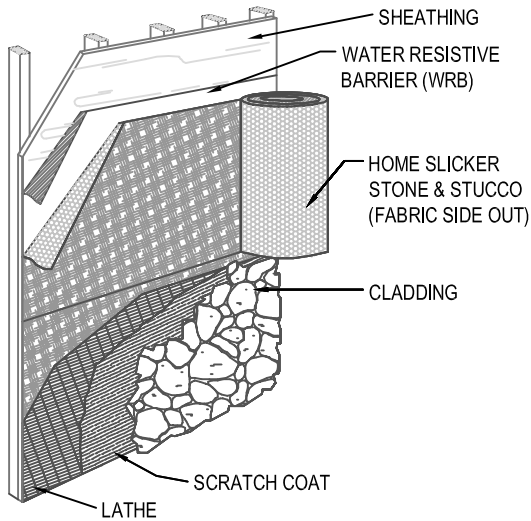
### Window Details:

Flanged Window with WRB Installed After the Window ..... Detail 06.20.05A

Non-Flanged Window with WRB Installed Before the Window ..... Detail 06.20.06A

Non-Flanged Window with WRB Installed After the Window ..... Detail 06.20.06B

# BENJAMIN OBDYKE



1. INSTALL SIDEWALL SHEATHING MATERIAL OVER STUDS. APPLY A WATER RESISTIVE BARRIER OVER WALL SHEATHING\*.
2. INSTALL HOME SLICKER AFTER WINDOWS AND DOORS ARE PROPERLY INSTALLED AND FLASHED. REFER TO WINDOW INSTALLATION FOR DETAILS ON FLASHING INTEGRATION. START AT THE BASE OF THE WALL AND ROLL OUT HOME SLICKER FROM LEFT TO RIGHT WITH THE FLAP DOWN AND THE FABRIC SIDE AGAINST THE CLADDING. ON THE BOTTOM COURSE ONLY, FOLD THE FLAP AROUND THE MATRIX AND TUCK IT AGAINST THE WATER RESISTIVE BARRIER TO PREVENT INSECTS FROM ENTERING THE CHANNELS. NAIL OR STAPLE (MIN. 1/2" STAPLE) EVERY THREE SQUARE FEET\*.

3. UNROLL THE NEXT COURSE IN THE SAME MANNER AS THE PREVIOUS COURSE. BUTT THE EDGES OF NEW ROLLS OR COURSES OF HOME SLICKER TOGETHER WITHOUT OVERLAPPING. PULL THE FLAP OVER THE PREVIOUS COURSE (SHINGLE STYLE) AND STAPLE.

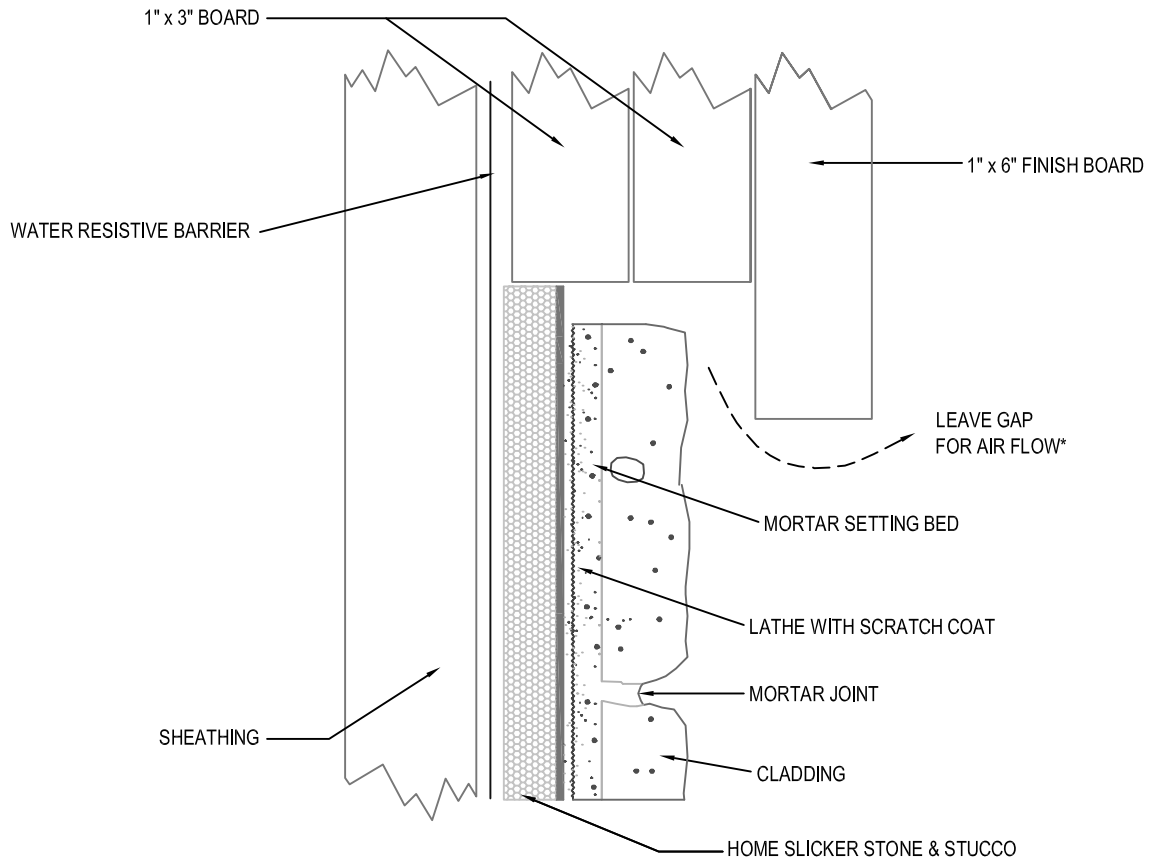
4. APPLY LATHE AND CLADDING OVER HOME SLICKER PER MANUFACTURERS' INSTALLATION INSTRUCTIONS. ALLOW FOR THICKNESS OF HOME SLICKER IN FASTENER SELECTION\*.

\*GENERAL NOTES:

1. SOME REGIONS MAY REQUIRE TWO LAYERS OF WATER RESISTIVE BARRIER FOR STONE OR STUCCO APPLICATIONS. REFER TO LOCAL CODES FOR MORE INFORMATION.
2. ALL FASTENERS MUST BE APPROVED CORROSION-RESISTANT FASTENERS ( STAINLESS-STEEL, HOT-DIPPED ZINC-COATED, ALUMINUM, ETC.). REFER TO LOCAL CODES FOR MORE INFORMATION.
3. LATHE FASTENERS MUST PROVIDE SUFFICIENT PENETRATION INTO WOOD FRAMING (MIN. 1"), METAL FRAMING/PANELS (MIN 3/8"), OR MASONRY WALLS/PANELS. REFER TO MANUFACTURERS' INSTALLATION INSTRUCTIONS AND LOCAL CODES FOR MORE INFORMATION.

INSTALLATION INSTRUCTIONS	HOME SLICKER® STONE & STUCCO			NTS	DETAIL HSST 06.20.01A
	BENJAMIN OBDYKE INCORPORATED 400 BABYLON ROAD, SUITE A HORSHAM, PA 19044 - 1213	TOLL FREE: 1-800-523-5261 PHONE: (215) 672-7200 FAX: (215) 672-5204	www.benjaminobdyke.com www.homeslicker.com	SEPT 2008	

# BENJAMIN OBDYKE

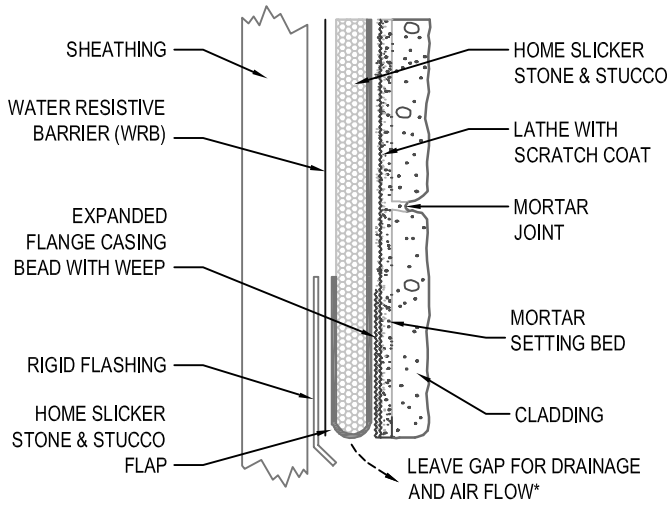


RUN HOME SLICKER TO WITHIN 3" OF SOFFIT OVERHANG. INSTALL TWO 1" x 3" BOARDS (AS DETAILED IN DRAWING) IN SPACE BETWEEN TOP OF HOME SLICKER AND BOTTOM OF SOFFIT. INSTALL CLADDING TO WITHIN 4" OF SOFFIT OVERHANG. INSTALL A 1" x 6" FINISH TRIM BOARD OVER THE 1" x 3" BOARDS. THIS WILL ALLOW FOR AIR MOVEMENT, WHICH WILL PROVIDE CONVECTIVE DRYING AND VENTILATION BEHIND THE CLADDING.

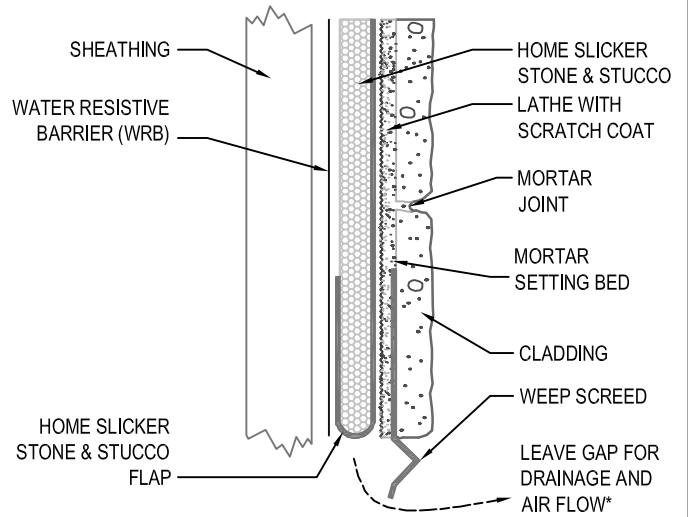
\*NOTE: LEAVE AT LEAST A 1/4" GAP AT TOP OPENING FOR HOME SLICKER STONE & STUCCO.

TOP DETAIL	<b>HOME SLICKER<sup>®</sup> STONE &amp; STUCCO</b>			NTS	DETAIL HSST 06.20.02A
	BENJAMIN OBDYKE INCORPORATED 400 BABYLON ROAD, SUITE A HORSHAM, PA 19044 - 1213	TOLL FREE: 1-800-523-5261 PHONE: (215) 672-7200 FAX: (215) 672-5204	www.benjaminobdyke.com www.homeslicker.com	SEPT 2008	

# BENJAMIN OBDYKE



DETAIL A: RIGID FLASHING

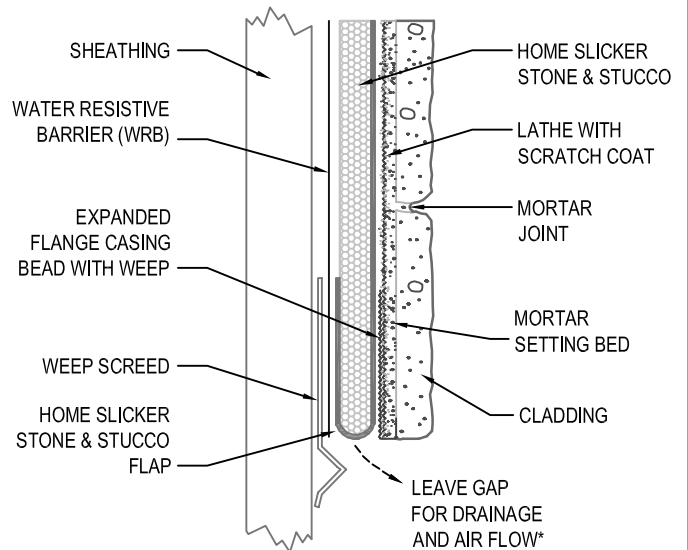


DETAIL B: WEEP SCREED ALTERNATE

## BOTTOM DETAIL

TO PREVENT INSECT INFILTRATION ALONG BOTTOM EDGE OF CLADDING, FOLD THE FLAP AROUND THE MATRIX AND TUCK IT AGAINST THE WATER RESISTIVE BARRIER. TO ENSURE PROPER DRAINAGE AND VENTILATION LEAVE A 1/4" GAP AT THE BOTTOM OPENING AND INCORPORATE A WEEP SYSTEM (THREE TYPICAL DETAILS SHOWN).

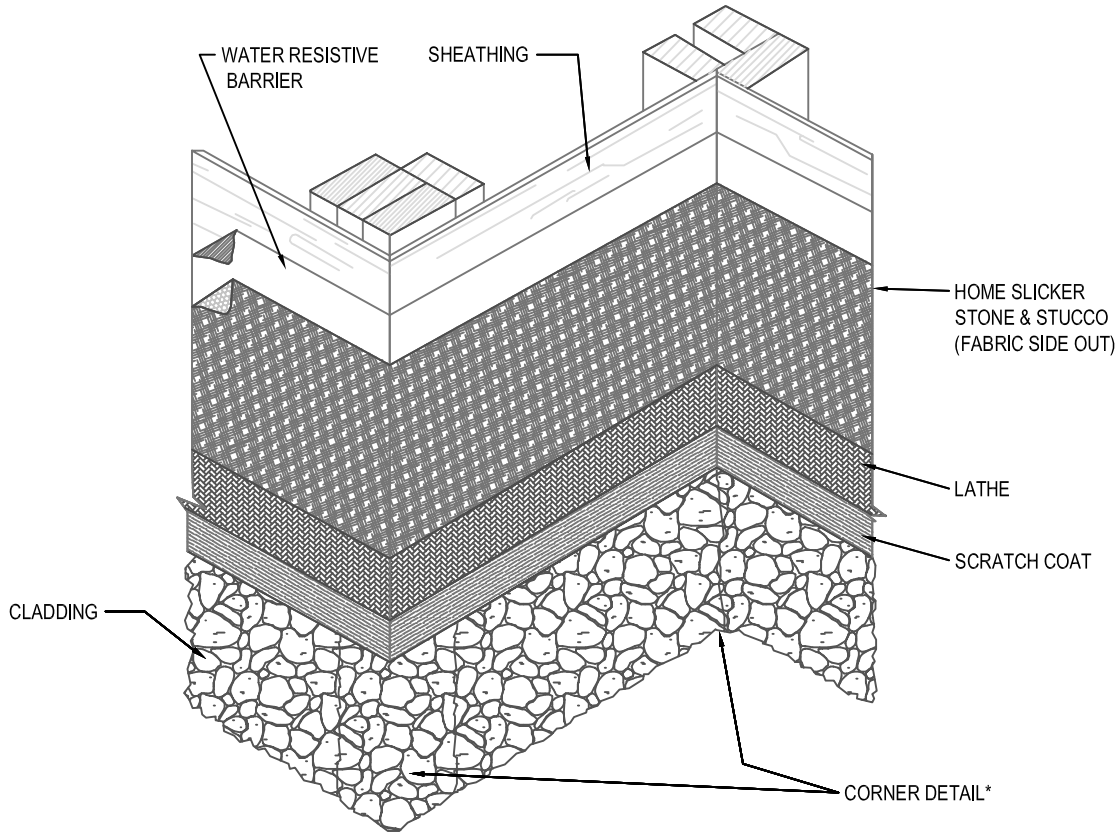
\*NOTE: LEAVE A 1/4" GAP AT BOTTOM OPENING.



DETAIL C: WEEP SCREED WITH CASING BEAD

BOTTOM DETAIL ABC	<b>HOME SLICKER® STONE &amp; STUCCO</b>			NTS	DETAIL HSST 06.20.03ABC
	BENJAMIN OBDYKE INCORPORATED 400 BABYLON ROAD, SUITE A HORSHAM, PA 19044 - 1213	TOLL FREE: 1-800-523-5261 PHONE: (215) 672-7200 FAX: (215) 672-5204	www.benjaminobdyke.com www.homeslicker.com	SEPT 2008	

# BENJAMIN OBDYKE



\*APPLY HOME SLICKER AROUND INSIDE AND OUTSIDE CORNERS WHEN INSTALLING WITH MANUFACTURED STONE AND STUCCO CORNER MATERIALS.

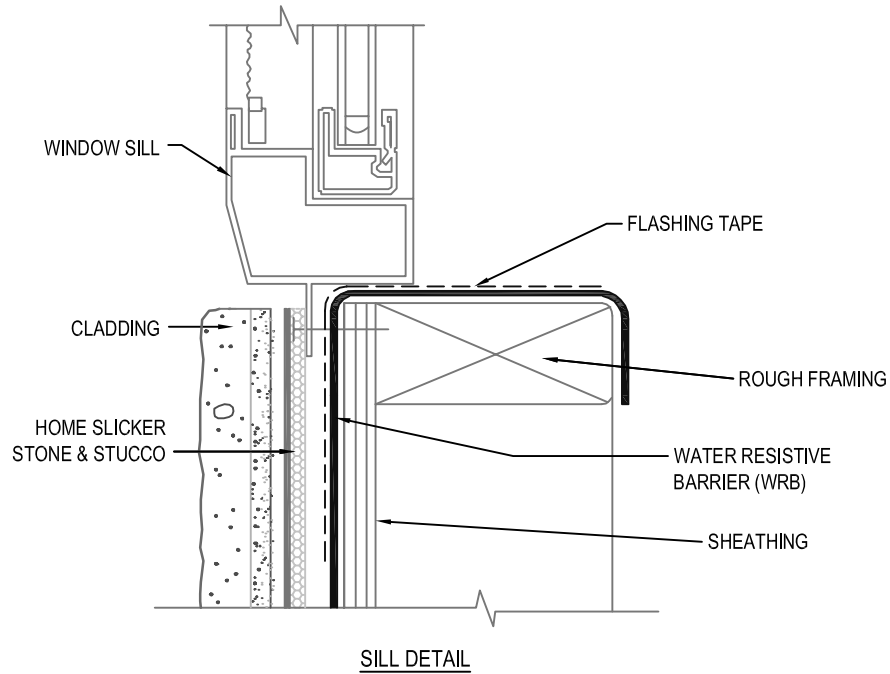
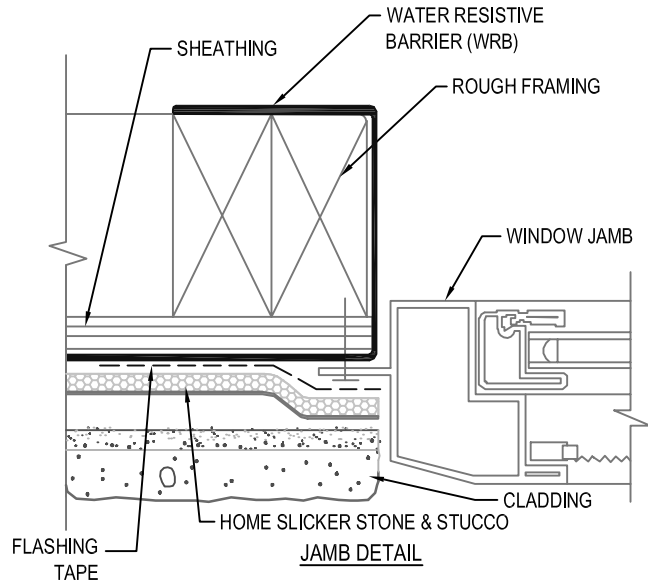
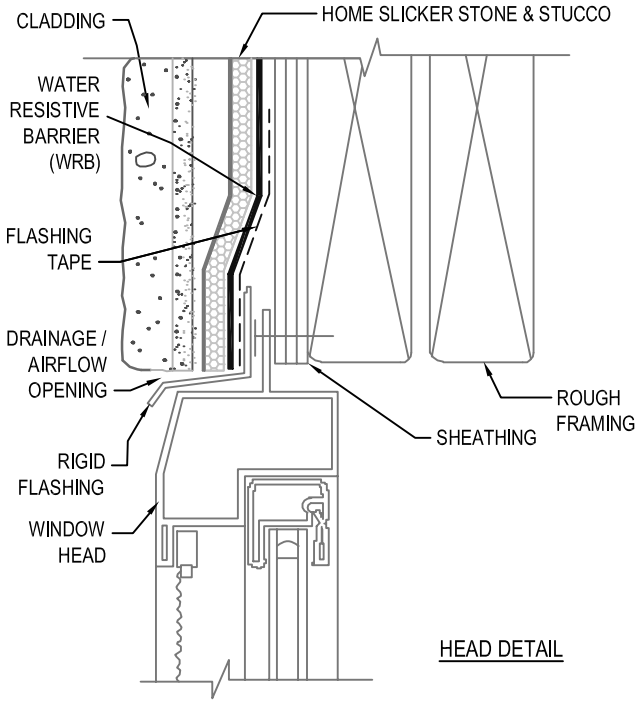
ALTERNATIVELY, HOME SLICKER MAY ALSO BE INSTALLED WITH CORNER TRIM BOARDS. WITH THIS INSTALLATION, EITHER APPLY TRIM BOARDS DIRECTLY TO THE OUTSIDE AND INSIDE CORNERS, ACCOUNTING FOR HOME SLICKER'S THICKNESS OF 1/4", OR APPLY HOME SLICKER AROUND THE OUTSIDE AND INSIDE CORNERS AND APPLY TRIM BOARDS DIRECTLY ON TOP OF HOME SLICKER.

NOTES:

1. INSTALLATION TO BE COMPLETED IN ACCORDANCE WITH MANUFACTURER'S SPECIFICATIONS.
2. PRIOR TO THE HOME SLICKER INSTALLATION, INSTALL SIDEWALL SHEATHING MATERIAL OVER WALL STUDS AND APPLY HOUSEWRAP OR BUILDING PAPER PER MANUFACTURER'S INSTRUCTIONS; SOME REGIONS MAY REQUIRE TWO LAYERS OF WATER RESISTIVE BARRIER FOR STONE OR STUCCO APPLICATIONS. REFER TO LOCAL CODES FOR MORE INFORMATION.

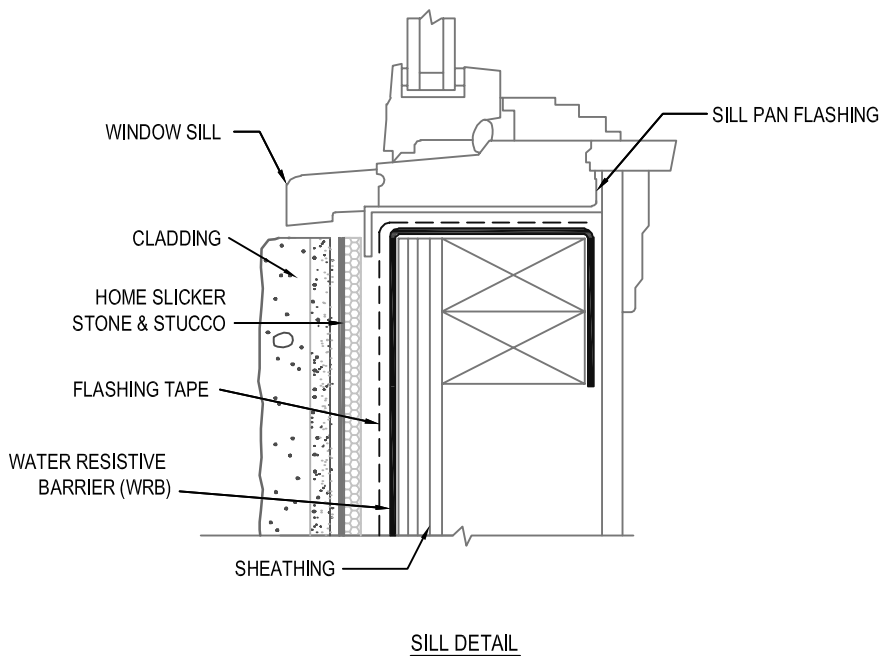
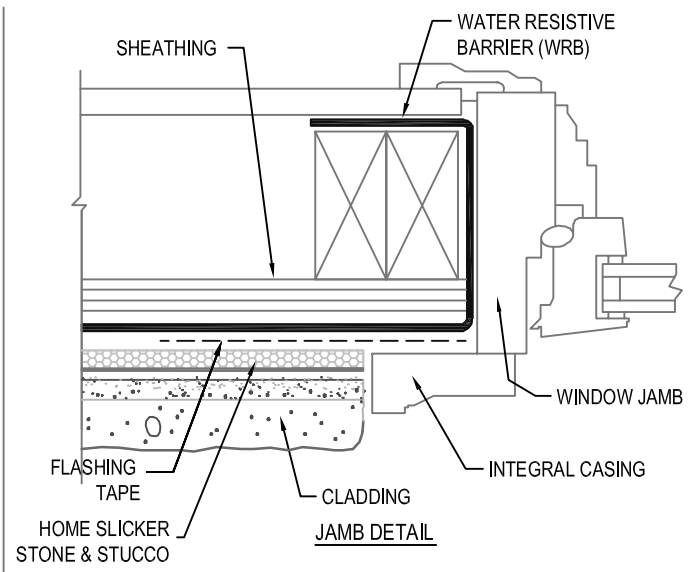
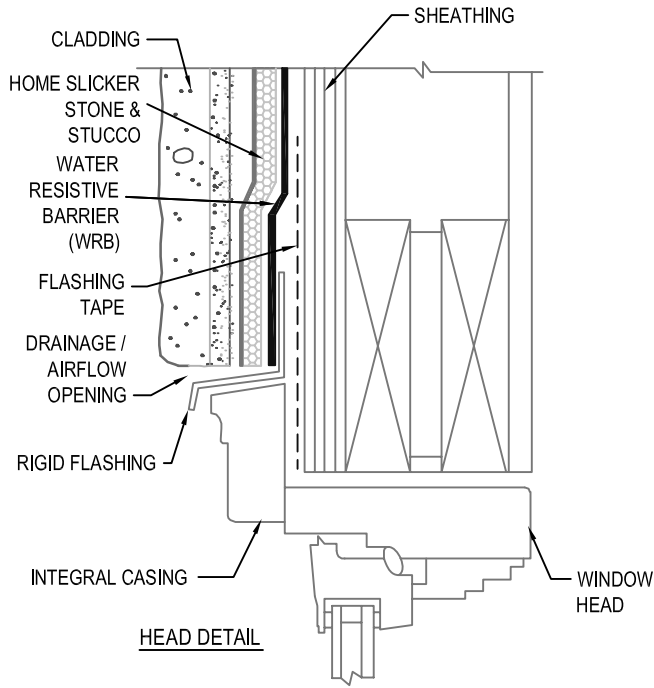
CORNER DETAIL	<b>HOME SLICKER® STONE &amp; STUCCO</b>			NTS	DETAIL HSST 06.20.04A
	BENJAMIN OBDYKE INCORPORATED 400 BABYLON ROAD, SUITE A HORSHAM, PA 19044 - 1213	TOLL FREE: 1-800-523-5261 PHONE: (215) 672-7200 FAX: (215) 672-5204	www.benjaminobdyke.com www.homeslicker.com	SEPT 2008	

# BENJAMIN OBDYKE



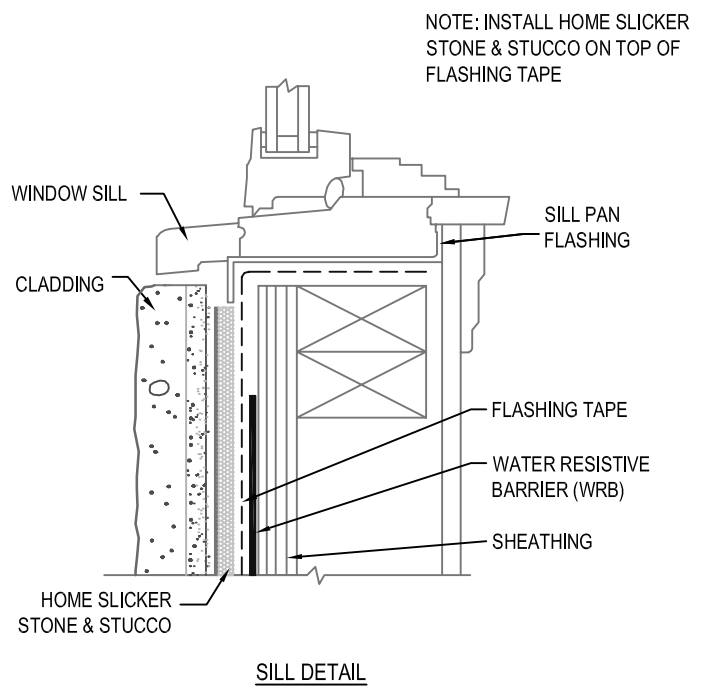
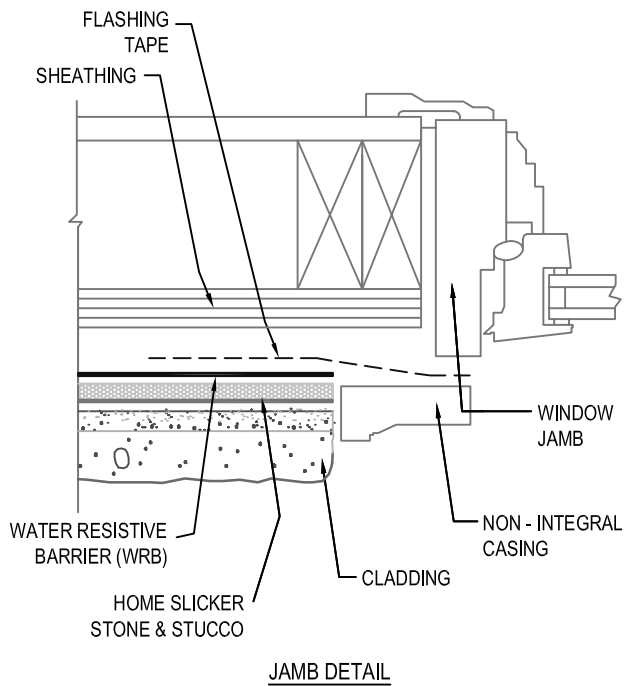
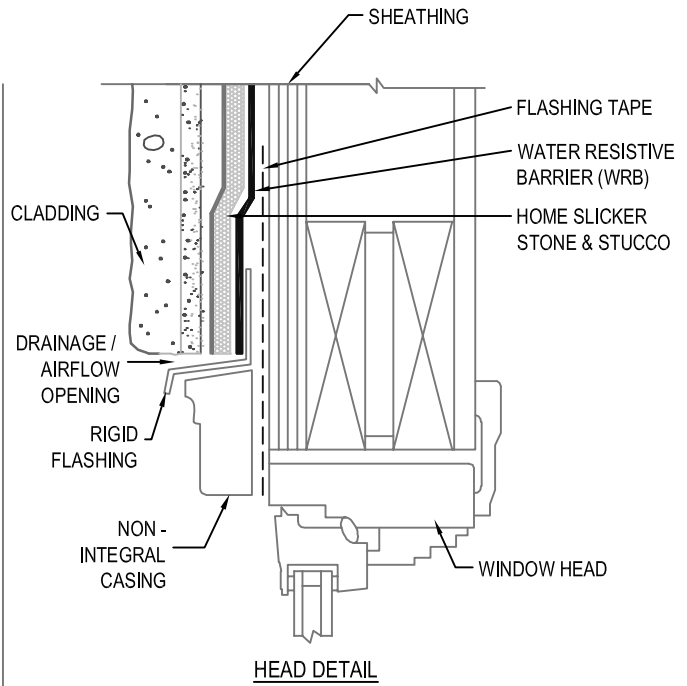
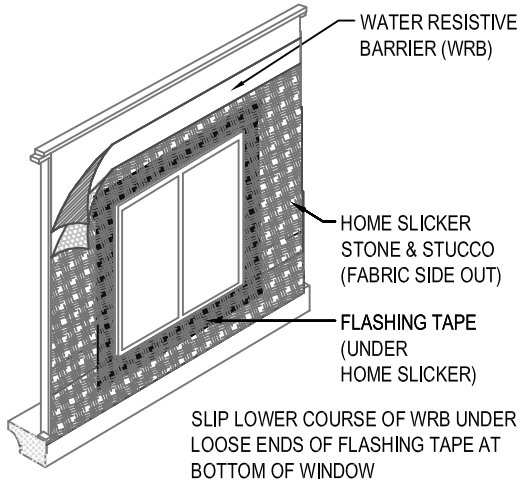
FLANGED WINDOW WRB INSTALLED BEFORE WINDOW	<b>HOME SLICKER® STONE &amp; STUCCO</b>			NTS	DETAIL HSST 06.20.05A
	BENJAMIN OBDYKE INCORPORATED 400 BABYLON ROAD, SUITE A HORSHAM, PA 19044 - 1213	TOLL FREE: 1-800-523-5261 PHONE: (215) 672-7200 FAX: (215) 672-5204	www.benjaminobdyke.com www.homeslicker.com	SEPT 2008	

# BENJAMIN OBDYKE



NON-FLANGED WINDOW WRB INSTALLED BEFORE WINDOW	<b>HOME SLICKER® STONE &amp; STUCCO</b>			NTS	DETAIL HSST 06.20.06A
	BENJAMIN OBDYKE INCORPORATED 400 BABYLON ROAD, SUITE A HORSHAM, PA 19044 - 1213	TOLL FREE: 1-800-523-5261 PHONE: (215) 672-7200 FAX: (215) 672-5204	www.benjaminobdyke.com www.homeslicker.com	SEPT 2008	

# BENJAMIN OBDYKE



NON-FLANGED WINDOW WRB INSTALLED AFTER WINDOW	<b>HOME SLICKER® STONE &amp; STUCCO</b>			NTS	DETAIL HSST 06.20.06B
	BENJAMIN OBDYKE INCORPORATED 400 BABYLON ROAD, SUITE A HORSHAM, PA 19044 - 1213	TOLL FREE: 1-800-523-5261 PHONE: (215) 672-7200 FAX: (215) 672-5204	www.benjaminobdyke.com www.homeslicker.com	SEPT 2008	