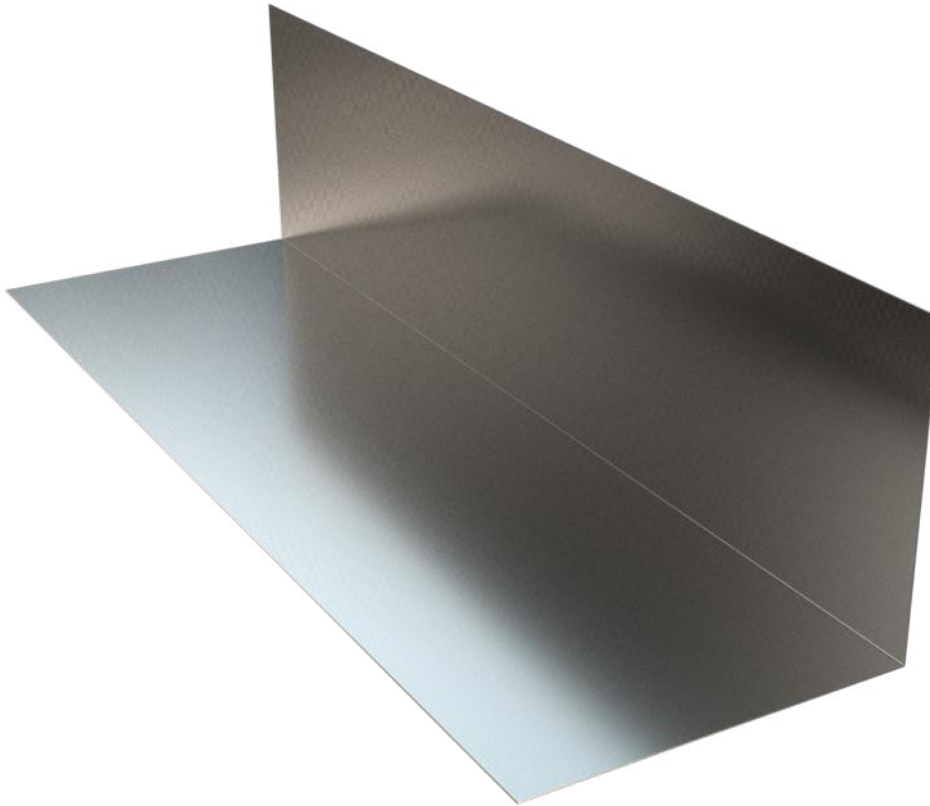


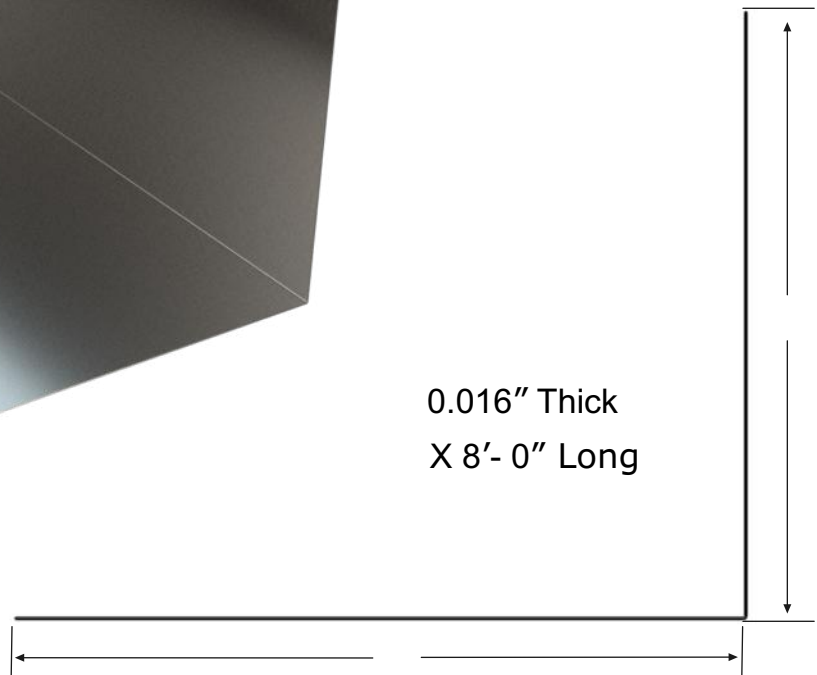
# PRODUCT SUBMITTAL

WIRE-BOND

## JAMB FLASHING ST. ST.



0.016" Thick  
X 8'- 0" Long



Quantity:

MATERIAL CONFORMANCE	SIZES / FINISHES
<p><b>SHEET METAL:</b> Stainless Steel Type 304: ASTM A240/A240M, ASTM A666, ASTM A480/A480M (Type 316 available on special orders)</p> <p><b>Steel Products (flats) Recycled Content:</b> Stainless Steel, 60% Post Consumer V O C Content - 0%</p>	<p><b>CUSTOM STAINLESS STEEL FLASHING:</b> 0.016" Thick X 8'- 0" Long</p> <p><b>FINISH:</b> Stainless Steel Type 304: ASTM A240/A240M, ASTM A666, ASTM A480/A480M</p>

Corporate Office: 400 Rountree Rd Charlotte, NC 28217  
TEL: (800) 849-6722 FAX: (704) 525-3761  
Mailing Address: P.O. Box 240988 Charlotte, NC 28224



Memphis Plant: 2365 Harbor Ave. Memphis, TN 38113  
TEL: (800) 441-8359 FAX: (901) 775-9449  
Mailing Address: P.O. Box 13124 Memphis, TN 38113